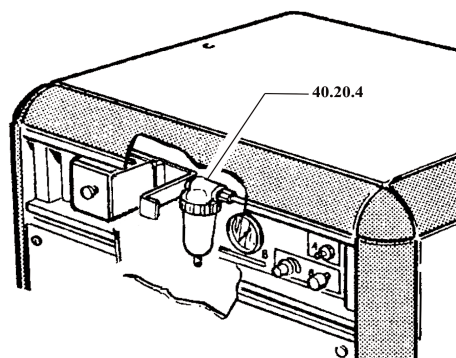
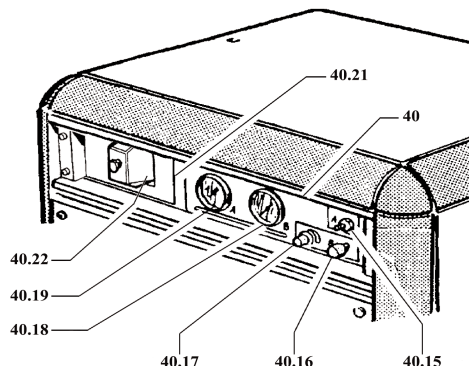


ITEM	PART NO	DESCRIPTION
2	SH17300140	Fastening Cover
3	SH10701560	Motor
4	SH1420050B	Base, Motor-Pump
8	SH13500740	Motor Pulley
9	SH1630005A	Air Outlet
10	SH12300160	Shock Absorber
11	SH13900320	V-Belt
12	SH31004680	Fly Wheel
13	SH16500190	Foot Adjustable
15	SH12300320	Safety Locks
17	SH12300460	Grille
18	SH12300540	Rear Cover
19	SHK170790S	Pump
20	SH12300500	Top Cover
24	SH14301290	Delivery Tube
25	SH12300260	Side Cover
27	SH36500140	Sight Glass
28	SH14401570	Retaining Valve
29	SH36500110	Oil Drain
30	SH14401350	Safety Valve
31	SH11901660	Air Tank
32	SH16500230	Shock Absorber
33	SH3650030A	Breather Oil Filter
36	SH17300570	Screw
37	SH1230052A	Front Cover
40	SH12300440	Control Board
40.15	SH15300240	Air Outlet, Direct
40.16	SH15300240	Air Outlet, Regulated
40.17	SH13000100	Pressure Regulator
40.18	SH15000010	Gauge, Regulated Air
40.19	SH15000010	Gauge, Direct Air
40.20.4	SH16200030	Separator
40.21	SH12304120	Fastening Plate

ITEM	PART NO	DESCRIPTION
40.22	SH12800800	Pressure switch
44	SH35646460	Air Filter
44.1	SH35602930	Filter Cover
44.2	SH35602940	Filter Cartridge
44.3	SH35602950	Filter Casing
44.4	SH37305190	Tension Rod
44.5	SH37400450	Nut
45	SH14300950	Air Hose



Issue: 1
 Issue Date: 090408

NOTE: It is our policy to continually improve products and as such we reserve the right to alter data, specifications and component parts without prior notice.

IMPORTANT: No liability is accepted for incorrect use of product.

WARRANTY: Guarantee is 12 months from purchase date, proof of which will be required for any claim.

INFORMATION: For a copy of our latest catalogue and promotions call us on 01284 757525 and leave your full name and address, including postcode.