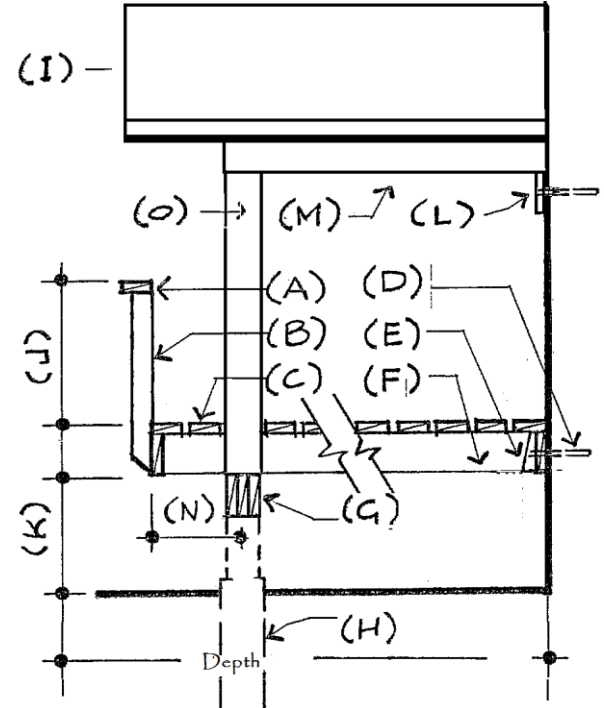


Information	Name	
	Address	
	Phone#	
	Email	

SIZE	Deck A	Width		Depth	
	Deck B	Width		Depth	
	Deck C	Width		Depth	

**NOTES:**

- If your deck has multiple sizes and/or levels provide detailed drawings.
- Beams must be nailed together, set on top of the posts & secured with a metal bracket
- Decks Greater than 24" from ground and greater than 32 sq. ft. require Piles or Piers (H)
- Piles for decks supporting a roof be 12" x 12"



Area	Item	Description (fill in below)	
Deck Details	A	Railing Type: e.g.: Spindle, Glass, Metal:	
	B	Spacing between Balusters or edge of glass:	Maximum spacing 4" (100mm) on center
	J	Railing Height: 36", if >6' above ground 42":	
	C	Decking Type: e.g.: 2x6, 5/4 treated, Vinyl,:	
	D	Anchorage to the house or foundation:	Require 1/2" Bolts or lags 32" on center or better
	E	Joist hangers: Are Required:	Unless joists have 1 1/2 solid bearing below
	F	Joist Type: e.g. 2x6, 2x8 2x10, Spruce or Fir:	
	G(deck)	Beam Type: e.g. 2x6, 2x8 2x10, Spruce or Fir:	
	G(deck)	Beam Plies: 2-ply, 3-ply 1-ply not allowed:	
	M(roof)	Beam Type: e.g. 2x6, 2x8 2x10, Spruce or Fir:	
	M(roof)	Beam Plies: 2-ply, 3-ply 1-ply not allowed:	
	L	Attachment of roof to the Existing house:	
	N	Maximum Cantilever: Joists and Beams:	
	O	Post type(minimum post size is 6x6 for roof):	
	O	Spacing between Posts: e.g. 8'0":	
	K	Height bottom of joists to the ground:	
	H	PIERS: Pier Type: e.g. 12" Concrete:	
	H	PIERS: Depth of Pier: minimum 48":	
	H	PIERS: Pad Size: :e.g. 24x24x6":	
H	PILES: Pile size and depth (see note below):		
H	PILES: Screw Piles: Type, Depth and Brand:		
I	Roof System: e.g. Roof Trusses 24" o/c:		
I	Rafters: Type, Size, Spacing e.g. 2x4@24"o/c:		