



100 Dewsbury Road  
 Elland, W. Yorks, HX5 9BG  
 Tel: 01422 324830  
 Fax: 01422 372503  
 Email: sales@rjmobility.com



# PRESCRIBER FORM

FOR: **BARRETT CRYSTAL**

Issue: 11

01/12




Invoice To: \_\_\_\_\_

Order No: \_\_\_\_\_

Client/User Ref: \_\_\_\_\_

Delivery required by: \_\_\_\_\_

Delivery address if different from above: \_\_\_\_\_

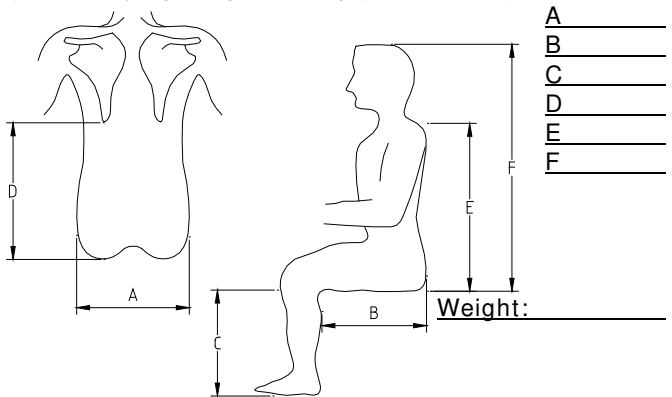
Seat size	W X D	tick	(overall width)
	14 X 17	<input type="checkbox"/>	(21")
	15 X 17	<input type="checkbox"/>	(22")
	16 x 17	<input type="checkbox"/>	(23")
	17 X 17	<input type="checkbox"/>	(24")
	18 x 17	<input type="checkbox"/>	(25")
* Other	[ ] X [ ]	<input type="checkbox"/>	W £
(Widths from 14" to 20" available)			D £
Armrest height from seat	9"	<input type="checkbox"/>	
* Special armrest height	[ ]	<input type="checkbox"/>	£
* Wide profile armrests		<input type="checkbox"/>	£
Backrest height from seat	17.5"	<input type="checkbox"/>	
* Special backrest height	[ ]	<input type="checkbox"/>	£
<b>Backrest Options</b>			
	100° to seat	<input type="checkbox"/>	
	90° to seat	<input type="checkbox"/>	
	8L/9L style	<input type="checkbox"/>	
* Other	..... ° to seat	<input type="checkbox"/>	£
* Adjustable	90° -135° to seat	<input type="checkbox"/>	£
* Fixed Backrest (non folding)		<input type="checkbox"/>	£
Seat to footrest distance	12"-16"	<input type="checkbox"/>	Tick
* Special short footrest	4" shorter	<input type="checkbox"/>	£
* Angle adjustable footplates		<input type="checkbox"/>	£
Seat to ground height	f19.5"-r18.5"	<input type="checkbox"/>	Tick
* Seat to ground height f [ ] r [ ]		<input type="checkbox"/>	£ _____
* 18.5" <input type="checkbox"/> 20.5" <input type="checkbox"/> 21.5" <input type="checkbox"/> 22.5" <input type="checkbox"/>			£ _____
Frame colour	Black <input type="checkbox"/> .....	<input type="checkbox"/>	
<input type="checkbox"/>	Standard user control VR2 -----RH <input type="checkbox"/> LH <input type="checkbox"/>		
<input type="checkbox"/>	* Pilot Plus		£
<input type="checkbox"/>	* Dual		£
<input type="checkbox"/>	* Attendant		£
<input type="checkbox"/>	* DL Controller		£
<input type="checkbox"/>	* DX Controller		£
<input type="checkbox"/>	* T-bar joystick		£
<input type="checkbox"/>	* Golf ball joystick		£
<input type="checkbox"/>	* Chin control		£
<input type="checkbox"/>	* Tray mounted control		£
* = Upcharge Option (see price list)			

### OPTIONS & ACCESSORIES

- \* Adjustable calf strap £
- \* Adjustable waist belt £
- \* Removable contoured seating £
- \* Cushion 2" or 3" thick [ ] £
- \* Detachable backrest/headrest extension £
- 6"  9"  12"
- \* Armrest outrigger kit £
- \* Elevating legrest LH  RH  £
- \* Stump support LH  RH  £
- \* Footboard extension 5"  9"  £
- \* Detachable tray £
- \* Domestic armrests £
- \* Brake lever extension £
- \* Pneumatic castors £

### Client/User Dimension Details

(Max carrying weight 114Kg (18st/252 lb))



### Special requests/comments

\_\_\_\_\_

\_\_\_\_\_

\_\_\_\_\_

Signature: \_\_\_\_\_ Date: \_\_\_\_\_

Name: \_\_\_\_\_ Title: \_\_\_\_\_

Basic Price: £ \_\_\_\_\_ + Upcharge £ \_\_\_\_\_

ex VAT Total Cost £ \_\_\_\_\_