



# Barrier-Free™ Examination Table

For models:  
622  
623



## User's Guide



SF-1882  
003-1593-00 (Rev D)

# Owner's Product Identification

*(The information below is required when calling for service)*

**Model Number:**

**Serial Number:**

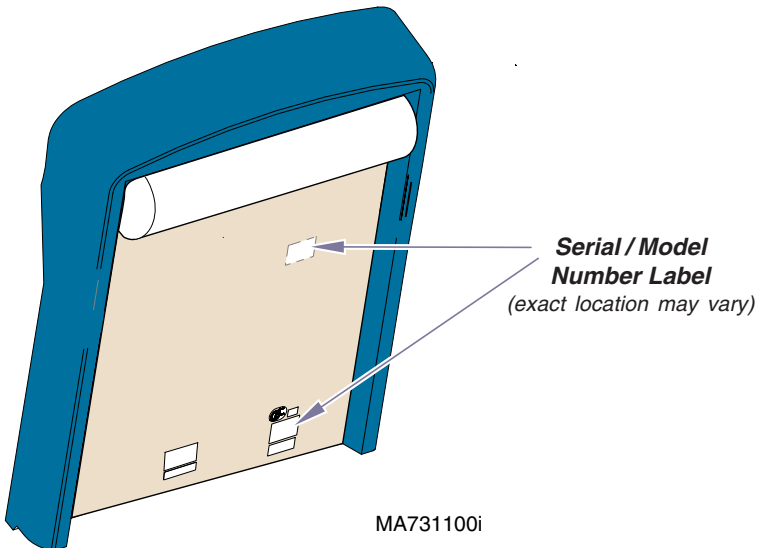
**Date of Purchase:**

**Name of Owner / Facility:**

**Name of Dealer:**

**Dealer's Phone Number:**

**Midmark Authorized Service Company:**



MA731100i

# Table of Contents

## Important Information

Safety Symbols .....	2
Transportation / Storage Conditions .....	2
Intended Use .....	3
Electrical Requirements .....	3
Electromagnetic Interference .....	3
Authorized CE Representative .....	3
Disposal of Equipment .....	3
Safety Instructions .....	4

## Operation

Table Up / Down Operation .....	5
Back Section Operation:	
622 .....	6
623 .....	7
Home Function - 623 only .....	8
Exam Assistant™ Drawer System .....	9
Paper Roll & Tear Straps .....	10
Stirrups .....	11
Footrest & Treatment Pan .....	12
Drawer Heater ( <i>optional</i> ) .....	12
Upholstery Heater ( <i>optional</i> ) .....	13
Pelvic Tilt ( <i>optional</i> ) .....	14
Duplex Receptacle ( <i>optional</i> ) .....	15

## Maintenance

Cleaning .....	16
Preventative Maintenance .....	16
Calling for Service .....	16

## Specifications

Weights, Dimensions, Electrical Specifications .....	17
Regulatory Compliance Chart:	
622 / 623 .....	18
Range of Motion & Dimensions .....	19

## Warranty Information

Limited Warranty .....	20
------------------------	----

# Important Information

## Safety Symbols



### Caution

Indicates a potentially hazardous situation which could result in injury if not avoided.



### Equipment Alert

Indicates a potentially hazardous situation which could result in equipment damage if not avoided.

### Note

Amplifies a procedure, practice, or condition.



Consult User Guide for important information.



Keep dry



Proper shipping orientation



Maximum stacking height (palletted units)



Fragile



Fuse rating specification



Type B, Applied Part



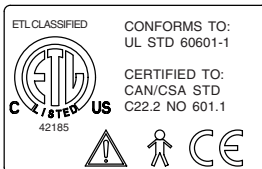
Dangerous voltage / shock hazard



Protective earth ground



Duty Cycle (motor run time):  
30 seconds ON, 5 minutes OFF



This product has been evaluated with respect to electrical shock, fire & mechanical hazards only, in accordance with UL60601-1 and CAN/CSA C22.2 NO. 601.1.

## Transportation / Storage Conditions

Ambient Temperature Range: .....+5°C to +38°C (+41°F to 100°F)

Relative Humidity ..... 10% to 90% (non-condensing)

Atmospheric Pressure ..... 500hPa to 1060hPa (0.49atm to 1.05atm)

## ***Intended Use***

This product is intended to be used as a chair / table to provide positioning and support of patients during general examinations and procedures conducted by qualified medical professionals.

## ***Electrical Requirements***



### **Caution**

When using high frequency surgical devices or endocardial catheters:

- Use non-conductive material to insulate patient from metal portions of the table.
- Consult operating instructions for the device before using in conjunction with drawer or upholstery heater.

Failure to comply may result in electric shock or burns to patient.

## ***Electromagnetic Interference***

This Midmark table is designed and built to minimize electromagnetic interference with other devices. However, if interference is noticed between another device and this table:

- Remove interfering device from room
- Plug table into an isolated circuit
- Increase separation between table and interfering device
- Contact Midmark if interference persists

Electromagnetic Compliance Statements per EN60601-1-2 are available online:

Go to: [www.documark.com](http://www.documark.com) (Use the **FIND** feature to locate: **077-0501-00**)

## ***Authorized CE Representative***

Countries in the EEC should direct all questions, incidents, and complaints to Midmark's Authorized CE representative listed below:

Promotal  
22, Rue De St. Denis  
53500 Ernee,  
FRANCE  
Phone: 33-2-430-517-76  
Fax: 33-2-430-569-10

## ***Disposal of Equipment***

At the end of product life, the table, accessories, and other consumable goods may become contaminated from normal use. Consult local codes and ordinances for proper disposal of equipment, accessories and other consumable goods.

## Safety Instructions



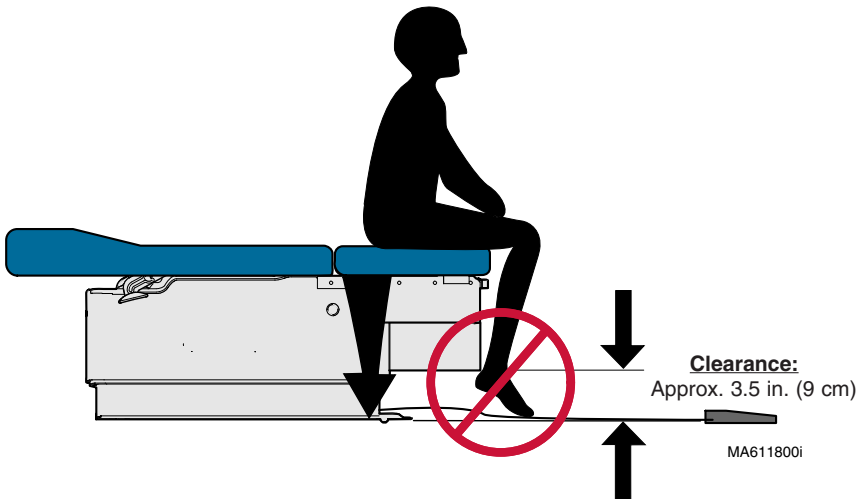
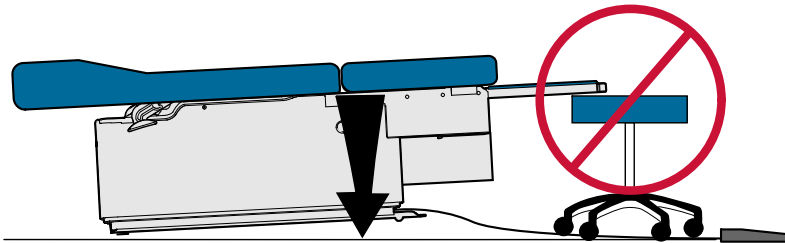
### Caution

Be sure that all personnel and equipment are clear of the table before activating any function. Failure to do so could result in personal injury.

At the table's lowest height [18 in. (45.7 cm)], the clearance between the bottom of the drawer and the floor is approximately 3.5 in. (9 cm). Make sure patient (*esp. feet*) and all objects are clear of this area before lowering table.

If the table malfunctions, immediately release foot pedal, unplug the table power cord, and assist the patient from the table. If table continues to malfunction, call for service.

Failure to comply with these instructions may result in injury to patient and/or damage to equipment.



# Operation

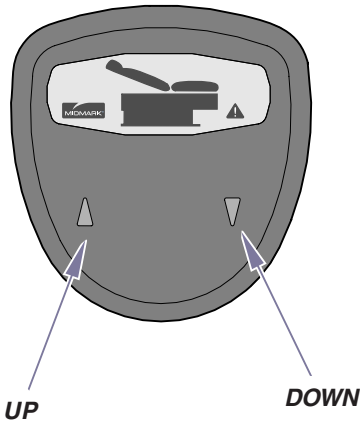
## Table Up / Down Operation

### Note

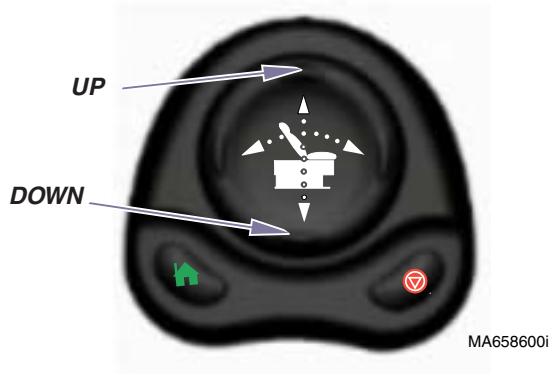
The table automatically stops at its maximum and minimum height.

*To move the table Up or Down...  
Press and hold the appropriate button.*

**622**



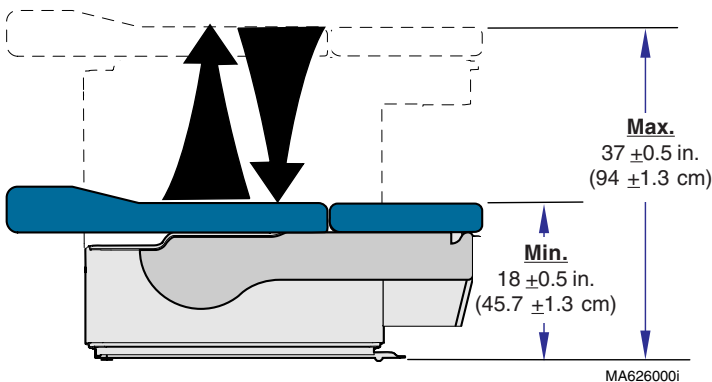
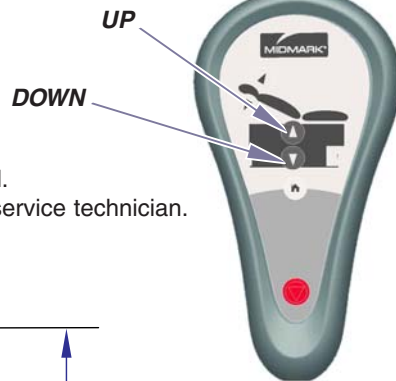
**623**



### Equipment Alert

If the table's weight limit is exceeded, you will hear a "beep" and the function will be disabled.

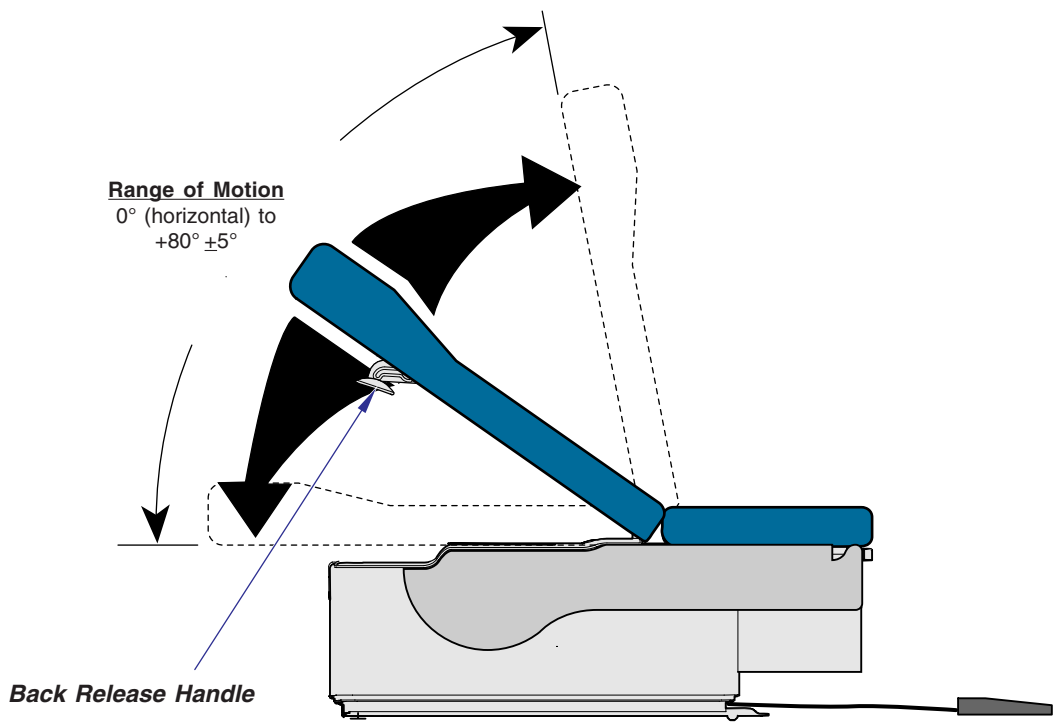
If the problem occurs with a normal load, contact your service technician.



## **Back Section Operation - 622**

### **To position the back section...**

- A. Squeeze the Back Release Handle (either side).**
- B. Move the back section.**
- C. Release handle to lock back section in position.**



MA6003011



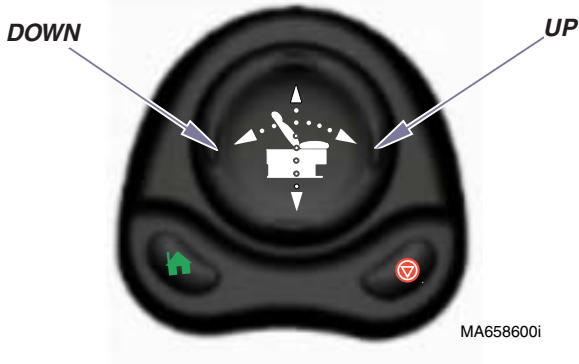
## Back Section Operation - 623

### Note

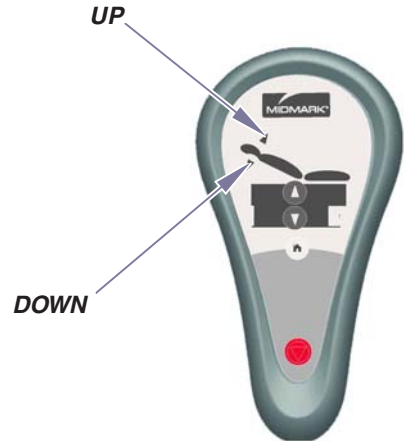
The back section automatically stops at the top and bottom of its travel.

### To position the back section...

Press and hold the appropriate button.



MA658600i

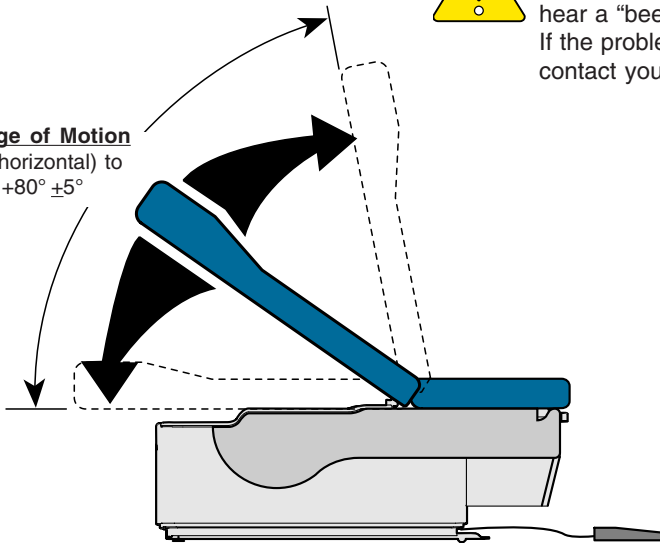


### Equipment Alert

If the table's weight limit is exceeded, you will hear a "beep" and the function will be disabled. If the problem occurs with a normal load, contact your service technician.

### Range of Motion

0° (horizontal) to  
+80° ±5°



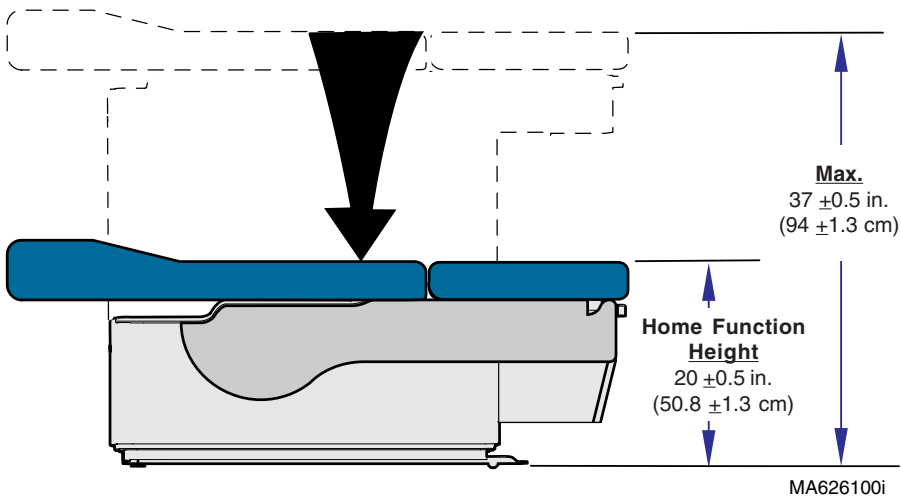
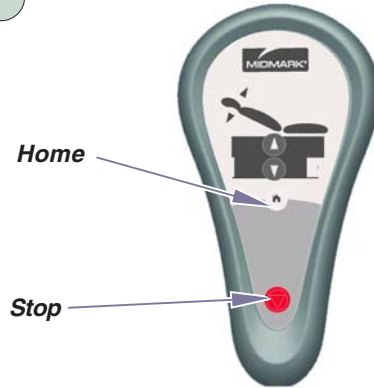
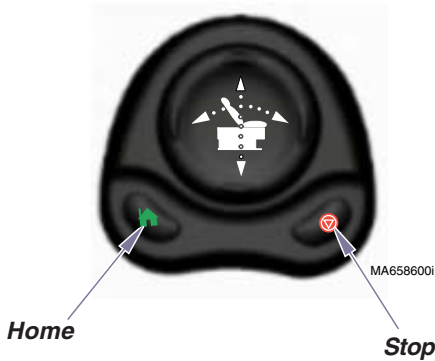
MA626200i

## Home Function - 623 only

### Note

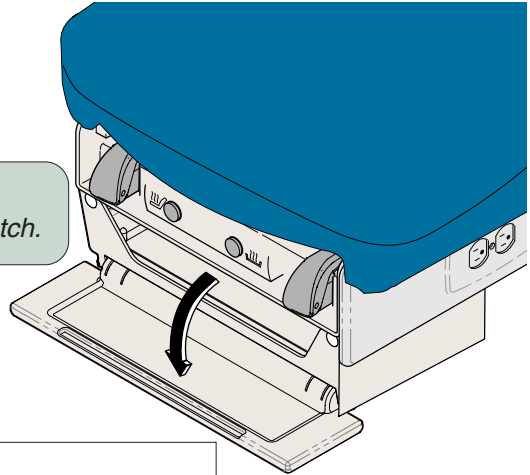
The Home Function automatically lowers the table to 20" (50.8 cm). Press the Stop button at anytime to stop movement.

**To activate the Home Function...**  
Press and release the Home button.



# Exam Assistant™ Drawer System

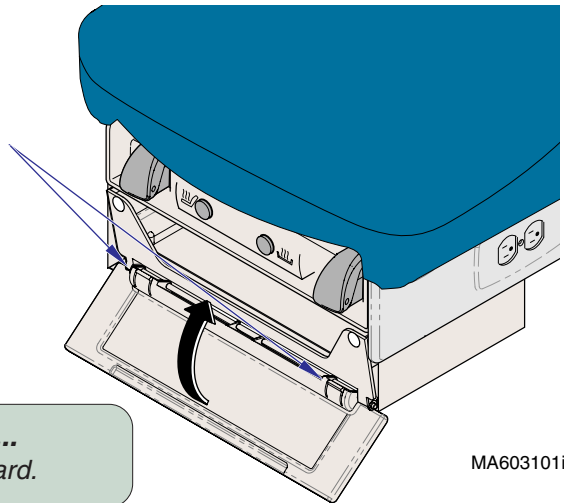
**To use the drawer front as a shelf...**  
Pull drawer front down to release the magnetic latch.



## Equipment Alert

The maximum weight the shelf will support is 10 lbs (4.5 kg).

**Tabs**



**If drawer front folds past horizontal...**  
Press two tabs and swing drawer front upward.

MA6031011

## Paper Roll & Tear Strap

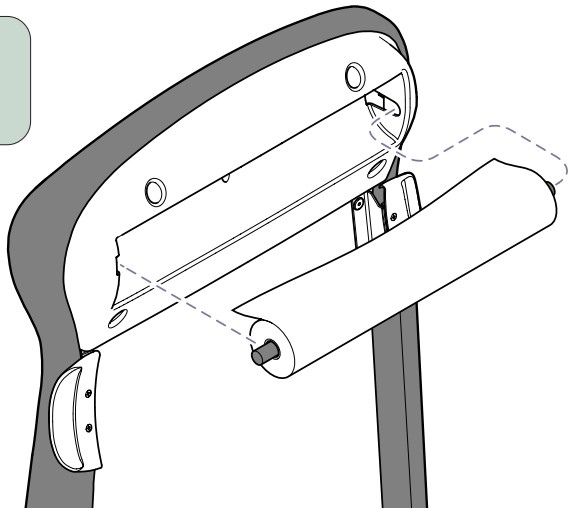
### Note

Up to four paper rolls (max.) may be stored under the back section.

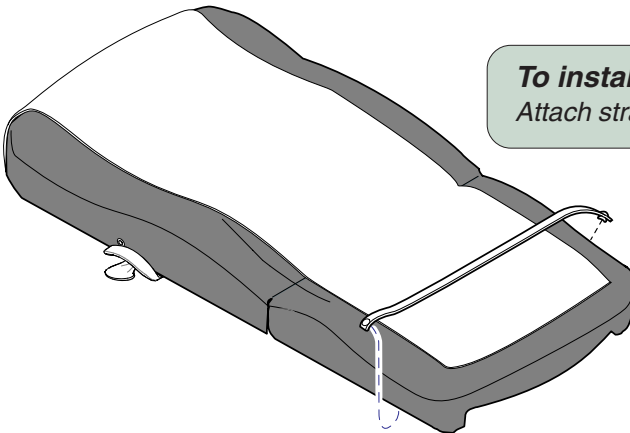
### Paper Roll Size (maximum):

622 & 623 (-007 & -008) .....	21 in. long x 3.5 in. diameter (53.3 cm x 8.9 cm)
623 (-009 & -010) .....	19.7 in. long x 4.7 in. diameter (50 cm x 12 cm)

**To install the paper roll...**  
*Insert rod ends into sockets  
under head end of upholstery.*



**To install the paper tear strap...**  
*Attach strap to snaps on each side of table.*



MA628701i

## Stirrups

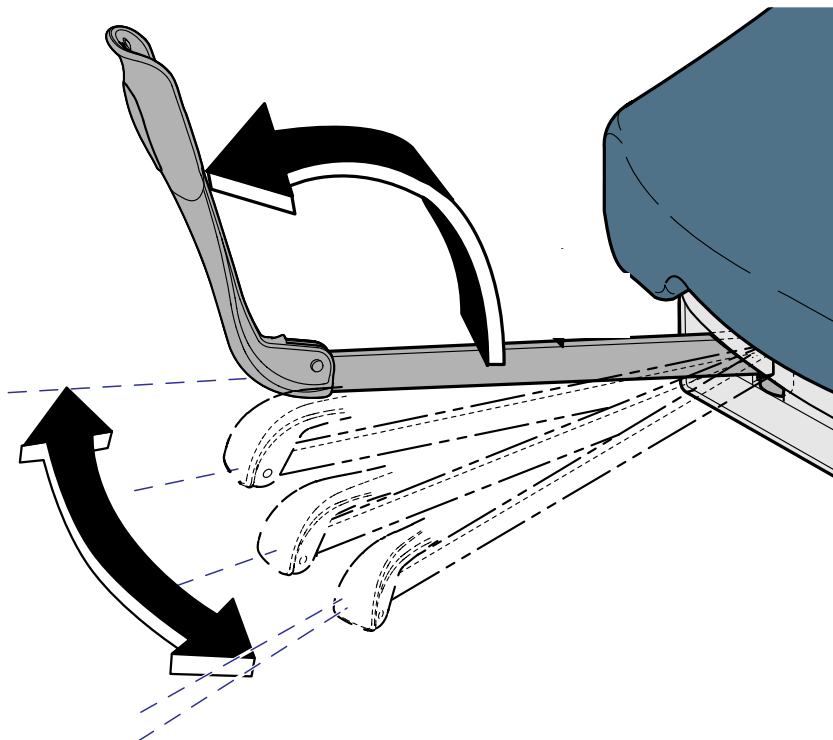


### Caution

Be sure the stirrups are locked in place before using.  
The stirrups will not support the patient's entire weight.

### *To position the stirrups...*

- A. Pull the stirrup out, then unfold.*
- B. Lift the stirrup slightly, then move it left or right as desired.*
- C. Release stirrup to lock in position.*



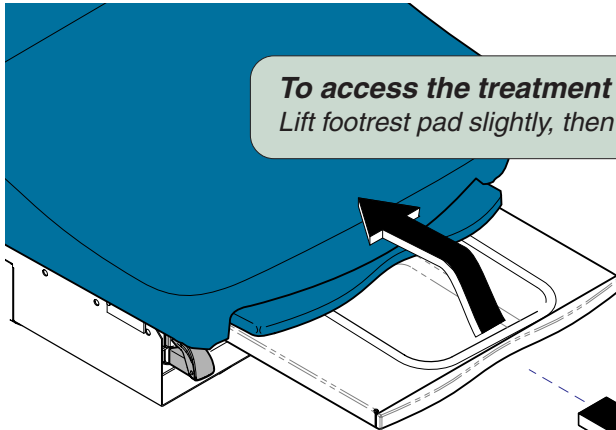
MA602500i

## Footrest & Treatment Pan



### Caution

Do not use footrest to support patient's entire weight.

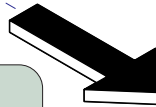


**To access the treatment pan...**

*Lift footrest pad slightly, then slide pad back into table.*

**To extend footrest...**

*Pull footrest out to desired position.*



MA626400i

## Drawer Heater (optional)

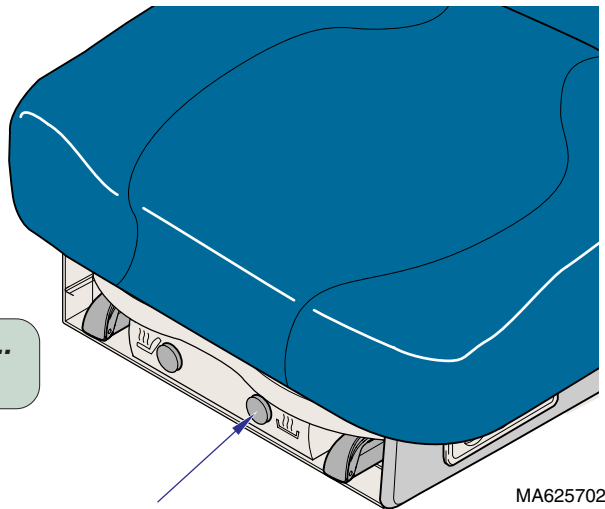
### Note

The drawer heater switch illuminates when heater is ON.

The drawer heater warms the contents of the drawer to approximately 98°F (37°C).

**To turn the drawer heater ON / OFF...**

*Press & release the drawer heater switch.*



**Drawer Heater  
Switch**

MA625702i

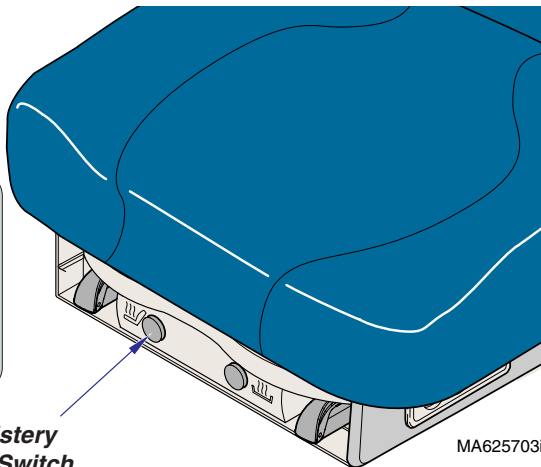
## Upholstery Heater (optional)

### To turn upholstery heater ON / OFF...

Press the upholstery heater button.

Note: The upholstery heater will ...

- reach operating temp. in 15 - 20 minutes.
- automatically shut off after 8 hours.



**Upholstery  
Heater Switch**

MA625703i

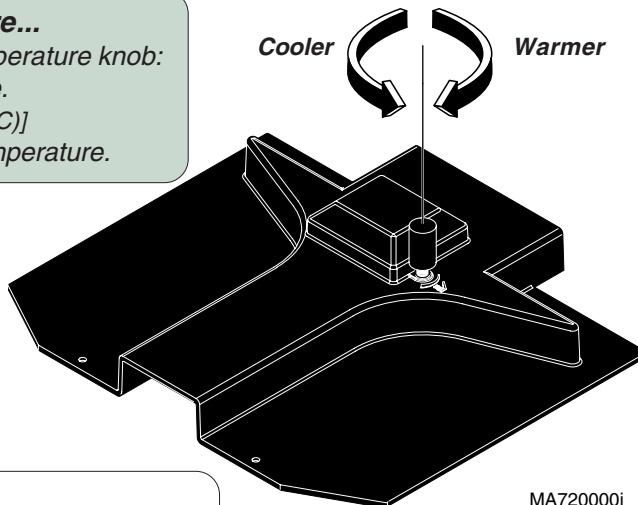
### Note

The upholstery heater button illuminates when heater is ON (I).

### To adjust upholstery temperature...

Lift the seat section, then turn the temperature knob:

- Clockwise to increase temperature.  
[maximum temperature: 105°F (41°C)]
- Counter-clockwise to decrease temperature.



MA720000i



### Equipment Alert

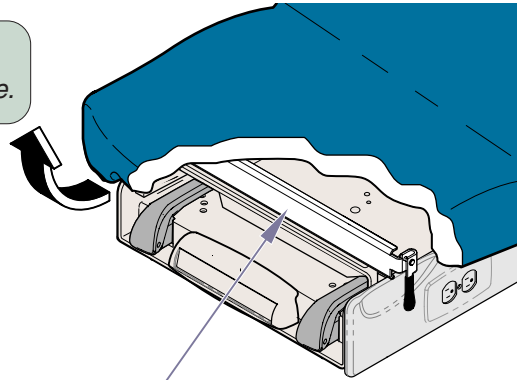
The maximum power loading of the heating element is 45 W, and should only be powered by the connection provided.

If the heated upholstery is punctured, it **must** be repaired or replaced to ensure proper operation.

## ***Pelvic Tilt (optional)***

### ***To elevate seat section...***

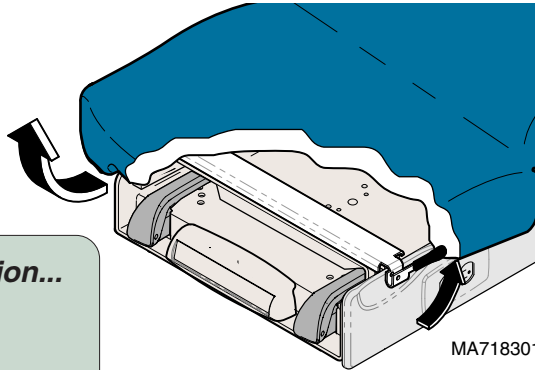
*Lift seat until pelvic support drops into place.*



***Pelvic Support***

### ***To return seat section to flat position...***

- A. Lift seat section slightly.***
- B. Pivot pelvic support handle upward.***
- C. Lower seat section.***



MA718301i

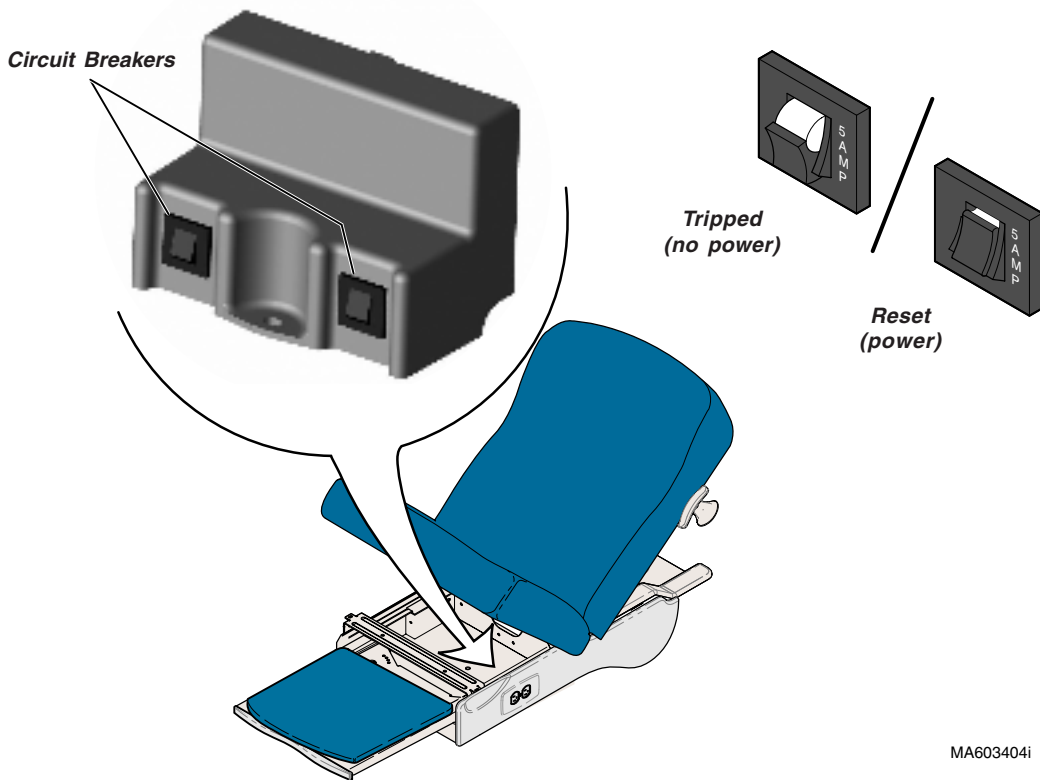


## ***Duplex Receptacle (not available on 230 volt models)***

The duplex receptacle on the side of the table provides power for accessories used during medical procedures. There are two circuit breakers located under the seat section. If the receptacle's maximum load is exceeded, the circuit breakers interrupt power to the receptacle.

**Maximum Load:** ..... 115 VAC, 5 amps

***To reset the circuit breaker...***  
*Push circuit breaker switch.*



MA603404i

# Maintenance

## Cleaning

Clean upholstery with 5% bleach/water solution.



### Equipment Alert

The upholstery is resistant to most medicinal-type stains, but may be damaged by solvents and dyes. Immediately remove any fluids spilled on the upholstery.

Clean the table weekly, wiping the painted metal and plastic surfaces with a clean, soft cloth, and mild cleaners. Periodic applications of common furniture wax will ease cleaning and maintain the finished luster of the table.

## Preventive Maintenance

Periodically inspect the following areas:

- Power cord should be free of cuts or other visible damage.
- All fasteners should be present and tightened securely.
- All mechanical functions should operate properly.

Periodically lubricate the following areas to maintain quiet, smooth, operation:

- Back hinge (*use light machine oil*)
- Footrest slide (*use household furniture wax*)

Have an authorized service technician inspect your table every six months.

## Calling For Service

### Note

Model / Serial Number information is required when calling for service.

Contact your Midmark Dealer, or log onto [www.midmark.com](http://www.midmark.com) to locate your nearest service provider. To contact Midmark directly:

1-800-Midmark (1-800-643-6275) or 937-526-3662  
8:00 am until 5:00 pm. Monday through Friday (EST)  
*[excluding standard U.S. holidays]*

# Specifications

## Weights, Dimensions, Electrical Specifications

<b>Patient Weight (Maximum)</b> .....	400 lbs (181.4 kgs)
<b>Paper Roll (maximum size):</b> .....	(See <i>Paper Roll &amp; Tear Straps</i> page)
<b>Range of Motion &amp; Dimensions</b> .....	(See <i>Range of Motion &amp; Dimensions</i> page)
<b>Weight of Table:</b>	
<i>[Weights listed are for 115V models. The 230V transformer adds 14.5 lbs (6.5 kg)]</i>	
<b>622 / 623 w/upholstery</b> .....	325 lb (147 kg)
w/packaging & skid ( <i>no uph.</i> ) .....	375 lb (192.7 kg)
<b>Upholstery w/packaging</b> ( <i>shipped seperately</i> ) .....	40 lbs (18.1 kg)
<b>Power Cord(s)</b> [ <i>115V models have two cords</i> ]: .....	8 ft. (243.8 cm) long
<b>Electrical Requirements:</b> .....	[See <i>Regulatory Compliance Charts</i> ]
<b>Foot / Hand Control Voltage:</b> .....	14 VAC, SELV (Safety Extra Low Voltage)
<b>Duplex Receptacle (optional)</b>	
<b>maximum load:</b> .....	115 VAC, 5A, 50/60 Hz
<b>Fuses:</b>	
<u>622/623 (all):</u>	
F1 & F2 ( <i>on main PC board</i> ) .....	10A, 250V, Type-T, 1/4" x 1 1/4"
F3 ( <i>on main PC board</i> ) .....	5A, 250V, Type-T, 1/4" x 1 1/4"
F4 ( <i>on main PC board</i> ) .....	187 mA, 250V, Type-T, 1/4" x 1 1/4"
F5 ( <i>on main PC board</i> ) .....	4A, 250V, Type-T, 1/4" x 1 1/4"
<u>Models w/ drawer heater</u>	
distribution board fuses (2) .....	.800 mA, 250V, Type-T, 5 x 20mm
<u>Models w/ upholstery heater</u>	
uph. heater PC board fuses (2) .....	1/2 A, 250V, Type-T, 1/4" x 1 1/4"
<u>623 (-009 &amp; -010):</u>	
located next to IEC inlet (2) .....	4A, 250V, Type-T, 5 x 20 mm
<b>Duty Cycle:</b>	
Actuator motor run time: .....	Intermittent Operation <i>[30 seconds ON / 5 minutes OFF]</i>
Receptacle / Drawer Heater / Uph. Heater: .....	Continuous Operation
<b>Classifications:</b> .....	Class 1, Type B Applied Part,
<b>Protection against ingress of fluids:</b> .....	IPX0 [ <i>Foot Control only: IPX1</i> ]

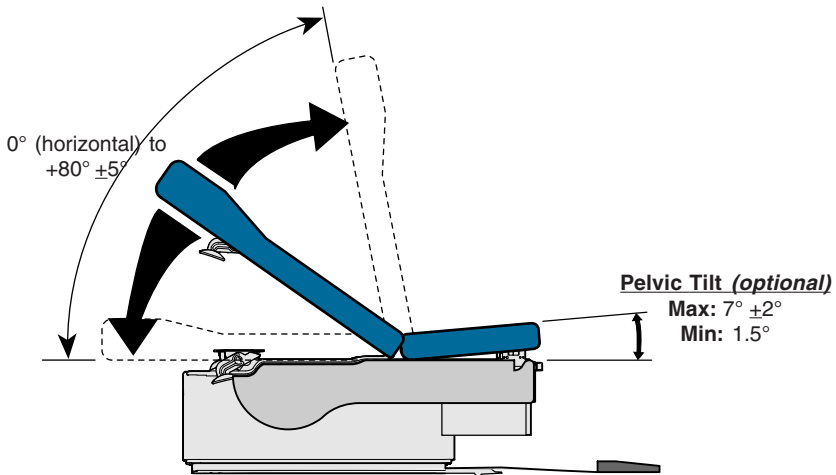
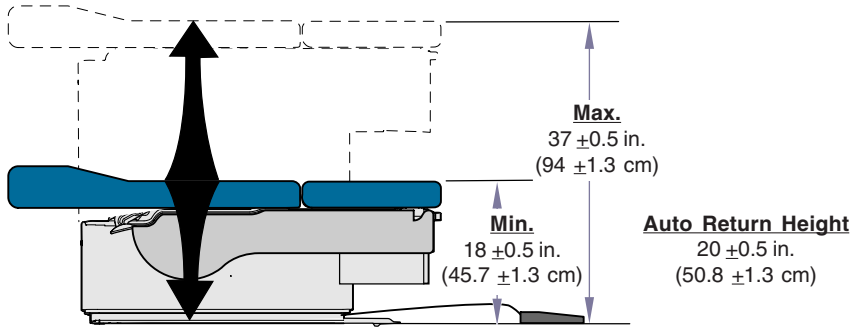
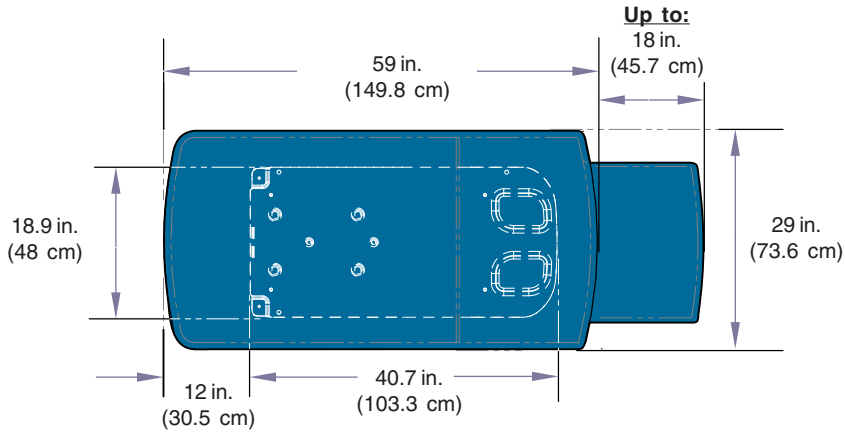
*Equipment not suitable for use in the presence of a flammable anesthetic mixture with air, or with oxygen, or nitrous oxide.*

## Regulatory Compliance Chart - 622 / 623

**Fire Code Ratings:** All upholstery complies with California Bureau of Home Furnishing Technical Bulletin 117  
Optional upholstery is available that complies with California Bureau of Home Furnishing Technical Bulletin 133.

Model	Description	Serial Number Prefix	Complies To:					Electrical Ratings:		
			UL 60601-1	CAN/CSA 22.2, #601.1-M90	IEC 60601-1	EN 60601-1-2 (EMC)	CE	VAC +/- 10%	Amps	Cycles (Hz)
622-007	Midmark Manual Back Table w/ Receptacle	V	X	X	X	X	X	115	10.5	50/60
622-008	Midmark Manual Back Table w/ Receptacle, Drawer Heater, Pelvic Tilt, & Heated Upholstery	V	X	X	X	X	X	115	11.5	50/60
623-007	Midmark Power Back Table w/ Receptacle	V	X	X	X	X	X	115	12.5	50/60
623-008	Midmark Power Back Table w/ Receptacle, Pelvic Tilt Drawer Heater, & Heated Upholstery	V	X	X	X	X	X	115	13.5	50/60
623-009	Midmark Power Back Table - Export w/ Pelvic Tilt	V	X	X	X	X	X	230	3.75	50/60
623-010	Midmark Power Back Table - Export w/ Pelvic Tilt, Drawer Heater, & Heated Upholstery	V	X	X	X	X	X	230	4.25	50/60

# Range of Motion & Dimensions



MA599803I

# Warranty Information

## **Limited Warranty**

### **SCOPE OF WARRANTY**

Midmark Corporation ("Midmark") warrants to the original purchaser its new Alternate Care products and components (except for components not warranted under "Exclusions") manufactured by Midmark to be free from defects in material and workmanship under normal use and service. Midmark's obligation under this warranty is limited to the repair or replacement, at Midmark's option, of the parts or the products the defects of which are reported to Midmark within the applicable warranty period and which, upon examination by Midmark, prove to be defective.

### **APPLICABLE WARRANTY PERIOD**

The applicable warranty period, measured from the date of delivery to the original user, shall be one (1) year for all warranted products and components.

### **EXCLUSIONS**

This warranty does not cover and Midmark shall not be liable for the following: (1) repairs and replacements because of misuse, abuse, negligence, alteration, accident, freight damage, or tampering; (2) products which are not installed, used, and properly cleaned as required in the Midmark "Installation" and or "Installation / Operation Manual for this applicable product. (3) products considered to be of a consumable nature; (4) accessories or parts not manufactured by Midmark; (5) charges by anyone for adjustments, repairs, replacement parts, installation, or other work performed upon or in connection with such products which is not expressly authorized in writing in advance by Midmark.

### **EXCLUSIVE REMEDY**

Midmark's only obligation under this warranty is the repair or replacement of defective parts. Midmark shall not be liable for any direct, special, indirect, incidental, exemplary, or consequential damages or delay, including, but not limited to, damages for loss of profits or loss of use.

### **NO AUTHORIZATION**

No person or firm is authorized to create for Midmark any other obligation or liability in connection with the products.

**THIS WARRANTY IS MIDMARK'S ONLY WARRANTY AND IS IN LIEU OF ALL OTHER WARRANTIES, EXPRESS OR IMPLIED. MIDMARK MAKES NO IMPLIED WARRANTIES OF ANY KIND INCLUDING ANY WARRANTIES OF MERCHANTABILITY OR FITNESS FOR ANY PARTICULAR PURPOSE. THIS WARRANTY IS LIMITED TO THE REPAIR OR REPLACEMENT OF DEFECTIVE PARTS.**

SF-1487 REV. A1

***Notes:***

# DECLARATION OF CONFORMITY

## MIDMARK CORPORATION



Midmark Corporation declares that **Exam Tables 622 & 623** conform to the applicable requirements of the Medical Device Directive 93/42/EEC, Annex VII.

622 (all) Serial Numbers: V2200 to present.

623 (all) Serial Numbers: V2200 to present.

Quality Assurance Manager

Gene Harshbarger  
Midmark Corporation  
60 Vista Drive, P O Box 286  
Versailles, Ohio 45380 U.S.A.

**077-0381-00 Rev. A**

Midmark Corporation  
60 Vista Drive  
P.O. Box 286  
Versailles, OH 45380-0286  
Phone: 937-526-3662  
Fax: 937-526-5542  
[www.midmark.com](http://www.midmark.com)

© Midmark Corporation 2008



Because we care.