



Date:

/ /

**STONE FABRICATION ESTIMATE WORKSHEET**

CUSTOMER	CONTACT
MATERIAL	JOB NAME
THICKNESS	GAUGED <input type="checkbox"/> / <input type="checkbox"/>
COLOR	TEMPLATE IDENTIFIER
MATERIAL QUOTED	UNIT OF MEASURE
QUANTITY REQUIRED	ITEM ID
	QUOTED PRICE

Signature (approves rendering above as specified)

Date

PO#

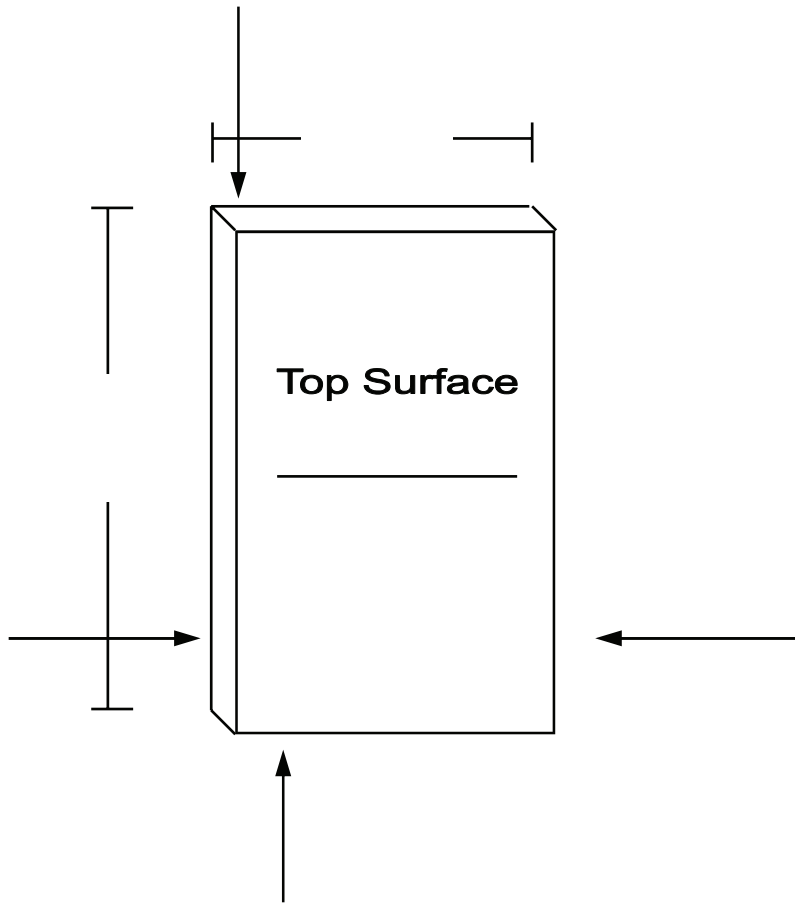


Date:

/ /

**STONE FABRICATION ESTIMATE WORKSHEET**

CUSTOMER	CONTACT
MATERIAL	JOB NAME
THICKNESS	GAUGED <input type="checkbox"/> Y / <input type="checkbox"/> N
COLOR	TEMPLATE IDENTIFIER
MATERIAL QUOTED	UNIT OF MEASURE
QUANTITY REQUIRED	ITEM ID
	QUOTED PRICE



Signature (approves rendering above as specified)

Date

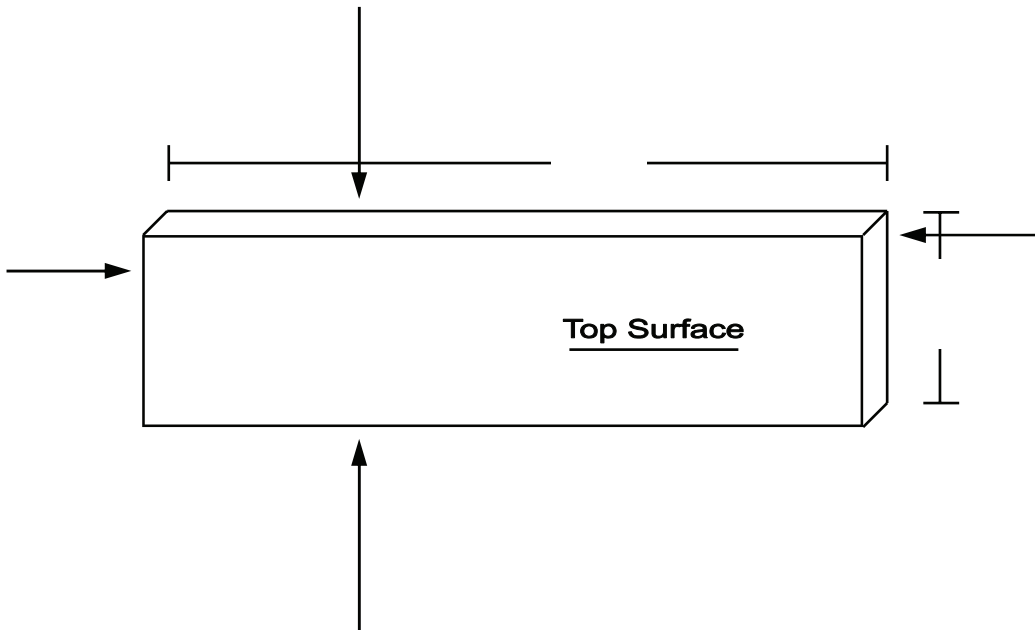
PO#



Date:

**STONE FABRICATION ESTIMATE WORKSHEET**

CUSTOMER	CONTACT
MATERIAL	JOB NAME
THICKNESS	GAUGED <input type="checkbox"/> Y / <input type="checkbox"/> N
COLOR	TEMPLATE IDENTIFIER
MATERIAL QUOTED	UNIT OF MEASURE
QUANTITY REQUIRED	ITEM ID
	QUOTED PRICE



Signature (approves rendering above as specified)

Date

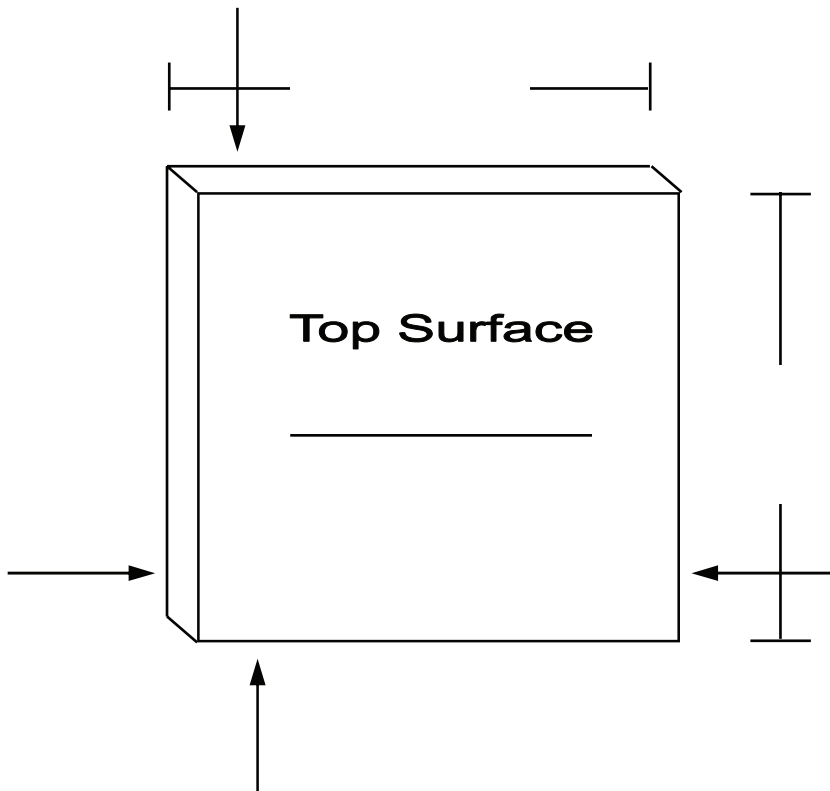
PO#



Date:

**STONE FABRICATION ESTIMATE WORKSHEET**

CUSTOMER	CONTACT
MATERIAL	JOB NAME
THICKNESS	GAUGED <input type="checkbox"/> Y / <input type="checkbox"/> N
COLOR	TEMPLATE IDENTIFIER
MATERIAL QUOTED	UNIT OF MEASURE
QUANTITY REQUIRED	ITEM ID
	QUOTED PRICE



Signature (approves rendering above as specified)

Date

PO#