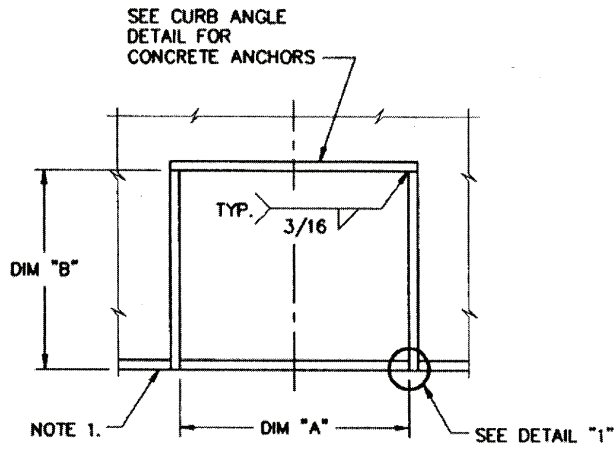




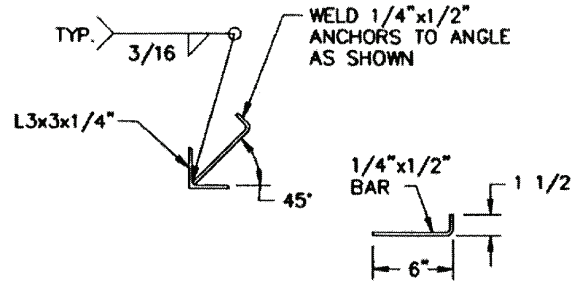
Pit Detail: Mechanical Leveler

P.O. Box 1028 • Franklin, TN 37065-1028 • 800-394-5944 • 615-807-1141 • Fax: 615-807-1752
www.aaronbradley.com

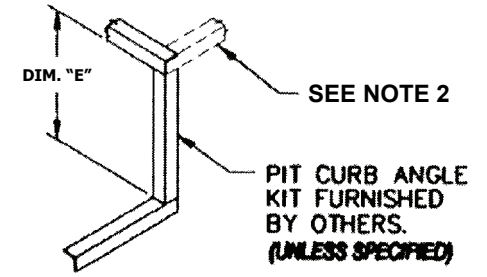
ABC DOCKS, LLC



PLAN VIEW



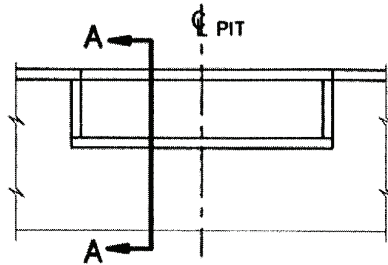
CURB ANGLE DETAIL
KIT FURNISHED BY OTHERS
(UNLESS SPECIFIED)



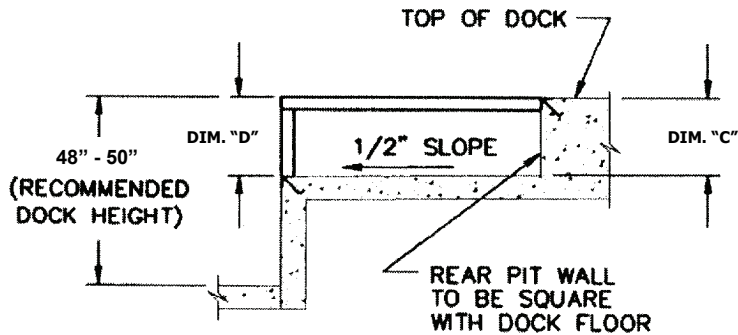
DETAIL 1

Notes:

1. Pit Curb Angle: 3" x 3" X 1/4" • A-36 Carbon Steel
2. Angle 3" x 3" x 1/4" x 20" Minimum Length or Run Continuous Pit to Pit (Supplied by Others)



FRONT ELEVATION



SECTION A-A

VARIABLE DIMENSIONS		JOB:					
Enter Model Number and Circle Applicable Dimensions on Chart Below							
Model No.	Size W x L	"A"	"B"	Frame Depth	"C"	"D"	"E"
	6' x 6'	74"	63"	19"	19-1/2"	20"	17"
	6' 6" x 6'	80"	63"	19"	19-1/2"	20"	17"
	6' x 8'	74"	87"	19"	19-1/2"	20"	17"
	6' 6" x 8'	80"	87"	19"	19-1/2"	20"	17"
	6' x 10'	74"	111"	23"	23-1/2"	24"	21"
	6' 6" x 10'	80"	111"	23"	23-1/2"	24"	21"
	7' x 6'	85"	63"	19"	19-1/2"	20"	17"
	7' x 8'	85"	87"	19"	19-1/2"	20"	17"
	7' x 10'	85"	111"	23"	23-1/2"	24"	21"