

English  
Company stamp

Folding frame wheelchair

Date .....

User name .....

Responsible .....

### FEATURES

**Weight in lighter configuration LS 36 - PS 40 from 10,6Kg**  
Rear frame Titanium - Casters 3" Sport - Rear wheels 24" ULTRA-LIGHT PROGEO KEY SPORT - Handrim aluminium - Tyre high pressure tyre - Carbon fibre mudguard.



**Weight in standard configuration LS 36 - PS 40 from 11,5Kg**

#### Wheelchair measures

Seat width (LS) 33 36 39 42 45 48  
Seat depth (PS) 35 37,5 40 42,5 45 47,5  
**See note (1)**

Setting  Standard  Prudential  Active  Extreme

Rear wheel camber  0°  1,5°  3°

Rear wheel camber frame Dynamic  
 0°  1,5°  2°  4°

Crossbrace (black)  Single  Double  
(Not seat width 33-36)

Footplate distance (DP) ..... **(Real distance between seat and footplate)**  
**See reference tables N4**

Backrest Height (TS) Std.Value 36 .....  
**See reference tables N5**

Front height ..... (STD 49) - Rear height ..... (STD 44)

**See reference tables N1 - N2**

#### Front frame

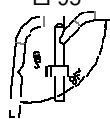
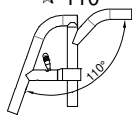
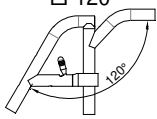
☆ Aluminium frame

##### Frame Angle

120°

☆ 110°

95°



- Short frame - Ideal with Seat depth (PS) 35 - 37,5
- Medium frame - Ideal with Seat depth (PS) 40 - 42,5
- Long frame - Ideal with Seat depth (PS) 45 - 47,5

#### Price

#### Rear frame

☆ Aluminium standard frame

Titanium frame T MAX **03940**  
**Brushed Titanium frame - not varnished**  
**Weight reduction approx. 250gr**

Aluminium frame DYNAMIC **03942**  
**With rake adjustable backrest (±9°)**

Black rear wheel plate with multifunction jointed system  
Mudguard with multifunction rotative system  
**See note (2 - 3)**



#### Colour aluminium frame

- Polished black  Bright fuchsia
- Bright silver  Bright red
- Bright blue  Bright lime
- Bright anthracite  Pearl white
- Bright orange  Bright blue china

#### Colour set: Rear wheels and forks

- | Colour                                     | Size            | Price |
|--------------------------------------------|-----------------|-------|
| ☆ Polished black                           | 22" 24" 25" 26" |       |
| <input type="checkbox"/> Bright silver     | 22" 24"         | 00833 |
| <input type="checkbox"/> Bright anthracite | 24"             | 00833 |
| <input type="checkbox"/> Bright orange     | 22" 24"         | 00833 |
| <input type="checkbox"/> Bright fuchsia    | 22" 24"         | 00833 |
| <input type="checkbox"/> Bright blue       | 22" 24"         | 00833 |
| <input type="checkbox"/> Bright red        | 22" 24"         | 00833 |
| <input type="checkbox"/> Bright lime       | 22" 24"         | 00833 |

**To be matched only with:**  
**Rear wheels Ultra-light Progeo - Standard!**

#### Castors

- ☆ 5" Soft
- 4" Soft
- 4" Active Sport (narrow) (Aluminium alloy rim) **01398**
- 4" Active Soft (large) (Aluminium alloy rim) **03943**

- 3" Sport
- 6" Soft **Not available with frame angle 95°**
- 6" Pneumatic **Not available with frame angle 95°**
- 7" Soft **Not available with frame angle 95°**

#### Rear wheels - See chart N3

- ☆ 24" Ultra-light Progeo - Standard!
- 24" ULTRA-LIGHT PROGEO KEY SPORT **04383**  
**Weight reduction approx. 450gr.**
- 22" Ultra-light Progeo - Standard!
- 26" Ultra-light Progeo - Standard!

- 24" Ultra-light "Spinergy LX" **01685**
- 24" Ultra-light "Spinergy Flex rim" **02270**
- 25" Ultra-light "Spinergy LX" **02101**
- 26" Ultra-light "Spinergy LX" **02102**
- 24" Off-road **01392**

#### Handrim - Wheel distance

☆ 3 cm  4 cm

- ☆ Aluminium (22"-24"-25"-26")
- Chromed Steel (24"-25") (Not available with Spinergy) **01684**
- Titanium (24"-25") **00016**
- Ultra Grepp (24"-25") **00017**
- Max Grepp (24"-25") **00834**
- Ergo Para (24") **00632**
- Dual Grepp (24"-25") **00018**
- Quad (24") **00693**
- Silicon cover for standard aluminium handrim Available for measures (22"-24"-25"-26") **04050**

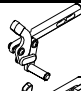
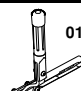
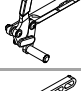


#### Price


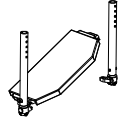
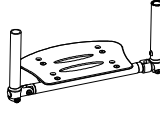
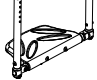
#### Rear wheel tyre - See chart N3

- ☆ High pressure tyre (22"-24"-25"-26")
- High pressure profile tyre (24")
- Marathon Plus (24") with anti-puncture protection **01669**
- Kik tyre Mako (24")  
Colour  Black  Grey  Red  Blue  
**01041 01751 01750 01752**


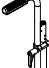
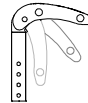
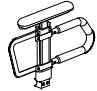
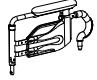

English

Date ..... Order ..... User name ..... Address .....

Wheel locks			Price
<input checked="" type="checkbox"/> Bent lever push to lock			<input type="checkbox"/> Brake with extension lever push to lock  01949
<input type="checkbox"/> Straight lever		<input type="checkbox"/> Push to lock <input type="checkbox"/> Pull to lock	<input type="checkbox"/> Brake with extension lever pull to lock  03372
<input type="checkbox"/> Sport brake under the seat		03288	<input type="checkbox"/> Brake handles for companion (Drum Brake) (Black colour rear wheels, aluminium handrim and high pressure) <input type="checkbox"/> 22" 03385 <input type="checkbox"/> 24" 03384

Footplate - See chart N°4			Price
<input checked="" type="checkbox"/> Plastic footrest			<input type="checkbox"/> One piece footplate - Flip-up! <input type="checkbox"/> Internal <input checked="" type="checkbox"/> 2/3 Internal <input type="checkbox"/> External rake and depth adjustable (Minimum height 30 cm.) 
<input type="checkbox"/> One piece aluminium footplate - Flip-up!			<input type="checkbox"/> NEW!! Multi-function and rotative system Minimum height 25 cm. 03945
<input type="checkbox"/> Internal <input checked="" type="checkbox"/> 2/3 Internal			<input type="checkbox"/> One piece Carbon fibre footplate 03291 <input type="checkbox"/> Internal <input type="checkbox"/> External rake adjustable, swing away, flip-up. (Minimum height 30 cm.) 
<input type="checkbox"/> 2/3 External <input type="checkbox"/> External			
<input type="checkbox"/> rake and depth adjustable			

Mudguard		Price
<input checked="" type="checkbox"/> ABS mudguard		<input type="checkbox"/> Carbon fibre mudguard 03946
<input type="checkbox"/> Straight sideguard (Not with frame Dynamic)		<input type="checkbox"/> Removable mudguard (Not with frame Dynamic) 03960

Optional (1)	Price	Optional (2)	Price
<input type="checkbox"/> Transit wheels	 00836	<input type="checkbox"/> Tipping aid	<input type="checkbox"/> Right 00025 <input type="checkbox"/> Left 01046
<input type="checkbox"/> Anti-tippers with rapid hookup (inside rotation to reduce the encumbrance)	<input type="checkbox"/> Right 00023 <input type="checkbox"/> Left 00024	<input type="checkbox"/> Crutches support	<input type="checkbox"/> Right 00838 <input type="checkbox"/> Left 00837
<input type="checkbox"/> Push handles for companion (Removable and height adjustable)	 01048	<input type="checkbox"/> Backrest with folding handles	 02958
<input type="checkbox"/> Swing away armrests (Swing away, removable and height adjustable armrest)	<input type="checkbox"/> Standard Support (Not with frame Dynamic) 04828 <input type="checkbox"/> Steel support with safety locking system 00694	<input type="checkbox"/> Quick release front forks	00030
<input type="checkbox"/> Desk armrests (Removable and height adjustable)	 00026	<input type="checkbox"/> Tetraclip (Quick release axle for quadriplegic)	03947
<input type="checkbox"/> Flip-up armrests Height and depth adjustable Swing away and removable	 01675	<input type="checkbox"/> Rear wheels plate extension (Not with frame Dynamic)	01950
<b>Kind of pad to be mounted on chosen armrest</b>		<input type="checkbox"/> Handybike adaptor	00506
<input checked="" type="checkbox"/> Pad STANDARD		<input type="checkbox"/> Safety pelvic belt	03972
<input type="checkbox"/> Ergonomic pad (30x6 cm.)	04104	<input type="checkbox"/> Harness	04103
<input type="checkbox"/> Spoke guards Black (22"-24")	01043	<input type="checkbox"/> Detachable and transparent table	00508
<input type="checkbox"/> Spoke guards Transparent (22"-24")	00835	<input type="checkbox"/> Lumbar support (to insert in the backrest upholstery)	00013
<input type="checkbox"/> Spoke guards Progeo design (22"-24")	00019	<input type="checkbox"/> Super Head rest (Folding with the wheelchair)	 04049
<input type="checkbox"/> Spoke guards Dragon (22"-24")	02106	<input type="checkbox"/> Swing away lateral support	<input type="checkbox"/> Right 02097 <input type="checkbox"/> Left 02098




One arm drive	Price	Available Kit	Price
<input type="checkbox"/> Right <input type="checkbox"/> Left	2103	<input type="checkbox"/> 24" Off-road rear wheels (only with aluminium handrim)	03378
(24" rear wheels Aluminium handrim High pressure Tyre)			

TÜV GM Certified Product - TÜV Rheinland Italia Certified company normative UNI EN ISO 9001

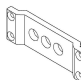
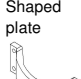

Important notice! Send this page

**REFERENCE TABLES**

- (1) The real seat depth, from the front part of the seat cloth to the backrest tube will be 1 cm more than the declared one.  
 (2) The seat width is measured from the outer sides of the frame, while the distance between the two side guards is 1.5 cm wider.  
 (3) The real seat depth, from the front part of the seat cloth to the backrest tube will be 2 cm more than the declared one.

1		Front height				
FORK		3"	4"	Casters		
		3"	4"	5"	6"	7"
SMALL		min. 39 max 45	min. 40 max 46	min. 42 max 48		
		min. 45 max 51	min. 45 max 52	min. 45 max 53	min. 46 max 54	min. 48 max 55
LONG		min. 48 max 54	min. 48 max 55	min. 48 max 56	min. 48 max 57	min. 48 max 58

The size of the fork will be defined only by Rehateam Progeo in accordance with wheelchair final configuration.

2		Rear height			
Rear frame		Rear wheels			
		22"	24"	25"	26"
STANDARD	Straight plate 	min. 37 max 45	min. 39 max 47	min. 40 max 48	min 41 max 49
	Shaped plate 	min. 36 max 49	min. 38 max 51	min. 39 max 52	min. 40 max 53
DYNAMIC		min. 36 max 49	min. 38 max 51	min. 39 max 52	min. 40 max 53

3		Rear wheels	
Model	Features	Handrim and tyre	
22" Ultra-light Progeo - Standard!	(not available in anthracite color)	(aluminium handrim and high pressure tyre)	
24" Ultra-light Progeo - Standard!	(available for all colours)	(all handrim and tyre)	
24" ULTRA-LIGHT PROGEO KEY SPORT	(silver hub, black rim and 16 spokes)	(all handrim and tyre)	
24" Ultra-light "Spinergy LX"	(silver hub, black rim and spokes)	(all handrim and tyre)	
24" Ultra-light "Spinergy Flex rim"	(silver hub, black rim and spokes)	(integrated aluminium/rubber handrim - encumbrance reduction up to 3cm. - all tyre)	
24" Off-road	(colour: black)	(aluminium handrim - tyre Off-road)	
25" Ultra-light "Spinergy LX"	(silver hub, black rim and spokes)	(all handrim but tyre and only with high pressure tyre)	
26" Ultra-light Progeo - Standard!	(colour: black)	(aluminium handrim and high pressure tyre)	
26" Ultra-light "Spinergy LX"	(silver hub, black rim and 18 spokes)	(aluminium handrim and high pressure tyre)	

4		Footplate option		Footplate distance	
Plastic footrest		min. 32	max 50		
One piece footplate - Flip-up!		min. 30	max 51		
One piece aluminium footplate - Flip-up!		min. 30	max 51		
One piece Carbon fibre footplate		min. 30	max 51		

**IMPORTANT NOTICE!** From the footplate to the floor minimum 4cm.!! (Minimum Front height = DP + 4 cm.).

5		Backrest height	
Short tube	min. 30	max 40,5	
Long tube	min. 42	max 54	

**Note**

.....

.....

.....

.....

.....

.....

.....

.....

.....

.....

Important notice! - Send this page only if any note is reported