



# CENTAUR STEEL

635 NW Enterprise Dr. Port St Lucie, FL 34986  
tel: (772) 344-9436 or on the web @ [www.centaursteel.com](http://www.centaursteel.com)

## SPECIFICATION & FEATURES

Catalog Number
Notes
Job/Title

### DESCRIPTION:

The CM-FS series are 4" octagon ceiling fan support / light fixture boxes as well as the (CM-FS4PB) 4" round pancake electrical outlet boxes. These boxes are constructed from 16 gauge galvanized steel and all have numerous mounting options and knockout choices to fit most installations.

### BAR HANGER:

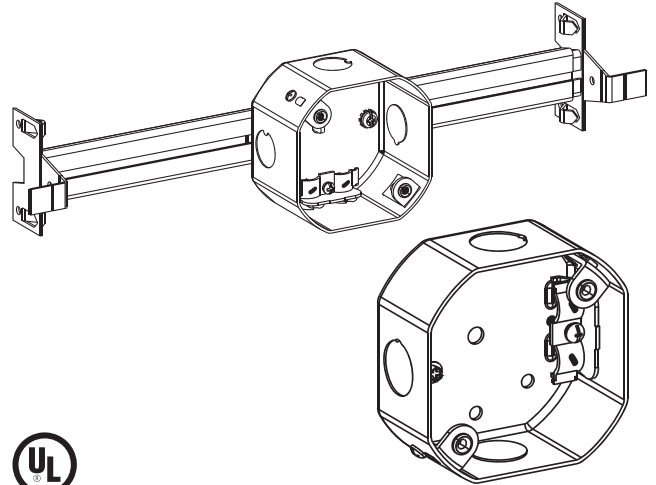
The new construction bar hanger (NBH) slides apart to fit joist spacing from 16" to 24" and the old work bar hanger (OBH) is for joist spacing from 16" to 24", No tools necessary for expansion of the bar.

### COMPLIANCE:

UL listed file E347677, conforms to UL514A, acceptable for use in 2-hour fire rated walls. Complies with NEC 314.27(a)(b)(d) for up to 70 lbs. of ceiling fan load and up to 70 lbs. fixture load.

# CM-FS

## 4" Fan, Light Fixture Boxes and Supports



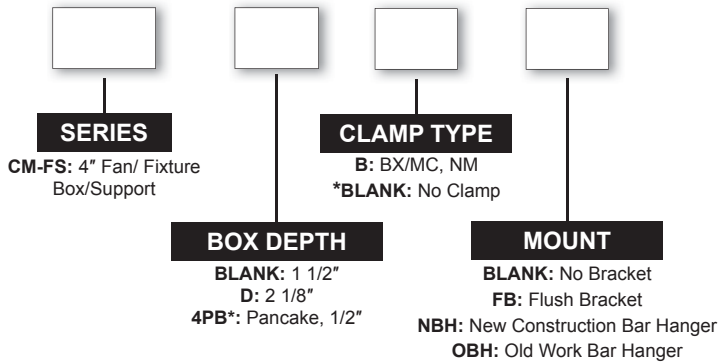
### DIMENSIONS

	Standard	Deep	4PB*
<b>LENGTH</b>	4"	4"	
<b>WIDTH</b>	4"	4"	4" Round
<b>DEPTH</b>	1 1/2"	2 1/8"	1/2"

### ORDERING INFORMATION

### CM-FS

Sample Part Code: CM-FSDB-FB



### CONFIGURATION DATA

CATALOG NUMBER	DEPTH	CLAMP TYPE	BRACKET, SETBACK OR EXPANSION	KNOCKOUTS	CU. IN.
FSB	1-1/2"	BX/MC, NM		3 - 1/2", 2 - Loom	15.5
FSDB	2-1/8"	BX/MC, NM		3 - 1/2", 2 - Loom	21.5
FSB-FB	1-1/2"	BX/MC, NM	FB, 1/2"	2 - 1/2", 2 - Loom	15.5
FSDB-FB	2-1/8"	BX/MC, NM	FB, 1/2"	2 - 1/2", 2 - Loom	21.5
FSB-NBH	1-1/2"	BX/MC, NM	NBH, 16" TO 24"	3 - 1/2", 2 - Loom	15.5
FSDB-NBH	2-1/8"	BX/MC, NM	NBH, 16" TO 24"	3 - 1/2", 2 - Loom	21.5
FSB-OBH	1-1/2"	BX/MC, NM	OBH, 16" TO 24"	3 - 1/2", 2 - Loom	15.5
FSDB-OBH	2-1/8"	BX/MC, NM	OBH, 16" TO 24"	3 - 1/2", 2 - Loom	21.5
FS4PB*	1/2"			2 - 1/2"	5.8
FS4PB-NBH*	1/2"		NBH, 16" TO 24"	2 - 1/2"	5.8

Includes hardware pack with a variety of fasteners for most installation types and Easy-to-follow Instruction Sheet.

