

GENERAL INFORMATION

Project Name: _____
 Item: _____
 Quantity: _____
 Model: DECO-100-N
 Length: _____

GENERAL SPECIFICATION

Materials

- 1-1/2" Stainless Steel Round Tubing Uprights
- 1/4" Tempered Glass Front
- Polished Exposed Glass Edges
- Narrow Mounting Flange

Construction

- Maximum Post Spacing
 - 42" with 1/4" Glass
 - 72" with 1/2" Glass
- NSF Standard 2 Construction
- Glass Shipped Separately from Brackets

TUBE OPTIONS

- 2" Round Diameter
- 1" Square
- 1-1/2" Square

TUBE FINISH

- #4 Brushed Stainless Steel
- #8 Mirror Polished Stainless Steel
- Powder Coated - Color _____

GLASS OPTIONS

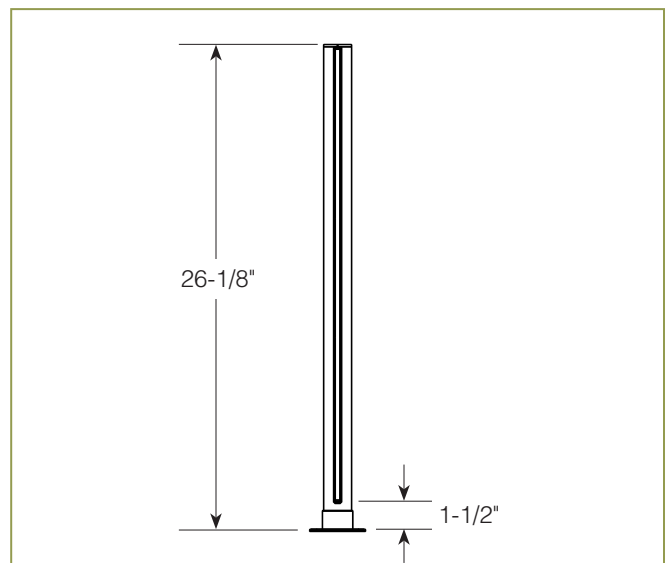
- 1/2" Tempered Glass
- Full Perimeter Channel

* Approval Drawings Required

Printed in the U.S.A. (January 2013) BSI, LLC
 Specifications subject to change without notice.

DECO-100-N

Vertical Operator-Serve Food Shield



To meet NSF guidelines, end panels are included on all BSI quotations unless specifically excluded.

FITTING OPTIONS

- Round Flange

FITTING FINISH

- #4 Brushed Stainless Steel
- #8 Mirror Polished Stainless Steel
- Powder Coated - Color _____