

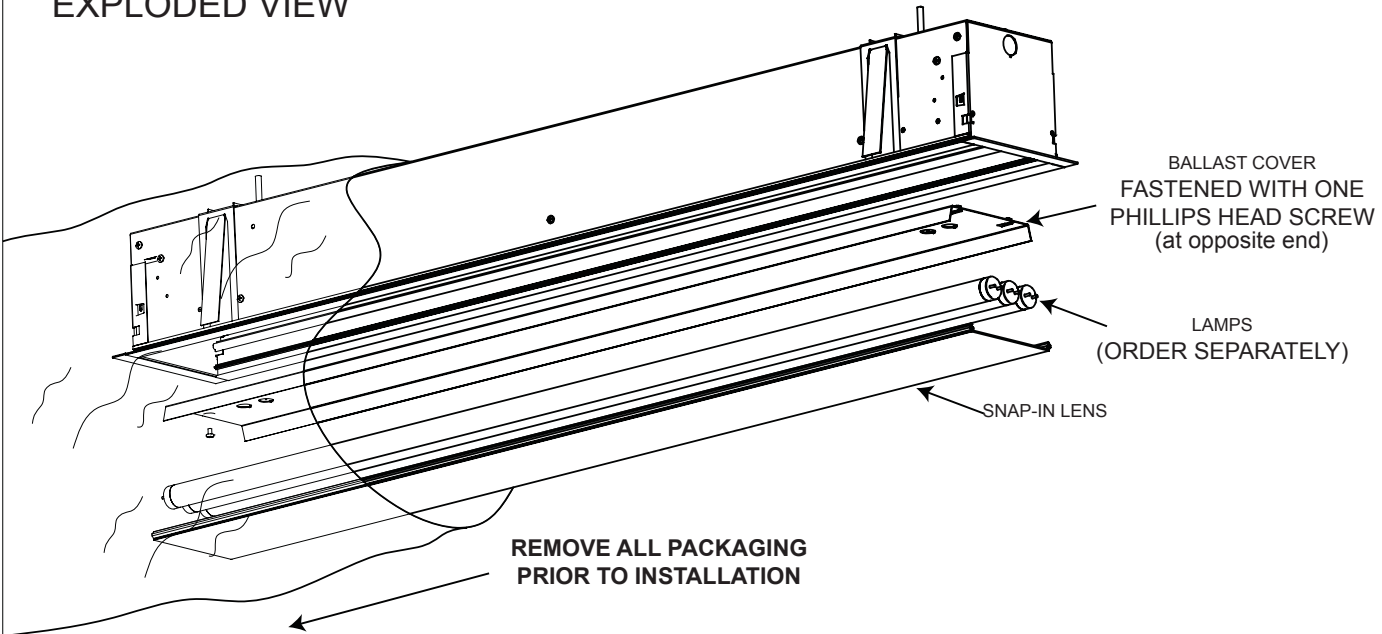
# STAND ALONE FIXTURE - FLANGE CEILING

(4 FOOT RG6 MODEL SHOWN)

APPLIES TO **-3/8" TO 1 1/4" RIGID CEILING**

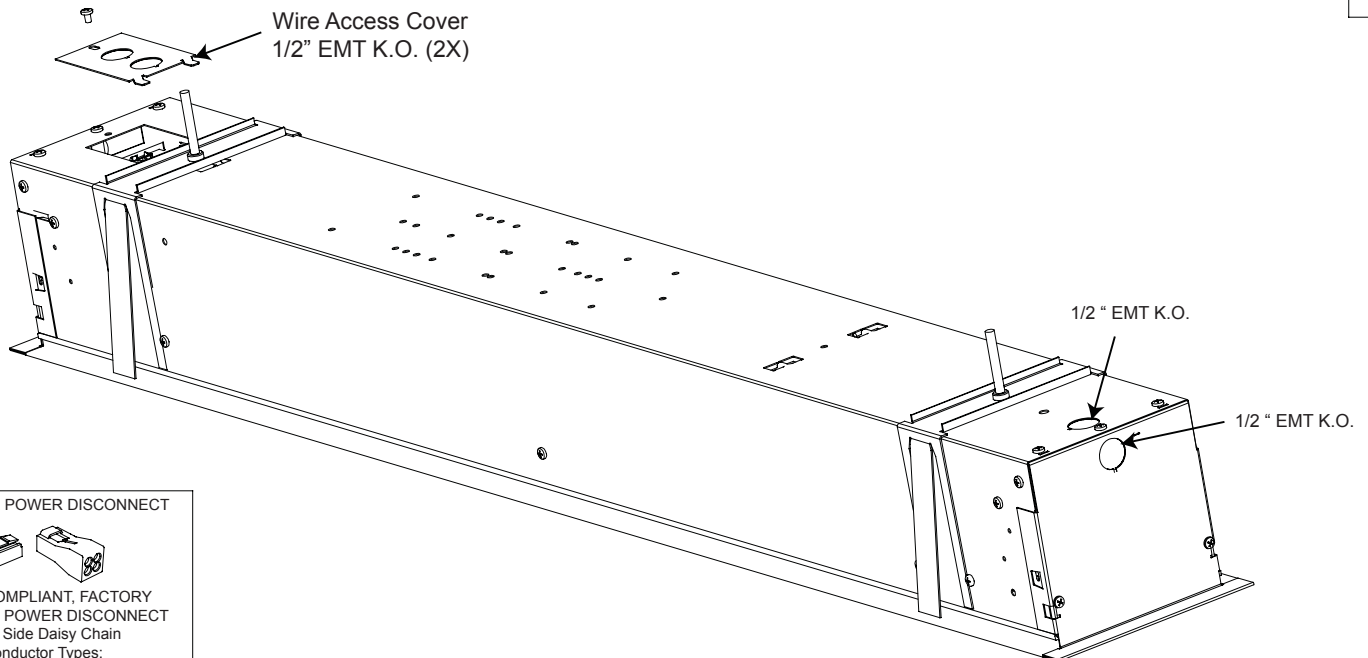
**WARNINGS**  
 RISK OF ELECTRICAL SHOCK OR FIRE - DISCONNECT POWER DURING INSTALLATION / SERVICING.  
 READ ALL INSTRUCTIONS COMPLETELY BEFORE STARTING INSTALLATION.  
 INSTALL & WIRE IN ACCORDANCE TO ALL NATIONAL & LOCAL CODES BY A CERTIFIED ELECTRICIAN.  
 FIXTURE MAY BE SHARP - HANDLE WITH CARE.  
 LET FIXTURE COOL BEFORE MAINTENANCE.

## EXPLODED VIEW



1

## WIRING INSTALLATION



2

### LUMINAIRE POWER DISCONNECT

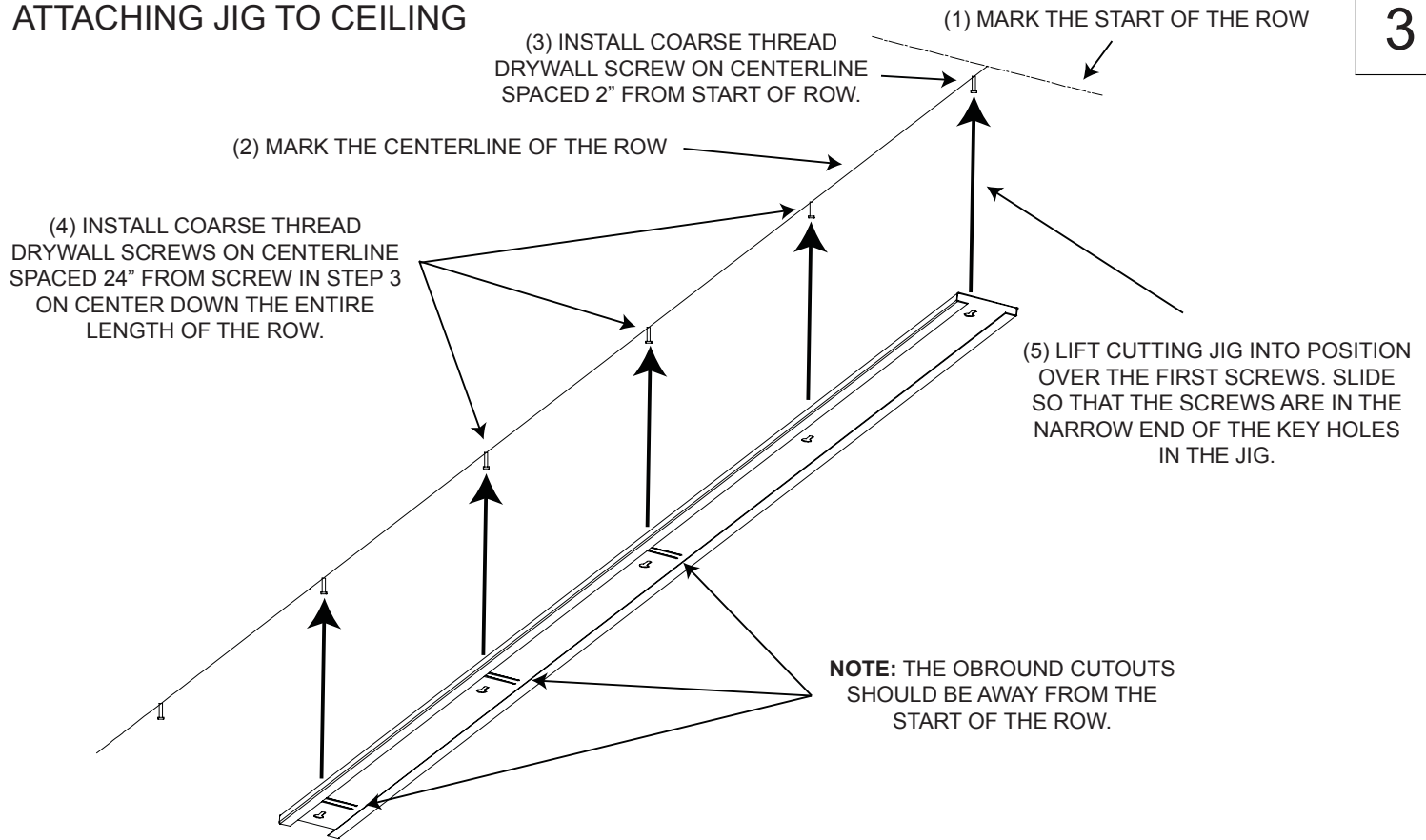


CODE COMPLIANT, FACTORY INSTALLED POWER DISCONNECT  
 Input Side Daisy Chain  
 Conductor Types:  
 Power Side - solid / stranded  
 19 strands (MIN.)  
 Ballast Side - 18 AWG solid

1. **WARNING - ELECTRICAL SHOCK or FIRE - Disconnect power.**
2. **Wire per all National and Local electrical codes. Remove access cover or knock-out and connect power feed conduit.**
3. **Make proper electrical connection and re-install access cover.**

**3**

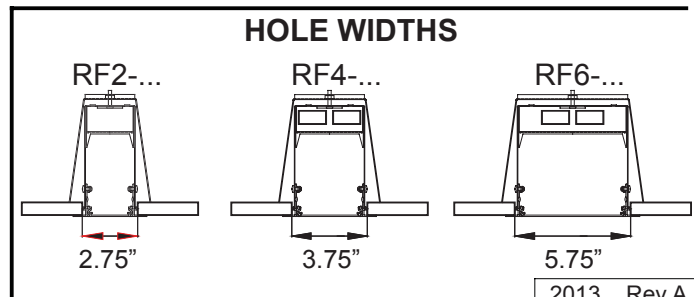
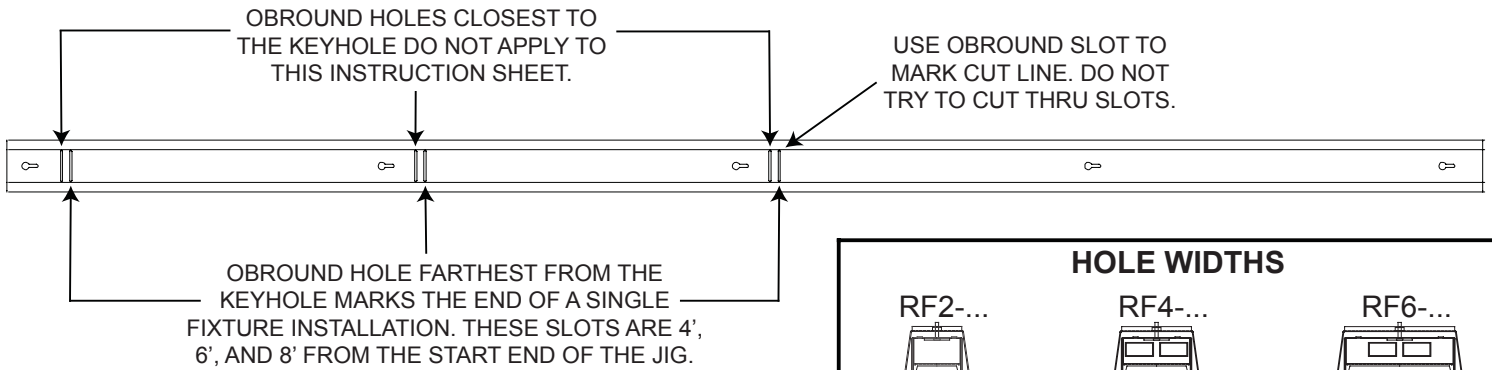
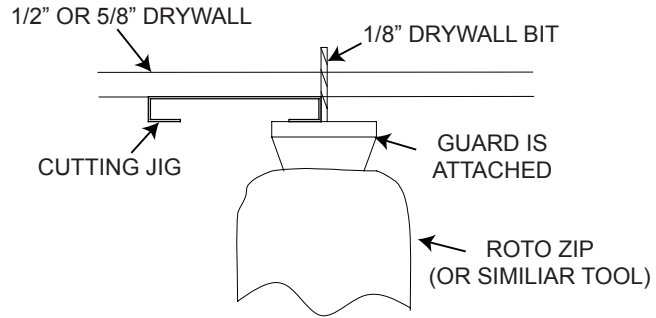
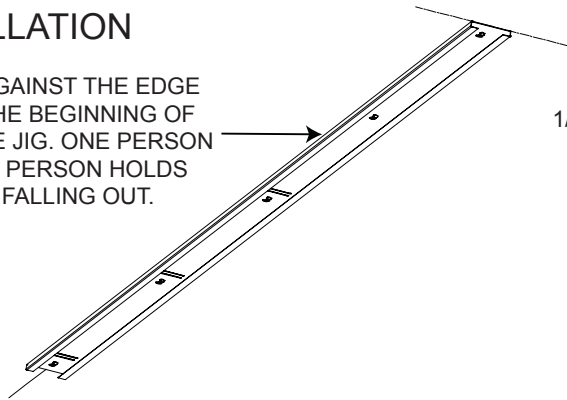
### ATTACHING JIG TO CEILING



**4**

### CUTTING INSTALLATION

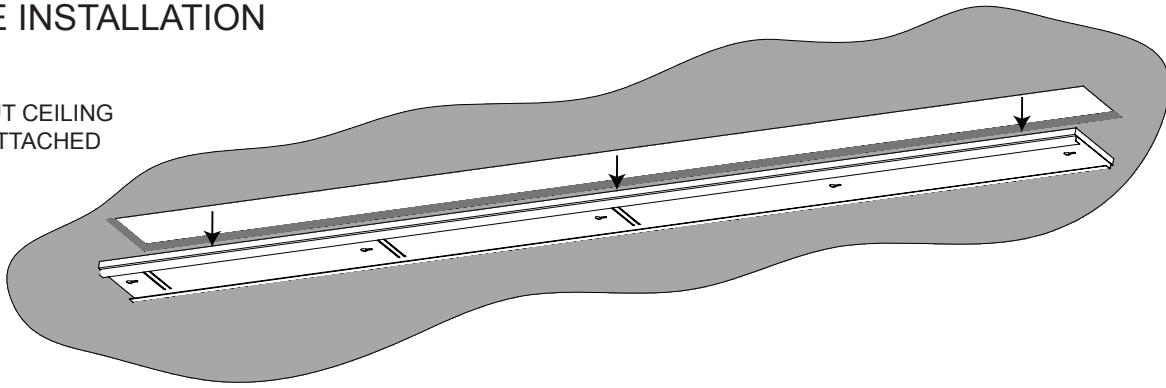
USE 1/8" DRYWALL BIT AGAINST THE EDGE OF THE JIG. START AT THE BEGINNING OF THE ROW AND TRACE THE JIG. ONE PERSON CUTS WHILE A SECOND PERSON HOLDS THE CUT END FROM FALLING OUT.



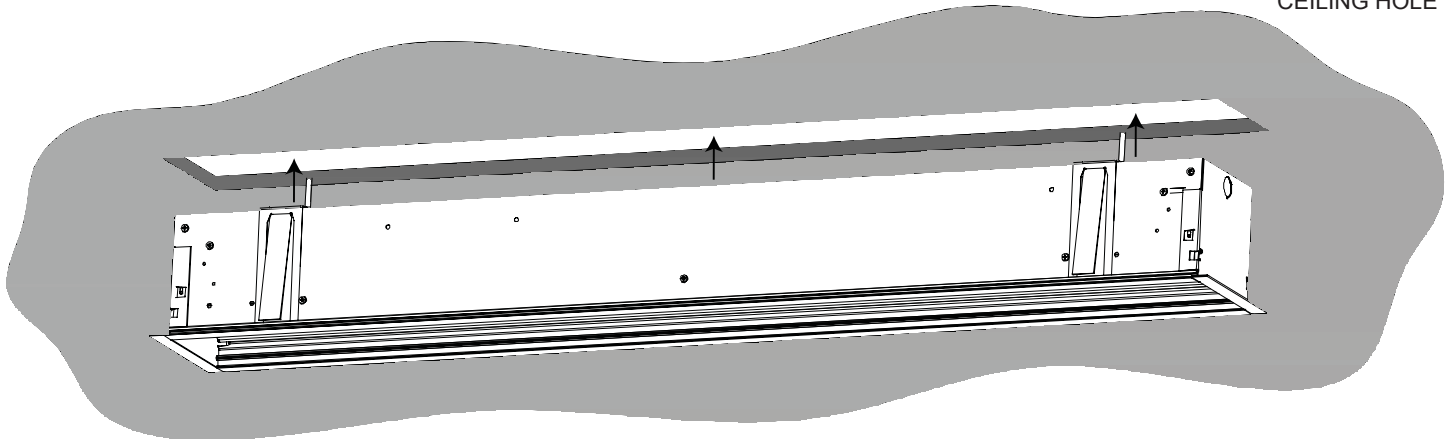
### FIXTURE INSTALLATION

5

REMOVE CUT CEILING  
WITH JIG ATTACHED

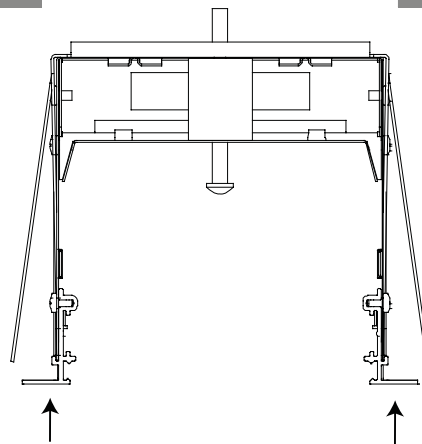


INSERT FIXTURE INTO  
CEILING HOLE

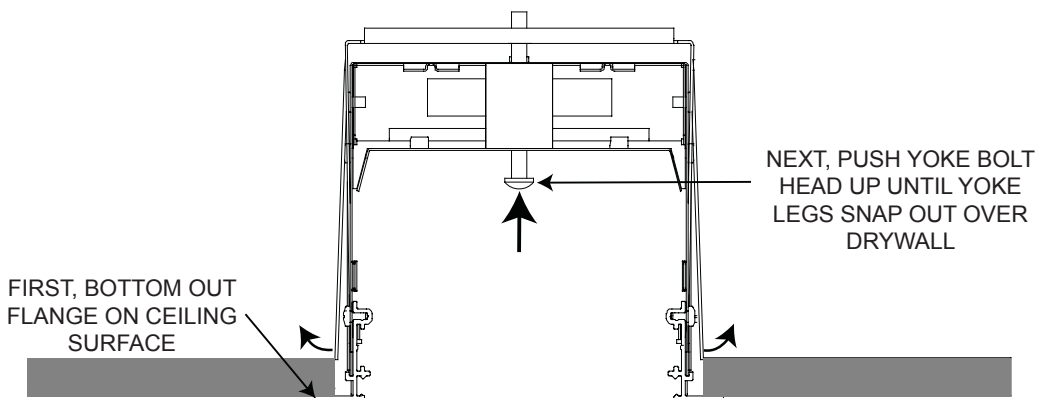


### FIXTURE INSTALLATION

6



INSERT FIXTURE INTO  
CEILING HOLE



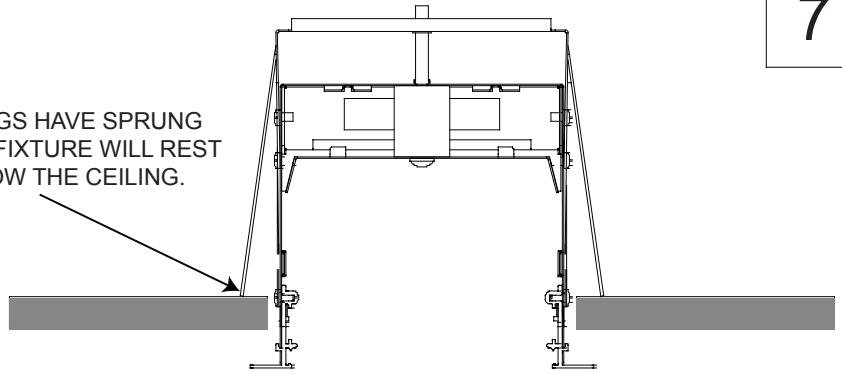
FIRST, BOTTOM OUT  
FLANGE ON CEILING  
SURFACE

NEXT, PUSH YOKE BOLT  
HEAD UP UNTIL YOKE  
LEGS SNAP OUT OVER  
DRYWALL

7

### FIXTURE INSTALLATION

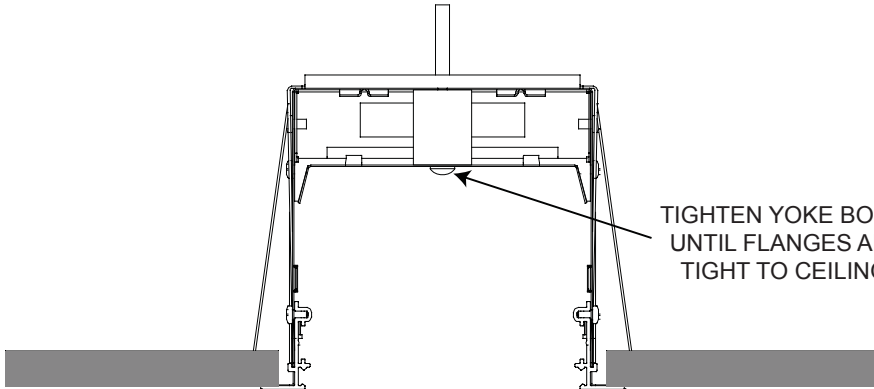
AFTER YOKE LEGS HAVE SPRUNG OUTWARDS, THE FIXTURE WILL REST ABOUT 1" BELOW THE CEILING.



**AMOUNT OF YOKES PER FIXTURE:**

- 2'3/4' FIXTURE - 2 YOKES
- 6'8' FIXTURE - 3 YOKES

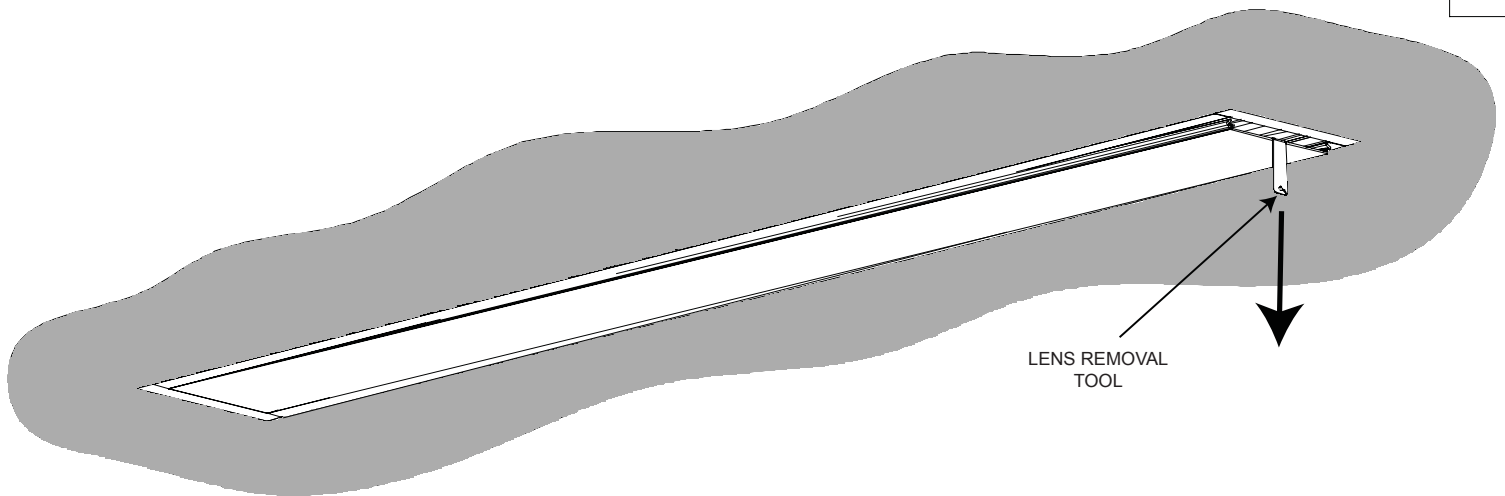
TIGHTEN YOKE BOLTS UNTIL FLANGES ARE TIGHT TO CEILING.



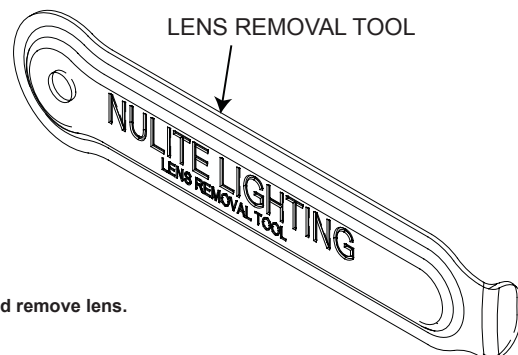
1. **WARNING - ELECTRICAL SHOCK OR FIRE - Disconnect power.**
2. Clean hands before handling the luminaire or use clean gloves.
3. Secure luminaire per all codes. Instead of Yoke (provided):
  - All-thread (SBO) can be secured to structure and passed through 1/4-20 hole
  - Air craft cable (SBO) can be secured to structure and passed though 1/4-20 hole

8

### LAMP INSTALLATION, MAINTENANCE and CLEANING



LENS REMOVAL TOOL



1. **WARNING - ELECTRICAL SHOCK or FIRE - Disconnect power.**
2. Gently insert lens removal tool at one end of the lens and pull down. Grab the exposed end and remove lens.
3. Install appropriate lamp(s) and re-install the lens.
4. Clean - Wipe down luminaire with a clean damp rag.
5. Connect power and make sure luminaire works properly.