

SISTEMALUX

SPECIFICATION SHEET

MINIZIP-PLUS ROUND DOWNLIGHT Ø5-3/8"

#S. _____
MODEL





MINIZIP-PLUS is a recessed downlight luminaire. It is fixed to the false ceiling by a heavy-duty bracket system. It conforms to all ceiling thickness' using fasteners located on the outer trim.

LAMPING: 1 X 35W HALOGEN MR-16 LOW VOLTAGE GU5,3 BASE

PROJECT NAME: _____

TYPE: _____

LAST UPDATE: FEBRUARY 24th, 2009

	FULL ACIDATED GLASS (42° BEAM)	SEMI-ACIDATED GLASS (44° BEAM)
ALUMINUM FRONT RING	 <input type="radio"/> S.4841	 <input type="radio"/> S.4842
STAINLESS STEEL FRONT RING	 <input type="radio"/> S.5841	 <input type="radio"/> S.5842

SINGLE CABLE ENTRY
W/ 3' CABLE

DIE CAST ALUM. BODY,
POWDER PAINTED FOR
HIGH CORROSION
RESISTANCE

ADJUSTABLE STIRRUP
(30° PIVOT)

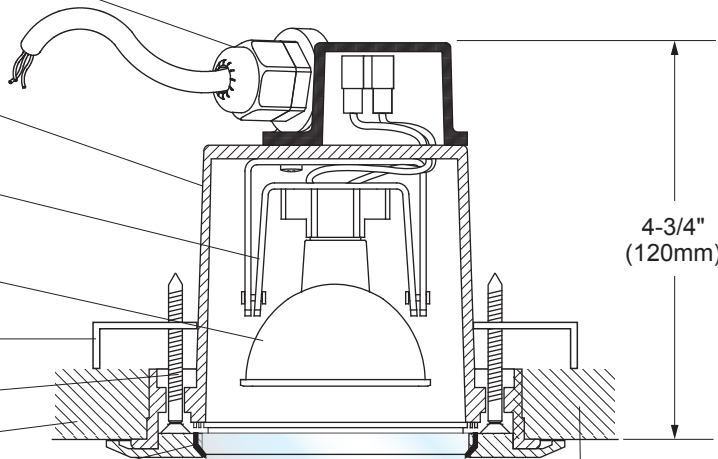
1 X 35W MR-16 HALOGEN
LOW VOLTAGE
(NOT INCLUDED)

FASTENING BRACKET

MOUNTING SCREW

CEILING

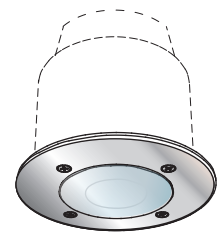
SILICONE GASKET



SECTION VIEW

4-3/4"
(120mm)

3/8" TO 1-1/8"
MATERIAL

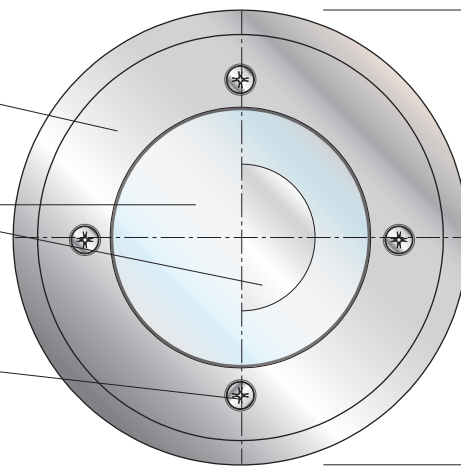


ISOMETRIC
VIEW

ALUMINUM OR
STAINLESS STEEL
FRONT RING

SEMI OR FULL
ACIDATED
GLASS, 3/8" THICK

STAINLESS STEEL
FASTENERS



BOTTOM VIEW

Ø5-3/8"
(135mm)



CUT-OUT
MINIMUM 4-1/2" (114mm)
MAXIMUM 4-5/8" (117mm)

USE SUITABLE REMOTE
TRANSFORMER

ACCESSORIES

DICHROIC COLORED
FILTERS

- S.5701 RED
- S.5702 BLUE
- S.5703 YELLOW
- S.5704 GREEN



5455 de Gaspé
suite 100, Montréal (Québec)
Canada H2T 3B3
P.: 514.523.1339 F.: 514.525.6107

MINIZIP-PLUS ROUND
DOWNLIGHT Ø5-3/8"