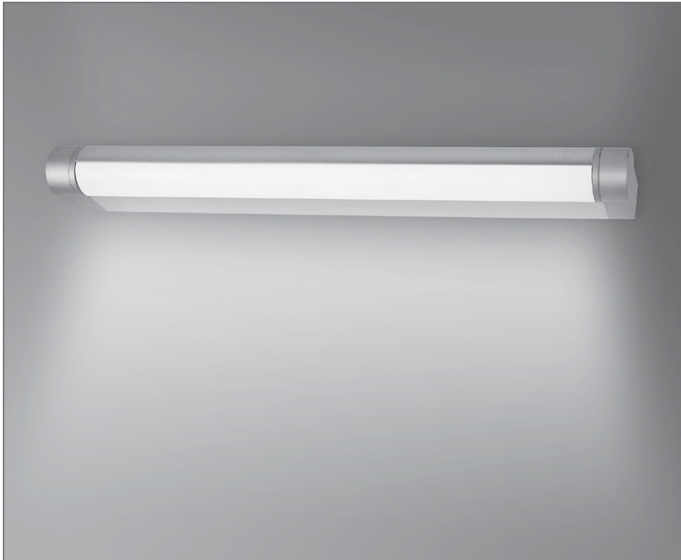


# HAILEY 225-RSM

2.25" Round LED Fixture  
Narrow LED Array

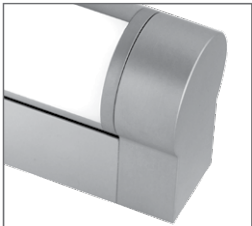
RSM - Rotational Surface Mount




Whether you're lighting the vertical or horizontal plane, HAILEY 225 Rotational Surface Mount (RSM) LED is the perfect lighting instrument to deliver even, efficient and fully-directional illumination to any specification grade lighting application.

This elegant 2.25" round linear LED luminaire features our 180° rotational lens system with positive stop, enabling exact aiming capabilities to place light specifically where you want it. HAILEY 225 RSM LED is ideal for commercial and architectural interior projects, such as: offices, institutional, retail, hospitality or health care.

The versatile elegance of HAILEY 225 RSM LED offers grace-in-motion for even the most demanding lighting specifiers.



 UL and c-UL listed for dry locations.



Made in the USA

## FIXTURE SPECIFICATIONS

### Construction

Heavy gauge 2.25" round extruded aluminum housing. Precision-machined end-caps. Extruded curved acrylic lenses specifically engineered to heat expand into exact position eliminating light leak. Fixtures are available in 2', 3', 4' and 5' nominal lengths.

### Mounting

Back housing is suitable for direct mounting to wall or hard-ceiling surfaces.

### Acrylic Lens Options

(FW) Frosted White, (FC) Frosted Clear and (LP) Clear Linear Prismatic.

### Finishes

(SC) Satin Clear anodized is standard finish. Other powder coat finishes available. Consult factory for details.

### LED Light Engine System

OSRAM® LED Light Engines are available as fully-populated (HF2N) or half-populated (HF2N-H) linear LED modules which provide highly uniform, intense illumination creating a virtual linear light source. Integral or remote drivers are available. Dimming as 1% pulse-width modulation (D1), or 10% current reduction dimming (D10). Emergency battery packs are available. Consult factory for availability and specifications.

### Custom and Mods

We proudly specialize in manufacturing custom and modified luminaires and have the ability to modify most of our standard fixtures. Please contact factory with any inquiries.



www.birchwoodlighting.com

Type: \_\_\_\_\_ Job Name: \_\_\_\_\_

**RSM - Rotational Surface Mount**

## SPECIFICATION CODE

### HAI225RSM-

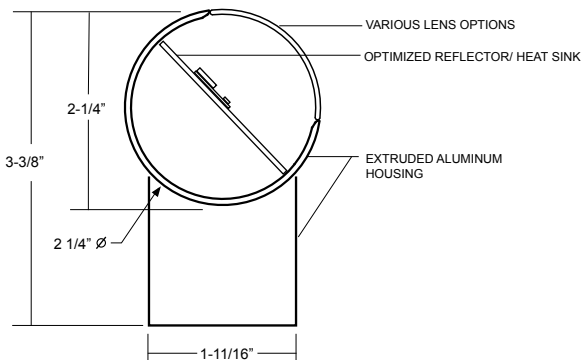
model light engine color temp length finish lens voltage driver option

Model	Light Engine	Color Temp	Nominal Length	Finish	Lens	Voltage	Driver	Option <sup>3</sup>
<b>HAI225RSM</b> 2.25" aperture Rotational Surface Mount	<b>HF2N</b> - Linear LED 10"	<b>30</b> - 3000K <b>35</b> - 3500K	<b>2</b> - 22 1/4" <b>3</b> - 32 1/4"	Anodized <b>SC</b> - Satin Clear	<b>FC</b> - Frosted Clear <b>FW</b> - Frosted White	<b>120</b> <b>277</b>	<b>EB</b> - Electronic  Dimming	<b>EM</b> - Emergency Battery Pack
	<b>HF2N-H</b> - Linear LED 10" half populated	<b>40</b> - 4000K	<b>4</b> - 42 1/4" <b>5</b> - 52 1/4"	Powder Coat <b>MW</b> - Matte White <b>FB</b> - Flat Black <b>CUP</b> - Custom <sup>1</sup>	<b>LP</b> - Linear Prismatic		<b>D1</b> - 1% 0-10V <sup>2</sup> <b>D10</b> - 10% 0-10V <sup>2</sup> <b>DHL</b> - Lutron Dimming Driver	

#### NOTES

- consult factory for custom finish
- remote only
- consult factory for EM options

### Dimensions



### LED

#### HF2N

Linear LED 10" with 102 emitters, 8.4W - 514 lumens or 10W/ft - 617 lumens at 4000K



#### HF2N-H (half populated module)

Linear LED 10" with 54 emitters, 4.2W - 257 lumens or 5W/ft - 308 lumens at 4000K



**Note:** Due to manufacturing processes LED color temperatures may have acceptable variances between modules.

LED supplement info