

CUTAWAY MODEL PARTS LIST CATALOG



JULY 2014



DISCLAIMER:

Fluid Power Training Institute™ (FPTI™) reserves the right to substitute items shown with items of similar or higher quality.

CUTAWAY MODELS

Over-center, Variable Displacement Pump

P/N: HC-VDP-CM

FEATURES -

- Cutaway of pump housing to expose internal components.
- Cutaway of rear cover to expose pressure relief valve.
- Cutaway of barrel to expose pistons.
- Cutaway of charge pump housing to expose charge pump and charge pressure relief valve.
- Moveable swashplate.
- Large knob on output shaft for easy rotation.



Axial Piston, Variable Volume, Pressure-compensated Pump

P/N: HC-PCP-CM

FEATURES -

- Cutaway of barrel to expose pistons.
- Cutaway of pump housing to expose internal parts.
- Cutaway of pressure compensator to expose all internal passages.
- Large knob on output shaft for easy rotation.



Gear Pump

P/N: HC-GP-CM

FEATURES -

This outstanding cutaway model has the pump housing cutaway so students can actually see, while rotating the drive shaft, exactly how a gear pump works.



CUTAWAY MODELS

D08 Directional Control Valve

P/N: HC-DCV-08-CM

FEATURES -

Let students see exactly how the oil flows within a two-stage D08 size directional control valve with this stunning cutaway. It is also designed to help them understand how to convert a D08 valve from internal pilot to external pilot and vice-versa.



Mobile Directional Control Valve

P/N: HC-MDCV-CM

FEATURES -

- Single section cutaway of valve to expose:
 - Moveable spool
 - Load check valve(s)
 - Cylinder port relief valve(s)
 - Anti-cavitation valve(s)



Mobile Directional Control Valve w/Load Sense

P/N: HC-MDCV-CM-LS

FEATURES -

- Single section cutaway of valve to expose:
 - Moveable spool
 - Load check valve(s)
 - Cylinder port relief valve(s)
 - Anti-cavitation valve(s)
- Clear acrylic load-sense module attached to top of valve to show how load-sensing works



Orbitrol Steering Valve

P/N: HC-OSV-CM

FEATURES -

- Cutaway of the metering unit.
- Cutaway of the spool and sleeve assembly.
- Cutaway of the centering springs.



Pilot-operated Pressure Relief Valve

P/N: HC-PORV-CM

FEATURES -

A pilot-operated pressure relief valve consists of two direct-operated relief valves. The interaction of these two valves is sometimes difficult for students to grasp. When students can see inside the valve, while the instructor is explaining how it works with the color-coordinated PowerPoint® slides, they will quickly grasp the valve's function.

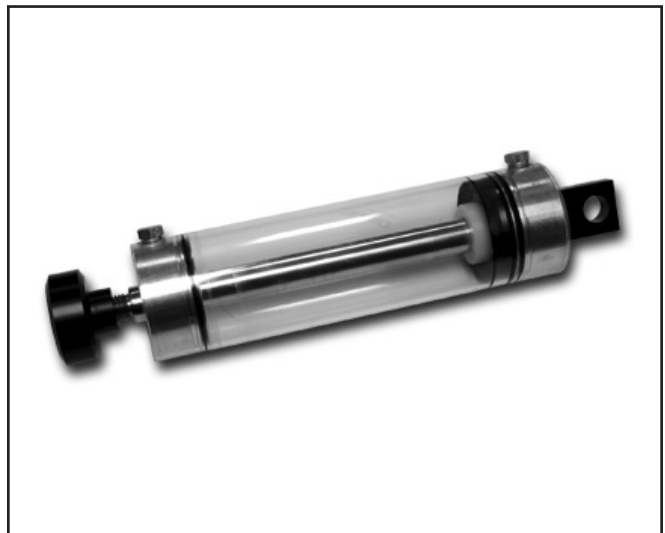


Double-acting Single-Rod Cylinder with Cushions

P/N: HC-DAC-CM

FEATURES -

- Clear acrylic cylinder tube to expose:
 - Cushions
 - Cylinder piston
 - Cylinder rod
- Breathers on ports allow easy movement of cylinder rod.



CUTAWAY MODELS

QTY.

OVER-CENTER, VARIABLE DISPLACEMENT PUMP	HC-VDP-CM	\$1,512.00	<input type="checkbox"/>
AXIAL PISTON, VARIABLE VOLUME, PRESSURE-COMPENSATED PUMP	HC-PCP-CM	\$1,655.00	<input type="checkbox"/>
GEAR PUMP	HC-GP-CM	\$947.00	<input type="checkbox"/>
D08 DIRECTIONAL CONTROL VALVE	HC-DCV-08-CM	\$1,404.00	<input type="checkbox"/>
MOBILE DIRECTIONAL CONTROL VALVE	HC-MDCV-CM	\$930.00	<input type="checkbox"/>
MOBILE DIRECTIONAL CONTROL VALVE w/LOAD-SENSE	HC-MDCV-CM-LS	\$1,128.00	<input type="checkbox"/>
ORBITROL STEERING VALVE	HC-OSV-CM	\$1,130.00	<input type="checkbox"/>
PILOT-OPERATED PRESSURE RELIEF VALVE	HC-PORV-CM	\$1,002.00	<input type="checkbox"/>
DOUBLE-ACTING CYLINDER W/CUSHIONS	HC-DAC-CM	\$539.00	<input type="checkbox"/>

Mail your order to:

FLUID POWER TRAINING INSTITUTE™
2170 South 3140 West
SALT LAKE CITY, UTAH, 84119

Fax your order to:

FAX: 801.908.5734

Call-in your order to:

PH: 801.908.5456

SHIP TO ADDRESS:

Name: _____
Company: _____
Address: _____
City: _____
State: _____ Zipcode: _____
Phone: (_____) _____ - _____

(Required to process order)

BILL TO ADDRESS: (If different than ship to address)

Name: _____
Company: _____
Address: _____
City: _____
State: _____ Zipcode: _____
Email (required): _____

CREDIT CARD INFORMATION:

MasterCard VISA American Ex-press

Credit Card Number: _____
Expiration Date: _____
Name on card: _____
Signature: _____

Merchandise Subtotal: \$ _____
UT residents add state sales tax: \$ _____
Merchandise Total: \$ _____

Special Instructions:

Distributed by:



2170 South 3140 West
West Valley City, UT 84119
PH: 801.908.5456
FX: 801.908.5734

<http://www.fpti.org>
<http://www.fluidpowertrainingsystems.com>