

www.vitraform.com
Fax 303.292.1161
800.338.5725

3500 Blake St. Denver, CO 80205

VITRAFORM™

A Specify Model

Rectangular front Countersink

Item	Description	Retail Price
300	Single Round Basin	see page 3.4.1
302	Double Round Basin	see page 3.4.2
303	Triple Round Basin	see page 3.4.3
350	Single Oval Basin	see page 3.4.4
352	Double Oval Basin	see page 3.4.5
353	Triple Oval Basin	see page 3.4.6

Radius front Countersink

Item	Description	Retail Price
400	Single Round Basin	see page 3.5.1
402	Double Round Basin	see page 3.5.2
403	Triple Round Basin	see page 3.5.3
450	Single Oval Basin	see page 3.5.4
452	Double Oval Basin	see page 3.5.5
453	Triple Oval Basin	see page 3.5.6

B Specify Glass Color

Item	Group 1	Item	Group 2	Item	Group 3
C	Clear	P	Peach	T	Cobalt
S	Starphire	A	Azurlite	B	Blue
Z	Bronze	X	Solex	W	White
G	Grey			L	Cristal
K	Black			Q	Cristal Antq

C Specify Glass Finish

Item	Description	Add'l Cost
P	Polished	NC
F	Frosted 20" - 36" width	\$ 145.00
F	Frosted 37" - 60" width	\$ 175.00
F	Frosted 61" - 84" width	\$ 220.00
O	Translucent White Lamination (Same Add'l Cost as Frosted Finish above)	

D Overflow For specification only.

Item	Description
F	Overflow, Round or Oval
C	Overflow collar only

Order overflow or collar separately on order form 3.2.1
See section B.1.4 for metal finish costs and codes.

E Specify Width (* in 6" incremental price groups)

Minimum width 20", Maximum width 84"
*Please write exact dimension in "Custom Options"
on Order Form for Item E if other than standard
6 in. increments.
Size represents dimension from finished wall in inches.

F Installation Type See Hardware pgs B.2.1-4 for options.

Item	Description	Add'l Cost
A	*Recessed in back wall (Standard for 1/2" drywall)	NA
B	Vanity or Flush Clip (butt to back wall)	NA
C	Surface clips at back	NA
X	Other	NA

* Specify thickness of wall finish in "Install Hardware" box on Order Form pg 3.2.1

G Faucet Projection in inches (rounded), for coordination only.

Item	Description
6	6" wall mount
8	8" wall mount
9	9" wall mount
X	*Custom (other than above, or any deck mount faucet)

* Provide hole placement in "Faucet Specifications" box on Order Form pg 3.2.1 and attach manufacturer's specifications.

H Standard or Custom

Item	Description	Add'l Cost
C	Custom Options	
	* Holes for faucet, 840 drain, legs, ea.	\$ 75.00
	**Custom counter shapes	NC
	Position of bowl(s) non-centered	NC
	Other (attach drawing)	
S	Standard Models	NA
	No holes or custom options included	

* Attach manufacturer's spec for deck or wall faucet.
Specify counter height for Console Legs in "Custom Options" on Order Form pg 3.2.1
** Requires hard template with order. Design charges may apply.

I Engraving See pg A.2.1-3 for engraved designs.

Item	Description	Item	Description
00	None	18	Roman border
11	Empire	20	Moderne (round only)
12	Floral	28	Fine Lines
13	Victorian	25	1960
14	Deco	29	Bamboo
15	Tulip	33	Zebra
16	Tulip border	99	Custom
17	Traditional border		

Request Quote for all engraving on Countersinks

Engraving on Countersink widths of up to 36" only.
Engraving may be on Basin and/or Counter.
Prices by quotation based on size.
Engraving not available on Black or Cobalt.
Minimum \$200.00 sample charge for custom designs.

Example	Specify these items separately if required:
Order No: 452 B F C 66 A 6 S 00	1. Mounting System for Countersink (see pgs B.2.1-4) 2. Drain (see pg B.1.1) 3. Vanity (see Section C.0)
A Double Oval Basin Countersink Radius Front	
B Blue glass	
F Frosted finish	
C No Overflow	
66 Counter Width in inches (rounded up to 6" increment for price)	
A Recessed into wall at back	
6 Specification for wall mount spout projection (6")	
S Standard (no faucet holes or custom options)	
00 No engraving	

P.O. No: _____ Date: _____ Sales Person: _____ Tel: _____ Ext: _____

www.vitraform.com

3500 Blake St. Denver, CO 80205

VITRAFORM™

Glass Order	Quantity: _____ Please use additional Order Forms for non-identical orders.									
	Order No:	_____	_____	_____	_____	_____	_____	_____	_____	_____
	Price: \$	_____	NA	_____	NA	_____	NA	_____	NA	_____

Overflow	Required, please choose one. See Hardware pg B.1.4 <input type="checkbox"/> Overflow <input type="checkbox"/> Overflow Collar	Qty.	Item / Fin. #	Price	Faucet Specifications	Custom Faucet Specification Deck mount faucet <input type="checkbox"/> Single Hole* <input type="checkbox"/> Wide spread* <input type="checkbox"/> Position in straight line <input type="checkbox"/> Follow line of bowl <input type="checkbox"/> Center to Center (specify dimension): _____ *For Deck mount faucets attach manufacturer's specifications for spout projection, escutcheon size and hole size(s). Wall mount faucet <input type="checkbox"/> Wall spout projection (specify dimension): _____					
Drain Sets	See Hardware pg B.1.1 <input type="checkbox"/> Grid Set US/Euro <input type="checkbox"/> ADA Grid Set US/Euro <input type="checkbox"/> Pivot Drain Set US/Euro <input type="checkbox"/> Lever Pop-up Set US/Euro <input type="checkbox"/> Remote Pop-up Set US/Euro <input type="checkbox"/> Dome Open Set US/Euro <input type="checkbox"/> Dome Pop-up Set US/Euro					Custom Options	Console Leg Specifications Counter height (specify dimension): _____ Position of legs <input type="checkbox"/> Standard <input type="checkbox"/> Other (attach drawing)				
Install Hdwr	See Hardware Pages B.2.1-B.2.4 for options. _____ Mounting System Specify thickness of Wall finish for recessed installation "A": _____						Custom Counter <input type="checkbox"/> Size: enter exact dimensions Width: _____ Depth: _____ <input type="checkbox"/> Shape (attach drawing or provide hard template) <input type="checkbox"/> Position of bowl (provide specification if other than centered) <input type="checkbox"/> Other (attach drawing)				

Net Crating Charge	Up to 2 Countersinks per crate. <input type="checkbox"/> 20-42" width: \$100.00 <input type="checkbox"/> 43-60" width: \$150.00 <input type="checkbox"/> 61-84" width: \$200.00
---------------------------	---

Shipping Information	Ship Via: <input type="checkbox"/> Common Carrier <input type="checkbox"/> Best Way <input type="checkbox"/> Specify Truck Line			
	Bill to:			
	Company Name		Contact	
	Address		City	State Zip
	Phone		Fax	Email
	Ship to:			
	Name			
	Shipping Address		City	State Zip
	Phone		Contact	
	More Info: Ship Roughs Ahead: <input type="checkbox"/> YES <input type="checkbox"/> NO Date required Mark boxes Other			

COUNTERSINK 300/400


Round Countersink

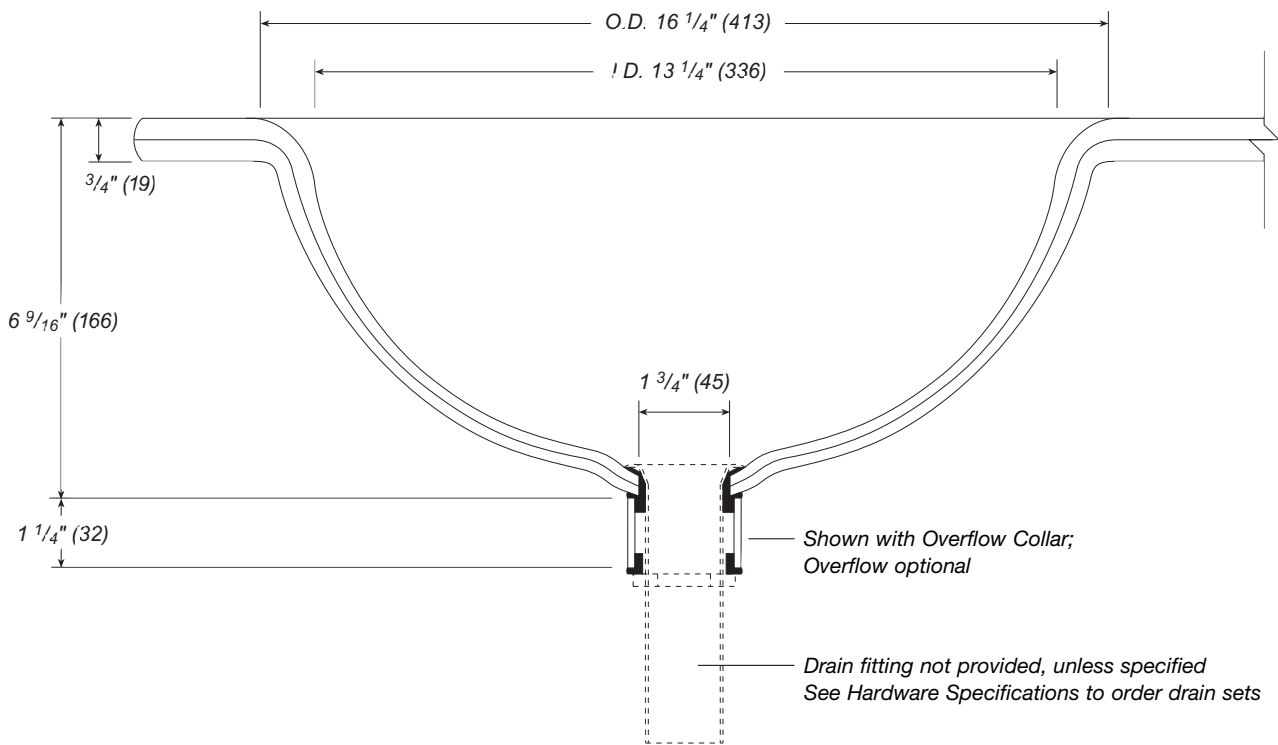
Rectangular Front Countersink Item No. 300
 Radius Front Countersink Item No. 400

Available in standard widths from 20" (508) to 84" (2132),
 with up to 3 bowls. Custom sizes and shapes by request.

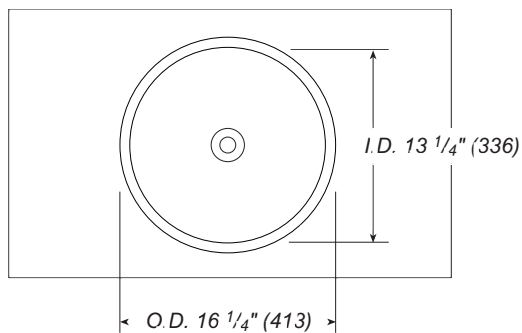
See Hardware Specification pgs B.2.1-4 for Vitraform Countersink mounting systems.

Available with or without overflow
 For Basins ordered without Overflow, Overflow Collar is *required* to install drain
 See Hardware pg B.1.4 for metal finishes

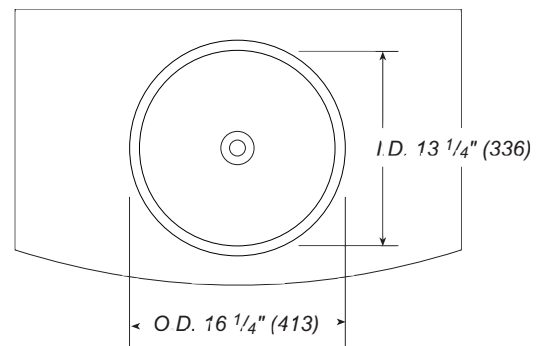
 See pg 3.d for Installation of this product to meet ADA guidelines.



Rectangular Front Countersink Item No. 300



Radius Front Countersink Item No. 400

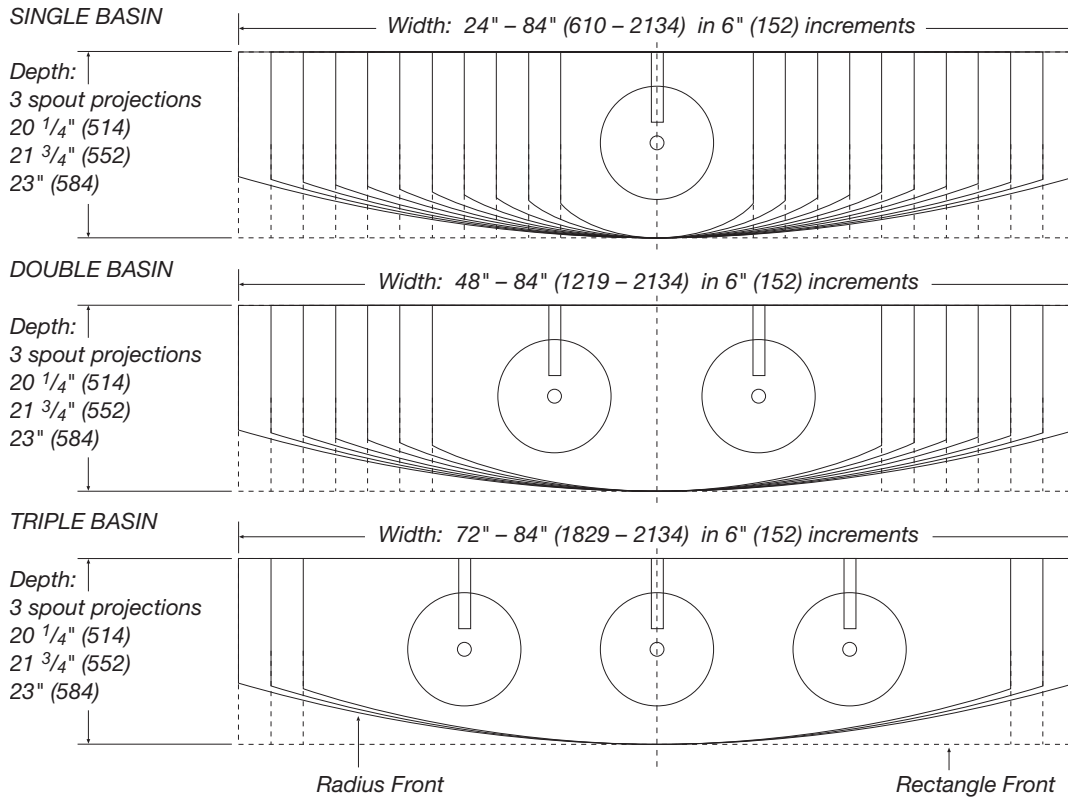


Tel 303.295.1010 800.338.5725 Fax 303.292.1161 www.vitraform.com
 3500 Blake St. Denver, CO 80205

VITRAFORM™

COUNTERSINK 300/400

Range of standard specifications for Round Countersinks.



NOTES:

Dimensions in drawing above are for Rectangular Countersinks only. Please refer to pgs 3.5.1-3 for exact Radius Countersink dimensions.

Round and Oval basins each have their own depth dimensions to coordinate with three average wall spout projections (6", 8", 9").

For Deck mounted faucets use the deepest dimension. Provide faucet manufacturer's specifications.

Standard configurations (shown above) are radius front or rectangular front. For unusual shapes, off center basins, holes for deck-mounted faucets and other custom options, please submit detailed drawings to the factory.

Countersinks are priced in 6-inch increments, but fabricated to exact specification. Shop drawings provided for standard and custom tops.

See support systems in Hardware Specification pgs B.2.1-4.

COUNTERSINK 350/450


Oval Countersink

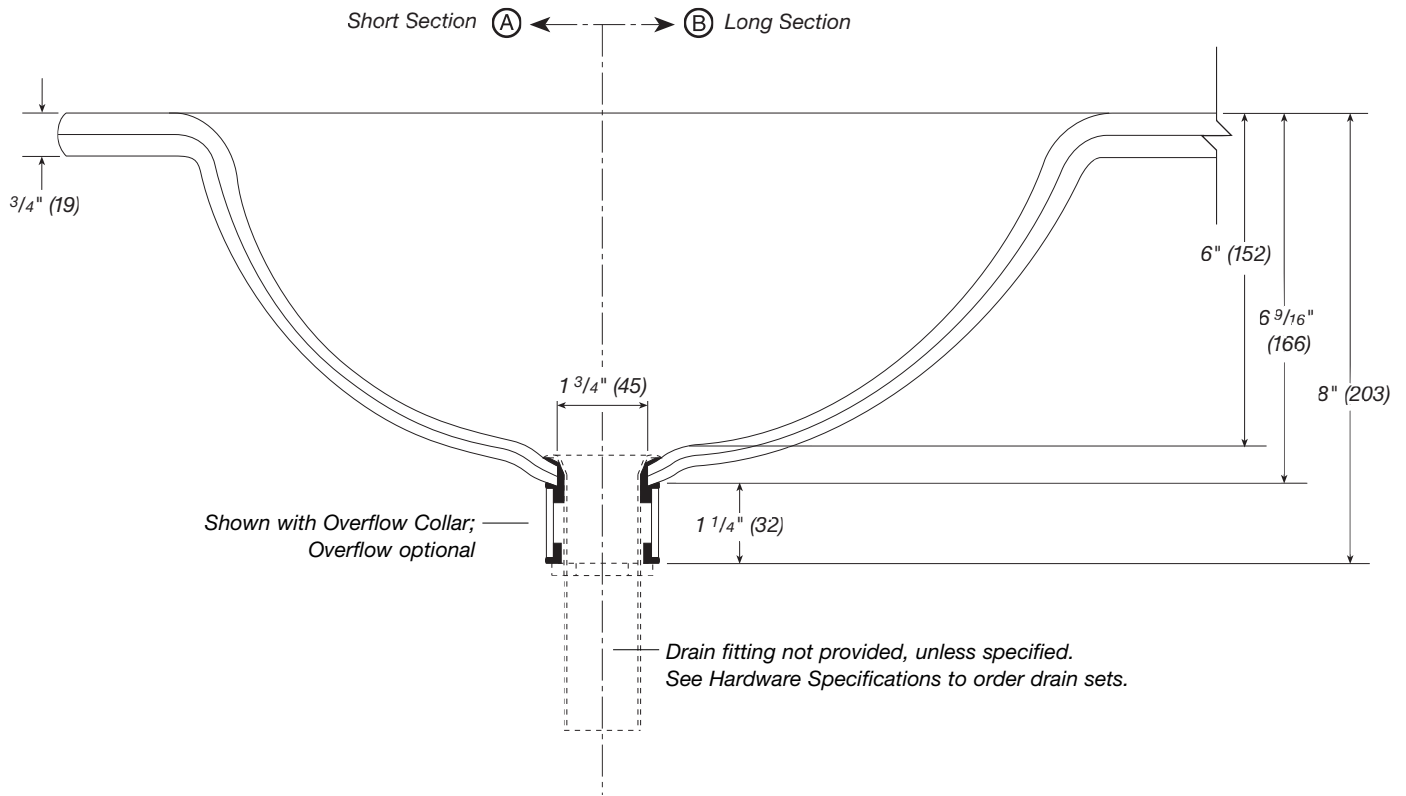
Rectangular Front Countersink Item No. 350
 Radius Front Countersink Item No. 450

Available in standard widths from 20" (508) to 84" (2132),
 with up to 3 bowls. Custom sizes and shapes by request.

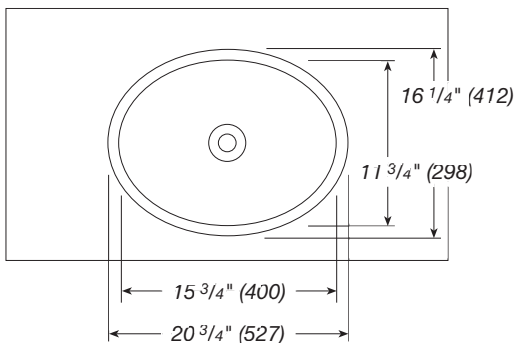
See Hardware Specification pgs B.2.1-4 for Vitraform Countersink mounting systems.

Available with or without overflow
 For Basins ordered without Overflow, Overflow Collar is *required* to install drain
 See Hardware pg B.1.4 for metal finishes

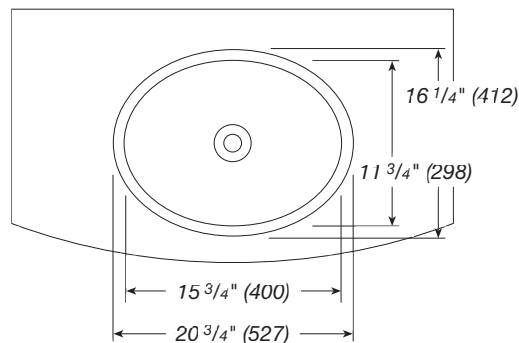
 See pg 3.d for Installation of this product to meet ADA guidelines.



Rectangular Front Countersink Item No. 350

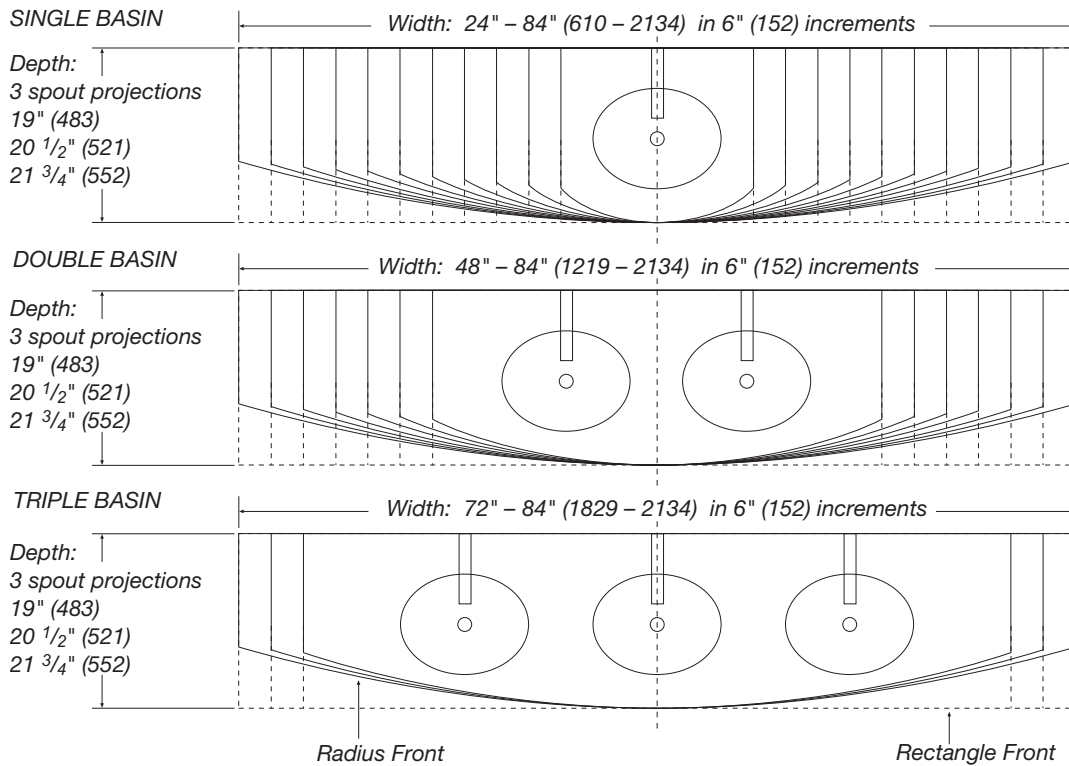


Radius Front Countersink Item No. 450



COUNTERSINK 350/450

Range of standard specifications for Oval Countersinks.



NOTES:

Dimensions in drawing above are for Rectangular Countersinks only. Please refer to pgs 3.5.4-6 for exact Radius Countersink dimensions.

Round and Oval basins each have their own depth dimensions to coordinate with three average wall spout projections (6", 8", 9").

For Deck mounted faucets use the deepest dimension. Provide faucet manufacturer's specifications.

Standard configurations (shown above) are radius front or rectangular front. For unusual shapes, off center basins, holes for deck-mounted faucets and other custom options, please submit detailed drawings to the factory.

Countersinks are priced in 6-inch increments, but fabricated to exact specification. Shop drawings provided for standard and custom tops.

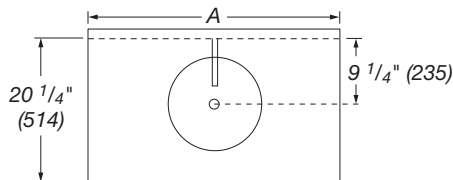
See support systems in Hardware Specification pgs B.2.1-4.

Standard configurations for Countersinks

Rectangular Front Counter with Single Round Integral Basin

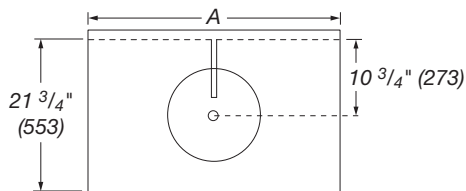
Spout No. 6: Wall Faucet

Projection 6-7" (152-178)



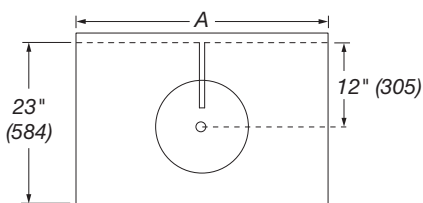
Spout No. 8: Wall Faucet

Projection 7-8" (178-203)



Spout No. 9: Wall Faucet

Projection 9-10" (229-250)



NOTE:

Drawings above show recess into wall.
Measurements are from finished wall.
Refer to pgs B.2.1-4 for variations.

Wall mount faucet spout projections are for an average range of spouts. A custom drawing for approval will be provided for other spout projections or deck mounted faucets.

Item No.	Spout No.	Dim A	Color Group 1	Color Group 2	Color Group 3
			Clear Starphire® Bronze Grey Black	Peach Azurlite® Solex®	Cobalt White Blue Cristal Cristal Antq
300	6	24" (607)	\$ 2345.00	\$ 2450.00	\$ 2665.00
300	8	24"	\$ 2345.00	\$ 2450.00	\$ 2665.00
300	9	24"	\$ 2345.00	\$ 2450.00	\$ 2665.00
300	6	30" (762)	\$ 2495.00	\$ 2625.00	\$ 2890.00
300	8	30"	\$ 2495.00	\$ 2625.00	\$ 2890.00
300	9	30"	\$ 2495.00	\$ 2625.00	\$ 2890.00
300	6	36"* (914)	\$ 2645.00	\$ 2805.00	\$ 3120.00
300	8	36"*	\$ 2645.00	\$ 2805.00	\$ 3120.00
300	9	36"*	\$ 2645.00	\$ 2805.00	\$ 3120.00
300	6	42" (1041)	\$ 2795.00	\$ 2980.00	\$ 3350.00
300	8	42"	\$ 2795.00	\$ 2980.00	\$ 3350.00
300	9	42"	\$ 2795.00	\$ 2980.00	\$ 3350.00
300	6	48" (1219)	\$ 2945.00	\$ 3155.00	\$ 3575.00
300	8	48"	\$ 2945.00	\$ 3155.00	\$ 3575.00
300	9	48"	\$ 2945.00	\$ 3155.00	\$ 3575.00
300	6	54" (1372)	\$ 3095.00	\$ 3330.00	\$ 3805.00
300	8	54"	\$ 3095.00	\$ 3330.00	\$ 3805.00
300	9	54"	\$ 3095.00	\$ 3330.00	\$ 3805.00
300	6	60" (1524)	\$ 3245.00	\$ 3510.00	\$ 4035.00
300	8	60"	\$ 3245.00	\$ 3510.00	\$ 4035.00
300	9	60"	\$ 3245.00	\$ 3510.00	\$ 4035.00
300	6	66" (1674)	\$ 3395.00	\$ 3685.00	\$ 4265.00
300	8	66"	\$ 3395.00	\$ 3685.00	\$ 4265.00
300	9	66"	\$ 3395.00	\$ 3685.00	\$ 4265.00
300	6	72" (1829)	\$ 3540.00	\$ 3860.00	\$ 4490.00
300	8	72"	\$ 3540.00	\$ 3860.00	\$ 4490.00
300	9	72"	\$ 3540.00	\$ 3860.00	\$ 4490.00
300	6	78" (1981)	\$ 3690.00	\$ 4035.00	\$ 4720.00
300	8	78"	\$ 3690.00	\$ 4035.00	\$ 4720.00
300	9	78"	\$ 3690.00	\$ 4035.00	\$ 4720.00
300	6	84" (2137)	\$ 3840.00	\$ 4210.00	\$ 4950.00
300	8	84"	\$ 3840.00	\$ 4210.00	\$ 4950.00
300	9	84"	\$ 3840.00	\$ 4210.00	\$ 4950.00

Retail Price Shown. Round price up to nearest 6" increment.

*36" In Stock Quick Ship \$ 2000.00 Clear and Starphire® color only, no holes.

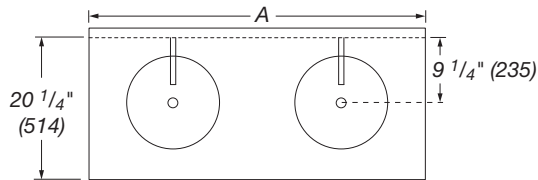
Dimensions shown in inches (millimeters)

Standard configurations for Countersinks

Rectangular Front Counter with Double Round Integral Basin

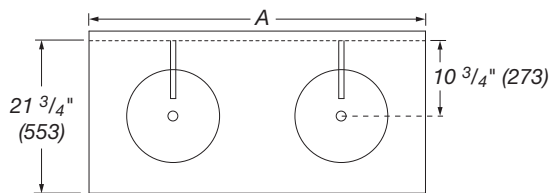
Spout No. 6: Wall Faucet

Projection 6-7" (152-178)



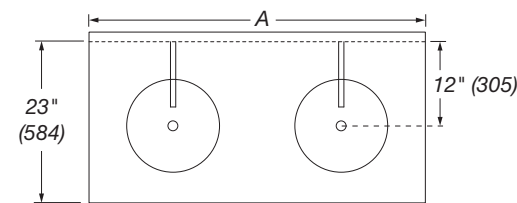
Spout No. 8: Wall Faucet

Projection 7-8" (178-203)



Spout No. 9: Wall Faucet

Projection 9-10" (229-250)



NOTE:

Drawings above show recess into wall.
Measurements are from finished wall.
Refer to pgs B.2.1-4 for variations.

Wall mount faucet spout projections are for an average range of spouts.
A custom drawing for approval will be provided for other spout projections or deck mounted faucets.

Item No.	Spout No.	Dim. A	Color Group 1	Color Group 2	Color Group 3
			Clear Starphire® Bronze Grey Black	Peach Azurlite® Solex®	Cobalt White Blue Cristal Cristal Antq
302	6	48" (1219)	\$ 4045.00	\$ 4255.00	\$ 4675.00
302	8	48"	\$ 4045.00	\$ 4255.00	\$ 4675.00
302	9	48"	\$ 4045.00	\$ 4255.00	\$ 4675.00
302	6	54" (1372)	\$ 4195.00	\$ 4430.00	\$ 4905.00
302	8	54"	\$ 4195.00	\$ 4430.00	\$ 4905.00
302	9	54"	\$ 4195.00	\$ 4430.00	\$ 4905.00
302	6	60" (1524)	\$ 4345.00	\$ 4605.00	\$ 5135.00
302	8	60"	\$ 4345.00	\$ 4605.00	\$ 5135.00
302	9	60"	\$ 4345.00	\$ 4605.00	\$ 5135.00
302	6	66" (1674)	\$ 4490.00	\$ 4785.00	\$ 5365.00
302	8	66"	\$ 4490.00	\$ 4785.00	\$ 5365.00
302	9	66"	\$ 4490.00	\$ 4785.00	\$ 5365.00
302	6	72" (1829)	\$ 4640.00	\$ 4960.00	\$ 5590.00
302	8	72"	\$ 4640.00	\$ 4960.00	\$ 5590.00
302	9	72"	\$ 4640.00	\$ 4960.00	\$ 5590.00
302	6	78" (1981)	\$ 4790.00	\$ 5135.00	\$ 5820.00
302	8	78"	\$ 4790.00	\$ 5135.00	\$ 5820.00
302	9	78"	\$ 4790.00	\$ 5135.00	\$ 5820.00
302	6	84" (2137)	\$ 4940.00	\$ 5310.00	\$ 6050.00
302	8	84"	\$ 4940.00	\$ 5310.00	\$ 6050.00
302	9	84"	\$ 4940.00	\$ 5310.00	\$ 6050.00

Retail Price Shown. Round price up to nearest 6" increment.
Dimensions shown in inches (millimeters)

Standard configurations for Countersinks

Rectangular Front Counter with Triple Round Integral Basin

Color Group 1	Color Group 2	Color Group 3
Clear	Peach	Cobalt
Starphire®	Azurlite®	White
Bronze	Solex®	Blue
Grey		Cristal
Black		Cristal Antq

Item No.	Spout No.	Dim. A			
303	6	72" (1829)	\$ 5740.00	\$ 6060.00	\$ 6690.00
303	8	72"	\$ 5740.00	\$ 6060.00	\$ 6690.00
303	9	72"	\$ 5740.00	\$ 6060.00	\$ 6690.00
303	6	78" (1981)	\$ 5890.00	\$ 6235.00	\$ 6920.00
303	8	78"	\$ 5890.00	\$ 6235.00	\$ 6920.00
303	9	78"	\$ 5890.00	\$ 6235.00	\$ 6920.00
303	6	84" (2137)	\$ 6040.00	\$ 6410.00	\$ 7150.00
303	8	84"	\$ 6040.00	\$ 6410.00	\$ 7150.00
303	9	84"	\$ 6040.00	\$ 6410.00	\$ 7150.00

NOTE:

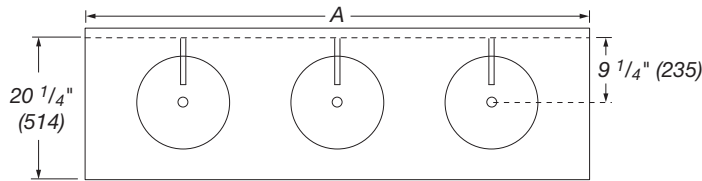
Drawings below show recess into wall.
Measurements are from finished wall.
Refer to pgs B.2.1-4 for variations.

Wall mount faucet spout projections are for an average range of spouts.
A custom drawing for approval will be provided for other spout projections or deck mounted faucets.

Retail Price Shown. Round price up to nearest 6" increment.
Dimensions shown in inches (millimeters)

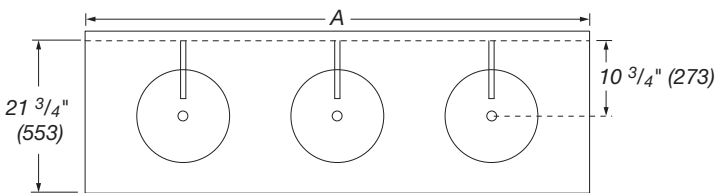
Spout No. 6: Wall Faucet

Projection 6-7" (152-178)



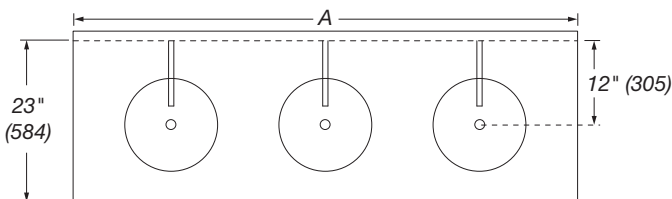
Spout No. 8: Wall Faucet

Projection 7-8" (178-203)



Spout No. 9: Wall Faucet

Projection 9-10" (229-250)



Tel 303.295.1010 800.338.5725 Fax 303.292.1161 www.vitraform.com

3500 Blake St. Denver, CO 80205

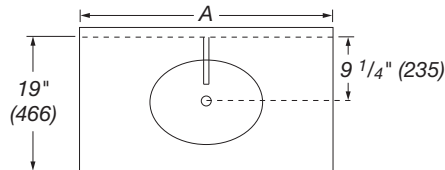
VITRAFORM™

Standard configurations for Countersinks

Rectangular Front Counter with Single Oval Integral Basin

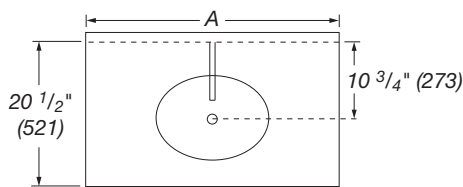
Spout No. 6: Wall Faucet

Projection 6-7" (152-178)



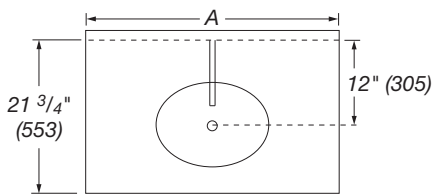
Spout No. 8: Wall Faucet

Projection 7-8" (178-203)



Spout No. 9: Wall Faucet

Projection 9-10" (229-250)



NOTE:

Drawings above show recess into wall.
Measurements are from finished wall.
Refer to pgs B.2.1-4 for variations.

Wall mount faucet spout projections are for an average range of spouts.
A custom drawing for approval will be provided for other spout projections or deck mounted faucets.

Item No.	Spout No.	Dim. A	Color Group 1	Color Group 2	Color Group 3
			Clear Starphire® Bronze Grey Black	Peach Azurlite® Solex®	Cobalt White Blue Cristal Cristal Antq
350	6	24" (607)	\$ 2345.00	\$ 2450.00	\$ 2665.00
350	8	24"	\$ 2345.00	\$ 2450.00	\$ 2665.00
350	9	24"	\$ 2345.00	\$ 2450.00	\$ 2665.00
350	6	30" (762)	\$ 2495.00	\$ 2625.00	\$ 2890.00
350	8	30"	\$ 2495.00	\$ 2625.00	\$ 2890.00
350	9	30"	\$ 2495.00	\$ 2625.00	\$ 2890.00
350	6	36"* (914)	\$ 2645.00	\$ 2805.00	\$ 3120.00
350	8	36"*	\$ 2645.00	\$ 2805.00	\$ 3120.00
350	9	36"*	\$ 2645.00	\$ 2805.00	\$ 3120.00
350	6	42" (1041)	\$ 2795.00	\$ 2980.00	\$ 3350.00
350	8	42"	\$ 2795.00	\$ 2980.00	\$ 3350.00
350	9	42"	\$ 2795.00	\$ 2980.00	\$ 3350.00
350	6	48" (1219)	\$ 2945.00	\$ 3155.00	\$ 3575.00
350	8	48"	\$ 2945.00	\$ 3155.00	\$ 3575.00
350	9	48"	\$ 2945.00	\$ 3155.00	\$ 3575.00
350	6	54" (1372)	\$ 3095.00	\$ 3330.00	\$ 3805.00
350	8	54"	\$ 3095.00	\$ 3330.00	\$ 3805.00
350	9	54"	\$ 3095.00	\$ 3330.00	\$ 3805.00
350	6	60" (1524)	\$ 3245.00	\$ 3510.00	\$ 4035.00
350	8	60"	\$ 3245.00	\$ 3510.00	\$ 4035.00
350	9	60"	\$ 3245.00	\$ 3510.00	\$ 4035.00
350	6	66" (1674)	\$ 3395.00	\$ 3685.00	\$ 4265.00
350	8	66"	\$ 3395.00	\$ 3685.00	\$ 4265.00
350	9	66"	\$ 3395.00	\$ 3685.00	\$ 4265.00
350	6	72" (1829)	\$ 3540.00	\$ 3860.00	\$ 4490.00
350	8	72"	\$ 3540.00	\$ 3860.00	\$ 4490.00
350	9	72"	\$ 3540.00	\$ 3860.00	\$ 4490.00
350	6	78" (1981)	\$ 3690.00	\$ 4035.00	\$ 4720.00
350	8	78"	\$ 3690.00	\$ 4035.00	\$ 4720.00
350	9	78"	\$ 3690.00	\$ 4035.00	\$ 4720.00
350	6	84" (2137)	\$ 3840.00	\$ 4210.00	\$ 4950.00
350	8	84"	\$ 3840.00	\$ 4210.00	\$ 4950.00
350	9	84"	\$ 3840.00	\$ 4210.00	\$ 4950.00

Retail Price Shown. Round price up to nearest 6" increment.

*36" In Stock Quick Ship \$ 2000.00 Clear and Starphire® color only, no holes.

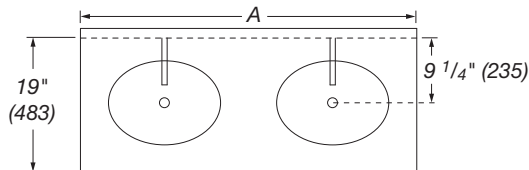
Dimensions shown in inches (millimeters)

Standard configurations for Countersinks

Rectangular Front Counter with Double Oval Integral Basin

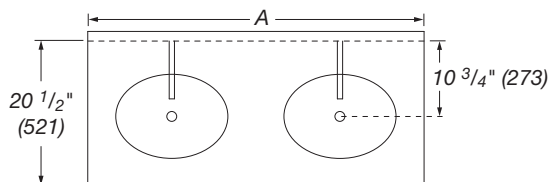
Spout No. 6: Wall Faucet

Projection 6-7" (152-178)



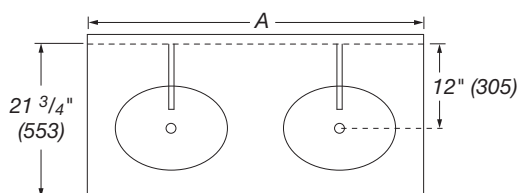
Spout No. 8: Wall Faucet

Projection 7-8" (178-203)



Spout No. 9: Wall Faucet

Projection 9-10" (229-250)



NOTE:

Drawings above show recess into wall.
Measurements are from finished wall.
Refer to pgs B.2.1-4 for variations.

Wall mount faucet spout projections are for an average range of spouts.
A custom drawing for approval will be provided for other spout projections or deck mounted faucets.

Item No.	Spout No.	Dim. A	Color Group 1	Color Group 2	Color Group 3
			Clear Starphire® Bronze Grey Black	Peach Azurlite® Solex®	Cobalt White Blue Cristal Cristal Antq
352	6	48" (1219)	\$ 4045.00	\$ 4255.00	\$ 4675.00
352	8	48"	\$ 4045.00	\$ 4255.00	\$ 4675.00
352	9	48"	\$ 4045.00	\$ 4255.00	\$ 4675.00
352	6	54" (1372)	\$ 4195.00	\$ 4430.00	\$ 4905.00
352	8	54"	\$ 4195.00	\$ 4430.00	\$ 4905.00
352	9	54"	\$ 4195.00	\$ 4430.00	\$ 4905.00
352	6	60" (1524)	\$ 4345.00	\$ 4605.00	\$ 5135.00
352	8	60"	\$ 4345.00	\$ 4605.00	\$ 5135.00
352	9	60"	\$ 4345.00	\$ 4605.00	\$ 5135.00
352	6	66" (1674)	\$ 4490.00	\$ 4785.00	\$ 5365.00
352	8	66"	\$ 4490.00	\$ 4785.00	\$ 5365.00
352	9	66"	\$ 4490.00	\$ 4785.00	\$ 5365.00
352	6	72" (1829)	\$ 4640.00	\$ 4960.00	\$ 5590.00
352	8	72"	\$ 4640.00	\$ 4960.00	\$ 5590.00
352	9	72"	\$ 4640.00	\$ 4960.00	\$ 5590.00
352	6	78" (1981)	\$ 4790.00	\$ 5135.00	\$ 5820.00
352	8	78"	\$ 4790.00	\$ 5135.00	\$ 5820.00
352	9	78"	\$ 4790.00	\$ 5135.00	\$ 5820.00
352	6	84" (2137)	\$ 4940.00	\$ 5310.00	\$ 6050.00
352	8	84"	\$ 4940.00	\$ 5310.00	\$ 6050.00
352	9	84"	\$ 4940.00	\$ 5310.00	\$ 6050.00

Retail Price Shown. Round price up to nearest 6" increment.

Dimensions shown in inches (millimeters)

Standard configurations for Countersinks

Rectangular Front Counter with Triple Oval Integral Basin

Item No.	Spout No.	Dim. A	Color Group 1	Color Group 2	Color Group 3
			Clear Starphire® Bronze Grey Black	Peach Azurlite® Solex®	Cobalt White Blue Cristal Cristal Antq
353	6	72" (1829)	\$ 5740.00	\$ 6060.00	\$ 6690.00
353	8	72"	\$ 5740.00	\$ 6060.00	\$ 6690.00
353	9	72"	\$ 5740.00	\$ 6060.00	\$ 6690.00
353	6	78" (1981)	\$ 5890.00	\$ 6235.00	\$ 6920.00
353	8	78"	\$ 5890.00	\$ 6235.00	\$ 6920.00
353	9	78"	\$ 5890.00	\$ 6235.00	\$ 6920.00
353	6	84" (2137)	\$ 6040.00	\$ 6410.00	\$ 7150.00
353	8	84"	\$ 6040.00	\$ 6410.00	\$ 7150.00
353	9	84"	\$ 6040.00	\$ 6410.00	\$ 7150.00

NOTE:

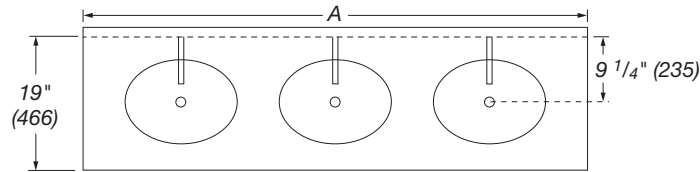
Drawings below show recess into wall.
Measurements are from finished wall.
Refer to pgs B.2.1-4 for variations.

Wall mount faucet spout projections are for an average range of spouts.
A custom drawing for approval will be provided for other spout projections or deck mounted faucets.

*Retail Price Shown. Round price up to nearest 6" increment.
Dimensions shown in inches (millimeters)*

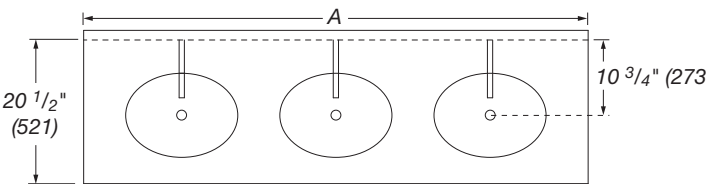
Spout No. 6: Wall Faucet

Projection 6-7" (152-178)



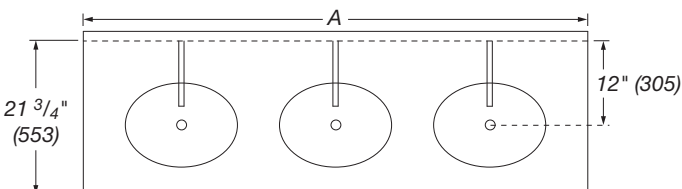
Spout No. 8: Wall Faucet

Projection 7-8" (178-203)



Spout No. 9: Wall Faucet

Projection 9-10" (229-250)

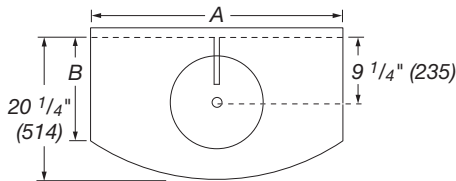


Standard configurations for Countersinks

Radius Front Counter with Single Round Integral Basin

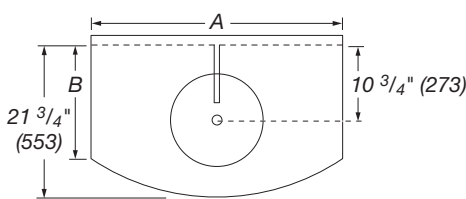
Spout No. 6: Wall Faucet

Projection 6-7" (152-178)



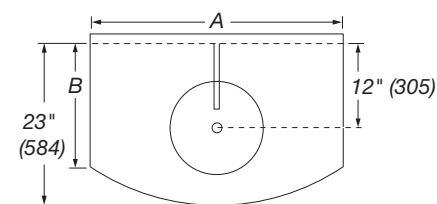
Spout No. 8: Wall Faucet

Projection 7-8" (178-203)



Spout No. 9: Wall Faucet

Projection 9-10" (229-250)



NOTE:

Drawings above show recess into wall. Measurements are from finished wall. Refer to pgs B.2.1-4 for variations.

Wall mount faucet spout projections are for an average range of spouts. A custom drawing for approval will be provided for other spout projections or deck mounted faucets.

Item No.	Spout No.	Dim. A	Dim. B	Color Group 1	Color Group 2	Color Group 3
				Clear Starphire® Bronze Grey Black	Peach Azurlite® Solex®	Cobalt White Blue Cristal Cristal Antq
400	6	24" (607)	15 3/4" (400)	\$ 2345.00	\$ 2450.00	\$ 2665.00
400	8	24"	17 1/4" (438)	\$ 2345.00	\$ 2450.00	\$ 2665.00
400	9	24"	18 1/2" (470)	\$ 2345.00	\$ 2450.00	\$ 2665.00
<hr/>						
400	6	30" (762)	15 1/4" (387)	\$ 2495.00	\$ 2625.00	\$ 2890.00
400	8	30"	16 3/4" (425)	\$ 2495.00	\$ 2625.00	\$ 2890.00
400	9	30"	18" (457)	\$ 2495.00	\$ 2625.00	\$ 2890.00
<hr/>						
400	6	36"* (914)	14 3/4" (375)	\$ 2645.00	\$ 2805.00	\$ 3120.00
400	8	36"	16 1/4" (413)	\$ 2645.00	\$ 2805.00	\$ 3120.00
400	9	36"	17 1/2" (445)	\$ 2645.00	\$ 2805.00	\$ 3120.00
<hr/>						
400	6	42" (1041)	14 1/4" (362)	\$ 2795.00	\$ 2980.00	\$ 3350.00
400	8	42"	15 3/4" (400)	\$ 2795.00	\$ 2980.00	\$ 3350.00
400	9	42"	17 (432)	\$ 2795.00	\$ 2980.00	\$ 3350.00
<hr/>						
400	6	48" (1219)	13 3/4" (350)	\$ 2945.00	\$ 3155.00	\$ 3575.00
400	8	48"	15 1/4" (387)	\$ 2945.00	\$ 3155.00	\$ 3575.00
400	9	48"	16 1/2" (419)	\$ 2945.00	\$ 3155.00	\$ 3575.00
<hr/>						
400	6	54" (1372)	13 1/4" (337)	\$ 3095.00	\$ 3330.00	\$ 3805.00
400	8	54"	14 3/4" (375)	\$ 3095.00	\$ 3330.00	\$ 3805.00
400	9	54"	16 (406)	\$ 3095.00	\$ 3330.00	\$ 3805.00
<hr/>						
400	6	60" (1524)	12 3/4" (324)	\$ 3245.00	\$ 3510.00	\$ 4035.00
400	8	60"	14 1/4" (362)	\$ 3245.00	\$ 3510.00	\$ 4035.00
400	9	60"	15 1/2" (324)	\$ 3245.00	\$ 3510.00	\$ 4035.00
<hr/>						
400	6	66" (1674)	12 1/4" (311)	\$ 3395.00	\$ 3685.00	\$ 4265.00
400	8	66"	13 3/4" (350)	\$ 3395.00	\$ 3685.00	\$ 4265.00
400	9	66"	15 (381)	\$ 3395.00	\$ 3685.00	\$ 4265.00
<hr/>						
400	6	72" (1829)	11 3/4" (298)	\$ 3540.00	\$ 3860.00	\$ 4490.00
400	8	72"	13 1/4" (337)	\$ 3540.00	\$ 3860.00	\$ 4490.00
400	9	72"	14 1/2" (368)	\$ 3540.00	\$ 3860.00	\$ 4490.00
<hr/>						
400	6	78" (1981)	11 1/4" (286)	\$ 3690.00	\$ 4035.00	\$ 4720.00
400	8	78"	12 3/4" (324)	\$ 3690.00	\$ 4035.00	\$ 4720.00
400	9	78"	14 (356)	\$ 3690.00	\$ 4035.00	\$ 4720.00
<hr/>						
400	6	84" (2137)	10 3/4" (273)	\$ 3840.00	\$ 4210.00	\$ 4950.00
400	8	84"	12 1/4" (311)	\$ 3840.00	\$ 4210.00	\$ 4950.00
400	9	84"	13 1/2" (343)	\$ 3840.00	\$ 4210.00	\$ 4950.00

Retail Price Shown. Round price up to nearest 6" increment.

*36" In Stock Quick Ship \$ 2000.00 Clear and Starphire® color only, no holes.

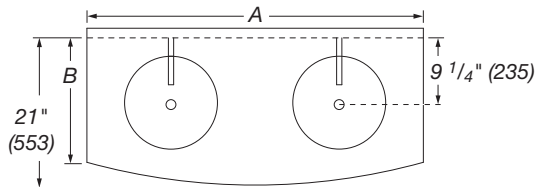
Dimensions shown in inches (millimeters)

Standard configurations for Countersinks

Radius Front Counter with Double Round Integral Basin

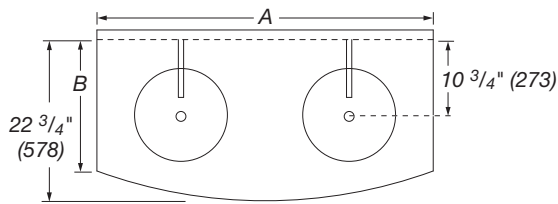
Spout No. 6: Wall Faucet

Projection 6-7" (152-178)



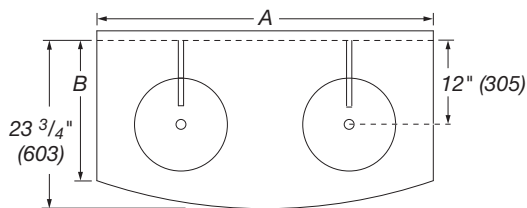
Spout No. 8: Wall Faucet

Projection 7-8" (178-203)



Spout No. 9: Wall Faucet

Projection 9-10" (229-250)



NOTE:

Drawings above show recess into wall.
Measurements are from finished wall.
Refer to pgs B.2.1-4 for variations.

Wall mount faucet spout projections are for an average range of spouts.
A custom drawing for approval will be provided for other spout projections or deck mounted faucets.

Item No.	Spout No.	Dim. A	Dim. B	Color Group 1	Color Group 2	Color Group 3
				Clear Starphire® Bronze Grey Black	Peach Azurlite® Solex®	Cobalt White Blue Cristal Cristal Antq
402	6	48" (1219)	16 1/2" (419)	\$ 4045.00	\$ 4255.00	\$ 4675.00
402	8	48"	17 1/2" (445)	\$ 4045.00	\$ 4255.00	\$ 4675.00
402	9	48"	18 3/4" (476)	\$ 4045.00	\$ 4255.00	\$ 4675.00
402	6	54" (1372)	16 1/2" (419)	\$ 4195.00	\$ 4430.00	\$ 4905.00
402	8	54"	17 1/2" (445)	\$ 4195.00	\$ 4430.00	\$ 4905.00
402	9	54"	18 3/4" (476)	\$ 4195.00	\$ 4430.00	\$ 4905.00
402	6	60" (1524)	16 1/2" (419)	\$ 4345.00	\$ 4605.00	\$ 5135.00
402	8	60"	17 1/2" (445)	\$ 4345.00	\$ 4605.00	\$ 5135.00
402	9	60"	18 3/4" (476)	\$ 4345.00	\$ 4605.00	\$ 5135.00
402	6	66" (1674)	16 1/2" (419)	\$ 4490.00	\$ 4785.00	\$ 5365.00
402	8	66"	17 1/2" (445)	\$ 4490.00	\$ 4785.00	\$ 5365.00
402	9	66"	18 3/4" (476)	\$ 4490.00	\$ 4785.00	\$ 5365.00
402	6	72" (1829)	16 1/2" (419)	\$ 4640.00	\$ 4960.00	\$ 5590.00
402	8	72"	17 1/2" (445)	\$ 4640.00	\$ 4960.00	\$ 5590.00
402	9	72"	18 3/4" (476)	\$ 4640.00	\$ 4960.00	\$ 5590.00
402	6	78" (1981)	16 1/2" (419)	\$ 4790.00	\$ 5135.00	\$ 5820.00
402	8	78"	17 1/2" (445)	\$ 4790.00	\$ 5135.00	\$ 5820.00
402	9	78"	18 3/4" (476)	\$ 4790.00	\$ 5135.00	\$ 5820.00
402	6	84" (2137)	16 1/2" (419)	\$ 4940.00	\$ 5310.00	\$ 6050.00
402	8	84"	17 1/2" (445)	\$ 4940.00	\$ 5310.00	\$ 6050.00
402	9	84"	18 3/4" (476)	\$ 4940.00	\$ 5310.00	\$ 6050.00

Retail Price Shown. Round price up to nearest 6" increment.
Dimensions shown in inches (millimeters)

www.vitraform.com

Fax 303.292.1161

800.338.5725

Tel 303.295.1010

3500 Blake St. Denver, CO 80205

VITRAFORM™

Standard configurations for Countersinks

Radius Front Counter with Triple Round Integral Basin

www.vitraform.com
Tel 303.295.1010
Fax 303.292.1161
800.338.5725

VITRAFORM™
3500 Blake St. Denver, CO 80205

Color Group 1	Color Group 2	Color Group 3
Clear	Peach	Cobalt
Starphire®	Azurlite®	White
Bronze	Solex®	Blue
Grey		Cristal
Black		Cristal Antq

Item No.	Spout No.	Dim. A	Dim. B	Color Group 1	Color Group 2	Color Group 3
403	6	72" (1829)	18" (457)	\$ 5740.00	\$ 6060.00	\$ 6690.00
403	8	72"	19" (483)	\$ 5740.00	\$ 6060.00	\$ 6690.00
403	9	72"	20 3/4" (527)	\$ 5740.00	\$ 6060.00	\$ 6690.00
403	6	78" (1981)	18" (457)	\$ 5890.00	\$ 6235.00	\$ 6920.00
403	8	78"	19" (483)	\$ 5890.00	\$ 6235.00	\$ 6920.00
403	9	78"	20 3/4" (527)	\$ 5890.00	\$ 6235.00	\$ 6920.00
403	6	84" (2137)	18" (457)	\$ 6040.00	\$ 6410.00	\$ 7150.00
403	8	84"	19" (483)	\$ 6040.00	\$ 6410.00	\$ 7150.00
403	9	84"	20 3/4" (527)	\$ 6040.00	\$ 6410.00	\$ 7150.00

NOTE:

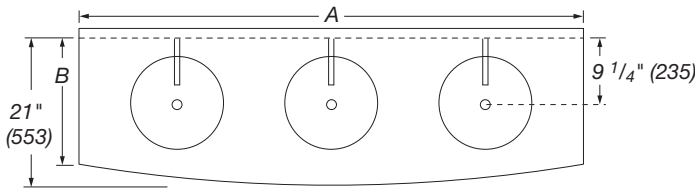
Drawings below show recess into wall.
Measurements are from finished wall.
Refer to pgs B.2.1-4 for variations.

Wall mount faucet spout projections are for an average range of spouts.
A custom drawing for approval will be provided for other spout projections or deck mounted faucets.

*Retail Price Shown. Round price up to nearest 6" increment.
Dimensions shown in inches (millimeters)*

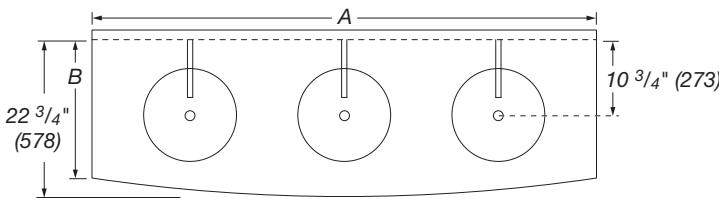
Spout No. 6: Wall Faucet

Projection 6-7" (152-178)



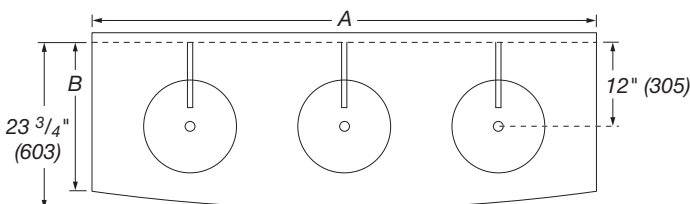
Spout No. 8: Wall Faucet

Projection 7-8" (178-203)



Spout No. 9: Wall Faucet

Projection 9-10" (229-250)

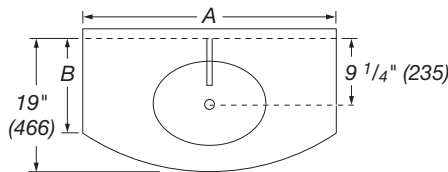


Standard configurations for Countersinks

Radius Front Counter with Single Oval Integral Basin

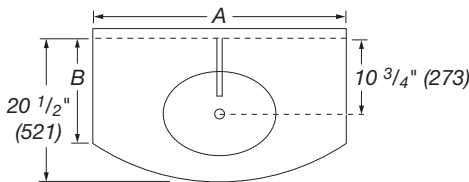
Spout No. 6: Wall Faucet

Projection 6-7" (152-178)



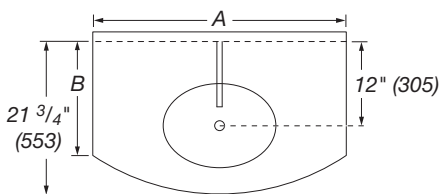
Spout No. 8: Wall Faucet

Projection 7-8" (178-203)



Spout No. 9: Wall Faucet

Projection 9-10" (229-250)



NOTE:

Drawings above show recess into wall.
Measurements are from finished wall.
Refer to pgs B.2.1-4 for variations.

Wall mount faucet spout projections are for an average range of spouts.
A custom drawing for approval will be provided for other spout projections or deck mounted faucets.

Color Group 1	Color Group 2	Color Group 3
Clear	Peach	Cobalt
Starphire®	Azurlite®	White
Bronze	Solex®	Blue
Grey		Cristal
Black		Cristal Antq

Item No.	Spout No.	Dim. A	Dim. B	Price 1	Price 2	Price 3
450	6	24" (607)	14 1/2" (368)	\$ 2345.00	\$ 2450.00	\$ 2665.00
450	8	24"	16" (406)	\$ 2345.00	\$ 2450.00	\$ 2665.00
450	9	24"	17 1/4" (438)	\$ 2345.00	\$ 2450.00	\$ 2665.00
● 450	6	30" (762)	14" (356)	\$ 2495.00	\$ 2625.00	\$ 2890.00
● 450	8	30"	15 1/2" (354)	\$ 2495.00	\$ 2625.00	\$ 2890.00
450	9	30"	16 3/4" (425)	\$ 2495.00	\$ 2625.00	\$ 2890.00
450	6	36"* (914)	13 1/2" (343)	\$ 2645.00	\$ 2805.00	\$ 3120.00
450	8	36"*	15" (381)	\$ 2645.00	\$ 2805.00	\$ 3120.00
450	9	36"*	16 1/4" (413)	\$ 2645.00	\$ 2805.00	\$ 3120.00
450	6	42" (1041)	13" (330)	\$ 2795.00	\$ 2980.00	\$ 3350.00
450	8	42"	14 1/2" (368)	\$ 2795.00	\$ 2980.00	\$ 3350.00
450	9	42"	15 3/4" (400)	\$ 2795.00	\$ 2980.00	\$ 3350.00
450	6	48" (1219)	12 1/2" (318)	\$ 2945.00	\$ 3155.00	\$ 3575.00
450	8	48"	14" (356)	\$ 2945.00	\$ 3155.00	\$ 3575.00
450	9	48"	15 1/4" (387)	\$ 2945.00	\$ 3155.00	\$ 3575.00
450	6	54" (1372)	12" (305)	\$ 3095.00	\$ 3330.00	\$ 3805.00
450	8	54"	13 1/2" (343)	\$ 3095.00	\$ 3330.00	\$ 3805.00
450	9	54"	14 3/4" (375)	\$ 3095.00	\$ 3330.00	\$ 3805.00
450	6	60" (1524)	11 1/2" (292)	\$ 3245.00	\$ 3510.00	\$ 4035.00
450	8	60"	13" (330)	\$ 3245.00	\$ 3510.00	\$ 4035.00
450	9	60"	14 1/4" (362)	\$ 3245.00	\$ 3510.00	\$ 4035.00
450	6	66" (1674)	11" (280)	\$ 3395.00	\$ 3685.00	\$ 4265.00
450	8	66"	12 1/2" (318)	\$ 3395.00	\$ 3685.00	\$ 4265.00
450	9	66"	13 3/4" (350)	\$ 3395.00	\$ 3685.00	\$ 4265.00
450	6	72" (1829)	10 1/2" (267)	\$ 3540.00	\$ 3860.00	\$ 4490.00
450	8	72"	12" (305)	\$ 3540.00	\$ 3860.00	\$ 4490.00
450	9	72"	13 1/4" (337)	\$ 3540.00	\$ 3860.00	\$ 4490.00
450	6	78" (1981)	10" (254)	\$ 3690.00	\$ 4035.00	\$ 4720.00
450	8	78"	11 1/2" (292)	\$ 3690.00	\$ 4035.00	\$ 4720.00
450	9	78"	12 3/4" (324)	\$ 3690.00	\$ 4035.00	\$ 4720.00
450	6	84" (2137)	9 1/2" (241)	\$ 3840.00	\$ 4210.00	\$ 4950.00
450	8	84"	11" (280)	\$ 3840.00	\$ 4210.00	\$ 4950.00
450	9	84"	12 1/4" (311)	\$ 3840.00	\$ 4210.00	\$ 4950.00

Retail Price Shown. Round price up to nearest 6" increment.
*36" In Stock Quick Ship \$ 2000.00 Clear and Starphire® color only, no holes.
Dimensions shown in inches (millimeters)

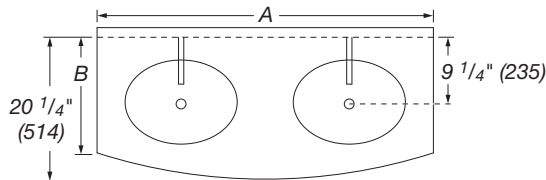
● VF1 Oval Vanity Size

Standard configurations for Countersinks

Radius Front Counter with Double Oval Integral Basin

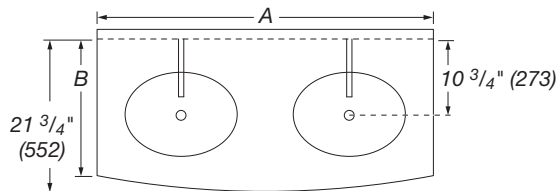
Spout No. 6: Wall Faucet

Projection 6-7" (152-178)



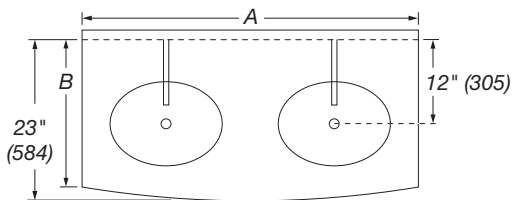
Spout No. 8: Wall Faucet

Projection 7-8" (178-203)



Spout No. 9: Wall Faucet

Projection 9-10" (229-250)



NOTE:

Drawings above show recess into wall.
Measurements are from finished wall.
Refer to pgs B.2.1-4 for variations.

Wall mount faucet spout projections are for an average range of spouts.
A custom drawing for approval will be provided for other spout projections or deck mounted faucets.

Item No.	Spout No.	Dim. A	Dim. B	Color Group 1	Color Group 2	Color Group 3
				Clear Starphire® Bronze Grey Black	Peach Azurlite® Solex®	Cobalt White Blue Cristal Cristal Antq
452	6	48" (1219)	15" (381)	\$ 4045.00	\$ 4255.00	\$ 4675.00
452	8	48"	17" (432)	\$ 4045.00	\$ 4255.00	\$ 4675.00
452	9	48"	18 1/2" (470)	\$ 4045.00	\$ 4255.00	\$ 4675.00
452	6	54" (1372)	15" (381)	\$ 4195.00	\$ 4430.00	\$ 4905.00
452	8	54"	17" (432)	\$ 4195.00	\$ 4430.00	\$ 4905.00
452	9	54"	18 1/2" (470)	\$ 4195.00	\$ 4430.00	\$ 4905.00
452	6	60" (1524)	15" (381)	\$ 4345.00	\$ 4605.00	\$ 5135.00
452	8	60"	17" (432)	\$ 4345.00	\$ 4605.00	\$ 5135.00
452	9	60"	18 1/2" (470)	\$ 4345.00	\$ 4605.00	\$ 5135.00
452	6	66" (1674)	15" (381)	\$ 4490.00	\$ 4785.00	\$ 5365.00
452	8	66"	17" (432)	\$ 4490.00	\$ 4785.00	\$ 5365.00
452	9	66"	18 1/2" (470)	\$ 4490.00	\$ 4785.00	\$ 5365.00
452	6	72" (1829)	15" (381)	\$ 4640.00	\$ 4960.00	\$ 5590.00
452	8	72"	17" (432)	\$ 4640.00	\$ 4960.00	\$ 5590.00
452	9	72"	18 1/2" (470)	\$ 4640.00	\$ 4960.00	\$ 5590.00
452	6	78" (1981)	15" (381)	\$ 4790.00	\$ 5135.00	\$ 5820.00
452	8	78"	17" (432)	\$ 4790.00	\$ 5135.00	\$ 5820.00
452	9	78"	18 1/2" (470)	\$ 4790.00	\$ 5135.00	\$ 5820.00
452	6	84" (2137)	15" (381)	\$ 4940.00	\$ 5310.00	\$ 6050.00
452	8	84"	17" (432)	\$ 4940.00	\$ 5310.00	\$ 6050.00
452	9	84"	18 1/2" (470)	\$ 4940.00	\$ 5310.00	\$ 6050.00

Retail Price Shown. Round price up to nearest 6" increment.
Dimensions shown in inches (millimeters)

www.vitraform.com

Fax 303.292.1161

800.338.5725

Tel 303.295.1010

3500 Blake St. Denver, CO 80205

VITRAFORM™

Standard configurations for Countersinks

Radius Front Counter with Triple Oval Integral Basin

Item No.	Spout No.	Dim. A	Dim. B	Color Group 1	Color Group 2	Color Group 3
				Clear Starphire® Bronze Grey Black	Peach Azurlite® Solex®	Cobalt White Blue Cristal Cristal Antq
453	6	72" (1829)	16 1/2" (419)	\$ 5740.00	\$ 6060.00	\$ 6690.00
453	8	72"	18" (457)	\$ 5740.00	\$ 6060.00	\$ 6690.00
453	9	72"	19 1/4" (489)	\$ 5740.00	\$ 6060.00	\$ 6690.00
453	6	78" (1981)	16 1/2" (419)	\$ 5890.00	\$ 6235.00	\$ 6920.00
453	8	78"	18" (457)	\$ 5890.00	\$ 6235.00	\$ 6920.00
453	9	78"	19 1/4" (489)	\$ 5890.00	\$ 6235.00	\$ 6920.00
453	6	84" (2137)	16 1/2" (419)	\$ 6040.00	\$ 6410.00	\$ 7150.00
453	8	84"	18" (457)	\$ 6040.00	\$ 6410.00	\$ 7150.00
453	9	84"	19 1/4" (489)	\$ 6040.00	\$ 6410.00	\$ 7150.00

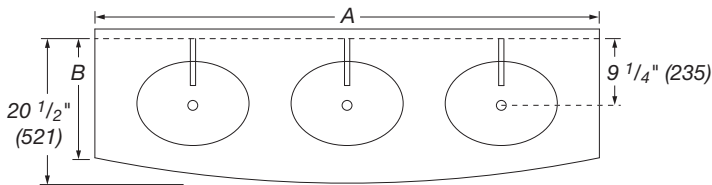
NOTE:

Drawings below show recess into wall.
Measurements are from finished wall.
Refer to pgs B.2.1-4 for variations.

Wall mount faucet spout projections are for an average range of spouts. A custom drawing for approval will be provided for other spout projections or deck mounted faucets.

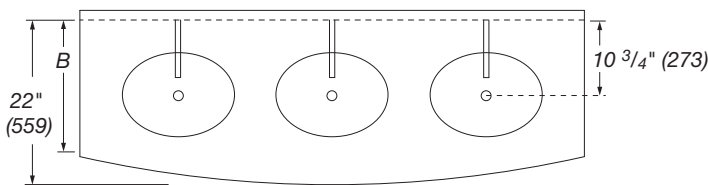
Spout No. 6: Wall Faucet

Projection 6-7" (152-178)



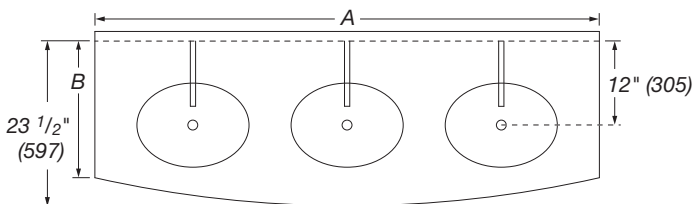
Spout No. 8: Wall Faucet

Projection 7-8" (178-203)



Spout No. 9: Wall Faucet

Projection 9-10" (229-250)



Retail Price Shown. Round price up to nearest 6" increment.

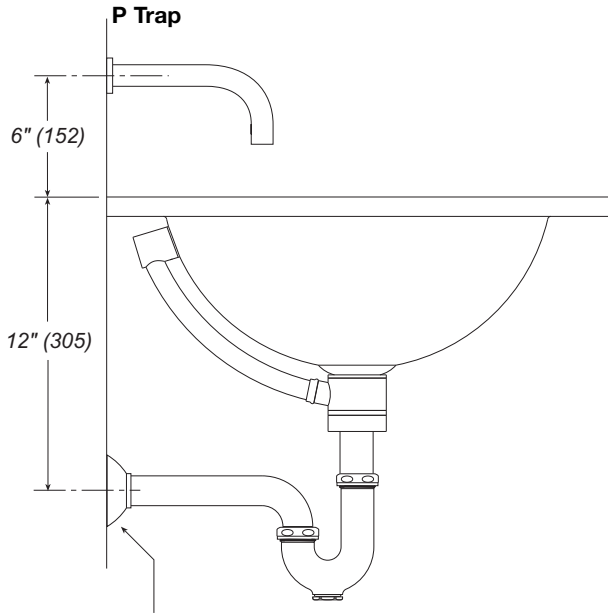
Dimensions shown in inches (millimeters)

Rough-in Specification for Countersinks

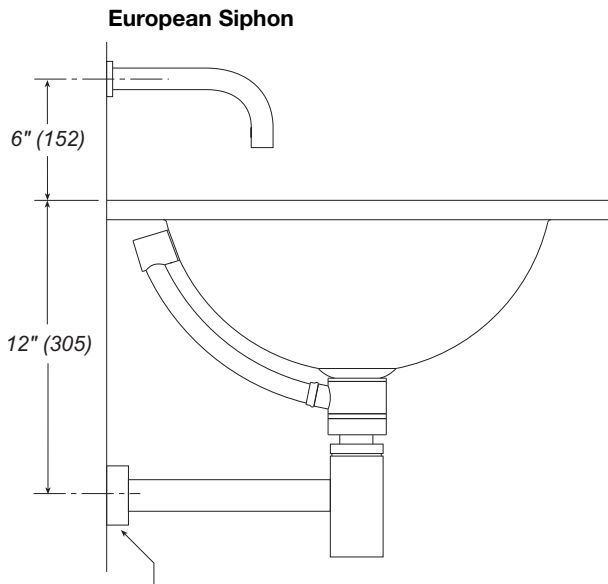
Please provide these instructions to contractor at point of sale.
See pg 3.d for ADA rough-in requirements.

Rough-in for waste

Drawings below show recommended height of waste rough-in for all Vitraform Drain systems. If additional distance is required, see pgs B.3.1-5 for maximum rough-in dimensions of individual drains.



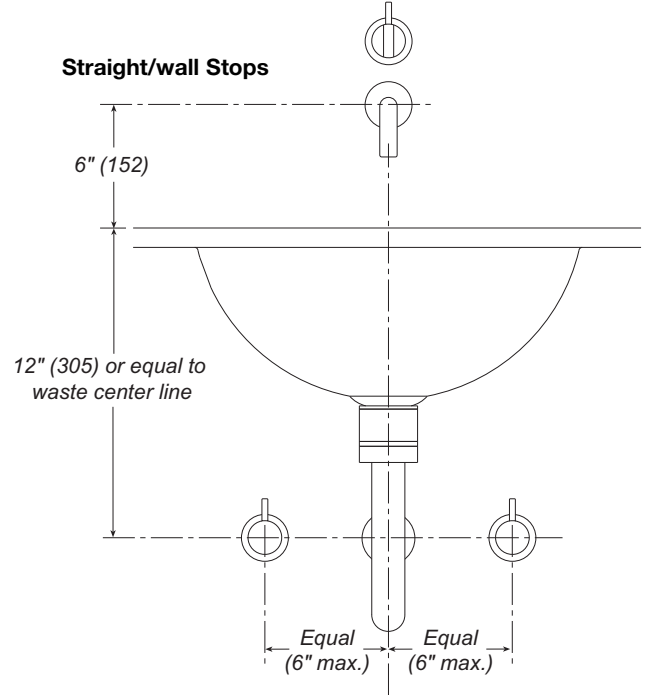
The compression fitting should not extend more than $\frac{5}{8}$ " (16) beyond the finished wall in order to be covered by the Vitraform escutcheon.



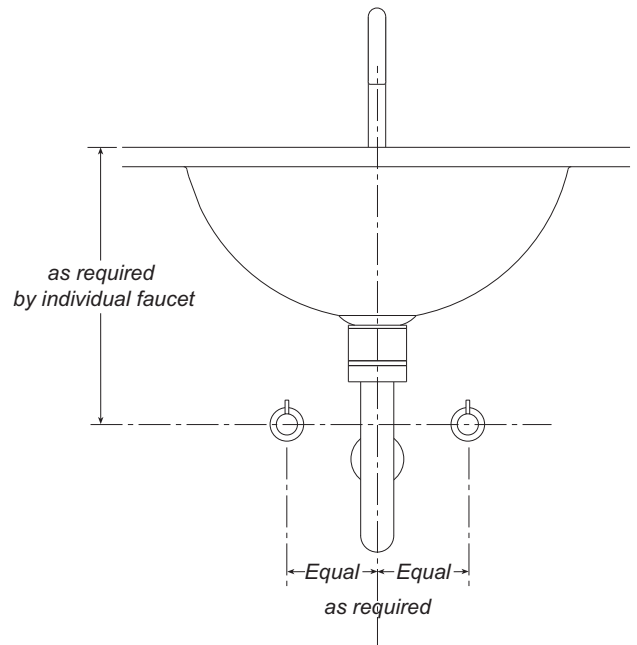
The compression fitting should not extend more than $\frac{5}{8}$ " (16) beyond the finished wall in order to be covered by the Vitraform escutcheon.

Recommended position for Stops

Drawings below are guidelines for placement of exposed fittings in Vitraform installations. Stops should be level and centered on waste line. For deck mounted faucets, height and center to center of angle stops will be defined by the length of water lines of each individual faucet.



Angle Stops



Countersink with or without Overflow: All Countersinks (Item Nos. 300-453)

Please provide these instructions to contractor at point of sale.

CAUTION: This sink is made of glass. It is very strong, but sensitive to hard object impact, extreme change in temperature and high mechanical stress. Most damage to this product occurs during installation. Please follow installation instructions carefully. VITRAFORM sinks are intended and Warranted for Lavatory use only.

Drain Installation

See Hardware pgs B.a-e for instructions on installing Vitraform drain systems with this basin.

Choice of Installation with or without Overflow

Overflow: hardware supplied

- A.** Rubber Sink Grommet
- B.** Overflow Nipple
- C.** Hex Tool
- D.** Upper Tube
- E.** Rubber Washers
- F.** Lower Collar
- G.** O-ring

Overflow Installation

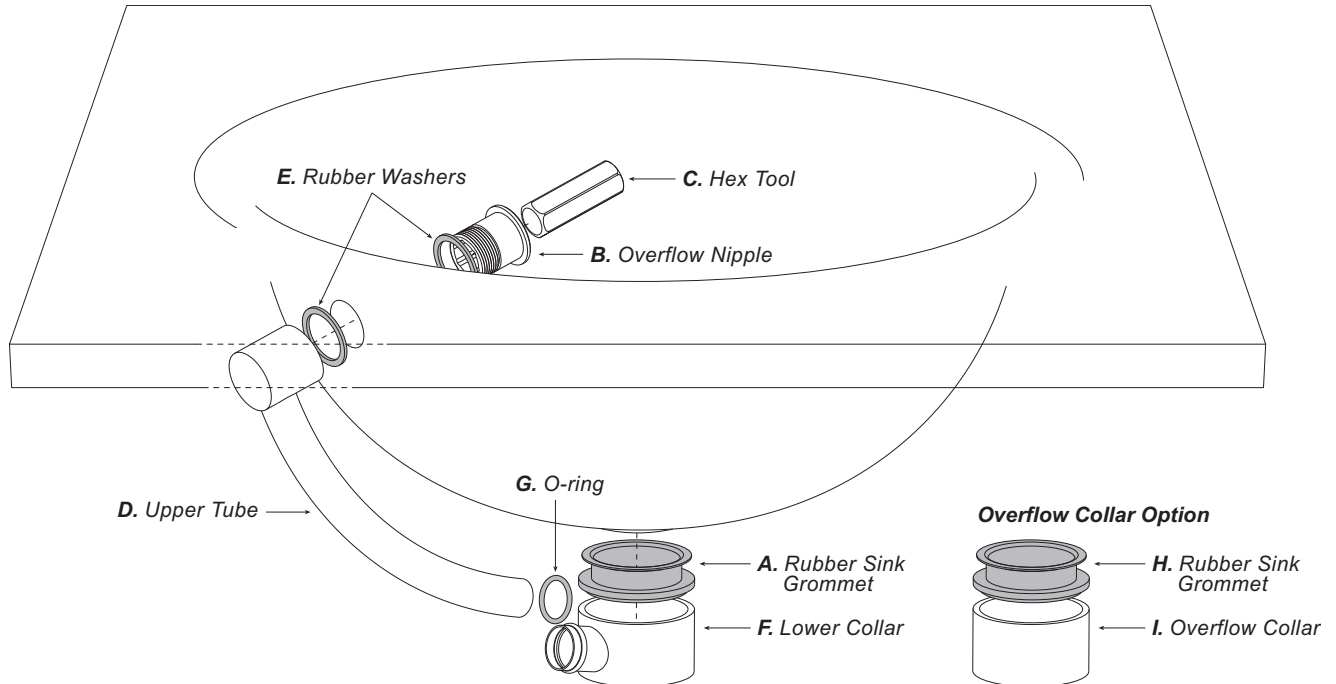
1. Insert lip of Rubber Sink Grommet **A** into drain hole of sink.
2. Insert Overflow Nipple **B** and Rubber Washers **E** into overflow hole of sink and partially start threads into Upper Tube **D** while aligning Lower Collar **F** with Rubber Sink Grommet **A**.
3. Using Hex Tool **C** lightly tighten Overflow Nipple **B**.

Overflow Collar: hardware supplied

- H.** Rubber Sink Grommet
- I.** Overflow Collar

Overflow Collar Installation

1. Insert lip of Rubber Sink Grommet **H** into drain hole of sink.
2. Mate Overflow Collar **I** with Rubber Sink Grommet **H**.



Care for the Vitraform Glass Sink: Use commercial glass cleaners sprayed onto a soft cloth to clean glass surface(s). Wipe basin dry after use to avoid mineral deposits on glass left by water spots. For frosted glass, special attention to stubborn stains or adhesives may be required. Silicone or other adhesives may be impossible to remove from frosted finishes. If contamination occurs attempt to remove adhesive with glass cleaner first, then denatured alcohol, paint thinner or mineral spirits. If none of these solvents work, the stain might be removed by re-blasting the bowl. Contact the factory for authorization to return the product for evaluation. A return authorization must accompany the product. Please pack the sink in the original box or other proper packing to assure its safe return and insure for full value.

Care for metal fittings and plated finishes: Wipe metal fittings dry after use to avoid water spots. Glass cleaner used on the Vitraform Glass Sink may be damaging to metal finishes. Use a diluted, neutral, liquid soap and a soft cloth to clean metal fittings. Never use an abrasive cloth or scouring pad.

Countersink Handling Instructions

Please provide these instructions to contractor at point of sale.

All Vitraform glass products are manufactured using (2) layers of annealed non-tempered glass, which, like an automobile windshield are laminated together with a layer of plastic. If the glass breaks, the pieces will be held in place by the laminate layer. Vitraform products are very strong, but sensitive to hard object impact, extreme or rapid changes in temperature and high mechanical stress. Most damage to this product occurs during installation due to improper handling or over tightening of the plumbing hardware. VITRAFORM sinks are intended and Warranted for Lavatory use only.

Crating

Countersinks and Glass Counters are shipped from the factory in strong, custom built crates that are suitable for long term storage if necessary. The glass is captured at its edge and held in the crate in a vertical orientation. For shipping and storage this is the strongest and most efficient orientation for glass. Upon receipt of the product the crate should be opened and inspected for hidden damage which may have occurred during shipping. Crates may be opened and resealed from the top and (1) side by unscrewing Phillips head screws. This will fully reveal the product for inspection without the need to remove it from the crate. Upon acceptance of the product the crate should be resealed and carefully stored until the product is ready for installation.

Handling

As stated above, glass is best handled and transported in a vertical orientation which also applies to carrying the product while installing. For larger sizes (36" width and larger) it is best to keep the product vertical until it is finally installed. While installing, care should be taken to evenly support the glass to avoid over stressing it. This glass is most vulnerable at its edge so if it is necessary to stand it on its edge, make sure to do so on a clean, soft material such as carpet or foam rubber. Since the drain area is the thinnest point on the product, care should be taken to protect it. A special rubber sink grommet is included with basins to insulate and protect the drain area from impact. Do not rest the counter on the drain during installation or support the counter by the drain in any way in the final installation.

Protective Plastic Film

The product is shipped from the factory with a temporary protective plastic film on all surfaces. It is best to leave this protective film on the glass, peeling back only enough area for installation, and only removing it when the bathroom is finally ready to be used. This plastic is intended to prevent light abrasions during shipping but will not protect against severe abrasions that can occur on a construction site. It is the responsibility of the installer to add additional protection. It is recommended that due to the fragility of the product that it be the last component in the bathroom to be installed.

Scratches and Chips

It is possible that glass will become scratched or chipped to some extent. Once installed it is extremely difficult to remove scratches from the product on site. Depending upon available local services and the severity of the damage it is possible to do minor repair on site. If possible, return the product to the factory for repair. Remember that the best way to deal with scratches is to prevent them entirely by treating the product like glass. Do not store heavy, hard objects above the product. Do not put hard objects such as other glass or ceramic objects directly on the product.

Cleaning

We recommend the use of common ammonia or alcohol based glass cleaners applied with a clean, soft cloth. Never use abrasive materials or cleansers; which can destroy the surface of the glass. Glass may become etched or water spotted due to minerals in the water. Avoid water spots by drying the product after use and following recommended cleaning procedure.

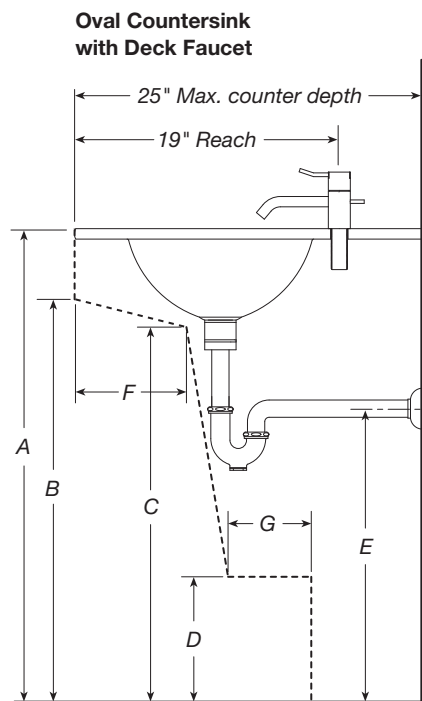
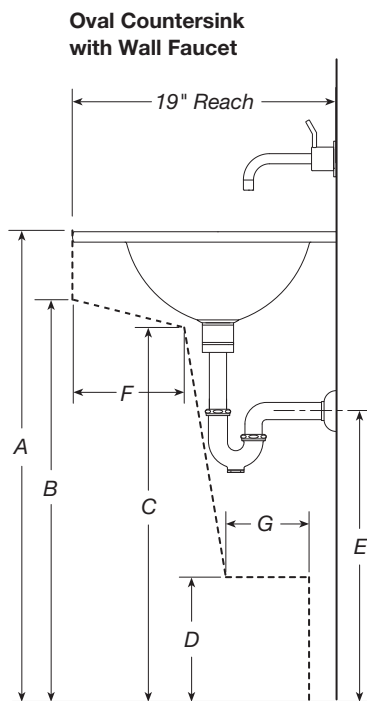
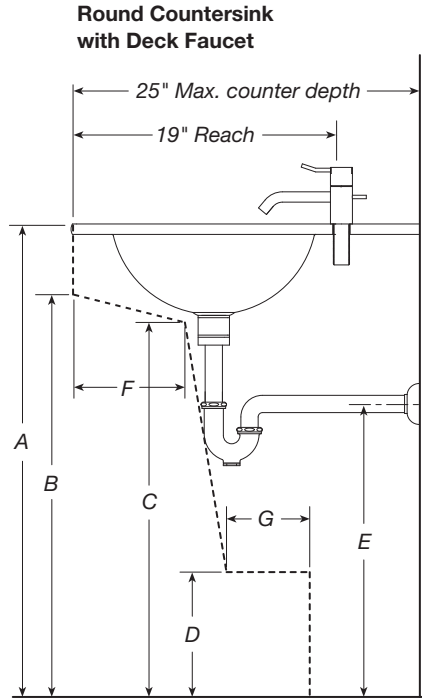
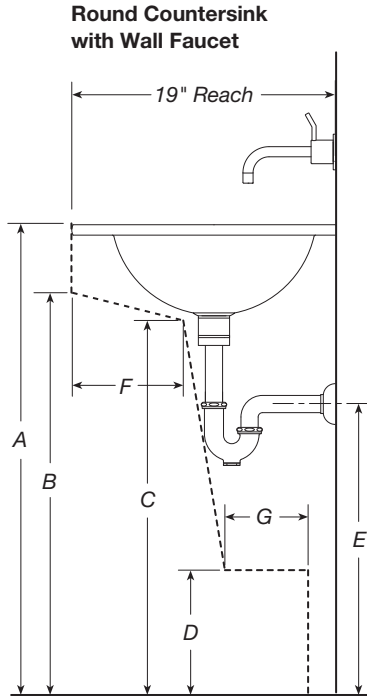
Important Note

Where the use of Silicone Adhesive is needed for the installation of this product special precaution must be taken. Adhesives are virtually impossible to remove, especially on frosted glass finishes, even before they set. Extreme care must be taken while handling Silicone Adhesive in conjunction with this product.

COUNTERSINK

ADA Installation Guidelines Item No. 300 & 350

Please provide these instructions to contractor at point of sale.



Dimension Reference Chart

Item	Description	Dim.
A	Counter Height	34" Max.
B	Apron	29" Min.
C	Knee Clearance	27" Min.
D	Toe Clearance	9" Min.
E	Rough-in	22"
F	Knee Clearance	8" Min.
G	Toe Clearance	6" Max.

DECK FAUCETS:

Reach to faucet handle must be Maximum 19". Faucet may be positioned to side or on angle to accommodate basin. Provide faucet specification and request drawing from factory for coordination.

NOTE: The information above is for general reference only. Please refer to published ADA Guideline for local compliance and exact requirements. www.ada.gov (see Figs. 31 & 32).