

Single lamp, low-voltage halogen, recessed accent light with nominal 4" square aperture, beveled trim and 3" glass diffuser. Accent and downlighting in low to medium ceiling heights typically found in residential, commercial and retail applications. Suitable for new or existing construction in sheetrock ceilings.

JOB: _____
SPECIFIER: _____
TYPE: _____
QUANTITY: _____
SIGNATURE: _____

SPECIFICATIONS

HOUSING

- Precision die-formed heavy gauge aluminum with flangeless trim and integrated screed edge

MOUNTING

- Install from below in sheetrock ceiling

ELECTRICAL

- Integral dimmable electronic or torroidal magnetic transformer
- 120v primary lead, (220v, 240v, 277v available), 11.75v secondary with overload protection
- External thermoprotector

LAMP

- MR-16, 50w max. supplied by others

SOCKET

- Precision die-formed aluminum yoke with CNC machined lampholder assembly
- G4/G6 ceramic socket with high temperature, teflon coated lead wires

LENS

- Solite borosilicate glass at aperture.
- Optional borosilicate lenses available for lampholder and aperture

TRIM

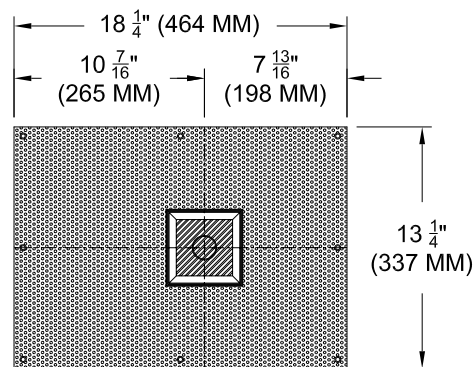
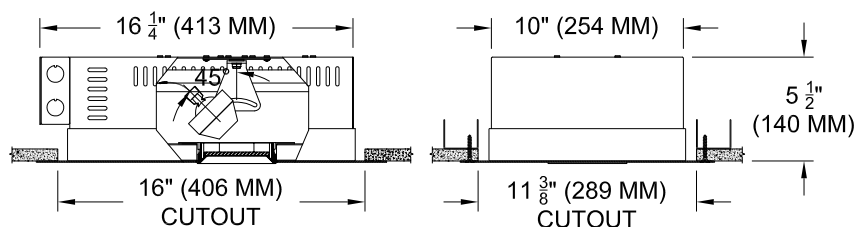
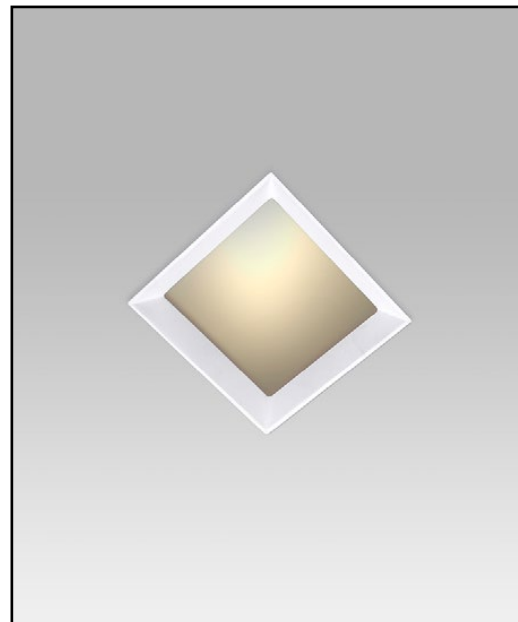
- Flangeless, one piece die-cast aluminum regressed trim with 3" lensed aperture

FINISH

- Black powder paint housing
- Aperture trim available in black and white as standard
- Solid wood, additional colors, RAL palette, custom finishes available

LABELS

- UL, C-UL, Damp location



ORDERING INFORMATION

MODEL	TRIM	TRANSFORMER	LENS HOLDER	LAMP LENS	FINISH	APERTURE LENS
1014-MR16-SPH						
Shallow Plaster Housing	ZT=Zero Trim	TX=Magnetic / 120v EX=Electronic / 220v RX=Remote / 240v / 277v	CL=Conical FL=Flat IL=Indexed	90L = Clear 91L = Solite 92L = Supertex 93L = Frosted 97L = Black Hexcell 98L = UV	P14 = White BLK=Black PXX = SLI Color WXX = Wood XXXX = RAL # CST = Custom	Blank= None 91A = Solite 92A = Supertex 93A = Frosted 95A = Full Prismatic