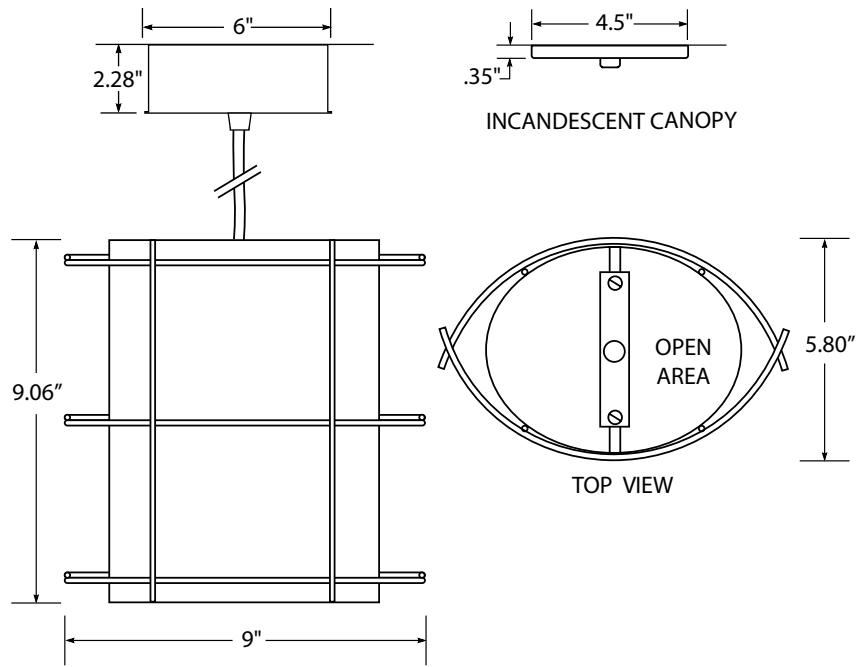


Chopstix 9" Pendant P1055

Design modifications are always welcome.



- Welded steel
 - LUMENATE® washable diffuser
 - 6' black or white cord
 - Canopy finished to match frame
 - Mounts to standard J-box
 - Suitable for damp locations
- weight: 3 lbs
 US LISTED
 MADE IN USA

P1055					
CORD COLOR	FINISH	DIFFUSER	LAMPING	VOLTAGE	
<input type="checkbox"/> Black <input type="checkbox"/> White	F2 Chrome F3 Black F4 Earth F5 Copper F6 Brass F7 Bronze F8 Steel F10 Hammered Copper F11 White	Select from any of our LUMENATE® Diffuser options.	LED 1/18.5W XICATO UNV 1420 Lumens 3500K 0-10V Dimmable Not available with Top Lens Lamps not included: CFL 1/18W TBX-GX24Q-2 INC 1/ Med. Base	120V 277V 347V CFL Only	
+ OPTIONS					

SUSPENSION OPTIONS

- STM** - Hang Straight Stem
Specify length in 1" increments
- CXX** - Cord Extra (Specify length)
- CXX** - Cord Extra*
- CXS** - Cord Braided Silver

- MA100** - Wall Mount Arc 10"
- MA200** - Wall Mount Arc 34"
- MB200** - Wall Mount Linear 18"

CANOPY OPTIONS

- CAC** - Canopy Alternative Color
- CF6** - Flair Canopy 6" Dia
- CF105** - Flair Canopy 10.5" Dia
- CSF5** - Swivel Stem on CF5
- CSF6** - Swivel Stem on CF6
- CSF105** - Swivel Stem on CF105
- CR432** - Cluster Canopy* 4.5" x 42"
- CR860** - Cluster Canopy* 8" x 60"
- CC240** - Cluster Canopy* 24" Dia
- C66** - Square Canopy 6"
- C1010** - Square Canopy 10"

* Specify arrangement and heights.

LENS OPTIONS

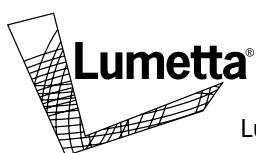
- LTW2** - Top Lens White Acrylic
- LTC2** - Top Lens Clear Acrylic
- LTY2** - Top Lens Metal Perf.
- LTO2** - Top Lens Opaque
- LBW2** - Bottom Lens Etched White Acrylic
- LBY2** - Bottom Lens Metal Perf.
- LBA2** - Bottom Lens Acrylic w/ applied LUMENATE®

NOTE: All canopy options for LED and CFL require a 2.28" height.

CFL BALLAST OPTIONS

- BDLR** - Dimming Ballast
Lutron Remote
- BDAR** - Dimming Ballast
Advance Remote
Dimming Ballast in canopy.
Max 3' drop. May require Stem.
- BER** - Emergency Ballast Remote

Project Name	Specifier Name & Location	Quantity
<input type="text"/>	<input type="text"/>	<input type="text"/>



Notes

Lumetta Inc., 33 Minnesota Ave., Warwick, RI 02888 t 401-691-3994 f 401-921-1310 www.lumetta.com

This design is the intellectual property of Lumetta, Inc. All rights reserved. Specifications are subject to change without notice.