



HUTH COLLECTOR ORDER/QUOTE REQUEST FORM

PLEASE PROVIDE THE FOLLOWING INFORMATION:

1. CUSTOMER INFO:

NAME _____
 ADDRESS _____

PHONE _____
 CONTACT _____
 DATE _____
 EMAIL _____

2. TYPE OF COLLECTOR

4 TO 1 _____ 3 TO 1 _____ 2 TO 1 _____

3. MATERIAL: ALUMINIZED _____ STAINLESS _____

4. INLET TUBE SIZE _____

5. CHOKE/ORIGINAL TUBE DIAMETER _____

6. OUTLET OD SIZE _____

7. OVER ALL LENGTH _____

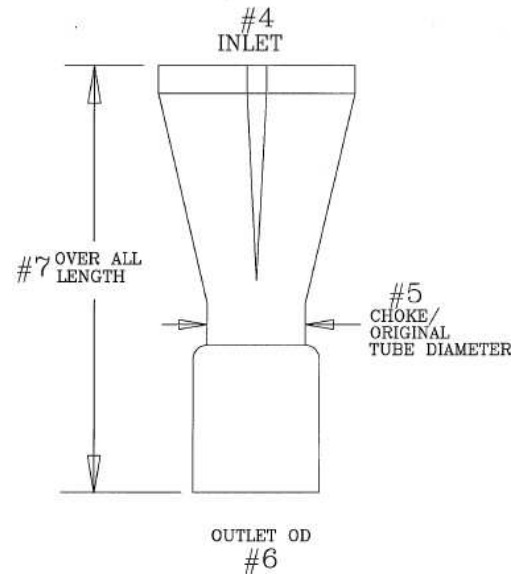
8. QUANTITY ORDERED/REQUESTED _____

9. REQUEST QUOTE? YES _____ NO _____

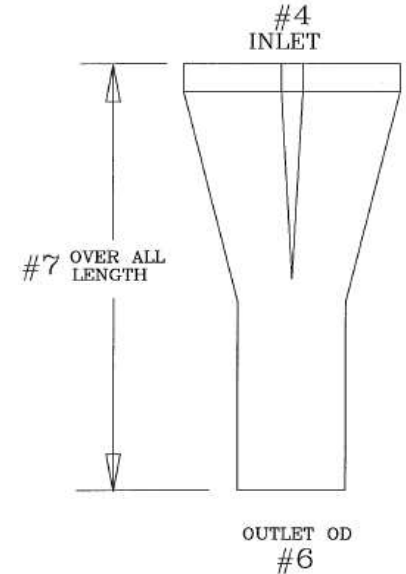
PROVIDED BY HUTH/BEN PEARSON INTERNATIONAL:

ISSUED PART NUMBER _____

MERGE COLLECTOR



STRAIGHT COLLECTOR



HUTH – BEN PEARSON INTERNATIONAL LLC

260 GRANT ST. HARTFORD, WI 53027

WWW.HUTHBENDERS.COM 800-558-7808 FAX 262-673-9443