



FOR DRY SYSTEMS **Model 3011BV**

INSPECTOR'S TEST®

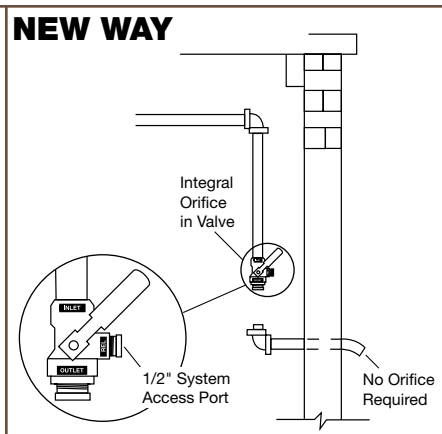
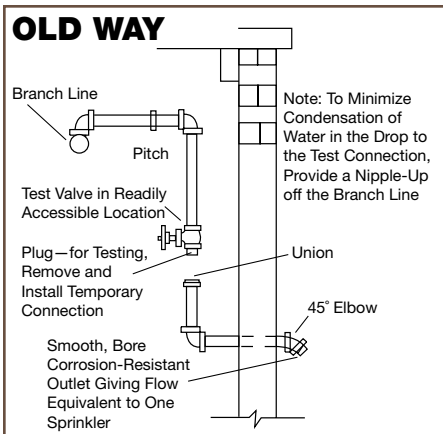
Remote Inspector's Test for Dry Systems



1"



- The AGF Manufacturing Inc. **Model 3011BV INSPECTOR'S TEST®** is designed to perform the remote inspector's test function as required for dry pipe systems by NFPA 13, 2007 Edition (see reverse).
- The **Model 3011BV INSPECTOR'S TEST®** is a single handle bronze ball valve rated at 300 PSI.
- Available with test orifice sizes of 3/8" (2.8K), 7/16" (4.2K), 1/2" (5.6K), 17/32" (8.0K), and 5/8" (11.2K, ELO).
- The **Model 3011BV INSPECTOR'S TEST®** is also available with optional sight glass as the **Model 3011SG**. Other products available in the 3011 family include the **Model 3011A** (which includes a **Model 7000 Pressure Relief Valve** with drainage piping) and the **Model 3011ASG**, (which includes a sight glass, along with the **Model 7000 Pressure Relief Valve** with drainage piping.)



ADVANTAGES

- Hours spent testing, draining, reactivating, and component installation are now reduced to minutes.
- Sight glass option saves time witnessing flow from the exterior of the building.

Reliability, Versatility, Code Compatibility



FOR DRY SYSTEMS

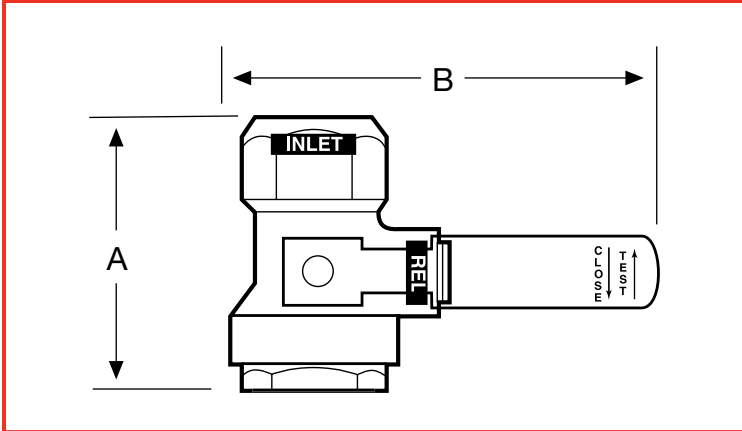
Model 3011BV



INSPECTOR'S TEST®

Model 3011 300 PSI Bronze Ball Valve

MODEL 3011BV



DIMENSIONS

Orifice Size Available: 3/8", 7/16", 1/2", 17/32", ELO (5/8")

Model	A	B
3011	3 1/16" (75 mm)	4 11/16" (118 mm)

MATERIALS

- Handle: Steel
- Stem: Rod Brass
- Ball: C.P. Bronze
- Body: Bronze
- Valve Seat: Virgin Teflon®
- Sight Glass: Bronze & Glass
- Hex Plug: Brass

APPROVALS

- UL and ULC Listed: EX4019
- FM Approved
- NYC-BSA No. 720-87-SM



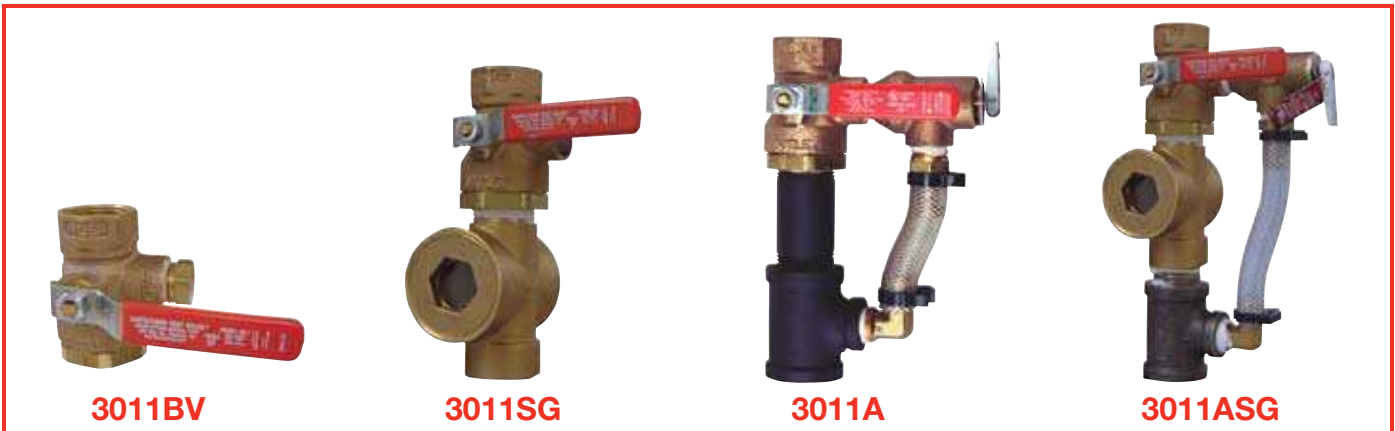
THE MODEL 3011BV PROVIDES ALL OF THE FOLLOWING...

From the 2007 Edition of NFPA 13:

Paragraph 8.17.4.3.1, 8.17.4.3.2 Dry Pipe Systems

A trip test connection not less than 1" (25 mm) in diameter terminating in a smooth bore corrosion-resistant orifice, to provide flow equivalent to one sprinkler of a type installed on the trip test connection, shall be located on the end of the most distant sprinkler pipe in the upper story and shall be equipped with a readily accessible shutoff valve and plug not less than 1" (25 mm) at least one of which shall be brass.

THE MODEL 3011 FAMILY...



3011BV

3011SG

3011A

3011ASG

USA Patent # 4971109 and Other Patents Pending



AGF Manufacturing Inc.
 100 Quaker Lane, Malvern, PA 19355
 Phone: 610-240-4900
 Fax: 610-240-4906
 www.testandrain.com

Job Name: _____
 Architect: _____
 Engineer: _____
 Contractor: _____