

# Product Owner's Manual

## Commercial Products

### Treadmills:

- 954i
- 932i

### Ellipticals:

- EFX536i
- EFX532i

### Bike:

- 842i





# Important Safety Instructions

Read all instructions in the documentation provided with your exercise equipment, including all assembly guides, user guides, and owner's manuals, before installation of this device.

The display apparatus (hereinafter referred to as the *console*) is intended to be shipped with new Precor exercise equipment (hereinafter referred to as the *base unit*). It is not packaged for individual sale.

**WARNING** To prevent injury, the console must be attached securely to the base unit following all assembly and installation instructions shipped with the base unit. The console is intended to be connected to AC mains power through the furnished power supply ONLY. It should be powered on only when installed as described in the assembly and installation instructions shipped with the base unit. The console is intended for use only with Precor fitness equipment, not as a standalone device.

## Safety Precautions

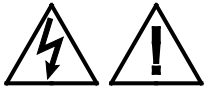
Always follow basic safety precautions when using this equipment to reduce the chance of injury, fire, or damage. Other sections in this manual provide more details of safety features. Be sure to read these sections and observe all safety notices. These precautions include the following:

- Read all instructions in this guide before installing and using the equipment and follow any labels on the equipment.

- Make sure all users see a physician for a complete physical examination before they begin any fitness program, particularly if they have high blood pressure, high cholesterol or heart disease; have a family history of any of the preceding conditions; are over the age of 45; smoke; are obese; have not exercised regularly in the past year; or are taking any medication.
- *Il est conseillé de subir un examen médical complet avant d'entreprendre tout programme d'exercice. Si vous avez des étourdissements ou des faiblesses, arrêtez les exercices immédiatement.*
- Do not allow children, or people unfamiliar with the operation of this equipment, on or near it. Do not leave children unsupervised around the equipment.
- Make sure all users wear proper exercise clothing and shoes for their workouts and avoid loose or dangling clothing. Users should not wear shoes with heels or leather soles, and they should check the soles of their shoes to remove any dirt and embedded stones. They should also tie long hair back.
- Never leave the equipment unattended when it is plugged in. Unplug the equipment from its power source when it is not in use, before cleaning it, and before providing authorized service.  
**Note:** The optional power adapter is considered a power source for self-powered equipment.
- Use the power adapter provided with the equipment. Plug the power adapter into an appropriate, grounded power outlet as marked on the equipment.

- Care should be taken when mounting or dismounting the equipment.
  - Read, understand, and test the emergency stop procedures before use.
  - Keep the power cord or optional power adapter and plug away from heated surfaces.
  - Route power cables so that they are not walked on, pinched, or damaged by items placed upon or against them, including the equipment itself.
  - Ensure the equipment has adequate ventilation. Do not place anything on top of or over the equipment. Do not use on a cushioned surface that could block the ventilation opening.
  - Assemble and operate the equipment on a solid, level surface.
  - Proper Location for Equipment
    - For all equipment other than treadmills: Locate at least 40 inches (1 meter) away from walls or furniture on either side of the equipment, and 40 inches (1 meter) away from objects behind the equipment.
    - For treadmills: Locate at least 40 inches (1 meter) away from walls or furniture on either side of the treadmill, and at least 80 inches (2 meters) away from objects behind the treadmill.
- Important:** *These location standards should also be used when positioning equipment away from sources of heat, such as radiators, heat registers, and stoves. Avoid temperature extremes.*
- Keep equipment away from water and moisture. Avoid dropping anything on or spilling anything inside the equipment to prevent electric shock or damage to the electronics.
  - When using the treadmill, always attach the safety clip to your clothing before beginning your workout. Failure to use the safety clip may pose a greater risk of injury in the event of a fall.
  - Keep in mind that heart rate monitors are not medical devices. Various factors, including the user's movement, may affect the accuracy of the heart rate readings. The heart rate monitors are intended only as exercise aids in determining heart rate trends in general.
  - Do not operate electrically powered equipment in damp or wet locations.
  - Never operate this equipment if it has a damaged cord or plug, if it is not working properly, or if it has been dropped, damaged, or exposed to water. Call for service immediately if any of these conditions exist.
  - Maintain the equipment to keep it in good working condition, as described in the *Maintenance* section of the owner's manual. Inspect the equipment for incorrect, worn, or loose components, and then correct, replace or tighten prior to use.
  - If you plan to move the equipment, obtain help and use proper lifting techniques.
  - Equipment Weight Restrictions: Do not use the treadmill if you weigh more than 500 pounds (225 kg). If you weigh more than 350 pounds (160 kg), do not run on the treadmill. For all other fitness equipment, the weight limit is 350 pounds (160 kg).
  - Use the equipment only for its intended purpose as described in this manual. Do not use accessory attachments that are not recommended by Precor. Such attachments may cause injuries.
  - Do not operate the equipment where aerosol (spray) products are being used or where oxygen is being administered.
  - Do not use outdoors.

- Do not attempt to service the equipment yourself, except to follow the maintenance instructions in the owner's manual.
- Never drop or insert objects into any opening. Keep hands away from moving parts.
- Do not set anything on the stationary handrails, handlebars, control console, or covers. Place liquids, magazines, and books in the appropriate receptacles.
- Do not lean on or pull on the console at any time.



**CAUTION: DO NOT remove the cover, or you may risk injury due to electric shock. Read the assembly and maintenance guide before operating. There are no user-serviceable parts inside. Contact Customer Support if the equipment needs servicing. For use with single phase AC power only.**

## Educating Users

Take time to educate users about the Important Safety Instructions found in both the *User Reference Manual* and *Product Owner's Manual*. Explain to your club or facility patrons that they should observe the following precautions:

- Hold onto a stationary handrail or handlebar while assuming the starting position on the equipment.
- Face the console at all times.
- On treadmills, straddle the running belt and attach the safety clip to clothing at waist level before touching the control console.  
  
*Important: For safety, make sure users step onto the running belt while it is moving at or below 1 mile per hour (1.6 kilometers per hour).*
- Hold on to a stationary handrail or handlebar with one hand whenever you operate the console keys with the other hand.

## Hazardous Materials and Proper Disposal

The batteries within self-powered equipment contain materials that are considered hazardous to the environment. Federal law requires proper disposal of these batteries.

If you plan to dispose of your equipment, contact Precor Commercial Products Customer Support for information regarding battery removal. Refer to *Obtaining Service*.

## Product Recycling and Disposal

This equipment must be recycled or discarded according to applicable local and national regulations.

Product labels, in accordance with European Directive 2002/96/EC concerning waste electrical and electronic equipment (WEEE), determine the framework for the return and recycling of used equipment as applicable throughout the European Union. The WEEE label indicates that the product is not to be thrown away, but rather reclaimed upon end of life per this Directive.

In accordance with the European WEEE Directive, electrical and electronic equipment (EEE) is to be collected separately and to be reused, recycled, or recovered at end of life. Users of EEE with the WEEE label per Annex IV of the WEEE Directive must not dispose of end of life EEE as unsorted municipal waste, but use the collection framework available to customers for the return, recycling, and recovery of WEEE. Customer participation is important to minimize any potential effects of EEE on the environment and human health due to the potential presence of hazardous substances in EEE. For proper collection and treatment, refer to *Obtaining Service*.

## Regulatory Notices for Cardiovascular Exercise Equipment

The regulatory information in this section applies to the exercise equipment and its control console.

### Safety Approvals for Cardiovascular Equipment

Precor equipment has been tested and found to comply with the following applicable safety standards.

#### **Cardiovascular Type Equipment:**

- CAN/CSA, IEC, EN 60335-1 (Household and similar electrical appliances - Safety)
- EN 957 (Stationary training equipment, class S/B compliant equipment)

#### **PVS Regulatory Notice**

This Precor equipment has been tested and found to comply with the following applicable safety standards.

- CAN/CSA, UL, IEC, EN 60065 (Audio, video and similar electronic apparatus - Safety)

## Radio Frequency Interference (RFI)

This Precor exercise equipment conforms to the following national standards defining acceptable limits for radio frequency interference (RFI).

### ***Federal Communications Commission, Part 15***

This equipment has been tested and found to comply with the limits for a Class A digital device, pursuant to Part 15 of the FCC Rules. These limits are designed to provide reasonable protection against harmful interference in a commercial installation. The equipment generates, uses, and can radiate radio frequency energy and, if not installed and used in accordance with the owner's manual instructions, may cause harmful interference to radio communications.

**WARNING** Per FCC rules, changes or modifications not expressly approved by Precor could void the user's authority to operate the equipment.

### ***Industry Canada***

This Class A digital apparatus complies with Canadian ICES-003.

*Cet appareil numérique de la classe A est conforme à la norme NMB-003 du Canada.*

**ATTENTION: Haute Tension  
Débranchez avant de réparer**

### ***European Applications***

CE compliance is claimed to the following directives:

- 2004/108/EC EMC Directive
- 2006/95/EC LVD Directive
- 2002/95/EC RoHS Directive

Directive compliance has been verified to the following standards:

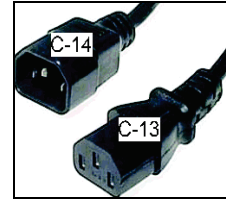
- EN 55022
- EN 55024
- EN 60335-1
- EN 60065 (P80 and PVS)

## Electrical Recommendations: All Equipment Excluding Treadmills

**Note:** This is a recommendation only. NEC (National Electric Code) guidelines or local region electric codes must be followed.

For equipment fitted with a P80 console or Personal Viewing System (PVS) screen a separate power connection is required. For a 20 amp branch circuit up to 10 screens can be connected. If the branch circuit has any other devices plugged into the circuit the number of screens must be reduced by the wattage of the other devices.

**Note:** The typical splitter power cords that have IEC-320 C13 and C14 plugs have a recommended maximum capacity of five screens.



**Figure 1: IEC-320 C13 and C14 plugs**

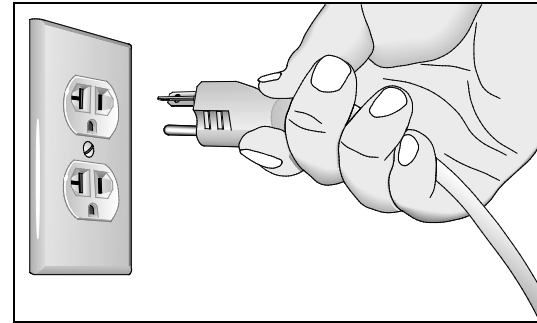


## Electrical Recommendations: 120 V and 240 V Treadmills

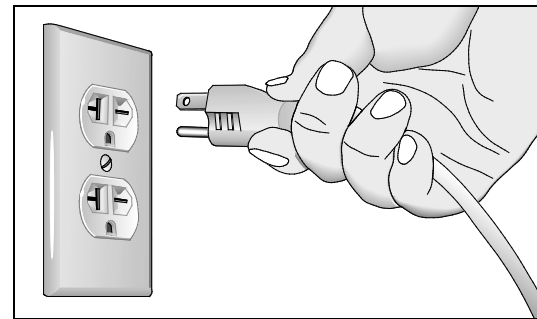
**Note:** This is a recommendation only. NEC (National Electric Code) guidelines or local region electric codes must be followed.

You should have received a power cable that meets your local electrical code requirements along with the equipment. Precor treadmills must be connected to a 20 amp individual branch circuit that can be shared only with one PVS. If you need additional help with the power connections contact your Precor authorized dealer.

**Important:** An individual branch circuit provides a hot conductor and neutral conductor to a receptacle. The conductors must not be looped, "daisy-chained", or connected to any other conductors. The circuit must be grounded according to NEC guidelines or local region electric codes.



**Figure 2: North American 120-volt, 20-amp power receptacle**



**Figure 3: North American 240-volt, 20-amp power receptacle**

## Obtaining Service

Do not attempt to service the equipment except for maintenance tasks. If any items are missing, contact your dealer. For more information regarding customer support numbers or a list of Precor authorized service centers, visit the Precor web site at <http://www.precor.com>.

# Table of Contents

<b>Important Safety Instructions</b> .....	<b>1</b>
Safety Precautions.....	1
Educating Users.....	3
Hazardous Materials and Proper Disposal.....	4
Product Recycling and Disposal.....	4
Regulatory Notices for Cardiovascular Exercise Equipment.....	4
Electrical Recommendations: All Equipment Excluding Treadmills.....	6
Electrical Recommendations: 120 V and 240 V Treadmills.....	7
Obtaining Service.....	7
<b>Treadmill Safety Features</b> .....	<b>10</b>
Entering the Safety Code.....	10
Using the Safety Clip.....	10
Turning the Treadmill On and Off.....	11
Weight Limit .....	11
Location.....	11

<b>Self-Powered Features</b> .....	<b>12</b>
Informational Displays Prior to Shutdown.....	12
Symptoms of a Low Battery.....	13
Using the Optional Power Adapter.....	13
The Optional Power Adapter Kit .....	14
Replacing the Battery .....	14
<b>Club Features</b> .....	<b>15</b>
Club Programming Tips.....	17
Changing the Product Settings.....	17
Treadmill: Selecting Safety Code Protection .....	21
Choosing a Language.....	21
Selecting a U.S. Standard or Metric Display.....	22
Setting a Workout Session Time Limit .....	22
Setting a Pause Time Limit.....	23
Setting a Cool Down Time Limit.....	23
Treadmill: Determining the Club Speed Limit .....	24
Treadmill: Setting an Incline Limit .....	24
Treadmill: Accessing Performance Programs .....	25
Treadmill: Changing Remote Control Access.....	25
EFX: Changing the Auto-Level Setting.....	26
Bike: Setting a Resistance Range .....	26
Informational Displays.....	27
User ID Entry with CSAFE Equipment.....	30

<b>Maintenance</b> .....	<b>31</b>
Daily Inspection .....	31
Daily Cleaning .....	31
EFX: Cleaning the Ramp .....	32
Storing the Chest Strap.....	32
Treadmill: Checking the Alignment of the Running Belt.....	33
Treadmill: Adjusting the Running Belt .....	34
Recumbent Bike: Realigning the Seat .....	35
Moving the Equipment .....	36
Long-Term Storage.....	36

<b>Commercial Cardiovascular Equipment Limited Warranty</b> .....	<b>37</b>
---	-----------

# Treadmill Safety Features

Before allowing users on Precor equipment, review the *Important Safety Instructions* found at the beginning of this manual. You should also teach your patrons how to safely use the equipment following the guidelines in *Educating Users*.

## Entering the Safety Code

When the equipment is shipped from the factory, the safety code protection feature is disabled. If you wish to enable the safety code, refer to *Club Features*. Inform users that the equipment requests a safety code to help prevent unauthorized use. When users select a program or press QUICKSTART at the PRECOR banner, the following prompt appears:

### ENTER SAFETY CODE

Users have two minutes to press the following number key sequence and continue their workout: 1, 2, 3, 4.

**Important:** Tell users to hold onto the handrail with one hand before entering the safety code with the other hand.

If the correct keys are pressed, the program selection process begins. If the code is incorrect, the display prompts the user to reenter the code after a 2-minute time out.

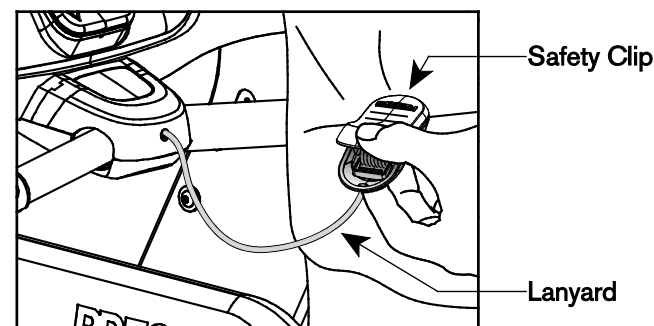
**Note:** On the treadmill, a 3-second countdown appears on the display, and then the running belt starts moving. Refer to *Workout Options* in the *User's Reference Manual*.

## Using the Safety Clip

Instruct users how important it is to use the safety clip while exercising on the treadmill. Instruct them on how to attach it to their clothing near their waistline. If any complications occur, a strong tug on the safety lanyard will stop the running belt.

If the safety switch trips while users are exercising, have them reattach the safety clip, press the SPEED up key or QUICKSTART and reenter the safety code, if necessary.

**Note:** The treadmill retains users' workout statistics if they resume their workout within the limit set for pause mode.



**Figure 4: Attaching the safety clip**

## Turning the Treadmill On and Off

To turn the treadmill On and Off, use the power switch located beneath the hood, near the power cord receptacle.

*Important: When it is not being used, turn the treadmill Off.*

## Weight Limit

You should not allow runners over 350 lb. (160 kg) or walkers heavier than 500 lb. (225 kg) on the treadmill.

## Location

It is important to keep the area around the treadmill open and free from encumbrances such as other equipment. The minimum space requirement needed for user safety and proper maintenance is three feet wide by six feet deep (one meter wide by two meters deep), directly behind the running belt.

# Self-Powered Features

On self-powered equipment, the battery initializes and displays the Precor banner when a user starts exercising. A minimum rate of motion must be maintained for the banner to appear, as shown in the following table. When a person meets the requirements, the power that is generated allows the equipment to function properly.

**Table 1. Minimum requirements for operation**

<b>Equipment</b>	<b>Rate of Motion</b>
EFX	40 strides per minute (SPM)
Cycle	20 revolutions per minute (RPM)

Informational displays appear when the battery is low or when the rate of motion drops below the minimum requirements. The display explains what to do to retain power. If the messages are ignored, the equipment begins shutdown procedures to maintain the charge of the battery. Refer to *Informational Displays Prior to Shutdown*.

An optional power adapter can be purchased and provides sustained power to the equipment. If you plan to change the program settings, the power adapter is highly recommended. To purchase the optional power adapter, check with your dealer.

## Informational Displays Prior to Shutdown

The equipment saves its battery charge by moving into a shutdown mode. If the user does not maintain the minimum rate of motion, a 30-second shutdown process begins.

Dots appear in the display and all key presses are ignored. If no movement is detected or the rate of motion remains below the minimum, the dots steadily disappear as the countdown continues.

**Note:** The user can resume exercising if he or she begins before the countdown period elapses.

**Important:** *If the equipment is connected to a CSAFE master device, a slightly different scenario occurs. When ten seconds remain before the equipment shuts off, the exercise session ends. **RESETTING** appears in the display while the equipment disconnects from the CSAFE master device. All key presses are ignored.*

## Symptoms of a Low Battery

If no one has used the equipment for an extended period of time, the battery may need recharging.

Symptoms of a low battery include:

- A flickering or erratic display
- User and workout information is lost once the user stops exercising. No workout summary or notification of pending shutdown occurs.

**Important:** *To maintain a constant power source, use the optional power adapter.*

## Using the Optional Power Adapter

After connecting the power adapter to the equipment, plug the opposite end into the appropriate power source 120 V or 240 V.

**CAUTION: When the optional power adapter is in use, make sure that the power supply cord does not create a safety hazard. Keep it out of the way of traffic and moving parts. If the power supply cord or power conversion module is damaged, it must be replaced.**

The display functions differently when the power adapter is connected. Because the power adapter provides a constant source of power, a user can pause for brief periods without initiating shutdown procedures. When the pause time limit expires and the user has not resumed exercising, the display returns to the Precor banner. Refer to *Setting a Pause Time Limit*. To learn how to install the power adapter, refer to *The Optional Power Adapter Kit*.

## The Optional Power Adapter Kit

If you purchase the optional power adapter, you must also purchase the internal cable kit. The kit supplies the cable, bracket, and fasteners that connect the power adapter to the lower electronics board.

**CAUTION: The internal cable kit must be installed by authorized service personnel. Do not attempt installation on your own as you could void the Precor Limited Warranty. For more information, refer to *Obtaining Service*.**

Once the internal cable kit is installed, you can plug the optional power adapter into the equipment. Plug the opposite end into the appropriate power source for your equipment 120 V or 240 V. Review the safety instructions found at the beginning of this manual before using the power adapter.

## Replacing the Battery

The equipment's battery is built to last for a long time. However, if you feel that the battery may need replacing, check with an authorized service technician. Refer to *Obtaining Service*.

**CAUTION: The battery stored inside the equipment contains hazardous materials and must be disposed of according to Hazardous Waste Regulations. Refer to *Hazardous Materials and Proper Disposal*.**



# Club Features

This section is designed to show you how to customize the equipment for your users and view useful product information. All these features remain hidden to the users and can only be accessed using special keypresses. These custom settings allow you to

- Enable or disable the safety code (treadmill)
- Change the display to a different language
- Change the display to show U.S. standard or metric measurements
- Set the maximum exercise and pause times
- Set a cool down time limit
- Set the maximum speed and incline (treadmill)
- Enable or disable hidden programs or remote access (treadmill)

- Change the auto-level setting (EFX)
- Set the resistance range (bike)
- View the odometer
- Display the number of hours the equipment has been in use
- View the software versions and part numbers
- Display the serial number
- Check the program usage and error logs

**Note:** To review the product programming prompts and factory default settings that can be changed through product programming mode, refer to the following table.

**Table 2. Club custom features and settings for the treadmill and EFX**

<b>Equipment</b>	<b>Club Programming Prompt</b>	<b>Factory Default Setting</b>	<b>Changes you can make</b>
Treadmill	<b>SAFETY CODE</b>	Disabled	An <i>enabled</i> safety code requires a 4-digit entry code before users can access any exercise programs.
All *	<b>SELECT LANGUAGE</b>	English	Several languages affect the display prompts. Choose one.
All *	<b>SELECT UNITS</b>	U.S.	Two standard units of measure affect the display prompts. Choose between U.S. or Metric.
All *	<b>SET MAX WORKOUT TIME</b>	60 minutes	Exercise session time limits range from 1 to 240 minutes. <b>NO LIMIT</b> is accessible beyond 240 minutes.
All *	<b>SET MAX PAUSE TIME</b>	120 seconds	Pause time limits range from 1 to 120 seconds (2 minutes). Restrictions exist for self-powered equipment.
All *	<b>SET COOL DOWN TIME</b>	5 minutes	Cool-down time limits range from 1 to 5 minutes.
Treadmill	<b>SET SPEED LIMIT</b>	Maximum speed available.	Refer to <i>Treadmill: Determining the Club Speed Limit</i> .
Treadmill	<b>SET INCLINE LIMIT</b>	Maximum grade possible.	Refer to <i>Treadmill: Setting an Incline Limit</i> .
Treadmill	<b>HIDDEN PROGRAMS</b>	Hide programs	Two options are available: Show Programs or Hide Programs. Choose one.
Treadmill	<b>REMOTE SPEED CONTROL</b>	Disabled	A computer must be connected through the CSAFE port to enable this feature and change the speed or incline for a specific user.
EFX	<b>SET CROSSRAMP AUTO-LEVEL</b>	Mid-level of ramp incline range	This prompt appears on equipment with adjustable ramps. Settings range from 1 to 20. Refer to EFX: Changing the Auto-Level Setting.
Cycle	<b>SET RESISTANCE RANGE</b>	High	Settings range from High, Medium, and Low. Refer to Bike: Setting a Resistance Range.

\* This feature is available in all Precor club equipment.

**Note:** When you make changes in club programming mode, the new settings replace the factory defaults.

## Club Programming Tips

- Always start at the Precor banner.
- Electrical power must be supplied. For self-powered equipment, a constant power source is available if you use the optional power adapter. Otherwise, users have to maintain the minimum rate of motion. If you plan to program self-powered equipment, purchasing the optional power adapter is highly recommended.

**Note:** If you do not use the optional power adapter during programming mode, and the rate of motion falls below the minimum requirements, no warning is given when the equipment moves into its 30-second shutdown procedure.

- The club programming mode is accessed by pressing the RESET key at the Precor banner. The remaining key presses must occur quickly and without pause.

**Note:** Treadmill keys that can be used interchangeably in club programming mode are: PAUSE/RESET and the red STOP button. On the EFX, the CLEAR and ENTER keys perform specific functions, but the number keypad is disabled once you enter club programming mode.

- Changes made in the programming mode become the default settings when the display resets to the Precor banner.

## Changing the Product Settings

You must be in the Programming mode before you can change the settings.

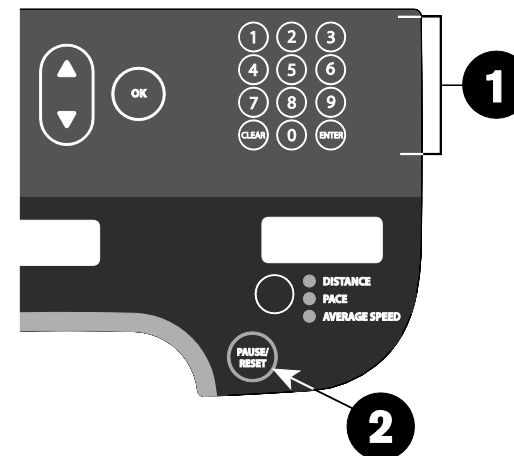
**To access the programming mode:**

1. At the Precor banner, press the following keys in sequence without pausing between selections:

**RESET, 5, 6, 5, 1, 5, 6, 5**

**Note:** A PAUSE/RESET key appears on some products and functions the same as the RESET key.

The programming prompts appear sequentially and in a menu format.



**Figure 5: Keys used in programming mode**

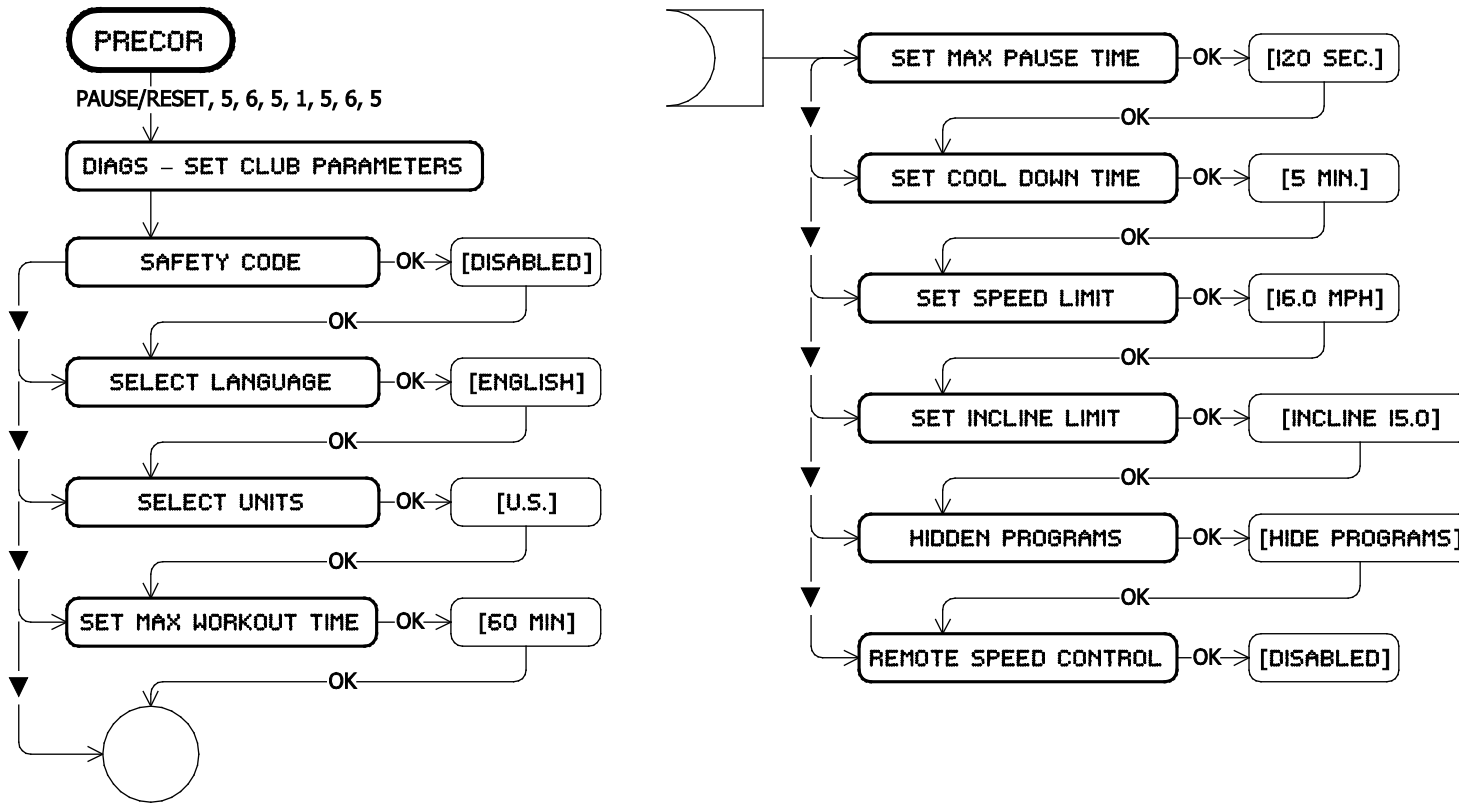
2. The following table describes how to use the keys to navigate the programming mode menus.

**Table 3. Programming mode keys**

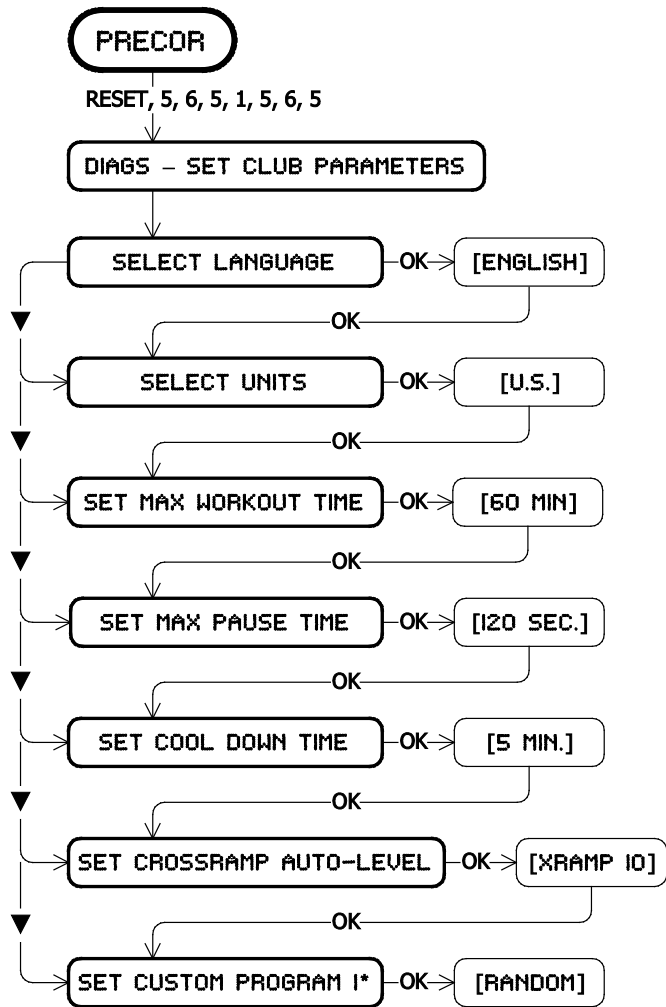
<b>Key</b>	<b>Description</b>
▲ or ▼	Navigational arrows: Move you through the menu and can also be used to increase or decrease time units.
OK	Press to choose or accept the displayed selection.
Number keypad CLEAR <b>1</b>	Returns user to the previous menu level without saving changes.
PAUSE/RESET <b>2</b>	Exits Programming mode and returns to the Precor banner.

**Note:** The number keypad is disabled once you enter programming mode.

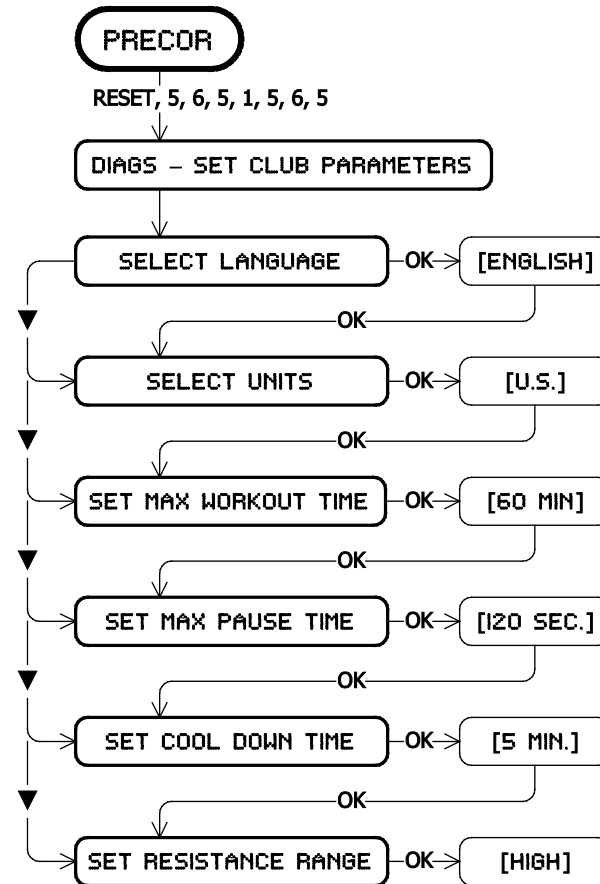
Use the following flowchart to navigate through the menu settings on treadmills.



Use the following flowchart to navigate through the menu settings on ellipticals.



Use the following flowchart to navigate through the menu settings on bikes.



## Treadmill: Selecting Safety Code Protection

When the equipment is shipped from the factory, the safety code protection feature is disabled. If you enable the safety code, your patrons will need to enter four number keys in sequence to begin their exercise session and, on the treadmill, start the running belt. If the correct keys are not pressed within two minutes, further access is denied. For more information, refer to Entering the Safety Code.

1. At the **SAFETY CODE** prompt, press OK. Use the navigational arrow keys to alternate between the two selections.

<b>Setting</b>	<b>Description</b>
<b>ENABLED</b>	Causes the safety code prompt to appear prior to a workout and when returning from pause mode.
<b>DISABLED</b>	Does not require a safety code to operate.

**CAUTION: Do not assume the equipment is safe because of safety code protection. Never leave children unsupervised around the equipment.**

2. When you are ready, press OK to accept the displayed setting and move to the next feature. For further options, refer to the table in *Changing the Product Settings*.

## Choosing a Language

The equipment can display user prompts, text, and user entries in several different languages. When the equipment is shipped from the factory, the default language is English.

**Note:** Programming prompts are not affected by language selection. The prompts in this section continue to appear in English.

**To choose a language:**

1. At the **SELECT LANGUAGE** prompt, press OK. Use the navigational arrow keys to choose a language.
2. Press OK again to accept the displayed setting and move to the next feature.

## Selecting a U.S. Standard or Metric Display

The equipment can display measurements in either Metric or U.S. Standard. The default factory setting is U.S. Standard.

**To change the display measurement:**

1. At the **SELECT UNITS** prompt, press OK.

Use the navigational arrow keys to select a unit of measure (**US** or **METRIC**).

**CAUTION: If you change the Unit of Measure display on a treadmill, be sure to check the speed setting to verify that it is correct.**

2. Press OK to accept the displayed setting and move to the next feature.

## Setting a Workout Session Time Limit

You can limit how long a user can exercise on the equipment. For example, if you set the time limit to 20 minutes, users can only enter a session time between 1 and 20 minutes.

**Note:** The automatic cool down period is appended to the end of any time-based program, so adjust the time limit accordingly.

**To set a maximum workout time:**

1. At the **SET MAX WORKOUT TIME** prompt, press OK. Use the navigational arrow keys to change the displayed time limit.

**Note:** When you press and hold a navigational arrow key, the number increments by five, for example, 1, 5, 10, 15, 20. When you tap an arrow key, the number increments by one.

2. When you have selected a maximum workout time, press OK to accept the displayed setting and move to the next feature.

You can also let a user exercise indefinitely by selecting **NO LIMIT**. If you choose the **NO LIMIT** setting, you will need to provide the following instructions to your users.

**To exercise without a time limit:**

1. Select a program. The workout time appears in the display.
2. On the number keypad, type **240**.
3. Press the UP arrow key to display **NO LIMIT**, and press OK.

The exercise session times available are between 1 and 240 minutes.



## Setting a Pause Time Limit

You can limit how long a user can pause while exercising on the equipment by entering a time between 1 and 120 seconds (two minutes). For example, if you set a pause time limit of 60 seconds, the display automatically resets to the Precor banner if no movement is detected and no key press occurs for one minute.

**Important:** *The optional power adapter must be connected on self-powered equipment to establish a definitive pause time limit. If the optional power adapter is not attached and the rate of motion drops below the minimum requirements, the equipment begins its 30-second shutdown, effectively eliminating pause mode.*

### To set a maximum pause time:

1. At the **SET MAX PAUSE TIME** prompt, press OK. Use the navigational arrow keys to select a time limit between 1 and 120 seconds (two minutes).
2. Press OK to accept the displayed setting and move to the next feature.

## Setting a Cool Down Time Limit

Use this setting to select the maximum amount of time the machine will remain in the cool down mode. Cool down time is the period of time following the completion of a program when the user exercises at a reduced work rate.

### To set a cool down time:

1. At the **SET COOL DOWN TIME** prompt, press OK.
2. Use the navigational arrow keys to display the available time limits and choose a time between 0 and 5 minutes.  
**Note:** The default setting is 5 minutes.
3. Press OK to accept the displayed setting and move to the next feature.

## Treadmill: Determining the Club Speed Limit

You can set a maximum speed for the treadmill. This limits how fast the running belt moves and, consequently, the number of speed settings that are available to the user. The speed is displayed in miles per hour (mph) or kilometers per hour (kph) depending upon the units of measure (U.S. standard or Metric) selected earlier. The speed ranges from 0.5 to 12 mph (0.8 to 20kph).

**Important:** *If you select a number that limits the miles per hour, your change will not affect the kilometers per hour (and vice versa). The treadmill does not convert the speed entered in mph (U.S. standard) to kph (Metric). It stores separate numbers for the different units of measure. To enter both values, you must first reset the display to the appropriate unit of measure, and then change the speed limit in this program. Refer to Selecting a U.S. Standard or Metric Display.*

1. At the **SET SPEED LIMIT** prompt, press OK. Use the navigational arrow keys to select the desired running belt speed limit.
2. When you are ready, press OK to accept the displayed setting and move to the next feature. For other options, refer to the table in *Changing the Product Settings*.

## Treadmill: Setting an Incline Limit

You can set the maximum grade (percent of incline) for the treadmill. This limits the degree of incline and, consequently, the number of incline settings that are available to the user. The available range is 0% to 15% grade.

1. At the **SET INCLINE LIMIT** prompt, press OK. Use the navigational arrow keys to select the desired grade.
2. When you are ready, press OK to accept the displayed setting and move to the next program. For other options, refer to the table in *Changing the Product Settings*.

## Treadmill: Accessing Performance Programs

The performance-based Gerkin Fitness Test on the treadmill can be hidden from the user's view and, consequently, be unavailable during an exercise session.

If you keep the default factory setting, the Track program appears when the PERFORMANCE key is pressed.

If you wish to change this setting, perform the following steps:

1. Press OK to review the current **HIDDEN PROGRAMS** selection. Use the navigational arrow keys to alternate between the two selections.

<b>Setting</b>	<b>Description</b>
<b>SHOW PROGRAMS</b>	Causes the Fitness Test to appear and replace the Track program when a user presses the PERFORMANCE key.
<b>HIDE PROGRAMS</b>	Hides the Fitness Test and makes it inaccessible to the user. The Track Program appears when a user presses the PERFORMANCE key.

2. When you are ready, press OK to accept the displayed setting and move to the next program. For other options, refer to the table in *Changing the Product Settings*.

## Treadmill: Changing Remote Control Access

**Important:** To affect this setting, the treadmill must be connected to a computer and you will need to be familiar with CSAFE commands.

When you enable this program, you can set a user's speed and incline through a computer software program which interfaces with the CSAFE port on the treadmill.

The default factory setting is set to **DISABLED**. To change this setting, perform the following steps:

1. At the **REMOTE SPEED CONTROL** prompt, press OK. Use the navigational arrow keys to alternate between the two selections.

<b>Setting</b>	<b>Description</b>
<b>ENABLED</b>	Lets you set the speed and incline for individual users and their selected program using CSAFE commands through a computer connection.
<b>DISABLED</b>	Disconnects remote access so you cannot use the remote capabilities of a CSAFE connection. You would also use this setting when the treadmill is not connected to a computer.

2. When you are ready, press OK to accept the displayed setting and move to the next program. For other options, refer to the table in *Changing the Product Settings*.

## EFX: Changing the Auto-Level Setting

You can set a specific ramp incline so that the EFX automatically returns to it at the end of a workout session. Whatever incline you set, the EFX ramp returns to the setting if a user continues pedaling, once the program session has ended, and presses RESET to return to the Precor banner.

**Note:** This setting is available on equipment with adjustable ramps.

**Important:** *If you use this feature, connecting the optional power adapter is recommended. Instruct users about the auto-leveling feature and ask that they hold onto a stationary handrail with one hand while the equipment automatically moves to the set incline.*

1. At the **SET CROSSRAMP AUTO-LEVEL** prompt, press OK.
2. **XRAMP *n*** appears, where *n* is the ramp incline setting. Some displays only show a number without prefacing it with **XRAMP**. Use the navigational arrow keys to select the desired ramp incline setting from 1 to 20.
3. When you are ready, press OK to accept the displayed setting and move to the next feature. For other options, refer to the table in *Changing the Product Settings*.

## Bike: Setting a Resistance Range

The bike resistance levels are low, medium, and high. Within each setting, 25 levels of resistance are available, but the chosen setting affects the overall resistance range.

**To set a resistance range:**

1. At the **SET RESISTANCE RANGE** prompt, press OK and use the navigational arrow keys to choose **LOW**, **MEDIUM** or **HIGH** (**LO**, **MED**, or **HI** on some equipment).
2. Press OK to accept the displayed setting and move to the next feature.

The following table provides more information about each setting.

**Table 4. Resistance settings on bikes**

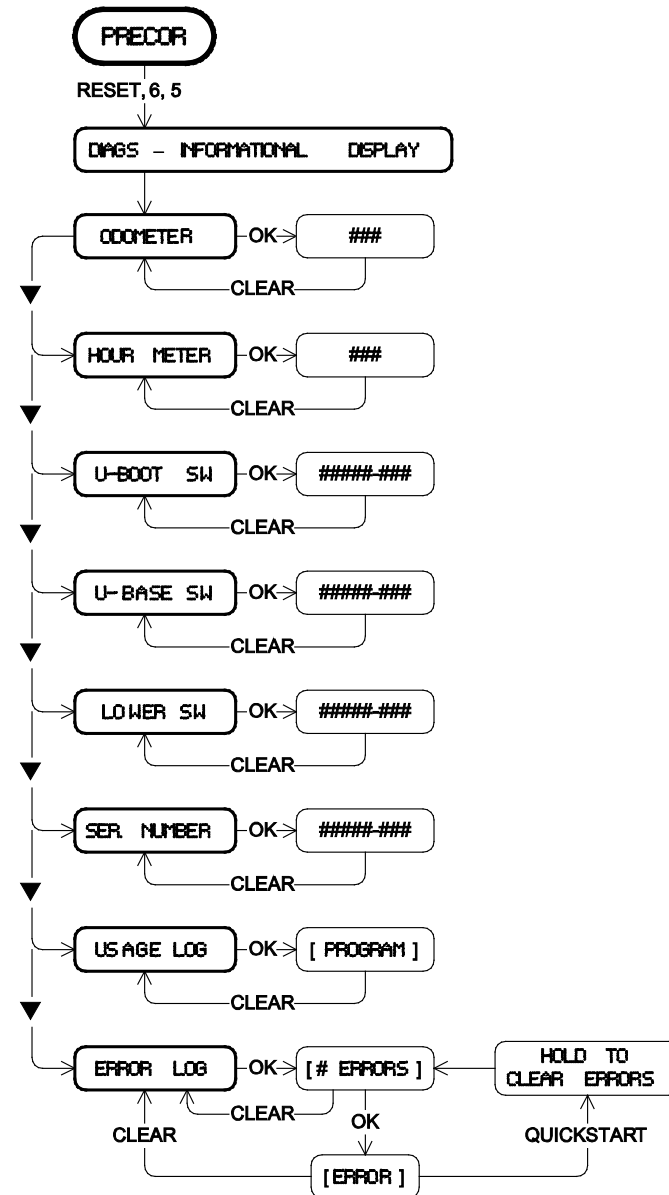
<b>Setting</b>	<b>Description</b>
<b>HI</b> or <b>HIGH</b>	<ul style="list-style-type: none"><li>• Provides the full range of resistance available.</li><li>• Provides enough resistance to simulate sprinting or hill climbing or for users who want to stand on the bike while pedaling.</li><li>• Provides enough resistance for elite riders that are capable of spinning at high speed with high resistance.</li></ul>
<b>MED</b> or <b>MEDIUM</b>	<ul style="list-style-type: none"><li>• Provides approximately two thirds of the resistance that is available within the high group setting.</li><li>• Select the medium range for recumbent bikes.</li><li>• A medium range allows users to make easier resistance changes in the preset programs.</li></ul>
<b>LO</b> or <b>LOW</b>	<ul style="list-style-type: none"><li>• Provides approximately one third of the resistance that is available within the high group setting.</li><li>• Appropriate in special situations where poorly conditioned users are anticipated.</li></ul>

# Informational Displays

Use the information displays to locate information about equipment use (odometer and hour meter), software versions and part numbers, serial number, usage log, and error log. In general, you would only access this information if directed to do so by Precor Customer Support.

To navigate through the informational displays, use the following flowchart. A table located after the flowchart provides more information about each more display.

**Note:** The CLEAR key is located on the number keypad. If your product has a PAUSE/RESET key, use it in place of the RESET key called out in the flowchart.



**Table 5. Informational Displays for all products**

<b>Product</b>	<b>Display</b>	<b>Description</b>
All	<b>HOURL METER</b>	<ul style="list-style-type: none"> <li>The number of hours that the equipment has been in use.</li> <li>The equipment tracks the elapsed minutes, but the value that appears is truncated to the nearest full hour.</li> </ul>
All	<b>U- BOOT SW</b>	Upper board application software part number and version. Note: Some displays show <b>UPPER BOOT SW PART NUMBER</b> .
All	<b>U- BASE SW</b>	Upper base application software version. Note: Some displays show <b>UPPER BASE SW PART NUMBER</b> .
All	<b>LOWER SW</b>	Lower application software version. Note: Some displays show <b>LOWER BASE SW PART NUMBER</b> .
All	<b>SER. NUMBER</b>	The serial number is helpful when you contact Customer Support. Note: Some displays show <b>SERIAL NUMBER</b> .
All	<b>USAGE LOG</b>	<ul style="list-style-type: none"> <li>The number of times each program has been used and displays the associated cumulative minutes.</li> <li>Helpful in determining user preferences in program selection.</li> </ul>
All	<b>ERROR LOG</b>	Displays any error codes that may have been detected by the software.
All	<b>ODOMETER</b>	<p>The odometer value correlates to the type of Precor product and the standard of units, U.S. or Metric, selected in the programs.</p> <ul style="list-style-type: none"> <li>Treadmill shows the number of cumulative miles or kilometers logged to date.</li> <li>EFX or AMT shows the number of total strides logged to date.</li> <li>Cycle shows the number of total revolutions logged to date.</li> <li>Climber indicates the number of floors climbed.</li> </ul>

**Table 6. Informational Displays for specific equipment or special cases**

<b>Product</b>	<b>Display</b>	<b>Description</b>
534i, 532i, AMT	<b>METRICS BOARD SW PART NUMBER</b>	Metrics board software part number and version.
AMT	<b>STRIDE DIAL SW PART NUMBER</b>	Stride dial software part number.

## Viewing the Error Log

Quick access to the informational display is available if error messages appear on the display and have been recorded in the error log. This feature is usually reserved for service personnel.

### To view the error log:

1. At the Precor banner, press and hold PAUSE/RESET for 4 seconds.
2. If **DIAGS - INFORMATION DISPLAY** or **ERROR LOG** appears, then press OK.

If any errors are logged, they appear on the display. If no errors are logged, a message such as **STOP KEY** or **STUCK KEY** appears instead.

3. Release the PAUSE/RESET key to return to the Precor banner.

**Note:** On treadmills, the red STOP button can be used instead of the PAUSE/RESET key.

## Erasing the Error Log

When you no longer need the error log information, you can erase the entries.

### To erase the error log entries:

1. Press QUICKSTART while any error description is scrolling across the display.
2. Continue to maintain light pressure on the key until the message **HOLD TO CLEAR ERRORS** scrolls off the display.
3. When you release Quickstart, the message **NO ERRORS** will appear in the display if the error log has been deleted.  
***Important:** You cannot retrieve the error log once you have deleted it. You may want to resolve any issues you are experiencing with the equipment before erasing the error log.*
4. Press RESET to return to the Precor banner.

## User ID Entry with CSAFE Equipment

The equipment is fully compatible with CSAFE protocols. When the equipment is connected to a CSAFE master device, the user is prompted to press ENTER and begin an identification process.

The user ID is displayed as five zeros and indicates the starting point. The following table describes key functions while in CSAFE mode.

**Table 7. CSAFE access keys**

<b>Keypad</b>	<b>Description</b>
Number keypad	Use the number keys to enter a user ID. The number that is pressed appears on the right. As the user continues, the numbers fill in the display from right to left. When all five numbers are in place, the user must press ENTER or OK to submit the user ID.
CLEAR or BACK	Erases individual numbers in the user ID from right to left.
ENTER or OK	Submits the user ID. <b>Note:</b> User ID entry is bypassed when the user enters five zeros. No workout statistics are recorded.
RESET or PAUSE/RESET	Resets the display to the banner.

A message appears on the display and indicates when the user ID is accepted by the CSAFE master device. Once program selection is complete, the user can begin exercising.

To review information about CSAFE specifications, visit the web site at: [www.fitlinxx.com/csafa](http://www.fitlinxx.com/csafa)

If you have questions or need technical support, refer to *Obtaining Service*.



# Maintenance

It is important to perform the minor maintenance tasks described below. Failure to maintain the equipment as described in this section could void the Precor Limited Warranty.

**DANGER** To reduce the risk of electrical shock, always unplug the equipment from its power source (an optional power adapter in the case of self-powered equipment) before cleaning it or performing any maintenance tasks.

## Daily Inspection

Look and listen for slipping belts, loose fasteners, unusual noises, worn or frayed power cords, and any other indications that the equipment may be in need of service. If you notice any of these, obtain service.

On treadmills, check for worn, frayed or missing safety lanyards. Replace missing or worn safety lanyards immediately. Make sure users attach the safety clip to their clothing before exercising on the treadmill.

**Important:** *If you determine that the equipment needs service, disconnect any power connections and move the equipment away from the exercising area. Place an OUT OF SERVICE sign on it and make sure all patrons and users know that they must not use the equipment.*

## Daily Cleaning

Precor recommends the equipment be cleaned before and after each exercise session. Use mild soap and water to dampen a clean, soft cloth and wipe all exposed surfaces. This helps remove dust and dirt.

**CAUTION:** Do not use any acidic cleaners. Doing so will weaken the paint or powder coatings and void the Precor Limited Warranty. Never pour water or spray liquids on any part of the equipment. Allow the equipment to dry completely before using.

Frequently vacuum the floor underneath the equipment to prevent the accumulation of dust and dirt, which can affect the smooth operation of the equipment. Use a soft nylon scrub brush to clean the running belt on treadmills or the grooves on equipment with foot pedals.

**CAUTION:** On treadmills, as you clean the hood or side rails, be aware of the handrail extensions so you do not inadvertently hit your head or injure yourself.

## EFX: Cleaning the Ramp

Whenever the ramp becomes soiled, clean the exposed surfaces of the ramp and roller wheels by taking the following steps.

**Note:** If your equipment has a ramp cover, remove it before performing the following steps. Refer to the *EFX Assembly Guide*.

1. Moisten a clean, soft cloth in a mild solution of soap and water.
2. Position one foot pedal at the top of the ramp (the other will automatically be positioned at the bottom).
3. Clean the exposed portions of the ramp.
4. Gently lift the roller wheels. Rotate each wheel while wiping it with the clean, soft cloth.
5. Switch the foot pedal position and finish cleaning the ramp.

## Storing the Chest Strap

If you purchased the optional heart rate chest strap, store it in a place where it remains free of dust and dirt (for example, in a closet or drawer). Be sure to protect the chest strap from extremes in temperature. Do not store it in a place that may be exposed to temperatures below 32° F (0° C).

To clean the chest strap, use a sponge or soft cloth dampened in mild soap and water. Dry the surface thoroughly with a clean towel.

**WARNING** Signals used by the Chest Strap Transmitter (or heart rate strap) may interfere with pacemakers or other implanted devices. Consult your physician and the manufacturers of your Chest Strap Transmitter and implanted device before using a Chest Strap Transmitter.

**Note:** To receive an accurate reading, the strap needs to be in direct contact with the skin on the lower sternum (just below the bust line for women).

## Treadmill: Checking the Alignment of the Running Belt

Proper belt alignment allows the belt to remain centered and ensures smooth operation. Realigning the belt takes a few simple adjustments. If you are unsure about this procedure, call Precor Customer Support. Refer to *Obtaining Service*.

**CAUTION: Special care must be taken when aligning the running belt. Turn Off the treadmill while adjusting or working near the rear roller. Remove any loose clothing and tie back your hair. Be very careful to keep your fingers and any other object clear of the belt and rollers, especially in front of the roller and behind the deck. The treadmill will not stop immediately if an object becomes caught in the belt or rollers.**

1. Make sure that the running surface is level. To operate correctly, the treadmill needs to be as level as possible. If needed, the rear feet can be adjusted to level the treadmill (refer to the *Assembly Guide*).
2. Turn the equipment On.
3. Stand beside the treadmill and press QUICKSTART.
4. If needed, enter the safety code by pressing the number keys in sequence: 1, 2, 3, 4.

The running belt starts automatically after a 3-second countdown appears on the display.

5. Press the SPEED up key until the display shows a speed of 3 mph (5 kph).

**CAUTION: If you hear any chafing or the running belt appears to be getting damaged, stop the running belt immediately by pressing the red STOP button. Contact Precor Customer Support.**

6. Walk around to the rear of the equipment and observe the belt for a few minutes. The belt should run centered along the running bed. If the belt drifts off center, you must make adjustments. Refer to *Treadmill: Adjusting the Running Belt*.

**Important:** *Failure to align the belt may cause the belt to tear or fray, which is not covered by the Precor Limited Warranty.*

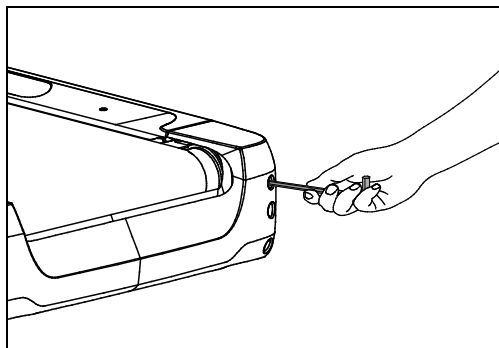
7. To stop the running belt, press the red STOP button.
8. Turn the treadmill Off.

## Treadmill: Adjusting the Running Belt

If you are unsure about adjusting the running belt, call Precor Customer Support (refer to *Obtaining Service*).

**CAUTION:** For your safety, use the power switch to turn Off the treadmill before making any adjustments. Do not adjust the running belt when someone is standing on the equipment.

1. Locate the right belt adjustment bolt in the rear end cap of the treadmill as shown in the following figure.



**Figure 6:** Location of the adjustment bolt

To determine left and right, stand at the rear of the treadmill and face the display. Make all belt adjustments on the right rear corner bolt using the hex key provided.

- If the belt is off center to the LEFT, turn the adjusting bolt  $\frac{1}{4}$  turn *counterclockwise*, which moves the running belt to the right.
- If the belt tracks off center to the RIGHT, turn the bolt  $\frac{1}{4}$  turn *clockwise*; this moves the belt to the left.

**Important:** Do not turn the adjusting bolt more than  $\frac{1}{4}$  turn at a time. Overtightening the bolt can damage the treadmill.

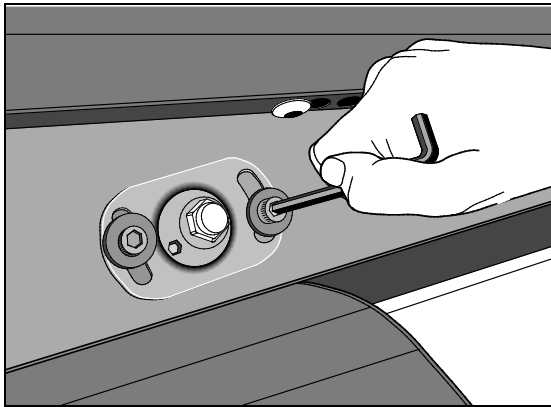
2. Recheck the alignment of the running belt by repeating the steps found in *Treadmill: Checking the Alignment of the Running Belt*.

## Recumbent Bike: Realigning the Seat

If the seat rocks side-to-side, you need to realign the center wheel underneath the seat. Adjustment screws are located on the left side of the seat rail.

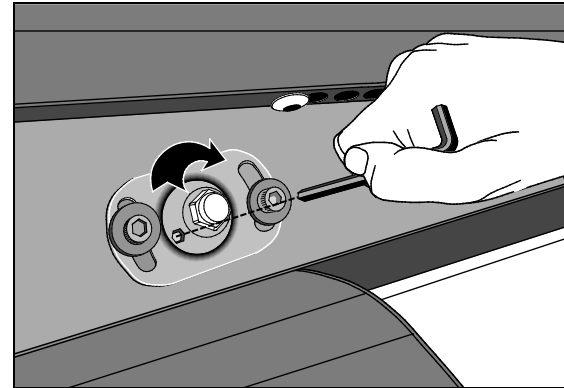
To remove seat wobble (side-to-side movement), take the following steps.

1. Obtain a  $\frac{3}{16}$ -inch and  $\frac{5}{16}$ -inch hex key.
2. Use the  $\frac{3}{16}$ -inch hex key to loosen the two adjustment screws as shown in the following figure.



**Figure 7: Loosening the two adjustment screws**

3. Use the  $\frac{5}{16}$ -inch hex key to turn the wheel lock adjustment key clockwise  $\frac{1}{4}$  turn as shown in the following figure. This process realigns the center wheel inside the top rail. Leave the  $\frac{5}{16}$ -inch hex key in place while you tighten the adjustment screws with the  $\frac{3}{16}$ -inch hex key.



**Figure 8: Realigning the center wheel**

4. Remove the hex keys and check that the seat no longer rocks side-to-side. If the rocking movement continues, you need to repeat steps 2 and 3.

## Moving the Equipment

It is important, if you plan to move the equipment, that you obtain adult help and use proper lifting techniques. The equipment is very heavy. Take advantage of the roller wheels on the equipment when moving it to a new location.

***Important:*** *The plastic end cap, on the treadmill, is specifically designed for lifting. To avoid injury to yourself or damage to the equipment, ask for help in placing the treadmill where you plan to use it. Place a hand under each end of the end cap and, using proper lifting techniques, lift the rear of the treadmill so that it rolls on its front wheels.*

## Long-Term Storage

When the equipment is not in use for any length of time, make sure it is turned Off (treadmill only) and the power cord or optional power adapter (self-powered equipment) is unplugged from its power source and is positioned so that it will not become damaged or interfere with people or other equipment.

# Commercial Cardiovascular Equipment Limited Warranty

PLEASE READ THESE WARRANTY TERMS AND CONDITIONS CAREFULLY BEFORE USING YOUR PRECOR INCORPORATED PRODUCT. BY USING THE EQUIPMENT, YOU ARE CONSENTING TO BE BOUND BY THE FOLLOWING WARRANTY TERMS AND CONDITIONS.

## Limited Warranty.

Precor Incorporated warrants all new Precor products to be free from defects in materials and manufacture for the warranty periods set forth below. The warranty periods commence on the invoice date of the original purchase. This warranty applies only against defects discovered within the warranty period and extends only to the original purchaser of the product. Parts repaired or replaced under the terms of this warranty will be warranted for the remainder of the original warranty period only. To claim under this warranty, the buyer must notify Precor or your authorized Precor dealer within 30 days after the date of discovery of any nonconformity and make the affected product available for inspection by Precor or its service representative. Precor's obligations under this warranty are limited as set forth below.

## Warranty Periods and Coverage.

**All Commercial Cardiovascular Products (excluding StretchTrainer, Strength Products, and coverage specific to certain models and options as defined below):**

- Frame: 7 years
- Treadmill drive motor: 5 years
- Items subject to wear: 1 year
- All other parts (including mechanical parts and electronic parts): 2 years
- Labor: 1 year

**880 Line Commercial Cardiovascular Products (superseding the coverage above where applicable):**

- Labor on the P80 console: 2 years
- High wear items on the P80 console, including headphone jack, USB connector, and iPod® connector: 90 days

## Options / Accessories

Many options or accessories have components that are connected internally or mounted inside the electronic console. The following guidelines determine the warranty for these components. If the internal components are installed by the factory or by an authorized dealer as part of the original sale and delivery, they have a warranty that is identical to the warranty of the equipment in which they are connected or mounted. If the internal components are not installed by the factory or by an authorized dealer as part of the original sale and delivery, they have a 90 days parts and labor limited warranty. All components that are not internally connected have a 90 days parts only limited warranty. Satisfactory proof of purchase is required in all cases.

## Conditions and Restrictions.

**This warranty is valid only in accordance with the conditions set forth below:**

1. The warranty applies to the Precor product only while
  - a. it remains in the possession of the original purchaser and proof of purchase is demonstrated.
  - b. it has not been subjected to accident, misuse, abuse, improper service, or non-Precor modification.
  - c. claims are made within the warranty period.
2. This warranty does not cover damage or equipment failure caused by electrical wiring not in compliance with electrical codes or Precor owner's manual specifications, or failure to provide reasonable and necessary maintenance as outlined in the owner's manual.
3. Precor is not responsible for Internet connectivity to its products. This restriction applies to services, such as those provided by an Internet service provider (ISP), and also to hardware related to Internet connectivity, such as Ethernet cabling, routers, servers and switches.

4. Precor is not responsible for the quality of television, video, audio, or other media supplied to its products. This restriction applies to services, such as those provided by a cable or satellite television provider; to signal strength and clarity; and also to hardware related to the reception and delivery of television, video, audio, and other media. Such hardware can include (but is not limited to) audio, video, and radio-frequency (RF) cabling, connectors, receivers, modulators, combiners, distribution amplifiers, splitters, and so on.
5. Precor cannot guarantee that the heart rate measurement system on its products will work for all users. Heart rate measurement accuracy varies based on a number of factors, including the user's physiology and age, the method in which the heart rate measurement system is used, external interference, and other factors that may influence heart rate acquisition.
6. Except in Canada, Precor does not pay labor outside the United States.
7. Warranties outside the United States and Canada may vary. Please contact your local Dealer for details.

**This Limited Warranty shall not apply to:**

1. Software version upgrades.
2. Software defects that do not materially and negatively affect the normal performance of the product under normal conditions of use.
3. Consumable goods or cosmetic items of the product, the exterior of which has been damaged or defaced as a result of abuse, misuse, accident, improper service or installation, mishandling, or modification in design or construction not authorized by Precor.
4. Repairs performed on Precor equipment missing a serial number or with a serial tag that has been altered or defaced.
5. Service calls to correct installation of the equipment or instruct owners on how to use the equipment.
6. Pickup and delivery involved with repairs.
7. Any labor costs incurred beyond the applicable labor warranty period.

**Disclaimer and Release.**

The warranties provided herein are the exclusive warranties given by Precor and supersede any prior, contrary or additional representations, whether oral or written. ANY IMPLIED WARRANTIES, INCLUDING THE WARRANTY OF MERCHANTABILITY OR FITNESS FOR A PARTICULAR PURPOSE THAT APPLY TO ANY PARTS DESCRIBED ABOVE ARE LIMITED IN DURATION TO THE PERIODS OF EXPRESS WARRANTIES GIVEN ABOVE FOR THOSE SAME PARTS. PRECOR HEREBY DISCLAIMS AND EXCLUDES THOSE WARRANTIES THEREAFTER. Some States do not allow limitations on how long an implied warranty lasts, so the above limitation may not apply to you. PRECOR ALSO HEREBY DISCLAIMS AND EXCLUDES ALL OTHER OBLIGATIONS OR LIABILITIES, EXPRESS OR IMPLIED, ARISING BY LAW OR OTHERWISE, WITH RESPECT TO ANY NONCONFORMANCE OR DEFECT IN ANY PRODUCT, INCLUDING BUT NOT LIMITED TO: (A) ANY OBLIGATION, LIABILITY, RIGHT, CLAIM OR REMEDY IN TORT, WHETHER OR NOT ARISING FROM THE NEGLIGENCE OF PRECOR OR ITS SUPPLIERS (WHETHER ACTIVE, PASSIVE OR IMPUTED); AND (B) ANY OBLIGATION, LIABILITY, RIGHT, CLAIM OR REMEDY FOR LOSS OF OR DAMAGE TO ANY EQUIPMENT. This disclaimer and release shall apply even if the express warranty set forth above fails of its essential purpose.

**Exclusive Remedies.**

For any product described above that fails to conform to its warranty, Precor will provide, at their option, one of the following: (1) repair; (2) replacement; or (3) refund of the purchase price. Precor Limited Warranty service may be obtained by contacting the authorized dealer from whom you purchased the item. Precor compensates Servicicers for warranty trips within their normal service area to repair commercial equipment at the customer's location. You may be charged a trip charge outside the service area. THESE SHALL BE THE SOLE AND EXCLUSIVE REMEDIES OF THE BUYER FOR ANY BREACH OF WARRANTY.



## **EXCLUSION OF CONSEQUENTIAL AND INCIDENTAL DAMAGES.**

PRECOR AND/OR ITS SUPPLIERS SHALL HAVE NO OBLIGATION OR LIABILITY, WHETHER ARISING IN CONTRACT (INCLUDING WARRANTY), TORT (INCLUDING ACTIVE, PASSIVE, OR IMPUTED NEGLIGENCE AND STRICT LIABILITY), OR OTHERWISE, FOR DAMAGE TO THE EQUIPMENT, PROPERTY DAMAGE, LOSS OF USE, REVENUE OR PROFIT, COST OF CAPITAL, COST OF SUBSTITUTE EQUIPMENT, ADDITIONAL COSTS INCURRED BY BUYER (BY WAY OF CORRECTION OR OTHERWISE) OR ANY OTHER INCIDENTAL, SPECIAL, INDIRECT, OR CONSEQUENTIAL DAMAGES, WHETHER RESULTING FROM NONDELIVERY OR FROM THE USE, MISUSE OR INABILITY TO USE THE PRODUCT. This exclusion applies even if the above warranty fails of its essential purposes and regardless of whether such damages are sought for breach of warranty, breach of contract, negligence, or strict liability in tort or under any other legal theory. Some states do not allow the exclusion or limitation of incidental or consequential damages, so the above limitation may not apply to you.

This warranty gives you specific legal rights, and you may also have other rights, which vary from state to state.

## **Complete this portion and keep for your records.**

Purchased From: \_\_\_\_\_  
*Example: Dealer or store name.*

Phone Number: \_\_\_\_\_  
*Example: Dealer or store telephone number.*

Product/model: \_\_\_\_\_  
*Example: AMT 885 or EFX 883.*

Serial number: \_\_\_\_\_  
*The serial number is found on the shipping container.*

Effective 1 November 2010  
P/N 36286-114

*Notes:*

*Notes:*

*Notes:*

**Thank You and Welcome to Precor**



We are confident that you will be pleased with your purchase and that your new Precor equipment will help satisfy your customers' fitness needs, while helping you meet your business goals.

To allow us to serve you better, please take a few moments to complete and return your warranty registration.

**YOU MAY ALSO REGISTER ONLINE AT**

**[www.precor.com/warranty](http://www.precor.com/warranty)**

If you have questions or need additional information, contact your local dealer or call Precor Commercial Products Customer Support at 888-665-4404.

Fold along dotted line and tape closed before mailing.

COMM.

Woodinville, WA 98072-4002

PO Box 7202

20031 142nd Avenue NE

Precor Incorporated



PLACE  
STAMP  
HERE

# TELL US ABOUT YOUR NEW PRECOR PRODUCTS

Date of Purchase:

Month Day Year

Purchased from (Dealer name):

\_\_\_\_\_

Product Serial Number(s):

\_\_\_\_\_

Please indicate the type and number of products purchased:

- #: \_\_\_\_\_ Elliptical Fitness CrossTrainer (EFX®)
- #: \_\_\_\_\_ Treadmill
- #: \_\_\_\_\_ Stair Climber
- #: \_\_\_\_\_ Cycle
- #: \_\_\_\_\_ Strength Station
- #: \_\_\_\_\_ StretchTrainer™

The serial number is located on the shipping box and on the product.

\_\_\_\_\_

Add additional sheets of paper or register online at [www.precor.com/warranty](http://www.precor.com/warranty)

## TELL US ABOUT YOUR FACILITY

Name of Facility

\_\_\_\_\_

- Mr.
- Mrs.
- Ms.

Contact Person — First Name

Last Name

Facility Address

Apt./Suite

City

State

Zip Code

Area Code Facility Telephone Number

Your Business Email Address

How many members do you have?

- Less than 100
- 100 – 500
- 500 – 1000
- 1000 – 2000
- 2001 +

What percentage of floor space do you allocate for cardio equipment?

- 0% to 20%
- 20% to 40%
- 40% to 60%
- 60% to 80%
- 80% to 100%

What type of equipment makes up your cardio offering (check all that apply)?

- Treadmills
- Ellipticals
- Cycles
- Stair Climbers
- Rowing Machines
- Other \_\_\_\_\_

What other brands of cardio equipment do you currently offer (check all that apply):

- Life Fitness
- True
- Cybex
- StarTrac
- Other \_\_\_\_\_

What other Precor equipment do you currently offer (check all that apply):

- EFX
- Cycle
- StretchTrainer™
- Treadmill
- Stair Climber
- Strength Machine
- Other \_\_\_\_\_

## TELL US ABOUT YOUR PURCHASE

Which best describes this purchase (check all that apply):

- First Precor product
- Replaces same type of product – different brand
- Replaces a Precor product of the same type
- Replaces same type of product – different brand
- Enhancement to equipment already owned

How did you FIRST become aware of this product (choose only one):

- Authorized Precor dealer
- Internet
- Trade/consumer magazine article
- Precor sales representative
- News report or product review
- Other \_\_\_\_\_
- Trade show/conference
- Club/fitness magazine advertisement

What factors MOST influenced your decision to purchase this product (choose up to three):

- Precor reputation
- Precor product experience
- Special product features
- Prior product experience
- Warranty
- Design/appearance
- Service
- Value for the price
- Rebate or sale price

Please detach and mail in the warranty registration within ten days of purchase.





Precor Incorporated  
20031 142nd Ave NE  
P.O. Box 7202  
Woodinville, WA USA 98072-4002  
1-800-347-4404

Precor, C, CrossRamp, EFX, M, Move Beyond, and SmartRate are registered trademarks of Precor Incorporated.  
Crosstrainer, QuickStart, and StretchTrainer are trademarks of Precor Incorporated.  
Copyright 2011 Precor Incorporated.  
Specifications subject to change without notice.  
[www.precor.com](http://www.precor.com)

**NOTICE:**

Precor is widely recognized for its innovative, award winning designs of exercise equipment. Precor aggressively seeks U.S. and foreign patents for both the mechanical construction and the visual aspects of its product design. Any party contemplating the use of Precor's product designs is hereby forewarned that Precor considers the unauthorized appropriation of its proprietary rights to be a very serious matter. Precor will vigorously pursue all unauthorized appropriation of its proprietary rights.



POM C-V 49336-301 rev C, en  
Warranty # 36286-114, en  
Registration Card# 45622-101, en  
30 December 2011



# User's Reference Manual

## 932i

## 954i

Commercial Treadmills



**PRECOR**<sup>®</sup><sub>USA</sub>  
move beyond<sup>®</sup>



# Important Safety Instructions

When using Precor equipment, always take basic precautions, including the following:

- Read all instructions before using the equipment. These instructions are written for your safety and to protect the equipment.
- Other sections in this manual provide more details of safety features. Be sure to read these sections and observe all safety notices.
- Take time to discuss proper safety and exercise equipment etiquette with the fitness facility manager.
- Before beginning any fitness program, see your physician for a complete physical examination.

*Il est conseillé de subir un examen médical complet avant d'entreprendre tout programme d'exercice. Si vous avez des étourdissements ou des faiblesses, arrêtez les exercices immédiatement.*

- Do not overexert yourself or work to exhaustion. If you feel any pain or abnormal symptoms, stop your workout immediately and consult your physician.
- Do not allow children or people unfamiliar with its operation on or near the equipment. Do not leave children unsupervised around the equipment.
- Wear proper exercise clothing and shoes for your workout and avoid loose clothing. Do not wear shoes with heels or leather soles. Check the soles of your shoes and remove any dirt and embedded stones. Tie long hair back.

- For safety, hold onto a stationary handrail or handlebar while using the equipment.
- Keep your body and head facing forward. Never attempt to turn around on the equipment.
- Do not rock the equipment. Do not stand on the handrail(s), display console, or hood.
- Use care when getting on or off the treadmill. Always grasp the handrail when stepping on the running belt and keep the initial speed at or below 1 mile per hour (mph) or 1 kilometer per hour (kph). Never step off the treadmill while the running belt is moving.
- Before the running belt begins moving (before your workout), and after it stops (at the end of your workout), straddle the running belt by placing your feet firmly on the right and left trim strips.
- The safety clip must be attached at waist level before your workout. A lanyard connects the safety clip to the red STOP button on the display console. If you encounter difficulties, a strong tug on the lanyard stops the running belt.

## **Safety Code**

The fitness facility you are using has the option to enable a safety code. The code involves entering four number keys in sequence. If the correct keys are not pressed within two minutes, further access is denied and the running belt will not move. For more information, refer to *Entering the Safety Code*.

## **Obtaining Service**

The fitness facility manager can help you with most questions regarding the equipment. For additional information about product operation or exercise routines, refer to the Precor web site at [www.precor.com](http://www.precor.com).

# Table of Contents

<b>Important Safety Instructions</b> .....	<b>1</b>
Safety Code.....	2
Obtaining Service .....	2
<b>Treadmill Safety Features</b> .....	<b>4</b>
Using the Safety Clip.....	4
Entering the Safety Code.....	5
Using the Stationary Handrails.....	5
Turning the Treadmill On and Off.....	5
<b>Heart Rate Features</b> .....	<b>6</b>
Important Use and Safety Information.....	6
Wearing a Chest Strap.....	8
Using the Touch-Sensitive Grips.....	9
Using SmartRate .....	9
Exercise to Your Target Heart Rate .....	10
Heart Rate Analysis .....	11
Troubleshooting Heart Rate.....	11
<b>Display Console</b> .....	<b>12</b>
More Information about the Upper Display .....	14
More Information about the Lower Display .....	15
Keypads.....	16

<b>Workout Options</b> .....	<b>21</b>
Choosing QUICKSTART .....	22
Selecting a Program.....	23
Storing Workout Statistics .....	24
Changing Programs in Mid-session .....	25
Cooling Down After a Workout .....	25
Pausing During a Workout or the Cool-Down Period.....	26
Ending a Workout.....	26
<b>Programs</b> .....	<b>28</b>
Choosing a Program .....	28
Program Tips.....	28
Manual Program .....	29
Interval Program .....	29
Random Program.....	30
Heart Rate Program .....	30
954i Aerobic Program .....	32
932i Weight Loss Program .....	32
Track Program .....	33
Fitness Test.....	33

# Treadmill Safety Features

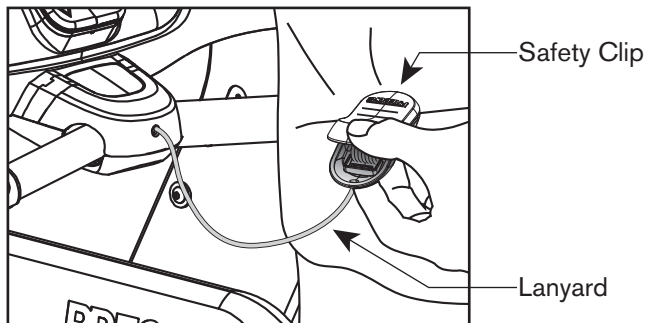
The treadmill is equipped with certain items that, when used properly, help sustain an enjoyable workout. These items include:

- Safety clip
- Safety code
- Handrails
- Power switch

**Important:** Before exercising, review the Important Safety Instructions found at the beginning of this manual.

## Using the Safety Clip

Attach the safety clip to your clothing before each workout. A tug on the lanyard trips the safety switch inside the display console and stops the running belt.



**Figure 1: Attaching the safety clip**

If the safety switch trips while you are exercising, the running belt stops and the treadmill assumes you are pausing your workout. To resume exercising, take the following steps:

1. Reattach the safety clip to your clothing.
2. Straddle the running belt.
3. Press QUICKSTART.

**Important:** Hold onto the handrail when you step onto the running belt and while you adjust the speed.

4. Enter the safety code (if necessary).

**Note:** The facility can set a limit on the amount of time you can pause during a workout. Check with the manager to find out about the pause time limit. If you exceed the time limit, the display returns to the Precor banner.

## Entering the Safety Code

The fitness facility has the option to require a safety code. If the safety code prompt appears, press the following number key sequence:

1,2,3,4.

An asterisk appears on the display with each key press. Hold onto the handrail and straddle the running belt. The running belt starts moving after a 3-second countdown.

**Note:** If the correct keys are not pressed within two minutes, the Precor banner appears on the display and the running belt does not move.

## Using the Stationary Handrails

To maintain your balance, always grasp a stationary handrail when you step on or off the equipment and when you use the keypads.

To learn more about the touch-sensitive grips, refer to *Heart Rate Features*.

## Turning the Treadmill On and Off

To turn the treadmill On and Off, use the power switch located beneath the hood, near the power cord receptacle. Refer to the following figure.

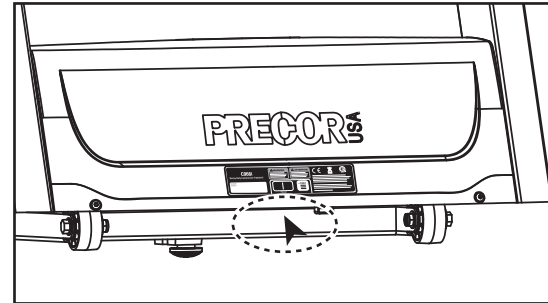
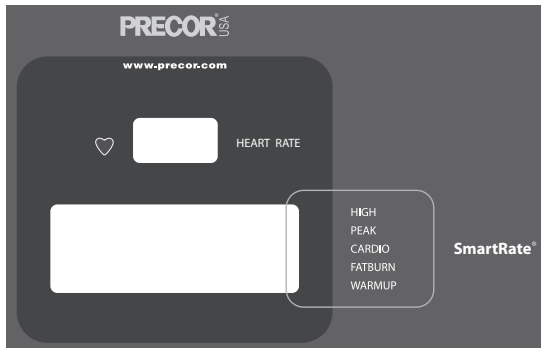


Figure 2: Power switch location

# Heart Rate Features



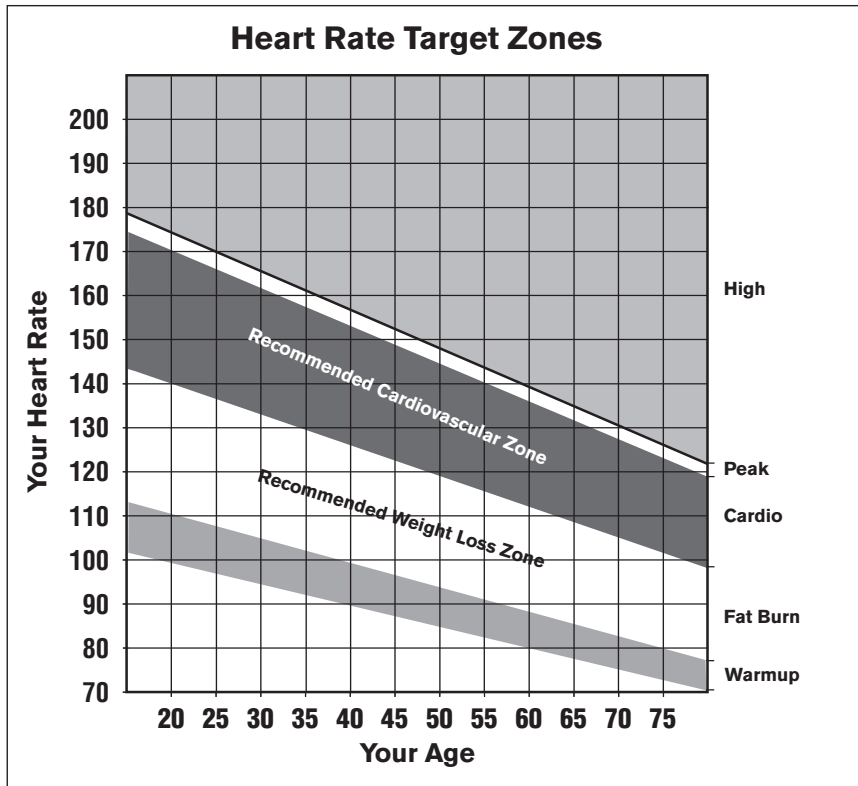
Heart rate and SmartRate® features are available when you wear the chest strap or grasp both touch-sensitive grips. When a heartbeat is detected, the HEART RATE display shows your heart rate and, if your age has been entered, the SmartRate LED blinks and indicates your target zone.

## Important Use and Safety Information

Read the following before using the heart rate or SmartRate features.

- Consult your physician before engaging in any vigorous exercise. Do not use the heart rate programs until authorized by your physician.
- Know your heart rate and your physician-recommended heart rate target zone. Individual heart rates vary according to several physiological factors and may not correspond directly with the following figure.
- Always face forward on the equipment and use the stationary handrail or handlebars for balance.





**Figure 3: Heart rate target zones**

- The calculation used for the heart rate target zone is:  
 $(220 \text{ minus your age})$  multiplied by a percent.  
 For example:  
 Warmup range:  $(220 \text{ minus your age})$  multiplied by 55%  
 Peak range:  $(220 \text{ minus your age})$  multiplied by 85%

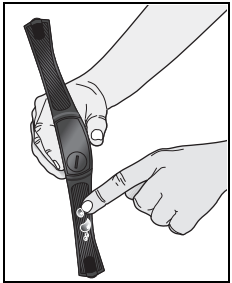
- After you put on the chest strap, face the display console for a minimum of 15 seconds. This allows the receiver in the console to recognize the signal from the chest strap.
- If **Hr** blinks in the HEART RATE display, it is detecting a signal, but has not yet determined your heart rate. Make sure the chest strap is positioned properly around your chest and against your skin.
- If you prefer to use the touch-sensitive grips, grasp both and wait five to ten seconds. Make sure both hands are moist (not dry).
- When a signal is detected, a number flashes in the HEART RATE display and indicates your heart rate.

# Wearing a Chest Strap

During a workout, the heart rate features appear on the display when you wear a chest strap. To receive an accurate reading, the chest strap needs to be in direct contact with your skin.

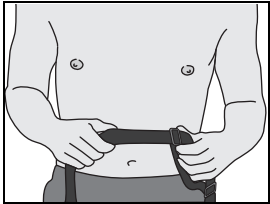
1. Carefully dampen the back of the strap with tap water. Refer to the following figure.

**Note:** Do not use deionized water. It does not have the proper minerals and salts to conduct electrical impulses.



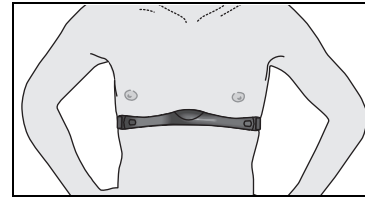
**Figure 4: Moisten chest strap**

2. Adjust the strap and fasten it around your chest. The strap should feel snug, not restrictive. Refer to the following figure.



**Figure 5: Adjust chest strap**

3. Make sure that the chest strap is right side up, lies horizontally across your chest, and is centered in the middle of your chest. Refer to the following figure.

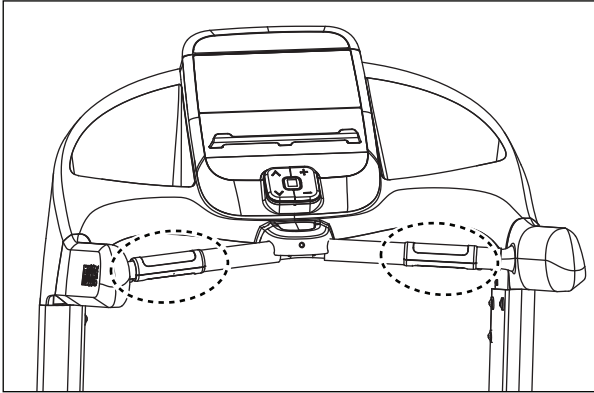


**Figure 6: Fasten chest strap**

After you put on the chest strap, face the display console for a few seconds. This allows the receiver in the console to recognize the signal from the chest strap.

## Using the Touch-Sensitive Grips

While exercising, you must grasp both touch-sensitive grips for a minimum of five to ten seconds to transmit your heart rate to the display. Refer to the following figure.



**Figure 7: Touch-sensitive grips**

Usually, the concentration of salts in a person's perspiration provides enough conductivity to transmit a signal to the receiver inside the display console. However, some people, because of body chemistry or erratic heart beats, cannot use the touch-sensitive grips. A chest strap may provide better results.

**Important:** *While exercising, do not wear a chest strap and grasp the touch-sensitive grips at the same time. Using both features may cause erratic heart rate readings.*

## Using SmartRate

The SmartRate feature helps you monitor and maintain your heart rate in the target zone best suited to your specific needs. When a heart rate signal is detected, a single LED blinks and indicates the zone that your heart rate is in.

**Important:** *To use the SmartRate feature, you must enter your age during program selection. Refer to Selecting a Program.*

The following table shows the percents used in calculating the heart rate target zones. While your heart rate remains within these zones, the corresponding light blinks and provides a visual cue.

**CAUTION:** **Your heart rate should never exceed 85% of your maximum aerobic heart rate or go above PEAK. If it does, immediately reduce the intensity of your workout to return your heart rate to your physician-recommended target zone.**

**Table 1. Heart rate target zones and SmartRate LEDs**

<b>Heart Rate Zone Percent</b>	<b>LED Lit</b>	<b>Target Zone Label</b>
Below 55	First	WARMUP
55 to 61	Second	FAT BURN
62 to 69	Third	FAT BURN
70 to 77	Fourth	CARDIO
78 to 84	Fifth	CARDIO
85 to 87	Sixth	PEAK
Above 87	Seventh	HIGH

The SmartRate indicator lights do not blink when:

- You do not wear or improperly position the chest strap. Or, you fail to grasp both touch-sensitive grips for five to ten seconds.
- You do not enter your age during an exercise session.

For example, pressing QUICKSTART at the Precor banner causes the Manual Program to begin. Your age has not been entered and is considered a null value. Your heart rate will appear in the HEART RATE display when you hold onto the touch-sensitive grips or wear a chest strap, but none of the SmartRate LEDs blink because the appropriate calculations have not been made.

**Note:** You can remedy this situation by choosing a program using one of the PROGRAMS keys and entering your time, weight, and age.

## Exercise to Your Target Heart Rate

A dedicated window displays your heart rate while you exercise. To view your heart rate (beats per minute) on the display, either wear a chest strap or grasp both touch-sensitive grips.

The Precor web site ([www.precor.com](http://www.precor.com)) has several suggestions for workouts with varying levels of intensity. It provides many workout details that include the appropriate target heart rate.

The equipment includes one or more heart rate programs that let you exercise based on a specified target heart rate. As you exercise, the programs monitor your heart rate and automatically maintain it within a few beats per minute of your selected target. To use these programs, press the PROGRAMS - HEART RATE key. For more information, refer to *Programs*.

## Heart Rate Analysis

Every time you complete a program using the chest strap or touch-sensitive grips, the display provides a heart rate analysis after the workout summary. Refer to *Ending a Workout*.

Your average heart rate appears followed by the maximum heart rate achieved during your workout. A third display appears, if you entered your age, and indicates the amount of time your heart rate remained between the target zones shown.

The heart rate analysis is based on how often your heart rate signal is received while exercising. If you use the chest strap, the average heart rate will be more accurate than if you occasionally grasp the touch-sensitive grips.

## Troubleshooting Heart Rate

The following table may help you understand and troubleshoot erratic heart rate readings.

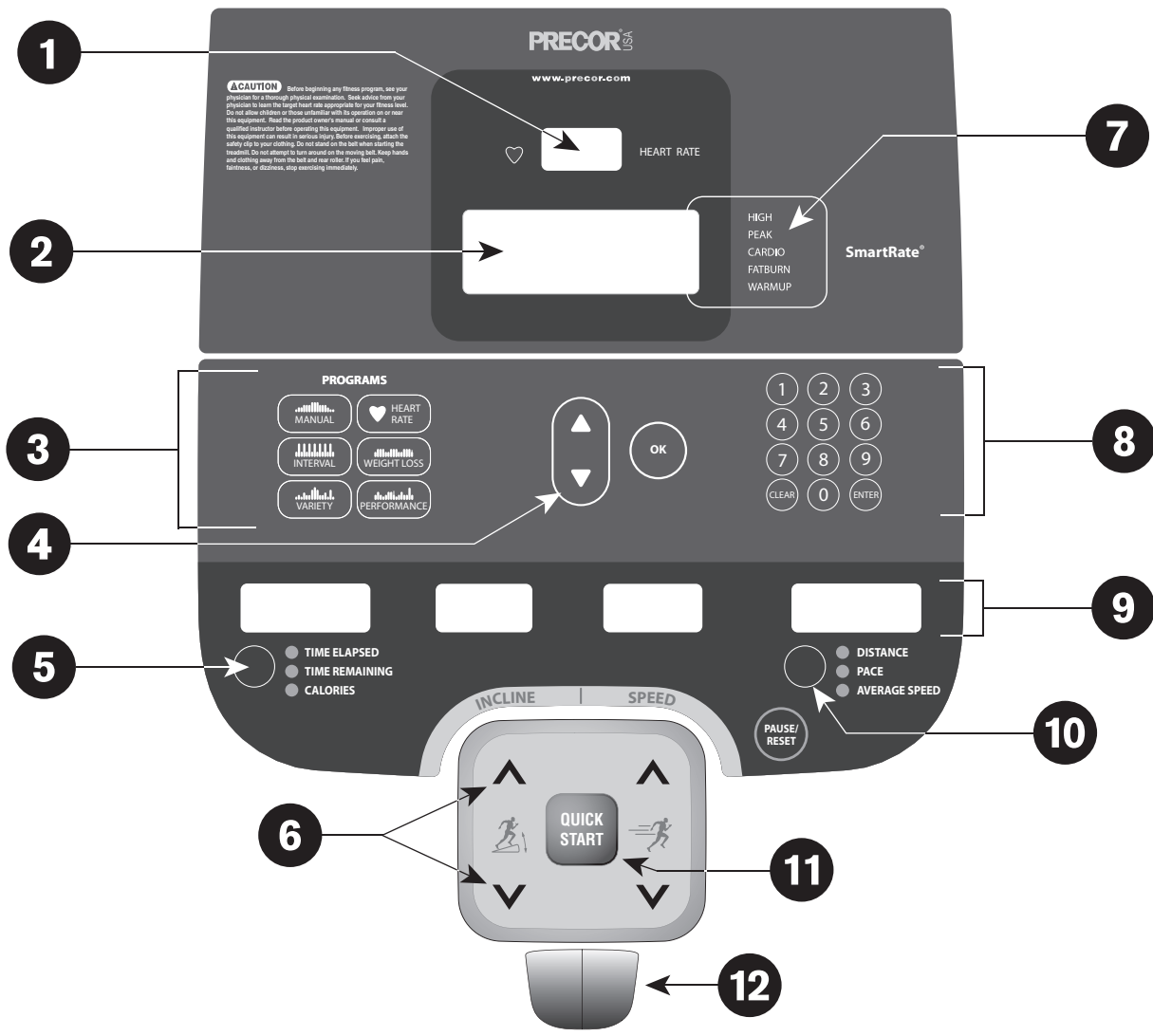
**Important:** A heart rate can only be detected when the Precor heart rate receiver is properly installed in the display. A user must wear the chest strap or grasp both touch-sensitive grips.

**Table 2. Erratic heart rate readings**

<b>What appears on the display</b>	<b>Cause</b>	<b>What to do</b>
Nothing	The heart rate receiver is not installed or it has been disconnected.	Call Customer Support. Refer to <i>Obtaining Service</i> .
HR or Hr	A signal is being detected through the chest strap or the touch-sensitive grips, but a valid heart rate is not yet established.	Be sure that the chest strap is moist, centered, and in direct contact with your skin. If you are using the touch-sensitive grips, continue to grasp both of them. Wait a few moments for your heart rate to appear.

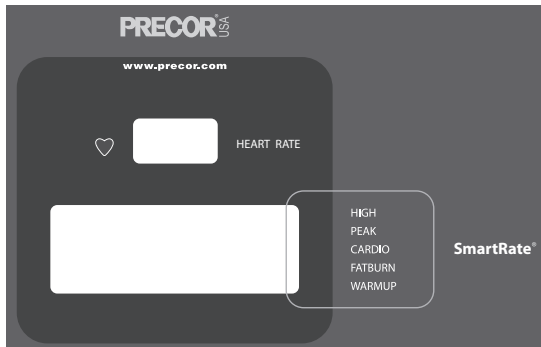
**Note:** To conduct electrical impulses from a user's heart, both touch-sensitive grips must be grasped firmly for five to ten seconds. Usually, the concentration of salts in a person's perspiration provides enough conductivity to transmit a signal to the receiver in the display console. However, because of body chemistry or erratic heartbeats, some people cannot use the touch-sensitive grips. A chest strap may provide better results.

# Display Console



- 1 HEART RATE display:** Your heart rate appears when you wear a chest strap or grasp both touch-sensitive grips. The heart rate indicator blinks in rhythm to your heart rate.
- 2 Upper display:** Initially shows the Precor banner. It changes to the program profile when you select a program or press QUICKSTART. A blinking column in the profile indicates your position.
- 3 PROGRAMS keypad:** To begin an exercise session, press the PROGRAMS keys to view a menu of programs within each category. For program descriptions, refer to *Programs*.
- 4 Navigational arrow keys:** These keys let you display exercise information prior to selecting it with the OK key.
- 5 Left selection key:** Press the key to select which item you wish to display during your session. Indicator lights appear next to the item that is displayed. You can perform the same function with the Right selection key.
- 6 INCLINE & SPEED keys:** Use these keys to adjust the incline or speed.
- 7 SmartRate display:** When you enter your age after selecting a program and wear a chest strap or grasp both touch-sensitive grips, one LED blinks and indicates the zone that you are exercising in.
- 8 Number keys:** During an exercise session, use the number keys to answer prompts or update information. If the entertainment option is attached, the number keys act as TV channel controls.
- 9 Lower display:** While you exercise, four sets of numbers show information about your session.
- 10 Right selection key**
- 11 QUICKSTART:** Press QUICKSTART to begin your workout immediately.
- 12 Red STOP button:** Press to pause or end a workout.

## More Information about the Upper Display



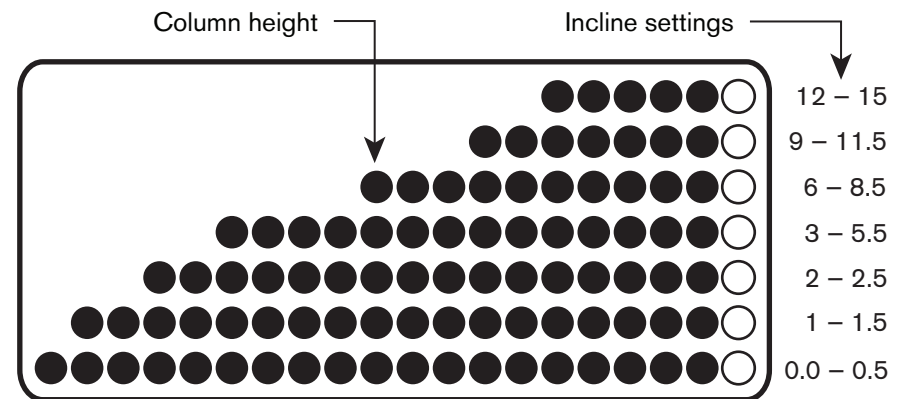
The upper display includes the HEART RATE, SmartRate, and a program profile display. The following descriptions explain what appears in the displays.

**HEART RATE**—displays your heart rate when you wear a chest strap or grasp both touch-sensitive grips. Refer to *Heart Rate Features*.

**SmartRate**—displays your heart rate as a blinking segment which indicates the zone your heart rate is in when you enter your age after choosing a program and hold on to the touch-sensitive grips or use a chest strap. Use this display as a visual aid to keep your heart rate in your preferred zone. Refer to *Using SmartRate*.

**Program profile**—appears during your exercise session. A blinking segment in the profile indicates your position. In most programs, the INCLINE setting affects the column height as shown in the following diagram. The profile raises or lowers according to which INCLINE key is pressed.

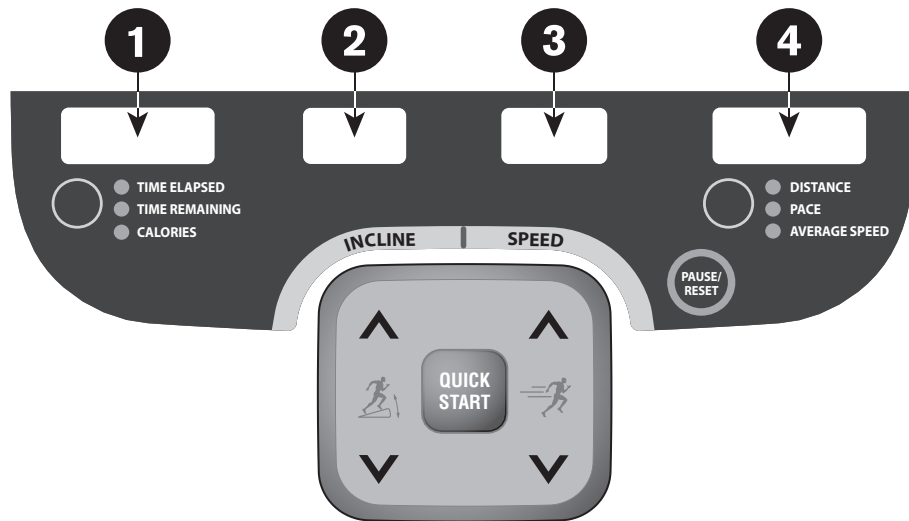
During an exercise session, the display becomes a message bar showing additional information depending on user selections and program interludes.



**Figure 8: Column height in the program profile**



## More Information about the Lower Display



The lower display provides information about your workout session. Pressing the keys beneath each window affects what appears in the displays. Each display provides information about your workout statistics and is described in the list below.

**Note :** If you choose to rest a book or magazine on the display, you can still view these workout statistics.

### 1 TIME ELAPSED, TIME REMAINING, and CALORIES

**TIME ELAPSED**—displays time in minutes and seconds and indicates the amount of time you have been exercising. When you exceed 60 minutes during a single session, the display converts to hours and minutes.

**Note :** The fitness facility can place limits on workout time.

**TIME REMAINING**—shows the amount of time remaining in a workout. If the selected time is less than 60 minutes, the display shows time in minutes and seconds. If you select a time greater than 60 minutes, the display reflects hours and minutes until the countdown reaches 60 minutes, at which time the display reverts to minutes and seconds.

**Note :** If you select a **NO LIMIT** time goal, the **TIME REMAINING** display appears blank. Press the left selection key if you wish to display elapsed time.

**CALORIES**—indicates the estimated cumulative number of calories being burned.

### 2 INCLINE

**INCLINE**—displays the percentage of incline during your workout. The **INCLINE** keys affect the lift and let you set an incline between 0% and 15%. The values displayed can change in 0.5% increments.

### 3 SPEED

**SPEED**—displays the running belt speed in miles per hour (mph) or kilometers per hour (kph). The running belt speed ranges between 0.5 and 12 mph (0.8 to 20 kph). The speed can be changed in 0.1 increments using the SPEED keys.

**Note :** You can press the SPEED down key to stop the running belt. When 0 appears in the SPEED display, the running belt stops.

### 4 DISTANCE, PACE, and AVERAGE SPEED

**DISTANCE**—shows linear distance in either miles or kilometers. The distance is calculated based on your speed.

**PACE**—displays your target speed in minutes and seconds per mile (or kilometer). For example, the number 4 :23 indicates that your pace (speed at which you are moving) is 4 minutes and 23 seconds per mile.

**AVERAGE SPEED**—indicates the average speed associated with your workout.

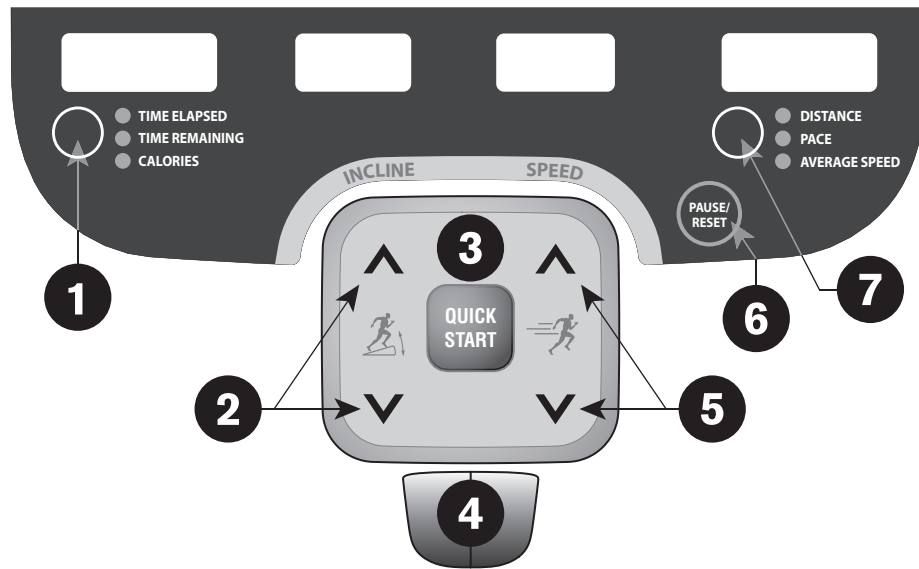
## Keypads

Use the keypads to enter your exercise session selections and display preferences.

Distinct keypads exist on the display and are discussed in this section :

- Lower Display keypad and the selection keys
- Navigational keypad in the center of the display
- PROGRAMS keypad
- Number keypad with the ENTER and CLEAR keys

## Lower Display Keypad and the Selection Keys

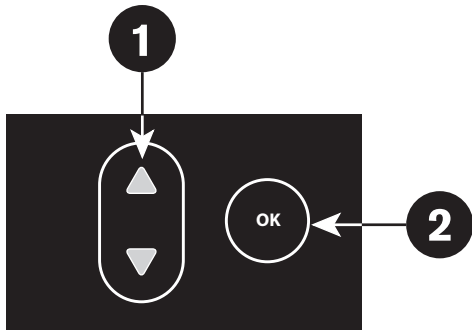


**Figure 9 : Lower Display keypad and the Selection keys**

- 1 Left selection key :** Every time you press this key, the display reflects the amount of time elapsed since you began your exercise session, your time remaining, or your estimated number of calories burned. An LED lights and indicates which information is being displayed.
- 2 INCLINE :** Press and hold an INCLINE key to increase or decrease the incline from 0% to 15% in 0.5% increments.  
  
Changes to the incline are not immediate. It takes time for the lift to reach the target incline shown on the display.
- 3 QUICKSTART:** Press QUICKSTART to start your exercise session immediately using the Manual Program. Refer to *Choosing QUICKSTART*.

- 4 STOP:** A firm tap on the red STOP button slows the running belt to a stop and the treadmill enters pause mode. To resume, press QUICKSTART and enter the safety code, if necessary. Refer to *Pausing During a Workout or the Cool-Down Period*.
- 5 SPEED:** Press and hold a SPEED key to increase or decrease the running belt speed in 0.1 increments.  
  
When you press a SPEED key, a target speed appears in the display. The running belt speed changes to meet the target, but the change occurs gradually so the transition is smooth.
- 6 PAUSE/RESET:** This key has several functions during an exercise session. Press it once to enter pause mode. Press it again to display a workout summary. Press it a third time to end your session and return to the Precor banner. Refer to *Pausing During a Workout or the Cool-Down Period*.
- 7 Right selection key:** Every time you press this key, the display reflects the distance traveled since you began your exercise session, your current pace, or your average speed. An LED lights and indicates which information is being displayed.

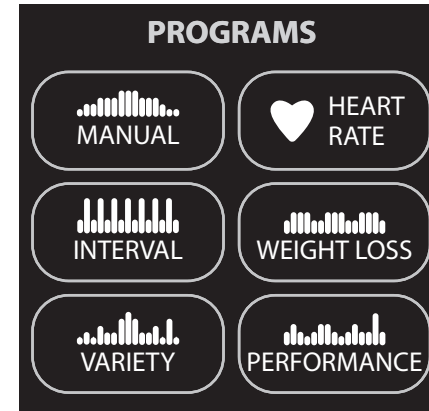
## Navigational Keypad



The navigational keypad provides several ways to change your exercise session and to display various workout statistics. The OK key, which allows you to confirm display selections, is also part of the navigational keypad.

- 1 Up and Down Arrows:** These keys present the available selections and affect what appears on the display. Throughout this manual they are referred to as the navigational arrow keys.
- 2 OK:** Use the OK key to confirm responses to specific prompts.

## PROGRAMS Keypad



The PROGRAMS keypad provides access to all the exercise programs. Press the center of the key to view the top level program in its menu. Pressing the key again displays the next program in the menu, if one is available, as shown in the following table. For a description of each program, refer to *Programs*.

**Note:** Use the OK key to confirm your selection. For more information, refer to *Workout Options*.

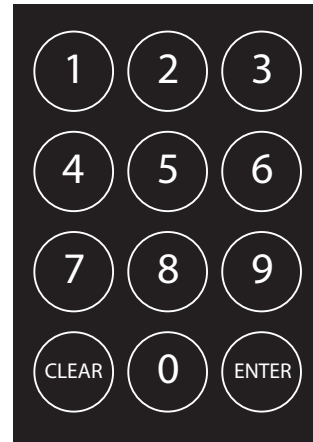
**Table 3. Available programs**

<b>PROGRAMS key</b>	<b>Program Menu</b>
MANUAL	MANUAL
INTERVAL	INTERVAL
VARIETY	RANDOM
HEART RATE	BASIC HRC*
WEIGHT LOSS	WEIGHT LOSS
PERFORMANCE	TRACK
	FITNESS TEST †

\* Use of chest strap or the touch-sensitive grips is required.

† The fitness facility can change which programs appear in the PERFORMANCE menu. If the Fitness Test appears, the Track Program is unavailable and vice versa.

## Number Keypad



The number keypad has several functions depending on what is connected to the equipment.

<b>Connection</b>	<b>Description</b>
Computer (CSAFE compatible)	If a computer is attached to the CSAFE connection on the equipment, the number keypad lets you enter your user ID and answer other setup prompts.
Entertainment Option	If an entertainment option is connected to the display, the number keypad acts as a remote control which you use to select the available channels. You can also enter number values in answer to exercise session prompts.
Nothing	Whether or not peripheral devices are attached to the equipment, the keypad lets you enter number values in answer to exercise session prompts. You need to press ENTER or OK to confirm the selection.

The CLEAR and ENTER keys provide the following functions:

**CLEAR:** Use the CLEAR key to remove the last number being displayed.

**ENTER:** Use the ENTER key to accept the number being displayed.

**Note:** The OK and ENTER keys are usually interchangeable and provide the same function when no peripheral devices are attached to the equipment. However, when answering prompts that originate from a CSAFE device or computer connection, use the ENTER key.

# Workout Options

**CAUTION:** Before beginning any fitness program, see your physician for a complete physical examination. Know your physician-recommended heart rate target zone.

1. Turn the treadmill On. The Precor banner scrolls across the display.
2. Hold on to a handrail while stepping on to the treadmill.
3. Face the display and then straddle the running belt by placing your feet on the trim strips provided.
4. Attach the safety clip to your clothing.
5. Grip a handrail with one hand to steady yourself.

6. Select one of the following options:

<b>Option...</b>	<b>Steps...</b>
To start exercising immediately	<ul style="list-style-type: none"><li>• Use the QUICKSTART key.</li><li>• Refer to <i>Choosing QUICKSTART</i>.</li></ul>
To select a program	<ul style="list-style-type: none"><li>• Press a PROGRAMS key.</li><li>• Refer to <i>Selecting a Program</i>.</li></ul>
To enter a user ID	<ul style="list-style-type: none"><li>• Use the ENTER key.</li><li>• Refer to <i>Storing Workout Statistics</i>.</li></ul>

**Important:** If the safety code is enabled, you will need to enter a code to begin your workout. At the safety code prompt, press the following number key sequence: 1, 2, 3, 4. If you make a mistake, press any key a few times to reset to the safety code prompt, or wait two minutes for the banner to return.

**Note:** The QUICKSTART key is disabled when you press a PROGRAMS key. You need to confirm each exercise session selection (program, time, weight, and age) using the OK key.

## Choosing QUICKSTART



1. While the Precor banner scrolls, press QUICKSTART to begin the Manual Program.

QUICKSTART applies the following defaults:

<b>Prompts</b>	<b>Default Value</b>
Program	Manual
Time	Fitness Facility setting
Weight	150 lb (68 kg)
Age	0

2. If needed, enter the safety code by pressing: 1, 2, 3, 4.  
An asterisk appears on the display with each entry.

3. Hold onto a handrail and straddle the running belt.

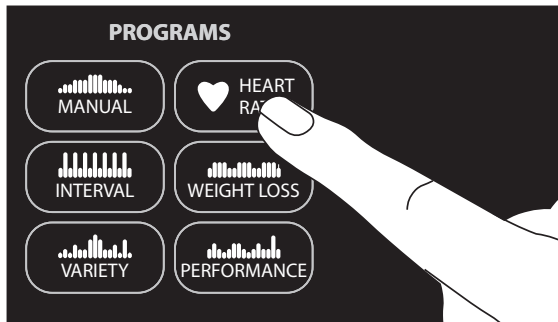
A 3-second countdown appears on the display, and then the running belt starts moving.

4. Step on to the running belt with the speed at or below 1 mph or 1 kph and begin your workout. Use the SPEED up key to increase the speed of the running belt.

**Note:** To use the SmartRate feature, you need to specify your age and wear a chest strap or grasp both touch-sensitive grips. In this case, press MANUAL, and then press OK. Follow the prompts to enter your weight and age. You can use the navigational arrow keys or the number keypad to change the blinking prompts. Press OK to confirm the entries. Refer to *Selecting a Program*.



## Selecting a Program



1. While the Precor banner scrolls, press one of the PROGRAMS keys, and then press OK. For a description of each program, refer to *Programs*.

2. If needed, enter the safety code by pressing: 1, 2, 3, 4.

An asterisk appears on the display with each entry.

3. A workout time blinks in the display. Use the navigational arrow keys or the number keys to adjust the minutes (1–240) and then press OK. (Or, press CLEAR to return to the default time limit.)

**Note:** The fitness facility can set limits for workout, pause, and cool-down times. So, selecting an unlimited workout time may not be allowed. Check with your fitness facility manager.

To access the **NO LIMIT** option at the time prompt, use the number keypad and type in 240, then press the up arrow key. When **NO LIMIT** appears, press OK.

If you choose this option, the automatic cool-down period is eliminated. You will need to incorporate a cool-down period by accessing the Manual Program.

4. Enter your weight (1–999) and then your age (1–99).

**Note:** To change a value (program, time, weight, or age) that you have already entered press PAUSE/RESET to return to the Precor banner. Select a program and re-enter the appropriate values.

5. Hold onto a handrail and straddle the running belt after entering your age.

A 3-second countdown appears on the display, and then the running belt starts moving.

6. Step on to the running belt with the speed at or below 1 mph or 1 kph and begin your workout. Use the SPEED keys to adjust the speed of the running belt.

**Note:** To use the SmartRate feature, you need to specify your age and wear a chest strap or grasp both touch-sensitive grips. In this case, press MANUAL, and then press OK. Follow the prompts to enter your weight and age. You can use the navigational arrow keys or the number keypad to address the blinking prompts.

## Storing Workout Statistics

Many fitness facilities connect Precor equipment to a computer so you can easily retrieve your workout statistics and determine how well you are meeting your fitness goals. If you are interested in maintaining workout statistic information, ask the manager to create a user account and a user ID for you. A user ID entry is required to store your statistics.

**Note:** If the display is blank, make sure that the equipment is turned On. If the Precor banner appears, the equipment is not connected to a computer. Refer to *Selecting a Program* or *Choosing QUICKSTART*.

If the equipment is connected to a computer, the following appears:

**CHOOSE QUICKSTART, ENTER, OR A PROGRAM TO BEGIN**

To save the statistics generated during your exercise session, take the following steps:

1. Press ENTER.
2. Use the number keypad to specify your 5-digit user ID. If you make a mistake, press the CLEAR key and reenter the correct number.

3. When your user ID is shown, press ENTER.

A message appears and indicates when the user ID is accepted by the computer.

4. To begin your exercise session, select a program. Refer to *Selecting a Program*.

**Note:** To bypass the user ID entry, press ENTER while all five zeros appear in the user ID field. The statistics generated during your exercise session will not be added to your file.

## Changing Programs in Mid-session

You can change programs in the middle of a session by selecting a new program from the PROGRAMS key menu and pressing OK. All accumulated statistics are transferred to the new program as you continue exercising.

Certain programs, such as Basic HRC and Fitness Test, are not available for mid-session transfers due to set goals and program preferences. If this occurs, a message scrolls across the center display.

**Note:** You cannot select a different program if you are in the cool-down period. Refer to *Pausing During a Workout or the Cool-Down Period*.

## Cooling Down After a Workout

Incorporate a cool-down period into your workout to help lower your heart rate and minimize muscle stiffness or soreness.

When you complete a program with a time limit or specified goal, you automatically enter a cool-down period. The settings change to help reduce the intensity of your workout.

**Note:** You cannot switch to a different program during the cool-down period. Any pressure on the PROGRAMS keys is ignored.

A workout summary appears at the end of the cool-down period. Refer to *Ending a Workout*.

A cool-down period will not be appended to your exercise session if the following occurs:

- The fitness facility allows an unlimited time goal. A user must enter a time goal of **NO LIMIT** to access this option. Refer to *Selecting a Program*.
- The fitness facility sets a cool-down time of zero, which eliminates the cool-down phase.
- You exit a program before completing it.

If you specify an unlimited time or the fitness facility removed the cool-down phase, remember to incorporate a cool-down period at the end of your exercise session.

## Pausing During a Workout or the Cool-Down Period

Press the red STOP button or the PAUSE/RESET key to pause anytime during a workout or during a cool-down period. The pause mode is limited to two minutes or less. If you do not resume exercising during that time, the display returns to the banner.

1. To pause, press the red STOP button or the PAUSE/RESET key.
2. To resume exercising from pause mode, press QUICKSTART or the SPEED up key.

**Important:** Hold onto the handrail when you step onto the running belt and while you adjust the speed.

3. If needed, enter the password by pressing: 1, 2, 3, 4.

An asterisk appears on the display with each entry.

**Note:** In pause mode, you have the ability to change your program selection. Refer to *Changing Programs in Mid-session*.

## Ending a Workout

**CAUTION:** Hold on to a handrail when you near the end of your exercise session. The incline automatically recalibrates to a default grade. If the lift is moving, wait until it stops before stepping off the treadmill.

The running belt stops when you complete the automatic cool-down period. After the running belt stops, time stops accruing.

The workout summary appears and shows your cumulative workout statistics including warm-up and cool-down periods. You can review your statistics for two minutes before the display automatically resets to the Precor banner.

If you hold onto the touch-sensitive grips or wear a chest strap while exercising, a heart rate analysis appears during the workout summary. Refer to *Heart Rate Analysis*.

If you choose to exercise with no set time limit, you must manually end a program by pressing the red STOP button or the PAUSE/RESET key. You can also press the SPEED down key until the speed is reduced to zero and the running belt stops.

To stop the running belt or end a workout session, do the following:

1. Grasp a handrail with one hand.
2. Press the red STOP button or the PAUSE/RESET key with your other hand. The treadmill enters pause mode.
3. Press PAUSE/RESET to view the workout summary.

While **WORKOUT SUMMARY** scrolls across the display, press the selection keys to highlight more statistics.

4. Press PAUSE/RESET again to return to the Precor banner.

**Note:** The red STOP button and the PAUSE/RESET key can be used interchangeably.

# Programs

This section describes the programs available on the equipment. Use this section as a reference tool to better understand each program's purpose.

## Choosing a Program

Choosing a program depends on your goals. If you are a beginner or returning to regular exercise, you can start a cardio-conditioning program to slowly return your body to a comfortable level of exercise. If you have been exercising and feel that you have an intermediate or advanced fitness level, you probably have established goals. The Precor web site ([www.precor.com](http://www.precor.com)) can give you many ideas about fitness routines and advice from the experts.

Several of the exercise choices on the equipment are preprogrammed with recommended settings. However, you have the option to override the suggested settings, with some exceptions. If changes are not allowed, a message scrolls across the display explaining your options.

If your level of exertion becomes too great, reduce your level of intensity by overriding each upcoming segment in the program profile. When you complete a program that contains a time limit or goal period, an automatic cool-down period begins.

## Program Tips

- Begin at the Precor banner and choose a program by pressing PROGRAMS or QUICKSTART. Hold onto a handrail as the running belt begins moving after a 3-second countdown. Refer to *Workout Options*.
- A blinking column indicates your position as you progress through a program.
- To use the SmartRate feature, you need to specify your age and wear a chest strap or hold on to the touch-sensitive grips.
- In some programs, an unlimited time setting may be an available option. Refer to *Selecting a Program*.
- The fitness facility can set limits on time, incline, and speed. Check with your manager to learn if any limits are in place that might affect your program selections.
- To pause during a program, press PAUSE/RESET. Refer to *Pausing During a Workout or the Cool-Down Period*.



## Manual Program

The Manual Program profile, available by pressing the MANUAL key, begins as a flat line. You control incline and speed using the INCLINE or SPEED keys. The program profile reflects any changes. The blinking column indicates your position in the program.

A cool-down period occurs automatically when you end your workout. An exception to the cool-down period exists if the fitness facility allows it. Refer to *Cooling Down After a Workout* for more information.

**Note:** To use the SmartRate feature, you need to specify your age by accessing the Manual Program through the PROGRAMS key and answering the age prompt. If you use QUICKSTART to access the Manual Program, your age has a zero or null value so the SmartRate feature is not available.



## Interval Program

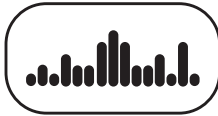
The Interval Program, available by pressing the INTERVAL key, helps in conditioning your cardiovascular system. The program raises and lowers your level of exertion repeatedly for the specified period of time. The program lets you choose the rest and work intervals according to your training regimen.

While exercising, you can vary the speed and change the preset incline using the INCLINE or SPEED keys. The settings are repeated throughout the remainder of the program.

Initially, the rest interval is set to 0% grade and 1 mph or 1 kph. The work interval is set at a 3% grade and the speed remains at 1 mph or 1 kph.

**Note:** Incline changes are limited to +/- 5% grade variance from the previous incline level.

The display lets you know when the speed or incline levels are about to change and indicates the levels of the next interval.



## Random Program

The Random Program can be accessed by pressing the VARIETY key. Every time the Random program is selected, a different program profile appears. The columns that appear in the program profile show the preprogrammed incline. You can override the preprogrammed incline at any time using the INCLINE keys.

The running belt speed is completely under your control. You can adjust the pace by pressing the SPEED keys.



## Heart Rate Program

The Basic HRC Program, available by pressing the HEART RATE key, lets you set a target for your heart rate. The program adjusts the incline to maintain your heart rate within two beats per minute of the target heart rate while you exercise. To use this program, you must enter your age and wear a chest strap so your heart rate can be monitored throughout the session.

***Important:*** Consult your physician to determine the appropriate target heart rate for your age and fitness level. If your physician recommends a different target heart rate than the one that appears on the display, use the navigational arrow keys to change the target heart rate once you finish the warm-up period. Do not exercise over the recommended range.



## Heart Rate Program Tips

The Basic HRC program enhances your overall cardiovascular fitness levels to help you achieve your weight loss and fitness goals. Read through the following tips before selecting the Basic HRC program. These tips provide general information regarding how the program functions. For more information and exercise suggestions, refer to the Precor web site at [www.precor.com](http://www.precor.com).

- The program provides a 3-minute warm-up period. During this time, you may change the incline or speed.  
**Note:** When your target heart rate is achieved or the 3-minute period elapses, the warm-up period ends and the program begins.
- The program automatically adjusts the incline to keep your heart rate at the selected target. After the warm-up period, pressing the INCLINE keys no longer affects the incline motor. Check the SmartRate display to see if you are maintaining your preferred zone. Check the HEART RATE display to determine your actual heart rate. For information about understanding your target heart rate, refer to *Heart Rate Features*.

- You can press the SPEED keys to adjust the speed and press the navigational arrow keys to change the target heart rate during your exercise session. The display lets you know when changes to either are about to occur.

**Note:** Changing the target heart rate or speed affects the treadmill's ability to maintain your target heart rate in the preferred zone. It takes time for the treadmill to readjust the incline so that your heart rate remains on target.

- If you wish to quit a heart rate program, you can make a mid-session transfer to another program. If you try to return or transfer mid-session to a heart rate program, messages scroll across the display stating your options.
- A cool-down period is automatically added to the end of each program.

If you are having difficulty with the heart rate features, talk to your fitness facility manager.



## 954i Aerobic Program

The Aerobic Program, available by pressing the WEIGHT LOSS key, provides varying incline levels to induce fat burn and weight loss conditioning.

For the ideal weight loss range, your heart rate should remain between 55% and 70% of your maximum aerobic heart rate. If you wear a chest strap or grasp both touch-sensitive grips, you can use SmartRate as a visual cue.

You can override the incline settings for each column by pressing the INCLINE keys. The changes raise or lower the columns on the remaining portion of the program profile. You can adjust the pace by pressing the SPEED keys.

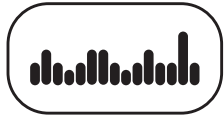


## 932i Weight Loss Program

The Weight Loss Program, available by pressing the WEIGHT LOSS key, is similar to the Interval Program in that it provides intervals at set inclines to induce weight loss conditioning.

For the ideal weight loss range, your heart rate should remain between 55% and 70% of your maximum aerobic heart rate. If you wear a chest strap or grasp both touch-sensitive grips, you can use SmartRate as a visual cue.

You can override the incline settings for each column by pressing the INCLINE keys. The changes raise or lower the columns on the remaining portion of the program profile. You can adjust the pace by pressing the SPEED keys.



## Track Program

The Track Program can be accessed by pressing the PERFORMANCE key. An oval track appears on the display. One lap around the track represents 440 yards (400 meters). A blinking LED moves counterclockwise and indicates your position on the track. You control incline and speed.



## Fitness Test

The Fitness Test, available by pressing the PERFORMANCE key, provides a means of comparing your fitness level with the official fitness test of the International Association of Firefighters (IAFF). It is written using the Gerkin Protocol, which is the basis for the official IAFF fitness test and part of their Wellness and Fitness Initiative.

During the test, the treadmill gradually increases the incline and speed in specific stages. The keypads are disabled. Whatever stage you are at when the test ends determines your aerobic capacity and establishes your  $VO_2$  max. Once you complete the test, a fitness score appears as part of the workout summary. Use it to compare to IAFF standards.

**Note:** The fitness facility has the option to remove the Fitness Test from the PERFORMANCE key menu and replace it with the Track Program. If you do not see the Fitness Test as part of the program selections, ask the facility manager.

## Fitness Test Tips

Read through the following tips before selecting a fitness test.

- Sit and rest for at least five minutes prior to taking the test.
- You must wear the chest strap throughout the Fitness Test. If the heart rate reception is erratic, incorrect readings can occur and terminate the test.
- You must enter your age, and in some cases, your gender and the altitude to begin a fitness test.
- The test provides a 3-minute warm-up period. During this time, you may change the incline or speed. When your target heart rate is achieved or the 3-minute period elapses, the warm-up period ends and the test begins.

**Important:** *If you need to stop the running belt to regain control or reduce your heart rate, please do so. You can retake the fitness test later. Complete the cool-down period and retake the fitness test later.*

- All keypads, except the red STOP button and the PAUSE/RESET key are disabled.

- If you press the red STOP button or the PAUSE/RESET key during the test, the test ends and the display indicates the test was not completed.
- You cannot change to another program while in the midst of taking the fitness test.
- The test ends if no heart rate is detected for 15 seconds, you surpass your target heart rate (85% of your maximum aerobic heart rate), or you complete the 13-minute time limit.
- A cool-down period is appended to the end of the test.

## Fitness Test Scores

When you finish a fitness test, a fitness score appears on the display as part of the workout summary. Check with the facility manager to compare your score with the appropriate fitness indexes. The test results can help you gauge the effectiveness of your current exercise routine and tailor it to meet your fitness goals.

*Notes:*

*Notes:*



## 954i/932i Commercial Treadmill

### Product Specifications

	954i	932i
Length	88 in (224 cm)	79 in (204 cm)
Width	35 in (89 cm)	34 in (86 cm)
Height	64 in (163 cm)	59 in (150 cm)
Weight	508 lb (231 kg)	331 lb (150 kg)
Shipping weight	549 lb (249 kg)	346 lb (157 kg)
Running surface	60 in x 20 in (153 cm x 51 cm)	56 in x 22 in (142 cm x 56 cm)
Motor	4.0 hp Peak duty	4.0 hp Peak duty
Power	120/240 VAC 50/60Hz	120/240 VAC 50/60Hz
Speed	0.5–12 mph (0.8–20 kph)	0.5–12 mph (0.8–20 kph)
Incline	0–15% grade	0–15% grade
Frame	Powder-coated steel	Powder-coated steel
Regulatory Approvals	FCC, ETL, CE, EN957	FCC, ETL, CE, EN957

### Product Features

	954i	932i
CSAFE	✓	
Entertainment Option Available	✓	✓
Heart Rate Telemetry*	✓	✓
QuickStart™	✓	✓
SmartRate®	✓	✓
Touch Heart Rate*	✓	✓
Safety Code	✓	✓

### Programs

	954i	932i
Manual	✓	✓
Interval	✓	✓
Variety		
Random	✓	✓
Heart Rate		
Basic HRC*	✓	✓
Weight Loss		
Aerobic	✓	
Weight Loss		✓
Performance		
Track	✓	✓
Gerkin Fitness Test*	✓	✓

### Electronic Readouts

% Complete
Average Heart Rate*
Average Speed
Calories
Distance
Heart Rate*
Heart Rate Analysis*
Incline
Language
Maximum Heart Rate*
Pace
Profile
SmartRate*
Speed
Target Heart Rate
Time
Time Elapsed
Time in Heart Rate Zone*
Time Remaining
Units
Workout Summary

\* Use of a chest strap or the touch-sensitive grips is required.

Precor, C, CrossRamp, EFX, M, Move Beyond, and SmartRate are registered trademarks of Precor Incorporated.

Crosstrainer, Crosstraining, QuickStart, and StretchTrainer are trademarks of Precor Incorporated.

Copyright 2008 Precor Incorporated.

Specifications subject to change without notice.

[www.precor.com](http://www.precor.com)

#### NOTICE:

Precor is widely recognized for its innovative, award winning designs of exercise equipment. Precor aggressively seeks U.S. and foreign patents for both the mechanical construction and the visual aspects of its product design. Any party contemplating the use of Precor's product designs is hereby forewarned that Precor considers the unauthorized appropriation of its proprietary rights to be a very serious matter. Precor will vigorously pursue all unauthorized appropriation of its proprietary rights.

**PRECOR**<sup>USA</sup>  
move beyond®

Precor Incorporated  
20031 142nd Ave NE  
P.O. Box 7202  
Woodinville, WA USA 98072-4002



954i/932i URM 49334-104, en  
03 March 2008



# Assembly Guide



946i

**PRECOR**<sup>®</sup> USA  
move beyond<sup>®</sup>

**932i**  
**946i**

Commercial Treadmills



Thank you for choosing Precor. For proper installation, please read this guide thoroughly and follow the assembly instructions. If you do not assemble the treadmill according to these guidelines, you could void the Precor Limited Warranty.

## Obtaining Service

You should not attempt to service the treadmill except for maintenance tasks as described in the *Product Owner's Manual*. If any items are missing, contact your dealer. Should you need more information regarding customer support numbers or a list of Precor authorized service centers, visit the Precor web site at [www.precor.com/corp/contact](http://www.precor.com/corp/contact).

## Unpacking the Equipment

The unit is shipped in two boxes. Ask for help from two or more people to unpack and assemble the treadmill.

## Required Tools

- Crescent wrench
- Wire tie cutter

## Cardio Theater PVS Assembly Instructions

If the Cardio Theater Personal Viewing System (PVS) accompanies this Precor unit, review the PVS assembly instructions found in the Cardio Theater box. Alleviate additional assembly or disassembly steps by combining the two assemblies as needed.

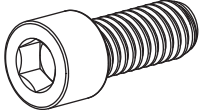
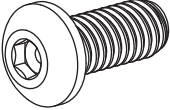
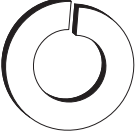
## Installation Requirements

Follow these installation requirements when assembling the unit:

- **Assemble the unit near the location where you plan to use it.**
- **Provide ample space around the unit.**  
The minimum space requirement needed for user safety and proper maintenance is three feet wide by six feet deep (one meter wide by two meters deep), directly behind the running belt.
- **Set up the unit on a solid, flat surface.**  
A smooth, flat surface under the unit helps keep it level. A level unit has fewer malfunctions.
- **Open the box and assemble the components in the sequence presented in this guide.**
- **Insert all fasteners with your fingers.**  
Use your fingers to properly align and thread the fasteners. This helps alleviate cross-threading. Do not fully wrench tighten fasteners until instructed to do so.

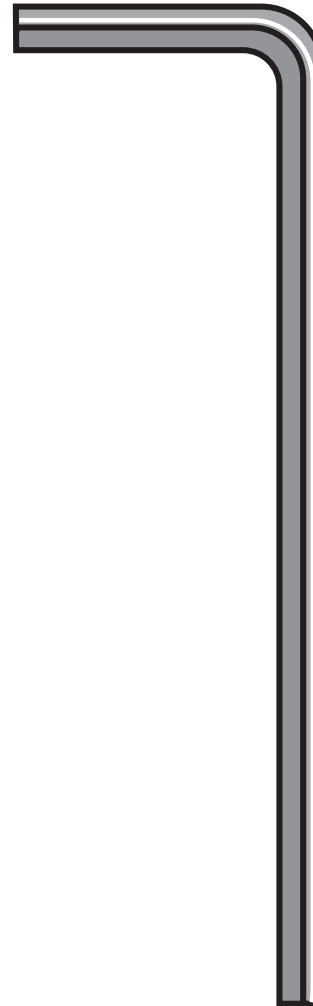
**Important:** When wrench tightening, the head of the fastener should be flush with the product. If it is not, cross-threading has occurred. Do not attempt to rework the assembly as more damage to the equipment will occur. Contact Customer Support. Refer to Obtaining Service.

## Hardware Kit

Fasteners		Quantity
	(A) Socket head screw (3/4-inch)	8
	(B) Buttonhead screw (3/4-inch)	6
	(C) Split washer (5/16-inch)	6

**Note:** Additional fasteners exist in the hardware kit, but they are not used on this product.

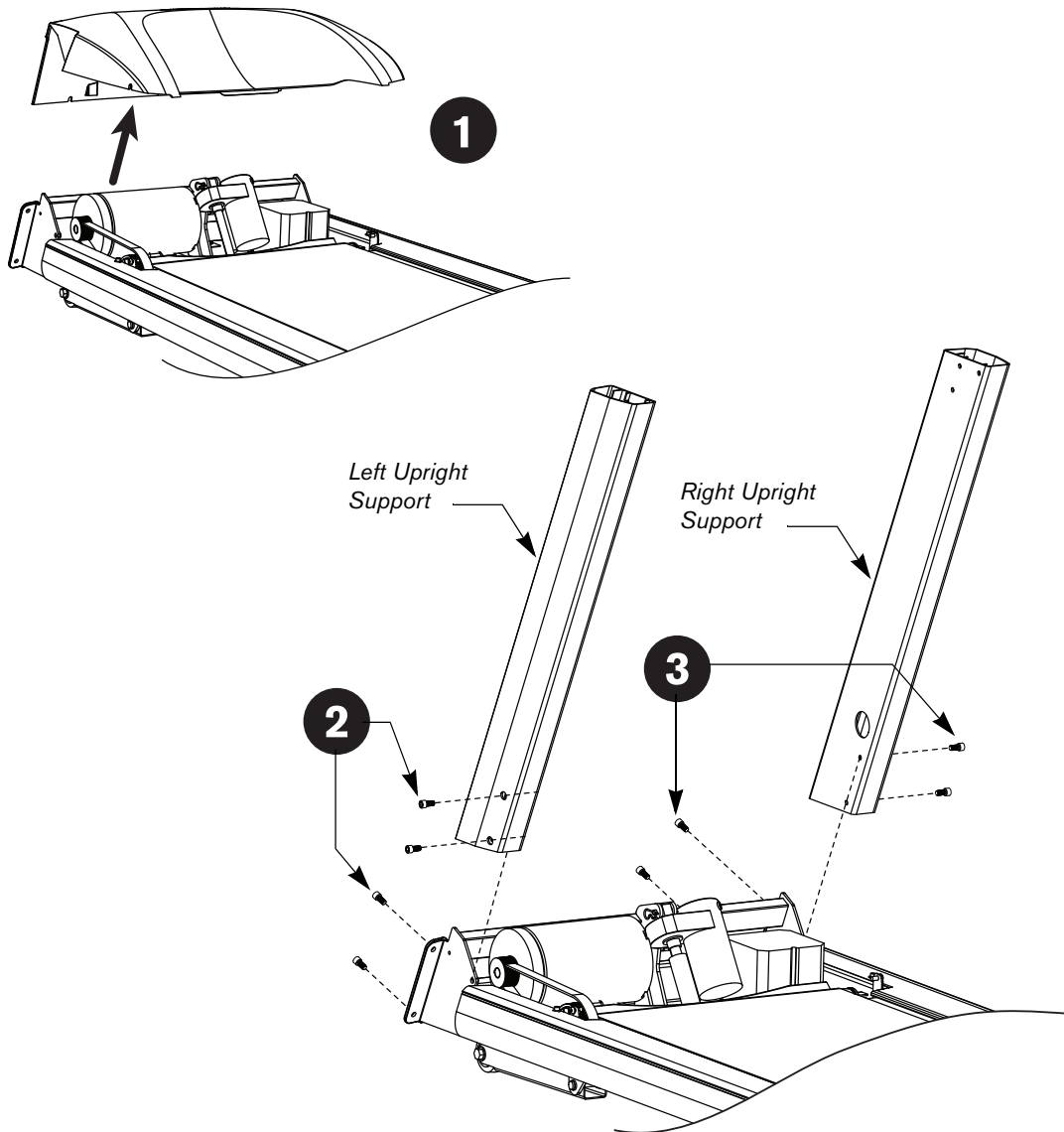
1 – 1/4-inch hex key



1 – 3/16-inch hex key

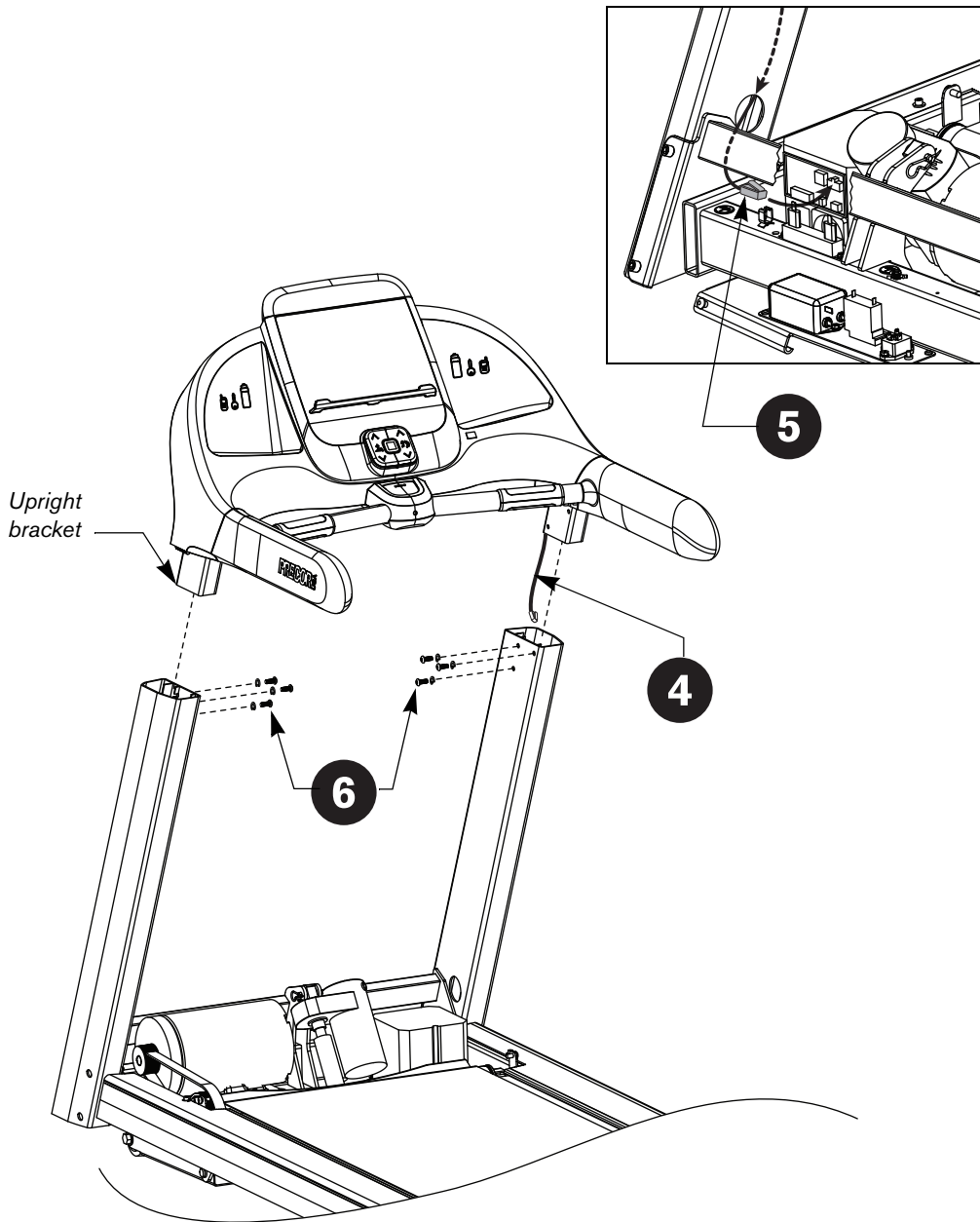


# Assembly Steps



**CAUTION:** The location of the On/Off switch is beneath the cutout on the base frame. Make sure the power switch is in the Off position. Make sure the power cord is disconnected from its power source.

- 1** Loosen, but do not remove, the two front fasteners and two side fasteners on the hood using the  $\frac{3}{16}$ -inch hex key. Remove the hood and set it aside.
- 2** Slide the left upright support into the base frame bracket. Ask your assistant to insert a socket head screw (A) into the top mounting hole on the front of the bracket. Thread the screw so the other mounting holes line up. Then, insert the other three screws (A). To allow room for adjustments, loosely tighten the screws with the  $\frac{1}{4}$ -inch hex key.
- 3** Attach the right upright support by following the same procedure as step 2 using four socket head screws (A). To allow room for adjustments, loosely tighten the screws with the  $\frac{1}{4}$ -inch hex key.



- 4 Ask your assistant to hold the display console above the upright supports while you unwrap the cable and feed the it through the right upright support.

**CAUTION:** Be aware of the handrail extensions when you are working around the front of the unit. It is easy to bump your head or sustain other injuries if you ignore the location of the handrail extensions.

- 5 Pull the cable out through the grommets hole and connect the cable to its receptacle on the electronics board. The tab on the cable connector faces the front of the treadmill. An audible click is heard when the cable is properly attached.

**Important:** Make sure the upright bracket and fasteners do not pinch the cable. Cables damaged by improper installation will not be covered by the Precor Limited Warranty.

- 6 Lower the display console. Avoid pinching the cable by placing it along the front edge of the upright bracket. Align the mounting holes and insert six buttonhead screws (B) and six split washers (C). Loosely tighten the screws with the  $\frac{3}{16}$ -inch hex key to allow room for adjustments.

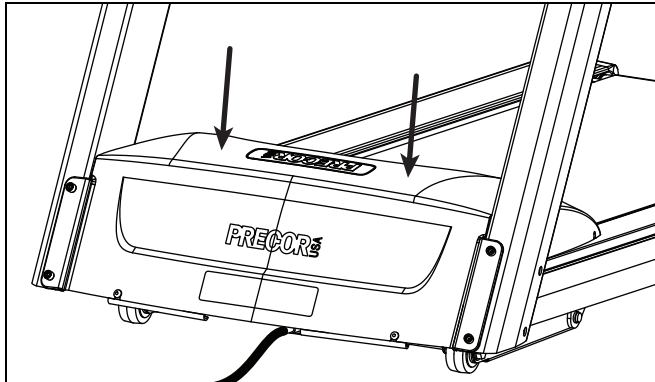
**Important:** Do not wrench tighten the screws until the unit has been fully assembled. Make sure the fasteners do not pinch the cable. Cables damaged by improper installation will not be covered by the Precor Limited Warranty.

**7** Tighten all mounting screws.

1. Start at the base and alternately tighten the eight fasteners that secure the upright supports to the base assembly.
2. Wrench tighten the six screws that secure the display console to the upright supports.

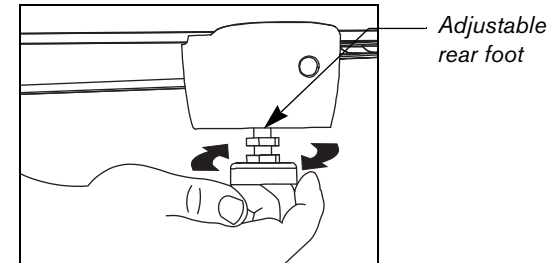
**CAUTION: Be aware of the handrail extensions when you are working around the front of the unit. It is easy to bump your head or sustain other injuries if you ignore the location of the handrail extensions.**

**8** Position the hood over the running belt so you can slide it through the upright supports from the rear. Align the hood with its four fasteners. Use the  $\frac{3}{16}$ -inch hex key to wrench tighten the two side fasteners before wrench tightening the two fasteners that secure the front of the hood.



**9** Before using the unit, make sure it is level. If adjustments are needed, adjust one rear foot at a time. Do not raise the unit more than  $\frac{3}{4}$  inch (2 cm) from the floor.

1. Ask a capable assistant to lift the rear portion of the treadmill (using proper lifting techniques).
2. Loosen the upper lock nut with a crescent wrench and rotate the rear feet as needed.



3. Retighten the lock nut and lower the treadmill to the floor.

**10** Plug the power cord into an appropriate outlet.  
**Important:** The treadmill requires a dedicated, grounded circuit. A 20-amp circuit is recommended. Refer to Grounding Instructions in the Product Owner's Manual.

**11** Check the alignment and adjust the running belt. For instructions, refer to *Checking the Alignment and Adjusting the Running Belt*. If you wish to test the heart rate feature, refer to the owner's manual.

## 12

## Checking the Alignment and Adjusting the Running Belt

Proper belt alignment allows the belt to remain centered and ensures smooth operation. Realigning the belt takes a few simple adjustments. If you are unsure about this procedure, contact Precor Customer Support. Refer to *Obtaining Service*.

### To check the alignment:

**CAUTION: Special care must be taken when aligning the running belt. Turn Off the treadmill while adjusting or working near the rear roller. Remove any loose clothing and tie back your hair. Be very careful to keep your fingers and any other object clear of the belt and rollers, especially in front of the roller and behind the deck. The treadmill will not stop immediately if an object becomes caught in the belt or rollers.**

1. Turn the unit On.
2. Stand beside the treadmill and press QUICKSTART.  
The running belt starts automatically after a 3-second countdown appears on the display.
3. Press the SPEED up arrow key until the display shows a speed of 3 mph (5 kph).

**CAUTION: If you hear any chafing or the running belt appears to be getting damaged, stop the running belt immediately by pressing the red STOP button. Contact Precor Customer Support.**

4. Walk around to the rear of the unit and observe the belt for a few minutes. The belt should run centered along the running bed. If the belt drifts off center, you must make adjustments. Refer to *Adjusting the Running Belt*.

**Important:** *If the belt needs alignment, make the adjustments at once. Failure to align the belt may cause the belt to tear or fray, which is not covered by the Precor Limited Warranty.*

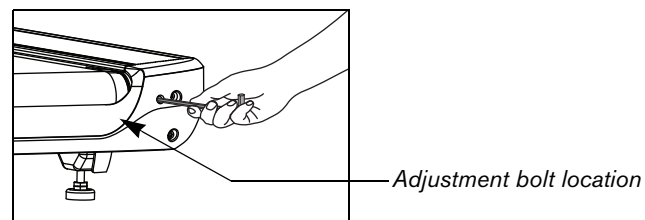
5. To stop the running belt, press the red STOP button.
6. Turn the treadmill Off.

### To adjust the running belt:

If you are unsure about adjusting the running belt, contact Precor Customer Support. Refer to *Obtaining Service*.

**CAUTION: For your safety, use the power switch to turn Off the treadmill before making any adjustments. Do not adjust the running belt when someone is standing on the unit.**

1. Locate the right belt adjustment bolt in the rear end cap of the treadmill.



To determine left and right, stand at the rear of the treadmill and face the display. Make all belt adjustments on the **right rear corner bolt** using the 1/4-inch hex key.

- If the belt is off center to the LEFT, turn the adjusting bolt 1/4 turn *counterclockwise*, which moves the running belt to the right.
- If the belt is off center to the RIGHT, turn the bolt 1/4 turn *clockwise*, which moves the belt to the left.

**Important:** *Do not turn the adjusting bolt more than 1/4 turn at a time. Overtightening the bolt can damage the treadmill.*

2. Recheck the alignment of the running belt.



*Notes:*

*Notes:*



**PRECOR**<sup>®</sup> USA  
move beyond<sup>®</sup>

Precor Incorporated  
20031 142nd Avenue NE  
P.O. Box 7202  
Woodinville, WA USA 98072-4002



©2008 Precor Incorporated  
[www.precor.com](http://www.precor.com)  
946i/932i AG 49921-102, en  
11 February 2008