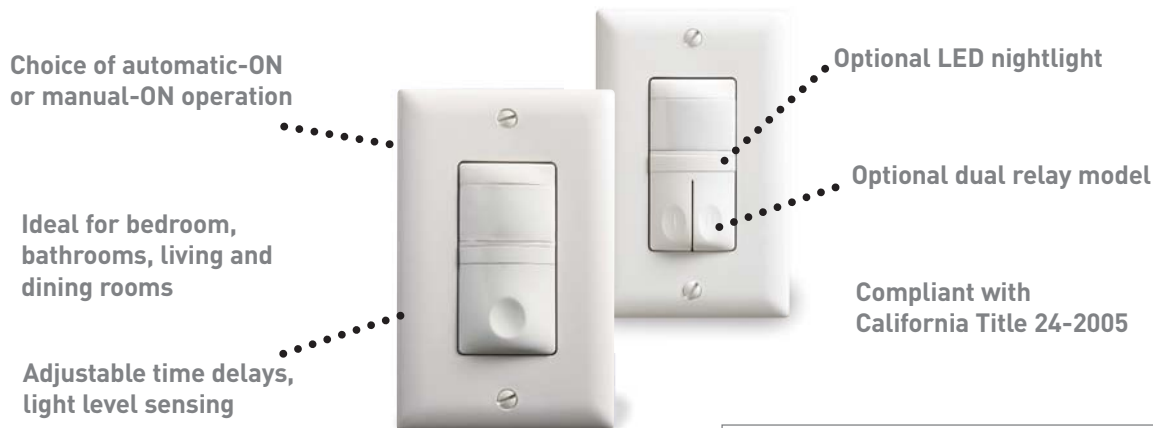




RS Series Passive Infrared (PIR) Universal Application Wall Switch Vacancy Sensors



PROJECT
LOCATION/TYPE

Product Overview

Description

Universal application wall switch vacancy sensors replace standard wall switches. A variety of models provide different features. These switches offer convenient, cost-effective energy savings throughout the home.

Operation

Universal application wall switch vacancy sensors use PIR technology to sense the difference between infrared energy from a person in motion and the background space in order to detect when a space becomes vacant. They operate as vacancy sensors when utilizing the preset factory setting for manual-ON operation. When programmed for automatic-ON operation, they operate as occupancy sensors.

A setup button and two adjustment trimpots are conveniently located behind the ON/OFF button and allow for a variety of additional control options such as manual or automatic-ON, time delay and light level sensing.

Features

- Replaces a standard light or fan single pole switch (RS-250 & RS-250-N)
- No leakage to load in OFF mode for safety
- Low-profile styling with uniform color-matched lens and device
- Manual- or Automatic-ON operation
- Adjustable time delay from 15 seconds to 30 minutes
- Lighted switch for visibility in darkened rooms
- Choice of three decorator colors

Optional Dual Relay Model

The RS-350 and RS-350-N include dual relays for control of two different loads from a single location. Each push-button offers manual ON/OFF control for users. Each relay offers independently selectable manual-ON or automatic-ON operation. The light level sensing capability is available on the first relay only.

Applications

Universal application sensors can be used in virtually every room in a residence. Homeowners can select appropriate on/off mode, time delay and light level settings to maximize potential energy savings without compromising comfort or convenience. The RS-250 can be used in any space where residents want to select a specific time delay and daylight contributions are significant. The RS-350 is ideal for spaces where simultaneous control of two different loads from a single location is desired, for example control of a bathroom light and exhaust fan. For applications where a night-light is desired, such as bedrooms and bathrooms, the RS-250-N and RS-350-N built-in nightlight illuminates the space when lighting is off.

- Works with most common residential lighting types
- Light level sensing prevents automatic-ON of lights when adequate daylight exists
- California Title 24 compliant
- Contains two relays for controlling two independent lighting loads or circuits; the primary relay can be controlled by daylight; the secondary relay is isolated (RS-350 & RS-350-N)
- Amber LED nightlight illuminates whenever overhead lights are off (RS-250-N & RS-350-N)

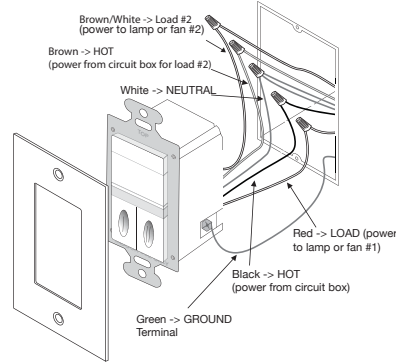


Specifications

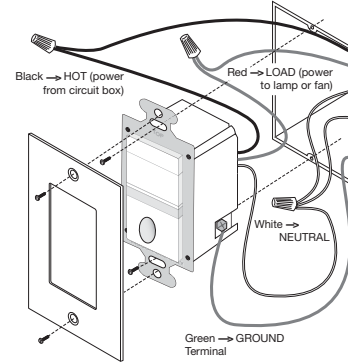
- 120 VAC, 60 Hz
- Load requirements: 0-600W incandescent, fluorescent, compact fluorescent (CFL), magnetic low voltage (MLV), electronic low voltage (ELV), and 1/6 hp
- Neutral required
- Coverage: 180°, max.600 ft² (56m²)
- Adjustable light level setting from 10-150 fc (100-1500 lux) (relay #1 only)
- Adjustable time delay from 15 seconds to 30 minutes
- 2.63" x 1.69" x 1.88" (67.8mm x 42.9mm x 47.8mm) L x W x D
- UL and CUL listed; five-year warranty

Installation & Wiring

Wiring for RS-350 and RS-350-N

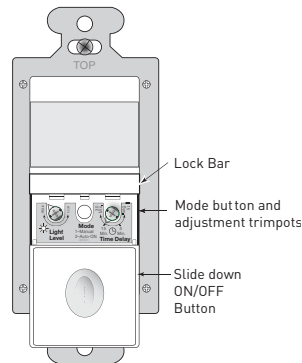


Wiring for RS-250 and RS-250-N



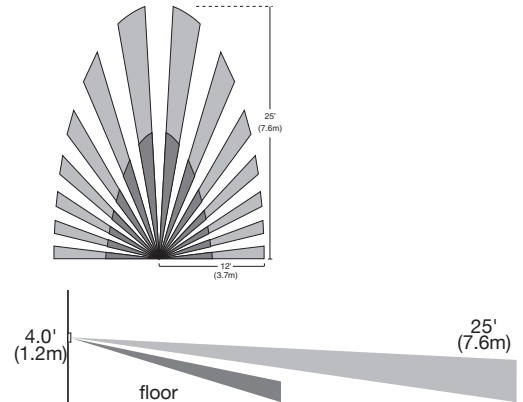
Controls & Coverage

RS-250 & RS-250-N Controls



To access mode button and adjustment trim pots, gently pull the Lock Bar away from the switch face and slide the ON/OFF button down.

Coverage



Ordering Information

Catalog No.	Color	Special Feature	Voltage	Load Requirement	Coverage
<input type="checkbox"/> RS-250-W	White		120 VAC, 60 Hz	0-600W incandescent, fluorescent, CFL, MLV, ELV, 1/6 hp	180°, max.600 ft ² (56m ²)
<input type="checkbox"/> RS-250-I	Ivory				
<input type="checkbox"/> RS-250-LA	Lt. Almond				
<input type="checkbox"/> RS-250-B	Black				
<input type="checkbox"/> RS-250-N-W	White	Nightlight			
<input type="checkbox"/> RS-250-N-I	Ivory				
<input type="checkbox"/> RS-250-N-LA	Lt. Almond				
<input type="checkbox"/> RS-250-N-B	Black				
<input type="checkbox"/> RS-350-W	White	Dual Relay			
<input type="checkbox"/> RS-350-I	Ivory				
<input type="checkbox"/> RS-350-LA	Lt. Almond				
<input type="checkbox"/> RS-350-B	Black				
<input type="checkbox"/> RS-350-N-W	White	Dual Relay with Nightlight			
<input type="checkbox"/> RS-350-N-I	Ivory				
<input type="checkbox"/> RS-350-N-LA	Lt. Almond				
<input type="checkbox"/> RS-350-N-B	Black				