



Register Online!
(see page 2)

S'inscrire en ligne!
(voir page 12)



GLO-RAY®

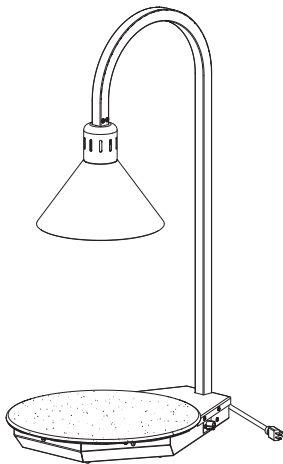
Round Heated Stone Shelves with Decorative Lamp

Plaques chauffantes circulaires en pierre avec lampe décorative

GRSSR-DL Series/Série

Installation and Operating Manual Manuel d'installation et d'utilisation

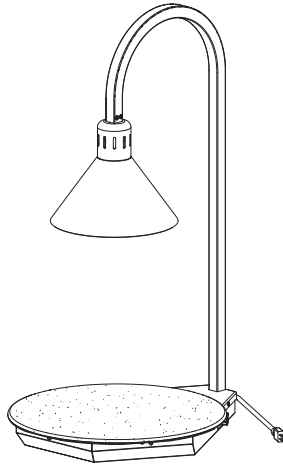
07.04.409.00



⚠ WARNING

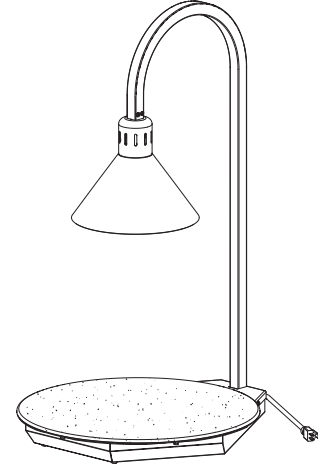
Do not operate this equipment unless you have read and understood the contents of this manual! Failure to follow the instructions contained in this manual may result in serious injury or death. This manual contains important safety information concerning the maintenance, use, and operation of this product. If you're unable to understand the contents of this manual, please bring it to the attention of your supervisor. Keep this manual in a safe location for future reference.

English = p 2



⚠ ADVERTENCIA

No opere este equipo al menos que haya leído y comprendido el contenido de este manual! Cualquier falla en el seguimiento de las instrucciones contenidas en este manual puede resultar en un serio lesión o muerte. Este manual contiene importante información sobre seguridad concerniente al mantenimiento, uso y operación de este producto. Si usted no puede entender el contenido de este manual por favor pregunte a su supervisor. Almacenar este manual en una localización segura para la referencia futura.



⚠ AVERTISSEMENT

Ne pas utiliser cet équipement sans avoir lu et compris le contenu de ce manuel ! Le non-respect des instructions contenues dans ce manuel peut entraîner de graves blessures ou la mort. Ce manuel contient des informations importantes concernant l'entretien, l'utilisation et le fonctionnement de ce produit. Si vous ne comprenez pas le contenu de ce manuel, veuillez le signaler à votre supérieur. Conservez ce manuel dans un endroit sûr pour pouvoir vous y référer plus tard.

Français = p 12

Important Owner Information2
Introduction2
Important Safety Information.....3
Model Descriptions.....4
Model Designation.....4
Specifications.....5
 Plug Configurations5
 Electrical Rating Charts5
 Dimensions5
Installation6
 General6

Operation7
 General7
Maintenance8
 General8
 Daily Cleaning.....8
 Cleaning the Stone Surface8
 Replacing an Infrared Bulb8
Troubleshooting Guide9
Options and Accessories.....10
Limited Warranty.....11
Authorized Parts Distributors.....Back Cover

IMPORTANT OWNER INFORMATION

Record the model number, serial number, voltage, and purchase date of the unit in the spaces below (specification label on the inside of the decorative lamp). Please have this information available when calling Hatco for service assistance.

Model No. _____

Serial No. _____

Voltage _____

Date of Purchase _____

Register your unit!

Completing online warranty registration will prevent delay in obtaining warranty coverage. Access the Hatco website at www.hatcocorp.com, select the *Parts & Service* pull-down menu, and click on "Warranty Registration".

Business

Hours: 7:00 AM to 5:00 PM Central Standard Time (CST)
(Summer Hours: June to September—
7:00 AM to 5:00 PM CST Monday–Thursday
7:00 AM to 4:00 PM CST Friday)

Telephone: 800-558-0607; 414-671-6350

E-mail: partsandservice@hatcocorp.com

Fax: 800-690-2966 (Parts and Service)
414-671-3976 (International)



24 Hour 7 Day Parts and Service Assistance available in the United States and Canada by calling 800-558-0607.

Additional information can be found by visiting our web site at www.hatcocorp.com.

INTRODUCTION

Hatco Glo-Ray® Round Heated Stone Shelves with Decorative Lamp are designed to keep hot food at optimum serving temperatures and to enhance restaurant decor. Heat is focused directly above and below, providing effective insulation for prolonged serving times.

Glo-Ray Round Heated Stone Shelves with Decorative Lamp are products of extensive research and field testing. The materials used were selected for maximum durability, attractive appearance, and optimum performance. Every unit is inspected and tested thoroughly prior to shipment.

This manual provides the installation, safety, and operating instructions for Glo-Ray Round Heated Stone Shelves with Decorative Lamp. Hatco recommends all installation, operating, and safety instructions appearing in this manual be read prior to installation or operation of a unit.

Safety information that appears in this manual is identified by the following signal word panels:



WARNING indicates a hazardous situation which, if not avoided, could result in death or serious injury.



CAUTION indicates a hazardous situation which, if not avoided, could result in minor or moderate injury.



NOTICE is used to address practices not related to personal injury.



Read the following important safety information before using this equipment to avoid serious injury or death and to avoid damage to equipment or property.

WARNING

ELECTRIC SHOCK HAZARD:

- Plug unit into a properly grounded electrical receptacle of the correct voltage, size, and plug configuration. If plug and receptacle do not match, contact a qualified electrician to determine and install the proper voltage and size electrical receptacle.
- Turn OFF power switch, unplug power cord, and allow unit to cool before performing any cleaning, adjustments, or maintenance.
- DO NOT submerge or saturate with water. Unit is not waterproof. Do not operate if unit has been submerged or saturated with water.
- Unit is not weatherproof. Locate unit indoors where ambient air temperature is a minimum of 70°F (21°C).
- This unit is not “jet-proof” construction. Do not use jet-clean spray to clean this unit.
- Do not steam clean or use excessive water on unit.
- Do not pull unit by power cord.
- Discontinue use if power cord is frayed or worn.
- Do not attempt to repair or replace a damaged power cord. The cord must be replaced by Hatco, an Authorized Hatco Service Agent, or a person with similar qualifications.
- This unit must be serviced by qualified personnel only. Service by unqualified personnel may lead to electric shock or burn.
- Use only Genuine Hatco Replacement Parts when service is required. Failure to use Genuine Hatco Replacement Parts will void all warranties and may subject operators of the equipment to hazardous electrical voltage, resulting in electrical shock or burn. Genuine Hatco Replacement Parts are specified to operate safely in the environments in which they are used. Some aftermarket or generic replacement parts do not have the characteristics that will allow them to operate safely in Hatco equipment.

FIRE HAZARD:

- Locate unit a minimum of 1” (25 mm) from combustible walls and materials. If safe distances are not maintained, discoloration or combustion could occur.
- Do not install a bulb with a higher watt rating than that shown on the unit specification label.

WARNING

Make sure food product has been heated to the proper food-safe temperature before placing on the unit. Failure to heat food product properly may result in serious health risks. This unit is for holding preheated food product only.

Hatco Corporation is not responsible for actual food product serving temperature. It is the responsibility of the user to ensure that food product is held and served at a safe temperature.

This unit is not intended for use by children or persons with reduced physical, sensory, or mental capabilities. Ensure proper supervision of children and keep them away from the unit.

Make sure all operators have been instructed on the safe and proper use of the unit.

This unit has no “user-serviceable” parts. If service is required on this unit, contact an Authorized Hatco Service Agent or contact the Hatco Service Department at 800-558-0607 or 414-671-6350; fax 800-690-2966; or International fax 414-671-3976.

CAUTION

BURN HAZARD: Some exterior surfaces on the unit will get hot. Use caution when touching these areas.

Locate unit at proper counter height in an area that is convenient for use. Location should be level to prevent unit or its contents from falling accidentally and strong enough to support the weight of the unit and contents.

Make sure to clean and sanitize stone surface properly after deep cleaning the surface using abrasives and before placing food product on unit.

NOTICE

Damage to any countertop material caused by heat generated from Hatco equipment is not covered under the Hatco warranty. Contact manufacturer of countertop material for application information.

Do not lift or carry unit by lamp shade or shade support tube. Lift at base only.

Transport and install unit in upright position only.

Do not lay unit on the side with the control panel. Damage to unit could occur.

Do not locate unit in area with excessive air movement around unit. Avoid areas that may be subject to active air movements or currents (i.e., near exhaust fans/hoods, air conditioning ducts, and exterior doors).

Use non-abrasive cleaners and cloths only. Abrasive cleaners and cloths could scratch finish of unit, marring its appearance and making it susceptible to soil accumulation.

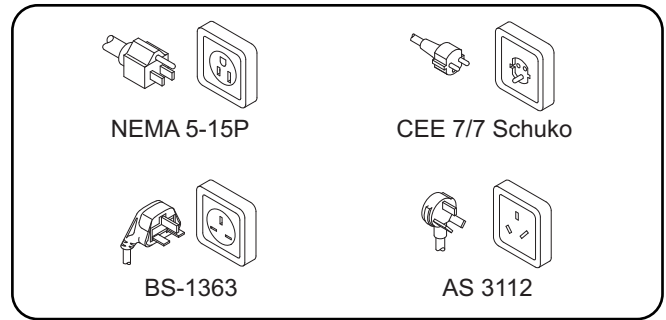
Plug Configurations

Units are supplied from the factory with an electrical cord and plug installed. Plugs are supplied according to the application.



ELECTRIC SHOCK HAZARD: Plug unit into a properly grounded electrical receptacle of the correct voltage, size, and plug configuration. If plug and receptacle do not match, contact a qualified electrician to determine and install proper voltage and size electrical receptacle.

NOTE: Specification label on the inside of the decorative lamp. See label for serial number and verification of unit electrical information.



Plug Configurations

NOTE: Receptacle not supplied by Hatco.

Electrical Rating Chart

Model	Voltage	Watts	Amps	Plug Configuration	Shipping Weight
GRSSR16-DL (standard watt bulb)	120	500	4.2	NEMA 5-15P	27 lbs. (12 kg)
(high watt bulb)	120	625	5.2	NEMA 5-15P	27 lbs. (12 kg)
GRSSR18-DL (standard watt bulb)	120	575	4.8	NEMA 5-15P	30 lbs. (14 kg)
(high watt bulb)	120	700	5.8	NEMA 5-15P	30 lbs. (14 kg)
GRSSR20-DL (standard watt bulb)	100	450	4.5	NEMA 5-15P	32 lbs. (15 kg)
(standard watt bulb)	120	650	5.4	NEMA 5-15P	32 lbs. (15 kg)
(standard watt bulb)	220–230 (CE)	550–600	2.5–2.6	CEE 7/7 Schuko	32 lbs. (15 kg)
(standard watt bulb)	230–240 (CE)	600–650	2.6–2.7	BS-1363, AS 3112	32 lbs. (15 kg)
(high watt bulb)	100	530	5.3	NEMA 5-15P	32 lbs. (15 kg)
(high watt bulb)	120	775	6.4	NEMA 5-15P	32 lbs. (15 kg)

NOTE: Shipping weight includes packaging.

Shaded areas contain electrical information for international units only.

Dimensions

Model	Diameter (A)	Depth (B)
GRSSR16-DL	16" (406 mm)	20-1/2" (521 mm)
GRSSR18-DL	18" (457 mm)	21-1/2" (546 mm)
GRSSR20-DL	20" (508 mm)	22-1/2" (571 mm)

GRSSR20-DL Shown

General

The Glo-Ray® Round Heated Stone Shelf with Decorative Lamp is shipped pre-assembled and ready for operation. Care should be taken when unpacking shipping carton to avoid damage to unit and components enclosed. Use the following procedure to install a Round Heated Stone Shelf with Decorative Lamp.

⚠ WARNING

ELECTRIC SHOCK HAZARD: Unit is not weatherproof. Locate the unit indoors where the ambient air temperature is a minimum of 70°F (21°C).

FIRE HAZARD: Locate unit a minimum of 1" (25 mm) from combustible walls and materials. If safe distances are not maintained, combustion or discoloration could occur.

⚠ CAUTION

Locate unit at proper counter height in an area that is convenient for use. Location should be level to prevent unit or its contents from falling accidentally and strong enough to support the weight of the unit and contents.

NOTICE

Do not lift or carry unit by lamp shade or shade support tube. Lift at base only.

Transport and install unit in upright position only.

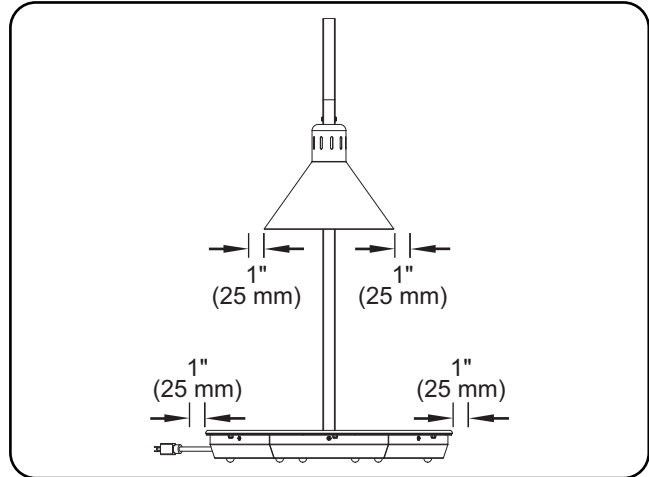
1. Remove the unit from the box.

NOTE: To prevent delay in obtaining warranty coverage, complete online warranty registration. See the IMPORTANT OWNER INFORMATION section for details.

2. Remove tape and protective packaging from all surfaces of unit.

3. Place the unit in the desired location.

- Locate the unit in an area where the ambient air temperature is constant and a minimum of 70°F (21°C). Avoid areas that may be subject to active air movements or currents (i.e., near exhaust fans/hoods, air conditioning ducts, and exterior doors).
- Make sure the unit is at the proper counter height in an area convenient for use.
- Make sure the countertop is level and strong enough to support the weight of the unit and food product.
- Make sure all the feet on the bottom of the unit are positioned securely on the countertop.



Minimum Clearance Requirements

4. Install any accessories that came with the unit. Refer to the OPTIONS AND ACCESSORIES section for details.

General

Use the following procedure to turn on and operate a Glo-Ray Round Heated Stone Shelf with Decorative Lamp.

⚠ WARNING

Read all safety messages in the **IMPORTANT SAFETY INFORMATION** section before operating this equipment.

Make sure to clean and sanitize stone surface properly after deep cleaning the surface using abrasives and before placing food product on unit.

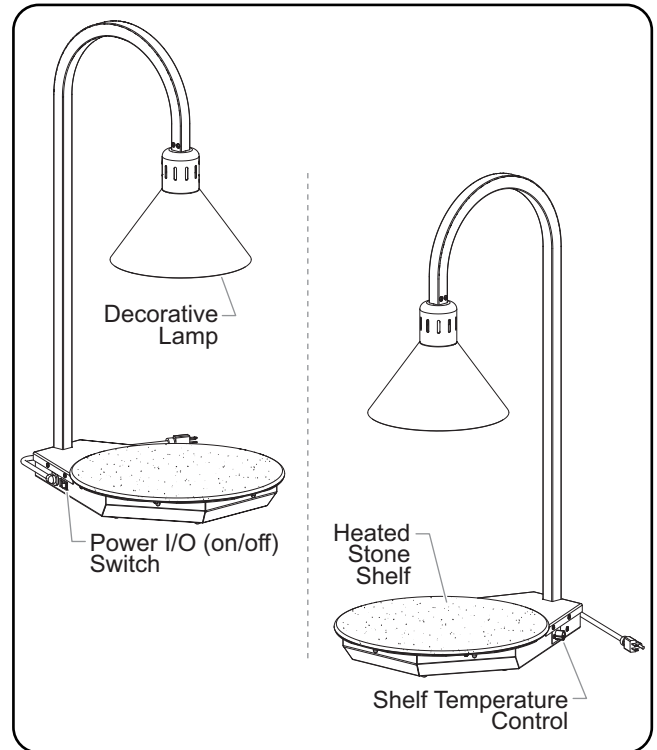
Startup

1. Clean and sanitize the stone surface using a clean, damp cloth and a sanitizer approved for food contact surfaces.
2. Plug unit into a properly grounded electrical receptacle of the correct voltage, size, and plug configuration. See SPECIFICATIONS section in this manual for details.
3. Move the Power I/O (on/off) switch to the I (on) position.
 - The decorative lamp will illuminate and the heated stone shelf will energize.

⚠ CAUTION

BURN HAZARD: Some exterior surfaces on the unit will get hot. Use caution when touching these areas.

4. Turn the Shelf Temperature Control to the desired temperature setting.
 - Turning the Shelf Temperature Control knob clockwise will increase the temperature setting. Turning the Shelf Temperature Control knob counterclockwise will decrease the temperature setting.
5. Allow the unit 30 minutes to reach operating temperature before loading with preheated food product.



Controls (GRSSR16-DL shown)

Shutdown

1. Move the Power I/O (on/off) switch to the O (off) position.
 - The decorative lamp and heated stone shelf will shut off.
2. Perform the "Daily Cleaning" procedure in the MAINTENANCE section of this manual.

General

Hatco Glo-Ray® Round Heated Stone Shelves with Decorative Lamp are designed for maximum durability and performance, with minimum maintenance.



ELECTRIC SHOCK HAZARD:

- Turn OFF power switch, unplug power cord, and allow unit to cool before performing any cleaning, adjustments, or maintenance.
- DO NOT submerge or saturate with water. Unit is not waterproof. Do not operate if unit has been submerged or saturated with water.
- This unit is not “jet-proof” construction. Do not use jet-clean spray to clean this unit.
- Do not steam clean or use excessive water on unit.
- Use only Genuine Hatco Replacement Parts when service is required. Failure to use Genuine Hatco Replacement Parts will void all warranties and may subject operators of the equipment to hazardous electrical voltage, resulting in electrical shock or burn. Genuine Hatco Replacement Parts are specified to operate safely in the environments in which they are used. Some aftermarket or generic replacement parts do not have the characteristics that will allow them to operate safely in Hatco equipment.

This unit has no “user-serviceable” parts. If service is required on this unit, contact an Authorized Hatco Service Agent or contact the Hatco Service Department at 800-558-0607 or 414-671-6350; fax 800-690-2966; or International fax 414-671-3976.

Daily Cleaning

To preserve the finish of the unit as well as maintain performance, it is recommended that the unit be cleaned daily.

NOTICE

Use non-abrasive cleaners and cloths only. Abrasive cleaners and cloths could scratch finish of unit, marring its appearance and making it susceptible to soil accumulation.

1. Before turning on the unit each day, clean and sanitize the stone surfaces using a clean, damp cloth and a sanitizer approved for food contact surfaces. If additional cleaning is necessary, refer to the “Cleaning the Stone Surface” information in this section.
2. At the end of each day:
 - a. Move the Power I/O (on/off) switch to the O (off) position, unplug the power cord, and allow the unit to cool.
 - b. Wipe down the lamp shade with a clean, soft, water-dampened cloth. Stubborn stains can be removed with a mild, non-abrasive cleaner.
 - c. Clean and sanitize the stone surface using a clean, damp cloth and a sanitizer approved for food contact surfaces. If additional cleaning is necessary, refer to the “Cleaning the Stone Surface” information in this section.

NOTE: To correct inconsistent staining and discoloration, refer to “Cleaning the Stone Surface” in this section.

- d. Wipe down all metal surfaces using a clean, damp, non-abrasive cloth.
- e. Wipe dry with a clean, non-abrasive cloth.

Cleaning the Stone Surface

Proper use of the products listed below will not damage the stone surface (follow the directions on the product labels).

NOTE: Stone surfaces are a simulated stone solid surface.



Make sure to clean and sanitize stone surface properly after deep cleaning the surface using abrasives and before placing food product on unit.

Hard to Remove Stains

For hard-to-remove stains, use the supplied abrasive pad along with an abrasive cleaner such as Ajax, Comet, Bon Ami, or Bar Keeper’s Friend. Additional abrasive pads are available from Hatco (P/N 04.39.049.00). **NOTICE: Use supplied abrasive pad on stone surface only.**

NOTE: Do not use steel wool or metal scouring pads.

Mineral Based Stains

For a mineral-based stain, cleaners designed to remove iron or rust are recommended and should not harm the stone surface.

Scratches

For scratches, use sandpaper starting with the coarsest grit and going to finest grit until the scratch disappears. Blend area in with the supplied abrasive pad.

Replacing an Infrared Bulb

Each Glo-Ray® Round Heated Stone Shelf with Decorative Lamp has one infrared bulb rated at either 250 W or 375 W (120 V only). Use the following procedure to replace an infrared bulb.



FIRE HAZARD: Do not install a bulb with a higher watt rating than that shown on the unit specification label.

1. To replace a bulb, move the Power I/O (on/off) switch to the O (off) position, unplug the power cord, and allow the bulb to cool completely.
2. Unscrew the bulb from the unit and replace with a new bulb.

NOTE: Refer to the OPTIONS AND ACCESSORIES section for replacement infrared bulbs available from Hatco.



This unit must be serviced by trained and qualified personnel only. Service by unqualified personnel may lead to electric shock or burn.



ELECTRIC SHOCK HAZARD: Turn OFF power switch, unplug power cord, and allow unit to cool before performing any cleaning, adjustments, or maintenance.

Symptom	Probable Cause	Corrective Action
Unit too hot.	Shelf Temperature Control set too high.	Change the temperature setting to a lower setting.
	Unit plugged into incorrect power supply.	Verify with qualified personnel that power supply matches unit specification.
	Shelf Temperature Control defective.	Contact Authorized Service Agent or Hatco for assistance.
Unit not hot enough.	Shelf Temperature Control set too low.	Change the temperature setting to a higher setting.
	Location of unit is susceptible to air currents (air conditioning ducts, exhaust fans, or exterior doors).	Block air currents or relocate unit.
Unit not working at all.	Unit not turned on.	Move Power I/O (on/off) Switch to the I (on) position.
	Unit not plugged in.	Plug unit into proper power supply.
	Circuit breaker has tripped.	Reset circuit breaker.
	Power I/O (on/off) Switch defective.	Contact Authorized Service Agent or Hatco for assistance.
	Shelf Temperature Control defective.	Contact Authorized Service Agent or Hatco for assistance.
	Base heating element burned out.	Contact Authorized Service Agent or Hatco for assistance.
Stone surface material is stained, discolored, or has inconsistent staining/discoloration.	Stone surface is not being cleaned properly.	Clean surface using the "Cleaning the Stone Surface" information in the MAINTENANCE section of this manual. If these methods fail to produce acceptable results, contact Hatco for assistance.
Infrared bulb does not illuminate.	Bulb is defective or has burned out.	Replace infrared bulb.

Troubleshooting Questions?

If you continue to have problems resolving an issue, please contact the nearest Authorized Hatco Service Agency or Hatco for assistance. To locate the nearest Service Agency, log onto the Hatco website at www.hatcocorp.com and click on *Find Service Agent*, or contact the **Hatco Parts and Service Team** at:

Telephone: 800-558-0607 or 414-671-6350

e-mail: partsandservice@hatcocorp.com

Fax: 800-690-2966 or 414-671-3976

Infrared Bulbs

The following infrared bulbs are available for use in Hatco Decorative Lamps.

Standard Watt Bulbs

250 W, 120 V, Red Coated	02.30.068.00
250 W, 120 V, Clear Coated	02.30.069.00
250 W, 120 V, Red Uncoated	02.30.070.00
250 W, 120 V, Clear Uncoated	02.30.071.00
250 W, 240 V (CE), Clear Coated	02.30.100.00
250 W, 240 V (CE), Clear Uncoated	02.30.083.00

High Watt Bulbs

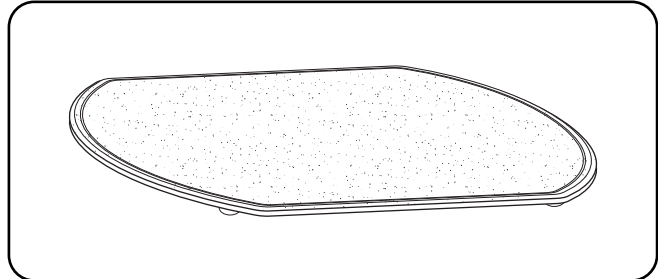
375 W, 120 V, Clear Uncoated	02.30.093.00
375 W, 120 V, Red Uncoated	02.30.094.00
375 W, 120 V, Clear Coated	02.30.097.00
375 W, 120 V, Red Coated	02.30.098.00

Cutting Board

The cutting board comes equipped with rubber feet on the bottom to center it on the unit.

The cutting board is made of the same material as the heated stone surface and is available in the same colors.

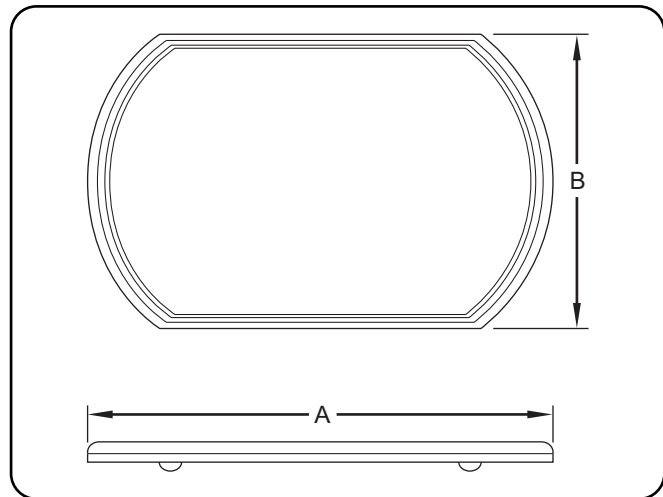
NOTE: Refer to the MAINTENANCE section for cleaning instructions.



Cutting Board

Cutting Board Dimensions

Model	Width (A)	Depth (B)
GRSSR16-DL	17" (432 mm)	11-3/4" (298 mm)
GRSSR18-DL	19" (483 mm)	13-3/4" (349 mm)
GRSSR20-DL	21" (533 mm)	15-3/4" (400 mm)



Cutting Board Dimensions

1. PRODUCT WARRANTY

Hatco warrants the products that it manufactures (the "Products") to be free from defects in materials and workmanship, under normal use and service, for a period of one (1) year from the date of purchase when installed and maintained in accordance with Hatco's written instructions or 18 months from the date of shipment from Hatco. Buyer must establish the Product's purchase date by registering the Product with Hatco or by other means satisfactory to Hatco in its sole discretion.

Hatco warrants the following Product components to be free from defects in materials and workmanship from the date of purchase (subject to the foregoing conditions) for the period(s) of time and on the conditions listed below:

- a) **One (1) Year Parts and Labor PLUS One (1) Additional Year Parts-Only Warranty:**
 - Conveyor Toaster Elements (metal sheathed)
 - Drawer Warmer Elements (metal sheathed)
 - Drawer Warmer Drawer Rollers and Slides
 - Strip Heater Elements (metal sheathed)
 - Display Warmer Elements (metal sheathed air heating)
 - Holding Cabinet Elements (metal sheathed air heating)
 - Heated Well Elements — HW and HWB Series (metal sheathed)
- b) **One (1) Year Parts and Labor PLUS Four (4) Years Parts-Only Warranty:**
 - 3CS and FR Tanks
- c) **One (1) Year Parts and Labor PLUS Nine (9) Years Parts-Only Warranty on:**
 - Electric Booster Heater Tanks
 - Gas Booster Heater Tanks
- d) **Ninety (90) Day Parts-Only Warranty:**
 - Replacement Parts

THE FOREGOING WARRANTIES ARE EXCLUSIVE AND IN LIEU OF ANY OTHER WARRANTY, EXPRESSED OR IMPLIED, INCLUDING BUT NOT LIMITED TO ANY IMPLIED WARRANTY OF MERCHANTABILITY OR FITNESS FOR A PARTICULAR PURPOSE OR PATENT OR OTHER INTELLECTUAL PROPERTY RIGHT INFRINGEMENT. Without limiting the generality of the foregoing, SUCH WARRANTIES DO NOT COVER: Coated incandescent light bulbs, fluorescent lights, heat lamp bulbs, coated halogen light bulbs, halogen heat lamp bulbs, xenon light bulbs, LED light tubes, glass components, and fuses; Product failure in booster tank, fin tube heat exchanger, or other water heating equipment caused by liming, sediment buildup, chemical attack, or freezing; or Product misuse, tampering or misapplication, improper installation, or application of improper voltage.

2. LIMITATION OF REMEDIES AND DAMAGES

Hatco's liability and Buyer's exclusive remedy hereunder will be limited solely, at Hatco's option, to repair or replacement using new or refurbished parts or Product by Hatco or a Hatco-authorized service agency (other than where Buyer is located outside of the United States, Canada, United Kingdom, or Australia, in which case Hatco's liability and Buyer's exclusive remedy hereunder will be limited solely to replacement of part under warranty) with respect to any claim made within the applicable warranty period referred to above. Hatco reserves the right to accept or reject any such claim in whole or in part. In the context of this Limited Warranty, "refurbished" means a part or Product that has been returned to its original specifications by Hatco or a Hatco-authorized service agency. Hatco will not accept the return of any Product without prior written approval from Hatco, and all such approved returns shall be made at Buyer's sole expense. HATCO WILL NOT BE LIABLE, UNDER ANY CIRCUMSTANCES, FOR CONSEQUENTIAL OR INCIDENTAL DAMAGES, INCLUDING BUT NOT LIMITED TO LABOR COSTS OR LOST PROFITS RESULTING FROM THE USE OF OR INABILITY TO USE THE PRODUCTS OR FROM THE PRODUCTS BEING INCORPORATED IN OR BECOMING A COMPONENT OF ANY OTHER PRODUCT OR GOODS.

Informations Importantes pour le Propriétaire	12	Mode d'emploi	18
Introduction	12	Généralités.....	18
Consignes de Sécurité Importantes	13	Maintenance	19
Description du Modèle	14	Généralités.....	19
Désignation du Modèle	14	Nettoyage quotidien.....	19
Caractéristiques Techniques	15	Nettoyer la surface en pierre	19
Configuration des Fiches	15	Remplacement d'une ampoule infrarouge.....	19
Tableau des valeurs nominales électriques.....	15	Guide de Dépannage	20
Dimensions	16	Options et accessoires	21
Installation	17	Garantie Limitée	22
Généralités.....	17	Autorisés Distributeurs de Pièces	Couverture Arrière

INFORMATIONS IMPORTANTES POUR LE PROPRIÉTAIRE

Notez le numéro de modèle, le numéro de série, la tension et la date d'achat de l'appareil dans les espaces ci-dessous (étiquette de spécification située à l'intérieur de la lampe décorative). Veuillez avoir cette information à portée de la main si vous appelez Hatco pour assistance.

Modèle No. _____

Numéro de série _____

Voltage _____

Date d'achat _____

Enregistrez votre appareil!

Remplissez la garantie en ligne pour éviter les retards pour faire jouer la garantie. Accédez au site Web Hatco www.hatcocorp.com, sélectionnez le menu déroulant Parts & Service, puis cliquez sur Warranty Registration.

Horaires

ouvrables: 7h00 à 17h00
Heure du Centre des États-Unis (CST)
(Horaires d'été : juin à septembre—
7h00 à 17h00 CST du lundi au jeudi
7h00 à 16h00 CST le vendredi)

Téléphone: 800-558-0607; 414-671-6350

Courriel: partsandservice@hatcocorp.com

Télécopieur: 800-690-2966 (Pièces et Service après-vente)
414-671-3976 (Internationale)



Service d'assistance et de pièces de rechange disponible 7j/7, 24h/24 aux États-Unis et au Canada en composant le 800-558-0607.

Des renseignements supplémentaires sont disponibles sur notre site Web à www.hatcocorp.com.

INTRODUCTION

Les plaques chauffantes circulaires avec lampe décorative Glo-Ray® de Hatco sont conçus pour garder les aliments chauds à l'optimum des températures de service et agrémenter le décor du restaurant. La chaleur est concentrée directement au-dessus et au-dessous, assurant une isolation efficace pendant des durées prolongées au service.

Les plaques chauffantes circulaires en pierre avec lampe décorative Glo-Ray sont des produits issus d'une recherche approfondie et d'essais sur le terrain. Les matériaux utilisés ont été sélectionnés pour un maximum de durabilité, d'aspect esthétique et de performance optimum. Chaque appareil est minutieusement inspecté et testé avant expédition.

Ce manuel contient des instructions relatives à l'installation, à la sécurité et au fonctionnement des plaques chauffantes circulaires en pierre avec lampe décorative Glo-Ray. Hatco vous recommande de lire l'ensemble des instructions d'installation, de sécurité et de fonctionnement contenues dans ce manuel avant d'installer et d'utiliser l'appareil.

Les consignes de sécurité qui apparaissent dans ce manuel sont identifiées par les mots indicateurs suivants :

AVERTISSEMENT

AVERTISSEMENT indique une situation dangereuse qui, si elle n'est pas évitée, peut provoquer la mort ou des blessures graves.

ATTENTION

ATTENTION indique une situation dangereuse qui, si elle n'est pas évitée, peut provoquer des blessures légères ou moyennes.

AVIS

AVIS est utilisé pour des questions sans rapport avec des blessures corporelles.



Lisez l'information de sécurité importante suivante avant d'utiliser cet équipement pour éviter des dommages ou la mort sérieux et pour éviter d'endommager l'équipement ou la propriété.

⚠ AVERTISSEMENT

DANGER DE DÉCHARGE ÉLECTRIQUE :

- Brancher l'appareil sur une prise de courant avec terre de tension, de format et de configuration des broches corrects. Si la fiche et la prise ne se correspondent pas, s'adresser à un électricien qualifié pour déterminer et installer une prise de courant de format et de tension corrects.
- Mettez l'unité hors tension depuis l'interrupteur, débranchez le cordon d'alimentation et laissez l'unité refroidir avant d'effectuer tout nettoyage, tout réglage ou tout entretien.
- NE PAS immerger l'appareil ni le saturer d'eau. L'appareil n'est pas étanche à l'eau. Ne pas le faire fonctionner s'il a été immergé ou saturé d'eau.
- L'appareil n'est pas à l'épreuve des intempéries. Placer l'appareil à l'intérieur à une température ambiante de 21°C (70°F) minimum.
- Cet appareil n'est pas étanche aux jets. Ne pas utiliser de jet sous pression pour nettoyer l'appareil.
- Ne pas nettoyer à la vapeur ni utiliser trop d'eau sur l'appareil.
- Ne pas tirer l'appareil par son cordon électrique.
- Ne pas utiliser l'appareil si le cordon est endommagé ou usé.
- Ne pas tenter de réparer ni de changer un cordon électrique endommagé. Ce cordon doit être changé par Hatco, par un réparateur Hatco agréé ou par une personne de qualifications comparables.
- La réparation de cet appareil doit être confiée exclusivement à du personnel qualifié. Les réparations par des personnes non qualifiées peuvent provoquer des décharges électriques et des brûlures.
- Utilisez uniquement des pièces de rechange d'origine Hatco lorsque l'entretien est nécessaire. Utilisez des pièces détachées Hatco authentiques sous peine d'annuler toutes les garanties et d'exposer l'utilisateur à des tensions électriques dangereuses pouvant entraîner une électrocution ou des brûlures. Les pièces de rechange authentiques Hatco sont spécifiées pour fonctionner en toute sécurité dans les environnements dans lesquels elles sont utilisées. Certaines pièces de rechange génériques ou d'après-vente n'ont pas les caractéristiques qui leur permettent d'opérer en toute sécurité dans les équipements Hatco.

DANGER D'INCENDIE :

- Placez l'unité à au moins 25 mm (1") de murs ou de matières inflammables. Si ces distances de sécurité ne sont pas respectées, une décoloration ou une combustion peut se produire.
- N'installez pas d'ampoule d'une puissance supérieure à celle indiquée sur l'étiquette de spécification de l'appareil.

S'assurer que la nourriture a été chauffée à une température adaptée à une alimentation saine avant de la placer sur l'appareil. Le non-chauffage des aliments à une température appropriée peut poser un grand risque pour la santé. Cet appareil n'est destiné qu'à maintenir des aliments préchauffés au chaud.

⚠ AVERTISSEMENT

Hatco Corporation n'est pas responsable de la température réelle à laquelle les aliments sont servis. Il est de la responsabilité de l'utilisateur de s'assurer que les produits alimentaires sont maintenus et servis à une température sans danger.

Cet appareil ne doit pas être utilisé par des enfants ou des personnes avec des capacités physiques, sensorielles ou mentales diminuées. Assurez-vous que les enfants sont bien surveillés et tenez-les à l'écart de l'appareil.

Assurez-vous que tous les opérateurs ont été formés à l'utilisation sûre et correcte de l'appareil.

Cet appareil ne contient aucune pièce réparable par l'utilisateur. Si cet appareil doit être réparé, contacter un réparateur Hatco agréé ou le Service après-vente Hatco au +1 800-558-0607 ou +1 414-671-6350 ; télécopieur +1 800-690-2966; télécopieur internationale +1 414-671-3976.

⚠ ATTENTION

DANGER DE BRÛLURE : Certaines surfaces extérieures de l'appareil deviennent chaudes. Toucher ces zones de l'appareil avec précaution.

Placez l'unité à une hauteur adaptée au comptoir, à un emplacement pratique à utiliser. L'emplacement doit être plan pour éviter que l'unité ou son contenu ne tombe accidentellement, et suffisamment solide pour supporter le poids de l'unité et de son contenu.

S'assurer de nettoyer et de désinfecter correctement la surface en pierre après avoir nettoyé la surface en profondeur avec des abrasifs et avant de placer des aliments sur l'appareil.

AVIS

Les dommages à toute partie du comptoir pouvant être causés par la chaleur générée par l'équipement de Hatco ne sont pas couverts par la garantie de Hatco. Contactez le fabricant du comptoir pour obtenir des renseignements.

Ne soulevez ni ne portez l'appareil par l'abat-jour ou son bras de support. Soulevez l'appareil uniquement par sa base.

Maintenez l'appareil dans la position verticale lors du transport et de l'installation.

Ne couchez pas l'unité sur le côté comportant le panneau de commande. L'unité pourrait être endommagée.

Ne placez pas l'appareil dans un endroit où la circulation de l'air est trop forte. Évitez les zones pouvant être soumises à des mouvements d'air ou à des courants d'air actifs (comme à proximité de ventilateurs d'échappement/de hottes d'aspiration, de conduites de climatisation et de portes extérieures).

Utilisez seulement des nettoyants non abrasifs et des chiffons doux. Les chiffons et nettoyant abrasifs pourraient érafler la finition de l'unité, entachant son apparence et la rendant susceptible à l'accumulation de saleté.

DESCRIPTION DU MODÈLE

Français

Tous les modèles

Toutes les plaques chauffantes circulaires avec lampe décorative Glo-Ray® de Hatco sont idéales pour les buffets et pour présenter les hors d'œuvre. Les plaques chauffantes en pierre sont uniques, constituées d'une surface solide imitation pierre et disponibles en plusieurs couleurs. La lampe décorative est disponible en plusieurs couleurs Designer et constitue une source d'éclairage et de chaleur supplémentaire pour le produit placé en dessous.

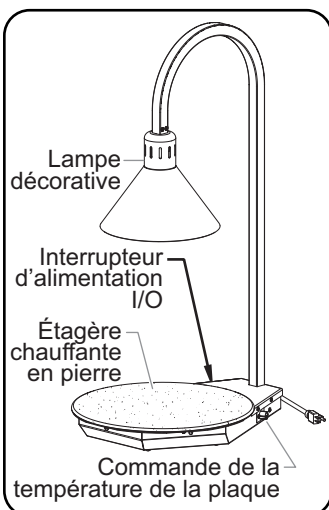
L'équipement standard inclut un interrupteur d'alimentation I/O (marche/arrêt) éclairé, une lampe décorative avec une ampoule infrarouge de 250 watts, une plaque chauffante en pierre dotée d'un thermostat, une base en acier peinte et un cordon d'alimentation de 1 829 mm (6') avec prise.

Une lampe décorative haute puissance est disponible pour tous les modèles 120 V et est équipée d'une ampoule chauffante infrarouge de 375 watts.

NOTA: Se référer à la partie OPTIONS ET ACCESSOIRES de ce manuel pour connaître les options et accessoires disponibles.

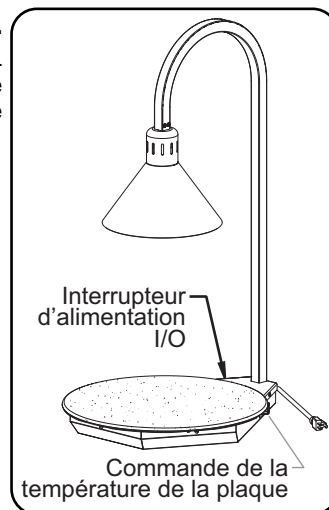
Modèle GRSSR16-DL

Le modèle GRSSR16-DL dispose d'une plaque chauffante en pierre de 406 mm (16") de diamètre.



Modèle GRSSR18-DL

Le modèle GRSSR18-DL dispose d'une plaque chauffante en pierre de 457 mm (18") de diamètre.

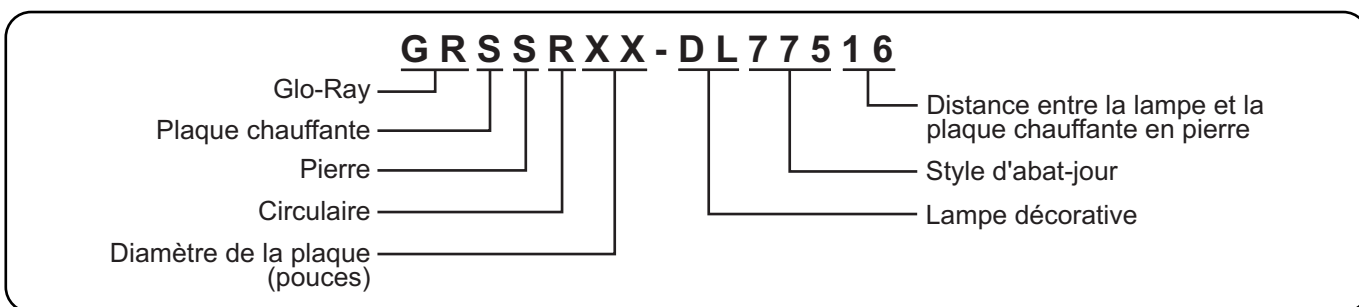


Modèle GRSSR20-DL

Le modèle GRSSR20-DL dispose d'une plaque chauffante en pierre de 508 mm (20") de diamètre.



DÉSIGNATION DU MODÈLE



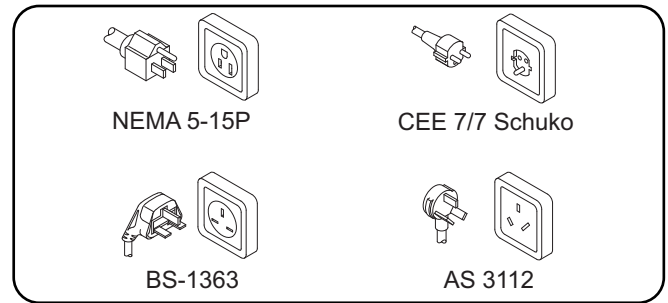
Configuration des fiches

Les appareils sont livrés avec un cordon électrique avec fiche. Différentes fiches sont fournies selon la application.

AVERTISSEMENT

DANGER DE DÉCHARGE ÉLECTRIQUE : Brancher l'appareil sur une prise de courant avec terre de tension, de format et de configuration des broches corrects. Si la fiche et la prise ne se correspondent pas, s'adresser à un électricien qualifié pour déterminer et installer une prise de courant de format et de tension corrects.

NOTA: Étiquette de spécification située à l'intérieur de la lampe décorative. Consultez l'étiquette pour connaître le numéro de série et vérifier les caractéristiques électriques de l'appareil.



Configuration des fiches

NOTA: Prise non fournie par Hatco.

Tableau des valeurs nominales électriques

Modèle	Tension	Intensité	Amps	Configuration de Fiches	Poids d'embarquement
GRSSR16-DL (ampoule standard)	120	500	4.2	NEMA 5-15P	12 kg (27 lbs.)
(ampoule haute puissance)	120	625	5.2	NEMA 5-15P	12 kg (27 lbs.)
GRSSR18-DL (ampoule standard)	120	575	4.8	NEMA 5-15P	14 kg (30 lbs.)
(ampoule haute puissance)	120	700	5.8	NEMA 5-15P	14 kg (30 lbs.)
GRSSR20-DL (ampoule standard)	100	450	4.5	NEMA 5-15P	15 kg (32 lbs.)
(ampoule standard)	120	650	5.4	NEMA 5-15P	15 kg (32 lbs.)
(ampoule standard)	220–230 (CE)	550–600	2.5–2.6	CEE 7/7 Schuko	15 kg (32 lbs.)
(ampoule standard)	230–240 (CE)	600–650	2.6–2.7	BS-1363, AS 3112	15 kg (32 lbs.)
(ampoule haute puissance)	100	530	5.3	NEMA 5-15P	15 kg (32 lbs.)
(ampoule haute puissance)	120	775	6.4	NEMA 5-15P	15 kg (32 lbs.)

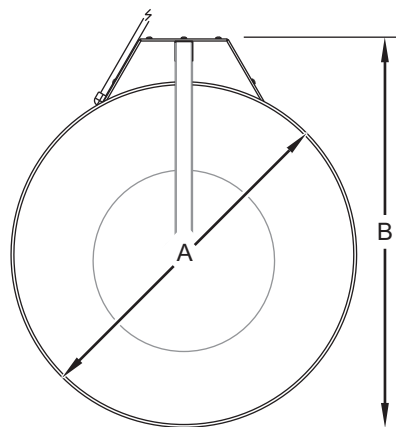
Les zones ombrées contiennent des informations électriques pour **les modèles internationaux uniquement**.

NOTA: Le poids d'embarquement comprend l'emballage.

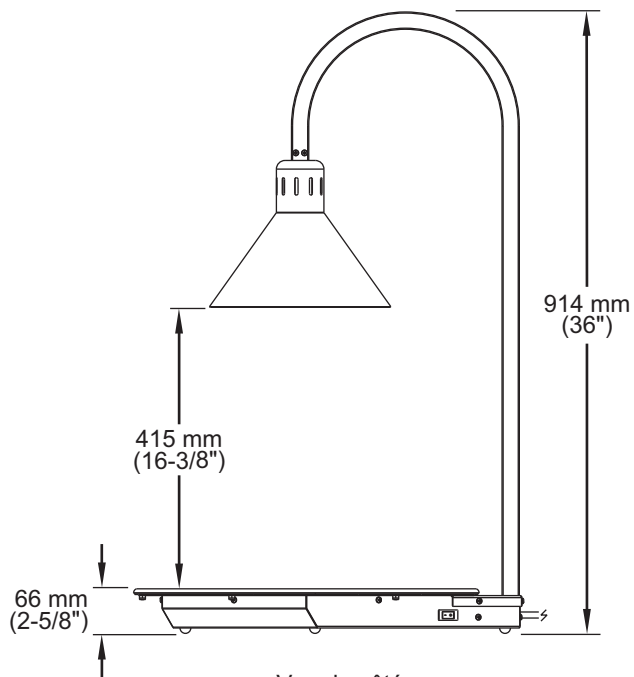
Dimensions

Modèle	Diamètre (A)	Profondeur (B)
GRSSR16-DL	406 mm (16")	521 mm (20-1/2")
GRSSR18-DL	457 mm (18")	546 mm (21-1/2")
GRSSR20-DL	508 mm (20")	571 mm (22-1/2")

GRSSR20-DL est représenté



Vue de dessus



Vue de côté

Généralités

La plaque chauffante circulaire en pierre avec lampe décorative Glo-Ray® est pré-assemblée avant expédition et prête à l'emploi. Veillez à ne pas endommager l'appareil et les composants qu'il renferme lors du déballage du carton d'expédition. Utilisez la procédure suivante pour installer une plaque chauffante circulaire en pierre avec lampe décorative.

⚠ AVERTISSEMENT

DANGER DE DÉCHARGE ÉLECTRIQUE : L'appareil n'est pas à l'épreuve des intempéries. Placer l'appareil à l'intérieur à une température ambiante de 21°C minimum.

DANGER D'INCENDIE : Placer l'appareil à un minimum de 25 mm des parois et matières combustibles. Si une distance sûre n'est pas maintenue, la chaleur peut provoquer une combustion ou une altération de couleur.

⚠ ATTENTION

Placez l'unité à une hauteur adaptée au comptoir, à un emplacement pratique à utiliser. L'emplacement doit être plan pour éviter que l'unité ou son contenu ne tombe accidentellement, et suffisamment solide pour supporter le poids de l'unité et de son contenu.

AVIS

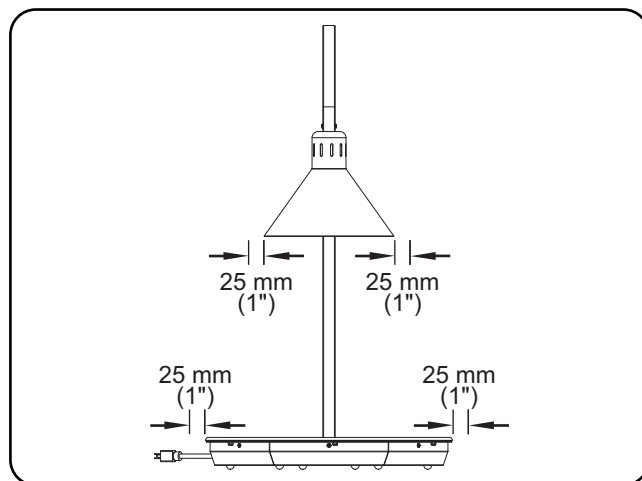
Ne soulevez ni ne portez l'appareil par l'abat-jour ou son bras de support. Soulevez l'appareil uniquement par sa base.

Maintenez l'appareil dans la position verticale lors du transport et de l'installation.

1. Retirer l'appareil de sa boîte.

NOTA: Pour éviter des retards dans l'obtention de la couverture de la garantie, complétez l'enregistrement en ligne de votre garantie. Lisez la section INFORMATIONS IMPORTANTES POUR LE PROPRIÉTAIRE pour plus de détails.

2. Retirer le ruban et le film de protection de toutes les surfaces de l'appareil.
3. Placer l'appareil à l'endroit souhaité.
 - Placez l'appareil dans une zone où la température ambiante est toujours de 21°C (70°F) minimum. Évitez les zones situées dans les courants d'air (par exemple à proximité d'une porte extérieure, des ventilateurs d'échappement/ hottes, des conduites de climatisation, etc.).
 - S'assurer que l'appareil est sur un plan de travail de hauteur correcte à un endroit qui convient pour son utilisation.
 - S'assurer que le plan de travail est de niveau et suffisamment solide pour résister au poids de l'appareil et des produits alimentaires.
 - Vérifier que tous les pieds sous l'appareil reposent solidement sur le plan de travail.



Exigences minimales de dégagement

4. Monter les accessoires qui accompagnent l'appareil. Pour plus de détails, se reporter à la partie OPTIONS ET ACCESSOIRES.

Généralités

Utilisez la procédure suivante pour allumer et utiliser une plaque chauffante circulaire en pierre avec lampe décorative Glo-Ray®.

⚠ AVERTISSEMENT

Lire tous les messages de sécurité de la section Consignes de sécurité importantes avant d'utiliser ce matériel.

S'assurer de nettoyer et de désinfecter correctement la surface en pierre après avoir nettoyé la surface en profondeur avec des abrasifs et avant de placer des aliments sur l'appareil.

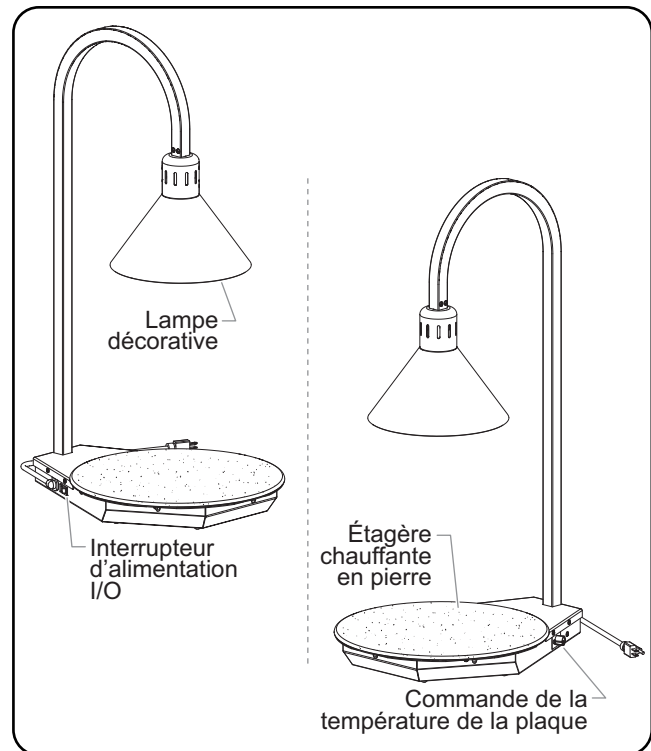
Allumage

1. Nettoyer et désinfecter les surfaces en pierre en utilisant un tissu propre et humide, et un désinfectant agréé pour les surfaces en contact avec des aliments.
2. Brancher l'appareil sur une prise électrique correctement mise à la terre du type, de la taille et de la tension corrects. Voir des détails à la section CARACTÉRISTIQUES TECHNIQUES.
3. Placer l'interrupteur d'alimentation I/O (marche/arrêt) sur l (marche).
 - La lampe décorative s'allume et la plaque chauffante en pierre commence à chauffer.

⚠ ATTENTION

DANGER DE BRÛLURE : Certaines surfaces extérieures de l'appareil deviennent chaudes. Toucher ces zones de l'appareil avec précaution.

4. Tournez la commande de la température de la plaque pour choisir le réglage de température souhaité.
 - Tournez le bouton de commande de la température de la plaque dans le sens des aiguilles d'une montre pour augmenter le réglage de température. Tournez le bouton de commande de la température de la plaque dans le sens inverse des aiguilles d'une montre pour baisser le réglage de température.
5. Attendre 30 minutes que l'appareil ait le temps d'atteindre sa température d'exploitation avant d'y placer le produit alimentaire préchauffé.



Commandes (modèle GRSSR16-DL illustré)

Arrêt

1. Réglez l'interrupteur d'alimentation I/O (marche / arrêt) en position « O » (arrêt).
 - La lampe décorative et la plaque chauffante en pierre s'éteignent.
2. Effectuez la procédure de « Nettoyage quotidien » décrite dans la section MAINTENANCE de ce manuel.

Généralités

Les plaques chauffantes circulaires avec lampe décorative Glo-Ray de Hatco sont conçues pour une durabilité et des performances maximum, avec un entretien minimum.

AVERTISSEMENT

DANGER DE DÉCHARGE ÉLECTRIQUE :

- Mettez l'unité hors tension depuis l'interrupteur, débranchez le cordon d'alimentation et laissez l'unité refroidir avant d'effectuer tout nettoyage, tout réglage ou tout entretien.
- NE PAS immerger l'appareil ni le saturer d'eau. L'appareil n'est pas étanche à l'eau. Ne pas le faire fonctionner s'il a été immergé ou saturé d'eau.
- Cet appareil n'est pas étanche aux jets. Ne pas utiliser de jet sous pression pour nettoyer l'appareil.
- Ne pas nettoyer à la vapeur ni utiliser trop d'eau sur l'appareil.
- Utilisez uniquement des pièces de rechange d'origine Hatco lorsque l'entretien est nécessaire. Utilisez des pièces détachées Hatco authentiques sous peine d'annuler toutes les garanties et d'exposer l'utilisateur à des tensions électriques dangereuses pouvant entraîner une électrocution ou des brûlures. Les pièces de rechange authentiques Hatco sont spécifiées pour fonctionner en toute sécurité dans les environnements dans lesquels elles sont utilisées. Certaines pièces de rechange génériques ou d'après-vente n'ont pas les caractéristiques qui leur permettent d'opérer en toute sécurité dans les équipements Hatco.

Cet appareil ne contient aucune pièce réparable par l'utilisateur. Si cet appareil doit être réparé, contacter un réparateur Hatco agréé ou le Service après-vente Hatco au +1 800-558-0607 ou +1 414-671-6350 ; télécopieur +1 800-690-2966; télécopieur internationale +1 414-671-3976.

Nettoyage quotidien

Pour préserver la finition de l'appareil et maintenir la performance, il est recommandé de nettoyer tous les jours l'appareil.

AVIS

Utilisez seulement des nettoyants non abrasifs et des chiffons doux. Les chiffons et nettoyant abrasifs pourraient érafler la finition de l'unité, entachant son apparence et la rendant susceptible à l'accumulation de saleté.

1. Avant d'allumer l'appareil chaque jour, nettoyer et désinfecter les surfaces de pierre à l'aide d'un chiffon propre et humide et un désinfectant approuvé pour les surfaces de contact alimentaire. Si un nettoyage supplémentaire est nécessaire, reportez-vous à la section «Nettoyage de la surface de la pierre» informations de cette section.
2. À la fin de chaque jour:
 - a. Placez l'interrupteur d'alimentation I/O (marche/arrêt) sur la position O (arrêt), débranchez le cordon d'alimentation et laissez l'unité refroidir.
 - b. Essuyez l'abat-jour avec un chiffon propre, doux et humecté d'eau. Les taches tenaces peuvent être effacées avec un détergent doux et non abrasif.
 - c. Nettoyer et désinfecter les surfaces en pierre en utilisant un tissu propre et humide, et un désinfectant agréé pour les surfaces en contact avec des aliments. Si un nettoyage supplémentaire est nécessaire, se référer aux informations « Nettoyer la surface en pierre » de cette partie.

NOTA: Pour remédier aux taches inégales et aux décolorations, se référer aux informations « Nettoyer la surface en pierre » de cette partie.

- d. Essuyez toutes les surfaces métalliques à l'aide d'un chiffon propre humide non abrasif.
- e. Séchez à l'aide d'un chiffon propre non abrasif.

Nettoyer la surface en pierre

Une utilisation appropriée du produit telle que mentionnée ci-dessous n'endommagera pas la surface en pierre (suivez les instructions sur les étiquettes du produit).

NOTA: Les surfaces en pierre sont en pierre artificielle.

ATTENTION

Veillez à nettoyer et désinfecter correctement les étagères chauffantes en pierre après l'utilisation d'abrasifs pour un nettoyage en profondeur de la surface, avant de placer un produit alimentaire sur l'unité.

Taches tenaces

Pour les taches tenaces, utiliser la compresse abrasive fournie ainsi qu'un nettoyant abrasif comme Ajax®, Comet®, Bon Ami®, ou Bar Keeper's Friend®. Des compresses abrasives supplémentaires sont disponibles auprès de Hatco (P/N 04.39.049.00). **AVIS : Utiliser uniquement la compresse abrasive fournie sur la surface en pierre.**

NOTE: Ne pas utiliser de laine d'acier ou de compresse de décapage en métal.

Taches minérales

Pour une tache minérale, il est recommandé d'utiliser des nettoyants conçus pour nettoyer le fer ou la rouille qui n'endommageront pas la surface en pierre.

Rayures

Pour les rayures, utiliser du papier de verre en commençant par les plus gros grains de poussière, puis en passant aux plus fins, jusqu'à ce que les rayures disparaissent. Passer la compresse abrasive fournie sur toute la surface.

Remplacement d'une ampoule infrarouge

Chaque plaque chauffante circulaire en pierre avec lampe décorative Glo-Ray contient une ampoule infrarouge de 250 W ou 375 W (120 V uniquement). Appliquez la procédure suivante pour remplacer une ampoule infrarouge.

AVERTISSEMENT

DANGER D'INCENDIE: N'installez pas d'ampoule d'une puissance supérieure à celle indiquée sur l'étiquette de spécification de l'appareil.

1. Pour changer une ampoule, placez l'interrupteur d'alimentation I/O (marche/arrêt) sur la position O (arrêt), débranchez le cordon d'alimentation et laissez l'ampoule refroidir complètement.
2. Dévissez l'ampoule de l'appareil et remplacez-la avec une ampoule neuve.

NOTA: Consultez la section « Options et accessoires » de ce manuel pour connaître les ampoules infrarouges de rechange disponibles auprès de Hatco.

⚠ AVERTISSEMENT

La réparation de cet appareil doit être confiée exclusivement à du personnel qualifié. Les réparations par des personnes non qualifiées peuvent provoquer des décharges électriques et des brûlures.

⚠ AVERTISSEMENT

DANGER DE DÉCHARGE ÉLECTRIQUE: Mettez l'unité hors tension depuis l'interrupteur, débranchez le cordon d'alimentation et laissez l'unité refroidir avant d'effectuer tout nettoyage, tout réglage ou tout entretien.

Symptôme	Cause Probable	Solution
Appareil trop chaud.	La commande de la température de la plaque est réglée à un niveau trop élevé.	Baisser le réglage de la température.
	Appareil branché sur une alimentation inadaptée.	Assurez-vous auprès d'un personnel qualifié que l'alimentation correspond aux spécifications de l'appareil.
	La commande de température de la plaque est défectueuse.	Contactez votre agent de maintenance agréé ou Hatco.
Appareil pas assez chaud.	La commande de la température de la plaque est réglée à un niveau trop faible.	Augmenter le réglage de la température.
	L'appareil est exposé à des courants d'air (par exemple à proximité d'une porte extérieure, des ventilateurs d'échappement/hottes, des conduites de climatisation, etc.).	Éliminer les courants d'air ou déplacez l'appareil.
L'appareil ne fonctionne pas du tout.	Appareil non branché.	Brancher l'appareil sur une alimentation adéquate.
	L'appareil n'a pas été mis sous tension.	Placer l'interrupteur de marche/arrêt sur Marche.
	Interrupteur d'alimentation I/O (marche/arrêt) défectueux.	Contactez votre agent de maintenance agréé ou Hatco.
	La commande de température de la plaque est défectueuse.	Contactez votre agent de maintenance agréé ou Hatco.
	Élément chauffant de la base grillé.	Contactez votre agent de maintenance agréé ou Hatco.
La matière de la surface en pierre est tachée, décolorée ou est maculée/décolorée par endroits.	La surface en pierre n'a pas été nettoyée correctement.	Nettoyer la surface en suivant les informations "Nettoyage de la surface en pierre" à la section ENTRETIEN de ce manuel. Si ces méthodes ne parviennent pas à fournir des résultats acceptables, contactez Hatco pour obtenir une assistance.
L'ampoule infrarouge ne s'allume pas.	L'ampoule est défectueuse ou a grillé.	Remplacez l'ampoule infrarouge.

Vous avez des questions en ce qui concerne les pannes ?

Si le problème persiste, veuillez contacter l'agence d'entretien agréée Hatco la plus proche ou Hatco pour obtenir une assistance. Pour trouver l'agence d'entretien la plus proche, rendez-vous sur le site Internet de Hatco (www.hatcocorp.com) et cliquez sur Trouver un agent d'entretien, ou contactez l'équipe d'entretien et de pièces détachées de Hatco :

Numéro de téléphone: 800-558-0607 ou 414-671-6350

Courriel: partsandservice@hatcocorp.com

Télécopie: 800-690-2966 ou 414-671-3976

Ampoules infrarouges

Les ampoules infrarouges suivantes sont disponibles et compatibles avec les lampes décoratives Hatco.

Les ampoules puissance standard

250 W, 120 V, rouge, avec revêtement	02.30.068.00
250 W, 120 V, transparente, avec revêtement	02.30.069.00
250 W, 120 V, rouge, sans revêtement	02.30.070.00
250 W, 120 V, transparente, sans revêtement	02.30.071.00
250 W, 240 V (CE), transparente, avec revêtement	02.30.100.00
250 W, 240 V (CE), transparente, sans revêtement	02.30.083.00

Les ampoules haute puissance

375 W, 120 V, transparente, sans revêtement	02.30.093.00
375 W, 120 V, rouge, sans revêtement	02.30.094.00
375 W, 120 V, transparente, avec revêtement	02.30.097.00
375 W, 120 V, rouge, avec revêtement	02.30.098.00

Planche à découper

La planche à découper est équipée de pieds en caoutchouc dans sa partie inférieure pour pouvoir être placée au-dessus de la surface chauffante en pierre.

La planche à découper est composée du même matériau que la surface chauffante en pierre et est disponible dans les mêmes couleurs.

NOTA: Reportez-vous à la section MAINTENANCE pour consulter les procédures de nettoyage.

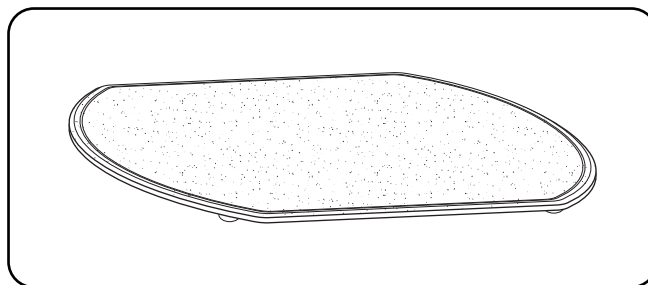
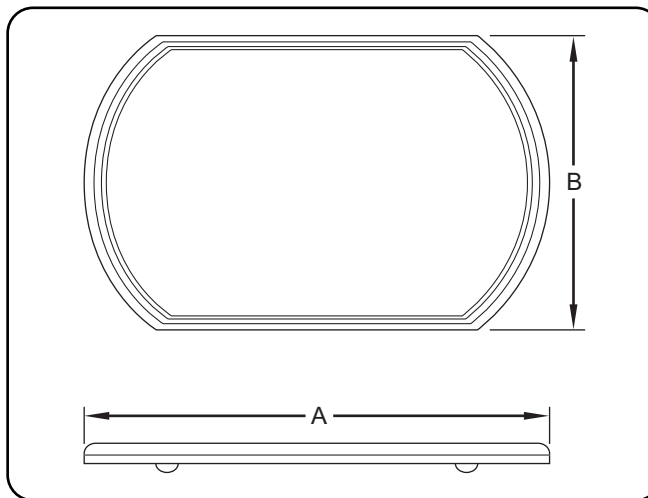


Planche à découper

Dimensions de la planche à découper

Modèle	Largeur (A)	Profondeur (B)
GRSSR16-DL	432 mm (17")	298 mm (11-3/4")
GRSSR18-DL	483 mm (19")	349 mm (13-3/4")
GRSSR20-DL	533 mm (21")	400 mm (15-3/4")



Dimensions de la planche à découper

1. GARANTIE DU PRODUIT

Hatco garantit que les produits qu'il fabrique (les « Produits ») sont exempts de défauts de matériel et de fabrication, dans des conditions normales d'utilisation et de maintenance, pour une période d'un (1) an à partir de la date d'achat à condition que l'appareil soit installé et entretenu conformément aux instructions écrites de Hatco ou 18 mois après la date de l'expédition par Hatco. L'acheteur doit prouver la date d'achat du Produit par l'enregistrement du produit auprès de Hatco ou par d'autres moyens satisfaisants pour Hatco, à sa seule discrétion.

Hatco garantit que les composants du Produit suivants sont exempts de défauts de matériel et de fabrication à partir de la date d'achat (sous réserve des conditions précédentes) pour la ou les périodes de temps et en fonction des conditions listées ci-dessous :

a) Garantie d'un (1) an pour les pièces et la main-d'œuvre PLUS un an (1) supplémentaire pour les pièces uniquement :

- Éléments du grille-pain à convoyeur (enveloppe métallique)
- Éléments des tiroirs chauffants (enveloppe métallique)
- Tiroirs, roues et glissières des tiroirs chauffants
- Éléments des rampes chauffantes (enveloppe métallique)
- Éléments des vitrines chauffantes
(enveloppe métallique, air chauffant)
- Éléments des armoires de stockage
(enveloppe métallique, air chauffant)
- Éléments des compartiments chauffants —
série HW et HWB (enveloppe métallique)

b) Garantie d'un (1) an pour les pièces et la main-d'œuvre PLUS quatre (4) ans pour les pièces uniquement :

Cuves 3CS et FR

c) Garantie d'un (1) an pour les pièces et la main-d'œuvre PLUS neuf (9) ans pour les pièces uniquement :

Cuves des appareils de chauffage d'appoint électriques
Cuves des appareils de chauffage d'appoint à gaz

d) Garantie de quatre-vingt-dix (90) jours pour les pièces uniquement :

Pièces de rechange

LES GARANTIES PRÉCÉDENTES SONT EXCLUSIVES ET REMPLACENT TOUTES AUTRES GARANTIES, EXPRESSES OU IMPLICITES, COMPRENANT, MAIS NE SE LIMITANT PAS À, TOUTES GARANTIES IMPLICITES DE QUALITÉ MARCHANDE OU DE FINALITÉ PARTICULIÈRE OU TOUS BREVETS OU TOUTES AUTRES ATTEINTES AUX DROITS DE LA PROPRIÉTÉ INTELLECTUELLE. Sans restreindre la portée générale des énoncés précédents, CES GARANTIES NE COUVRENT PAS : Ampoules d'éclairage à incandescence enduites, lumières fluorescentes, ampoules de lampes chauffantes, ampoules d'éclairage à halogène enduites, ampoules de lampes chauffantes au xénon, tubes d'éclairage DEL, composants en verre et fusibles ; défaut de produit dans la cuve d'un appareil de chauffage d'appoint, dans un échangeur de chaleur à tubes à ailettes ou tout autre équipement de chauffage d'eau causé par la calcification, l'accumulation de sédiments, la réaction d'un produit chimique ou le gel ; ou une mauvaise utilisation, une manipulation ou une mauvaise application, une installation inappropriée du Produit ou l'utilisation d'une tension inappropriée.

2. LIMITES DES RECOURS ET DES DOMMAGES

La responsabilité de Hatco et la seule voie de recours de l'Acheteur prévues par les présentes seront limitées exclusivement, au gré de Hatco, à la réparation ou au remplacement à l'aide de pièces ou de Produits nouveaux ou remis à neuf par Hatco ou un centre de réparation agréé par Hatco (sauf si l'Acheteur se situe hors des États-Unis, du Canada, du Royaume-Uni ou de l'Australie, auquel cas la responsabilité de Hatco et la seule voie de recours de l'Acheteur seront limitées exclusivement au remplacement des pièces concernées par la garantie) à l'égard de toute revendication effectuée dans les délais de garantie applicables mentionnés ci-dessus. Hatco se réserve le droit d'accepter ou de rejeter toute réclamation en partie ou dans son intégralité. Dans le cadre de cette Garantie limitée, « remis à neuf » signifie une pièce ou un Produit dont les caractéristiques techniques d'origine ont été restaurées par Hatco ou un centre de réparation agréé par Hatco. Hatco n'acceptera aucun retour de Produits sans qu'il n'ait auparavant donné son accord écrit, et tous ces retours approuvés doivent être effectués aux seuls frais de l'Acheteur. HATCO NE SERA PAS TENU RESPONSABLE, DANS AUCUNE CIRCONSTANCE, DES DOMMAGES CONSÉCUTIFS OU INDIRECTS, COMPRENANT, MAIS NE SE LIMITANT PAS À, LES COÛTS DE MAIN-D'ŒUVRE OU PERTES DE PROFITS DUS À UNE UTILISATION OU À UNE IMPOSSIBILITÉ D'UTILISER LES PRODUITS OU DUS AU FAIT QUE LES PRODUITS ONT ÉTÉ INTÉGRÉS DANS OU QU'ILS SONT DEVENUS UN COMPOSANT DE TOUT AUTRE PRODUIT OU BIEN.

AUTHORIZED PARTS DISTRIBUTORS • AUTORISÉS DISTRIBUTEURS DE PIÈCES

ALABAMA

Jones McLeod Appl. Svc.
Birmingham 205-251-0159

ARIZONA

Service Solutions Group
Phoenix 602-234-2443

Byassee Equipment Co.
Phoenix 602-252-0402

CALIFORNIA

Industrial Electric
Commercial Parts & Service, Inc.
Huntington Beach 714-379-7100

Chapman Appl. Service
San Diego 619-298-7106

P & D Appliance
Commercial Parts & Service, Inc.
S. San Francisco 650-635-1900

COLORADO

Hawkins Commercial Appliance
Englewood 303-781-5548

FLORIDA

Whaley Foodservice Repair
Jacksonville 904-725-7800

Whaley Foodservice Repair
Orlando 407-757-0851

B.G.S.I.
Pompano Beach 954-971-0456

Comm. Appliance Service
Tampa 813-663-0313

GEORGIA

TWC Services
Mableton 770-438-9797

Heritage Service Group
Norcross 866-388-9837

Southeastern Rest. Svc.
Norcross 770-446-6177

HAWAII

Burney's Comm. Service, Inc.
Honolulu 808-848-1466

Food Equip Parts & Service
Honolulu 808-847-4871

ILLINOIS

Parts Town
Lombard 708-865-7278

Eichenauer Elec. Service
Decatur 217-429-4229

Midwest Elec. Appl. Service
Elmhurst 630-279-8000

Cone's Repair Service
Moline 309-797-5323

INDIANA

GCS Service
Indianapolis 800-727-8710

IOWA

Goodwin Tucker Group
Des Moines 515-262-9308

KENTUCKY

Service Solutions Group
Lexington 859-254-8854

Service Solutions Group
Louisville 502-451-5411

LOUISIANA

Chandlers Parts & Service
Baton Rouge 225-272-6620

MARYLAND

Electric Motor Service
Baltimore 410-467-8080

GCS Service
Silver Spring 301-585-7550

MASSACHUSETTS

Ace Service Co., Inc.
Needham 781-449-4220

MICHIGAN

Bildons Appliance Service
Detroit 248-478-3320

Commercial Kitchen Service
Bay City 989-893-4561

Midwest Food Equip. Service
Grandville 616-261-2000

MINNESOTA

GCS Service
Minnetonka 800-822-2303
x20365

MISSOURI

General Parts
Kansas City 816-421-5400

Commercial Kitchen Services
St. Louis 314-890-0700

Kaemmerlen Parts & Service
St. Louis 314-535-2222

NEBRASKA

Anderson Electric
Omaha 402-341-1414

NEVADA

Burney's Commercial
Las Vegas 702-736-0006

Hi. Tech Commercial Service
N. Las Vegas 702-649-4616

NEW JERSEY

Jay Hill Repair
Fairfield 973-575-9145

Service Plus
Flanders 973-691-6300

NEW YORK

Acme American Repairs, Inc.
Brooklyn 718-456-6544

Alpro Service Co.
Brooklyn 718-386-2515

Appliance Installation
Buffalo 716-884-7425

Duffy's Equipment Services, Inc.
Buffalo 800-836-1014

3Wire Northern
Plattsburgh 800-634-5005

Duffy's Equipment Services, Inc.
Sauquoit 800-836-1014

J.B. Brady, Inc.
Syracuse 315-422-9271

NORTH CAROLINA

Authorized Appliance
Charlotte 704-377-4501

OHIO

Akron/Canton Comm. Svc. Inc.
Akron 330-753-6634

Service Solutions Group
Cincinnati 513-772-6600

Commercial Parts and Service
Columbus 614-221-0057

Electrical Appl. Repair Service
Brooklyn Heights 216-459-8700

E. A. Wichman Co.
Toledo 419-385-9121

OKLAHOMA

Hagar Rest. Service, Inc.
Oklahoma City 405-235-2184

Krueger, Inc.
Oklahoma City 405-528-8883

OREGON

Ron's Service, Inc.
Portland 503-624-0890

PENNSYLVANIA

Elmer Schultz Services
Philadelphia 215-627-5401

FAST Comm. Appl. Service
Philadelphia 215-288-4800

Appliance Installation & Service
Pittsburgh 412-809-0244

K & D Service Co.
Harrisburg 717-236-9039

Electric Repair Co.
Reading 610-376-5444

RHODE ISLAND

Marshall Electric Co.
Providence 401-331-1163

SOUTH CAROLINA

Whaley Foodservice Repair
Lexington 803-996-9900

TENNESSEE

Camp Electric
Memphis 901-527-7543

TEXAS

GCS Service
Fort Worth 800-433-1804

Armstrong Repair Service
Houston 713-666-7100

Cooking Equipment Specialist
Mesquite 972-686-6666

Commercial Kitchen Repair Co.
San Antonio 210-735-2811

UTAH

La Monica's Rest. Equip. Service
Murray 801-263-3221

VIRGINIA

Daubers
Norfolk 757-855-4097

Daubers
Springfield 703-866-3600

WASHINGTON

3Wire Restaurant Appliance
Seattle 800-207-3146

WISCONSIN

A.S.C., Inc.
Madison 608-246-3160

A.S.C., Inc.
Milwaukee 414-543-6460

CANADA

ALBERTA

Key Food Equipment Service
Edmonton 780-438-1690

BRITISH COLUMBIA

Key Food Equipment Service
Vancouver 604-433-4484

Key Food Equipment Service
Victoria 250-920-4888

MANITOBA

Air Rite, Inc.
Winnipeg 204-895-2300

NEW BRUNSWICK

EMR Services, Ltd.
Moncton 506-855-4228

ONTARIO

R.G. Henderson Ltd.
Toronto 416-422-5580

Choquette - CKS, Inc.
Ottawa 613-739-8458

QUÉBEC

Choquette - CKS, Inc.
Montreal 514-722-2000

Choquette - CKS, Inc.
Québec City 418-681-3944

UNITED KINGDOM

Marren Group
Northants +44(0)1933 665313

HATCO CORPORATION

P.O. Box 340500

Milwaukee, WI 53234-0500 U.S.A.

800-558-0607 414-671-6350

Parts and Service Fax 800-690-2966

International Fax 414-671-3976

partsandservice@hatcocorp.com

www.hatcocorp.com

Register your unit online!

See IMPORTANT OWNER INFORMATION
section for details.

S'inscrire en ligne!

Lisez la section **INFORMATIONS IMPORTANTES**
POUR LE PROPRIÉTAIRE pour plus de informations.