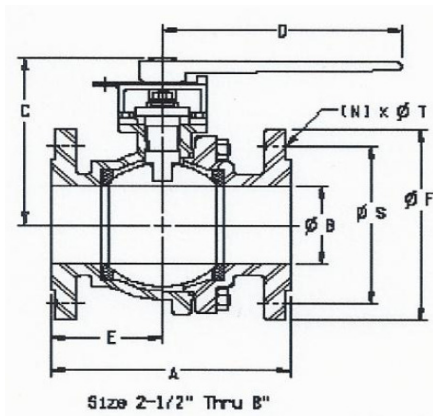




Mikron Valve and Manufacturer Inc.
 (A subsidiary of PSB Industries, Inc)
 1259 West 11th Street
 Erie, PA 16502
 Phone (814) 453-2337
 Fax (814) 452-6371
 Email: joe.caccavo@psbindustries.com
www.mikronvalve.com



Ball Valve - CLASS 600



DESIGN B16.34, API 6D-#6D-0867 (Available)

FACE TO FACE B16.10

FLANGED ENDS ASME B16.5

MATERIALS BODY: ASTM A105, A216, WCB, A479 316, A351 CF8M
 HASTELLOY C276, INCONEL 718, ETC. (CONTACT FACTORY)

OPTIONAL BALL COATINGS HARD CHROME, CHROME CARBIDE, ELECTROLESS NICKEL,
 CHROME OXIDE, NITRIDE

SPECIALTY DESIGN CONTACT FACTORY

Size.....	1/2"	3/4"	1 "	1 1/4"	1 1/2"	2"	2 1/2"	3"	4"	6"	8"	10"	12"
A.	6.50	7.50	8.50	CF	9.50	11.50	13.00	14.00	17.00	22.00	CF	CF	CF
B.	.50	.75	1.00	CF	1.50	2.00	2.50	3.00	4.00	6.00	CF	CF	CF
F.	3.75	4.62	4.88	CF	6.12	6.50	7.50	8.25	10.75	14.00	CF	CF	CF
N.	4	4	4	CF	4	8	8	8	8	12	CF	CF	CF
S.	2.62	3.25	3.50	CF	4.50	5.00	5.88	6.62	8.50	11.50	CF	CF	CF
T.	.625	.75	.75	CF	.875	.75	.875	.875	1	1.125	CF	CF	CF
Cv.	CF	CF	CF	CF	CF	CF	CF	CF	CF	CF	CF	CF	CF
Weight (Approx.)lbs	CF	CF	CF	CF	CF	CF	CF	CF	CF	CF	CF	CF	CF

