



(12) **United States Design Patent**  
**Andre et al.**

(10) **Patent No.:** **US D618,677 S**  
(45) **Date of Patent:** **\*\* \*Jun. 29, 2010**

(54) **ELECTRONIC DEVICE**

(75) Inventors: **Bartley K. Andre**, Menlo Park, CA (US); **Daniel J. Coster**, San Francisco, CA (US); **Daniele De Iuliis**, San Francisco, CA (US); **Richard P. Howarth**, San Francisco, CA (US); **Jonathan P. Ive**, San Francisco, CA (US); **Steve Jobs**, Palo Alto, CA (US); **Duncan Robert Kerr**, San Francisco, CA (US); **Shin Nishibori**, Portola Valley, CA (US); **Matthew Dean Rohrbach**, San Francisco, CA (US); **Douglas B. Satzger**, Menlo Park, CA (US); **Calvin Q. Seid**, Palo Alto, CA (US); **Christopher J. Stringer**, Woodside, CA (US); **Eugene Antony Whang**, San Francisco, CA (US); **Rico Zorkendorfer**, San Francisco, CA (US)

(73) Assignee: **Apple Inc.**, Cupertino, CA (US)

(\* ) Notice: This patent is subject to a terminal disclaimer.

(\*\*) Term: **14 Years**

(21) Appl. No.: **29/328,018**

(22) Filed: **Nov. 18, 2008**

**Related U.S. Application Data**

(60) Division of application No. 29/282,834, filed on Jul. 30, 2007, now Pat. No. Des. 581,922, which is a continuation of application No. 29/270,888, filed on Jan. 5, 2007, now Pat. No. Des. 558,758.

(51) **LOC (9) Cl.** ..... **14-02**

(52) **U.S. Cl.** ..... **D14/341; D14/248; D14/203.7**

(58) **Field of Classification Search** ..... **D14/341, D14/342, 343, 344, 345, 346, 347, 420, 426, D14/427, 432, 439, 440, 441, 448, 496, 125, D14/137, 129, 130, 138, 250, 389, 147, 218, D14/247, 248, 156; D10/65, 104; D13/168; D18/6, 7; D21/329, 686; 455/90.3, 556.1, 455/556.2, 575.1, 575.3, 575.4; 379/433.01, 379/433.04, 433.06, 433.07; 361/814; 341/22; 345/169, 173; D6/596, 601, 605**

See application file for complete search history.

(56) **References Cited**

**U.S. PATENT DOCUMENTS**

D289,873 S 5/1987 Gemmell et al.

(Continued)

**FOREIGN PATENT DOCUMENTS**

EM 000569157-0005 5/2006

(Continued)

**OTHER PUBLICATIONS**

U.S. Appl. No. 29/282,831, Andre et al., Electronic Device, filed Jul. 30, 2007.

(Continued)

*Primary Examiner*—Cathron C Brooks

*Assistant Examiner*—Angela J Lee

(74) *Attorney, Agent, or Firm*—Sterne, Kessler, Goldstein & Fox PLLC

(57) **CLAIM**

The ornamental design of an electronic device, as shown and described.

**DESCRIPTION**

FIG. 1 is a front perspective view of an electronic device in accordance with the present invention;

FIG. 2 is a rear perspective view thereof;

FIG. 3 is a front view thereof;

FIG. 4 is a rear view thereof;

FIG. 5 is a top view thereof;

FIG. 6 is bottom view thereof;

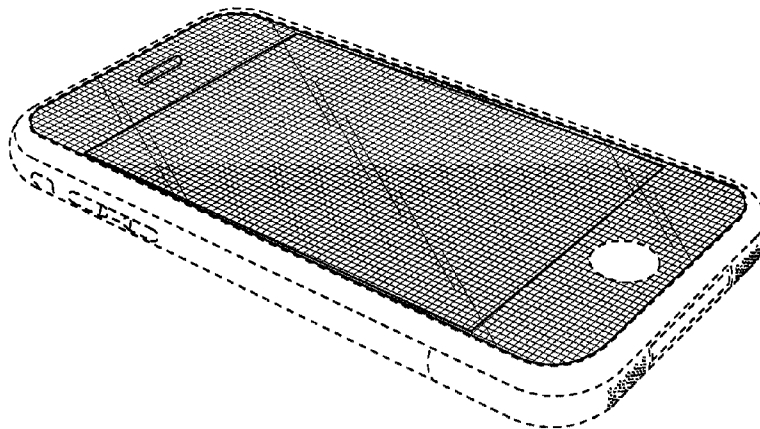
FIG. 7 is a left side view thereof; and,

FIG. 8 is a right side view thereof.

The claimed surface of the electronic device is illustrated with the color designation for the color black.

The electronic device is not limited to the scale shown herein. As indicated in the title, the article of manufacture to which the ornamental design has been applied is an electronic device, media player (e.g., music, video and/or game player), media storage device, a personal digital assistant, a communication device (e.g., cellular phone), a novelty item or toy.

**1 Claim, 2 Drawing Sheets**



U.S. PATENT DOCUMENTS

D337,569 S 7/1993 Kando  
D410,440 S \* 6/1999 Carnell ..... D14/346  
D424,535 S 5/2000 Peltola  
D455,433 S \* 4/2002 Alviar et al. .... D14/441  
D456,023 S 4/2002 Andre et al.  
D458,252 S \* 6/2002 Palm et al. .... D14/343  
D469,413 S \* 1/2003 To et al. .... D14/126  
D489,731 S 5/2004 Huang  
D498,754 S 11/2004 Blyth  
D499,423 S 12/2004 Bahroocha et al.  
D502,173 S 2/2005 Jung et al.  
D504,889 S 5/2005 Andre et al.  
D505,950 S 6/2005 Summit et al.  
D507,003 S 7/2005 Pai et al.  
D514,121 S 1/2006 Johnson  
D514,590 S 2/2006 Naruki  
D519,116 S 4/2006 Tanaka et al.  
D519,523 S 4/2006 Chiu et al.  
D520,020 S 5/2006 Senda et al.  
7,042,712 B2 \* 5/2006 Ghosh et al. .... 361/679.03  
D528,542 S 9/2006 Luminosu et al.  
D528,561 S 9/2006 Ka-Wei et al.  
D529,045 S 9/2006 Shin  
D532,791 S 11/2006 Kim  
D534,143 S 12/2006 Lheem  
D535,281 S 1/2007 Yang  
D536,691 S 2/2007 Park  
D536,962 S 2/2007 Tanner  
D538,822 S 3/2007 Andre et al.  
D541,298 S 4/2007 Andre et al.  
D541,299 S 4/2007 Andre et al.  
D541,785 S 5/2007 Hwang et al.  
D546,313 S 7/2007 Lheem  
D548,732 S 8/2007 Cebe et al.  
D548,747 S 8/2007 Andre et al.  
D554,098 S 10/2007 Lee  
D556,211 S 11/2007 Howard  
D557,238 S 12/2007 Kim  
7,303,424 B2 12/2007 Tu et al.  
D558,460 S 1/2008 Yu et al.  
D558,756 S 1/2008 Andre et al.  
D558,757 S 1/2008 Andre et al.  
D558,758 S 1/2008 Andre et al.  
D558,792 S 1/2008 Chigira  
D559,220 S 1/2008 Lee et al.  
D560,192 S 1/2008 Lee et al.  
D560,683 S 1/2008 Lee  
D560,686 S 1/2008 Kim  
D561,153 S 2/2008 Hong et al.  
D561,204 S 2/2008 Toh  
D561,782 S 2/2008 Kim  
D562,285 S 2/2008 Lim  
D563,432 S 3/2008 Kim  
D563,929 S 3/2008 Park  
D568,309 S \* 5/2008 Cebe et al. .... D14/341  
D573,143 S \* 7/2008 Park et al. .... D14/341  
D574,015 S \* 7/2008 Masui ..... D14/496  
7,409,059 B2 \* 8/2008 Fujisawa ..... 379/433.13  
D579,930 S \* 11/2008 Maskatia ..... D14/341  
D580,387 S 11/2008 Andre et al.  
D581,922 S 12/2008 Andre et al.  
D584,738 S \* 1/2009 Kim et al. .... D14/496  
D586,800 S \* 2/2009 Andre et al. .... D14/341  
D589,979 S \* 4/2009 Andre et al. .... D14/496  
2004/0132499 A1 7/2004 Abe  
2004/0166907 A1 8/2004 Yajima  
2004/0223004 A1 11/2004 Lincke et al.  
2005/0130715 A1 6/2005 Fujisawa  
2006/0281501 A1 12/2006 Zuo et al.  
2007/0082718 A1 4/2007 Yoon et al.

2008/0004083 A1 \* 1/2008 Ohki et al. .... 455/566  
2008/0004085 A1 1/2008 Jung et al.

FOREIGN PATENT DOCUMENTS

JP D1159881 12/2002  
JP D1250487 9/2005  
JP 2004 290256 10/2005  
KR 30-0394921 12/2005  
KR 30-0422221 8/2006

OTHER PUBLICATIONS

U.S. Appl. No. 29/282,832, Andre et al., Electronic Device, filed Jul. 30, 2007.  
U.S. Appl. No. 29/282,833, Andre et al., Electronic Device, filed Jul. 30, 2007.  
U.S. Appl. No. 29/284,187, Andre et al., Electronic Device, filed Aug. 31, 2007.  
U.S. Appl. No. 29/284,188, Andre et al., Electronic Device, filed Aug. 31, 2007.  
U.S. Appl. No. 29/284,269, Andre et al., Electronic Device, filed Sep. 4, 2007.  
U.S. Appl. No. 29/284,272, Andre et al., Electronic Device, filed Sep. 5, 2007.  
U.S. Appl. No. 29/284,276, Andre et al., Electronic Device, filed Sep. 5, 2007.  
U.S. Appl. No. 29/284,288, Andre et al., Electronic Device, filed Sep. 5, 2007.  
U.S. Appl. No. 29/284,308, Andre et al., Electronic Device, filed Sep. 5, 2007.  
U.S. Appl. No. 29/284,310, Andre et al., Electronic Device, filed Sep. 5, 2007.  
Hilon LG DMB MP3 FM35, posted on Jun. 26, 2006, [online], [retrieved on Dec. 26, 2008]. Retrieved from Internet, <URL:http://hilon.com.cn.autobak/a8810005549>.  
eFashion Magazine, 2004, vol. No. 12, p. 60, China.  
eFashion Magazine, Jun. 1, 2005, vol. No. 119, p. 45, China.  
eFashion Magazine, Apr. 2006, vol. No. 142, p. 26, China.  
Notification and Request for Invalidation of Chinese Patent ZL200730148767.X, Patent Reexamination Board of the State of Intellectual Property Office of the PRC and English translation, mailed Dec. 11, 2008, 19 pages.  
Notification and Request for Invalidation of Chinese Patent ZL200730148751.9, Patent Reexamination Board of the State of Intellectual Property Office of the PRC and English translation, mailed Dec. 11, 2008, 19 pages.  
Notification and Request for Invalidation of Chinese Patent ZL200730148719.0, Patent Reexamination Board of the State of Intellectual Property Office of the PRC and English translation, mailed Dec. 11, 2008, 19 pages.  
U.S. Appl. No. 29/306,334, Andre et al., Electronic Device, filed Apr. 7, 2008.  
U.S. Appl. No. 29/306,950, Andre et al., Electronic Device, filed Apr. 18, 2008.  
U.S. Appl. No. 29/319,239, Andre et al., Electronic Device, filed Jun. 5, 2008.  
U.S. Appl. No. 29/319,433, Andre et al., Electronic Device, filed Jun. 9, 2008.  
U.S. Appl. No. 29/324,130, Andre et al., Electronic Device, filed Sep. 5, 2008.  
U.S. Appl. No. 29/324,137, Andre et al., Electronic Device, filed Sep. 6, 2008.  
U.S. Appl. No. 29/324,262, Andre et al., Electronic Device, filed Sep. 9, 2008.  
U.S. Appl. No. 29/284,271, Andre et al., Electronic Device, filed Sep. 4, 2007.  
U.S. Appl. No. 29/284,312, Andre et al., Electronic Device, filed Sep. 5, 2007.  
U.S. Appl. No. 29/319,377, Andre et al., Electronic Device, filed Jun. 6, 2008.  
Samsung F700, announced Feb. 2007, [online], [retrieved on Feb. 8, 2007]. Retrieved from Internet, <URL:http://www.gsmarena.com>.

## US D618,677 S

Page 3

---

Philips S900, announced Jun. 2006, [online], [retrieved on Feb. 20, 2007]. Retrieved from Internet, <URL:<http://www.gsmarena.com>>. LG DE850 Prada, announced Jan. 2007, [online], [retrieved on Feb. 20, 2007]. Retrieved from Internet, <URL:<http://www.gsmarena.com>>.

Apple iPhone, announced Jan. 2007, [online], [retrieved on Mar. 12, 2007]. Retrieved from Internet, <URL:<http://www.gsmarena.com>>.

Tinnos PDA, posted May 19, 2006, [online], [retrieved on Aug. 22, 2007]. Retrieved from Internet, <URL:<http://www.mobilewhack.com>>.

Meizu M8, posted Jan. 29, 2007, [online], [retrieved on Sep. 13, 2007]. Retrieved from Internet, <URL:<http://www.engadget.com>>.

\* cited by examiner

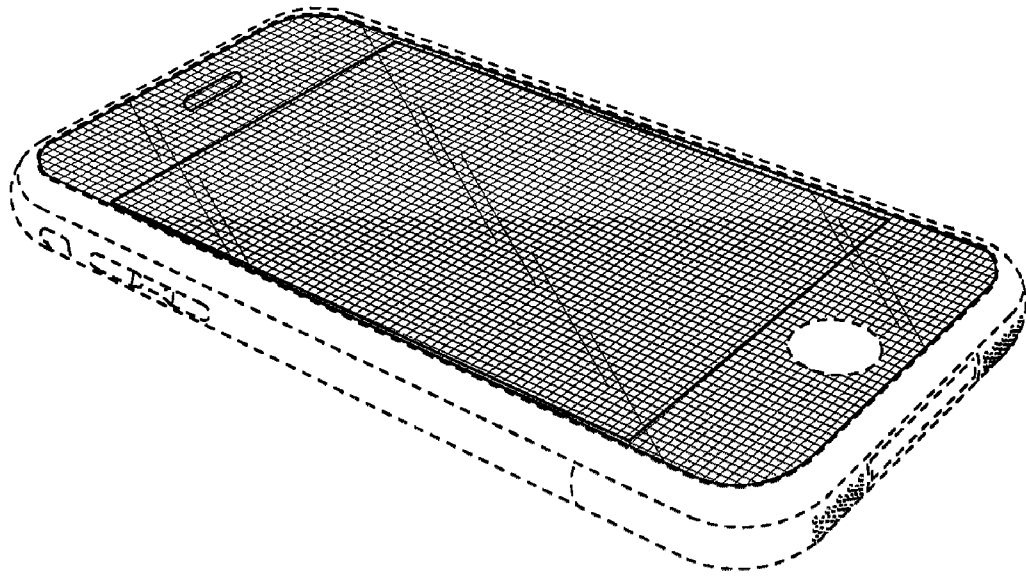


FIG. 1

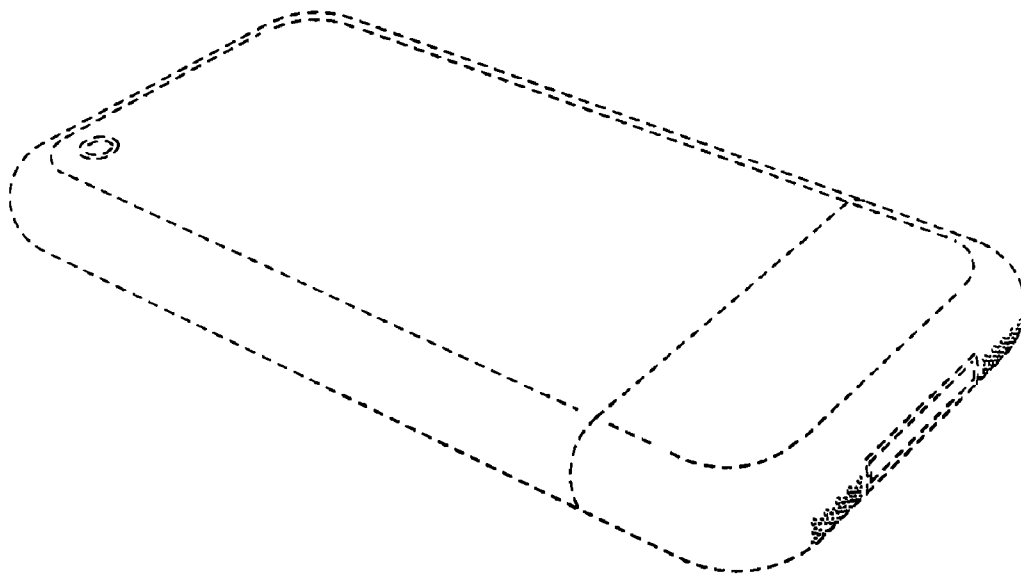


FIG. 2

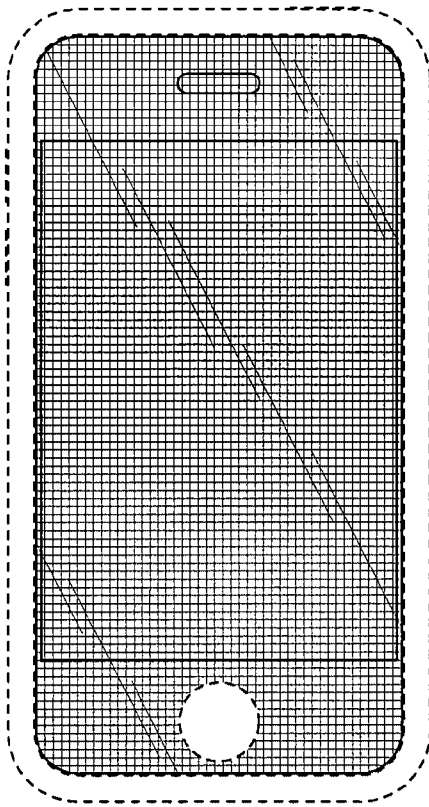


FIG. 3

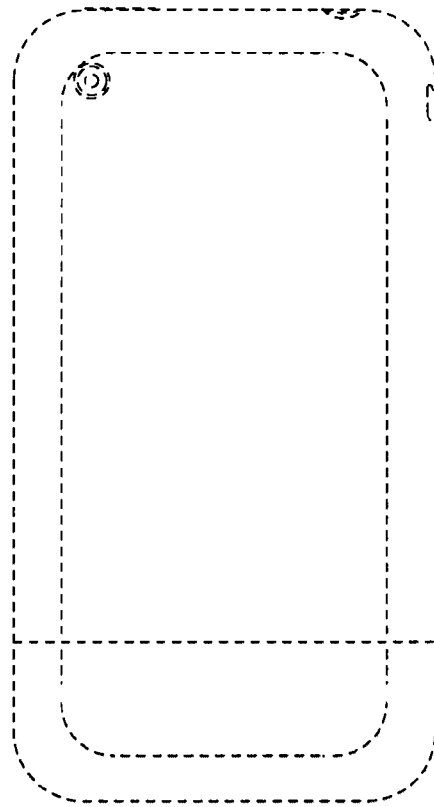


FIG. 4



FIG. 7



FIG. 8

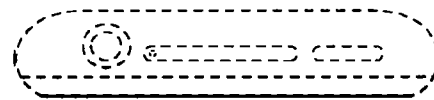


FIG. 5



FIG. 6

### Disclaimer

**D. 618,677 S**—Bartley K. Andre, Menlo Park, CA (US); Daniel J. Coster, San Francisco, CA (US); Daniele De Iuliis, San Francisco, CA (US); Richard P. Howarth, San Francisco, CA (US); Jonathan P. Ive, San Francisco, CA (US); Steve Jobs, Palo Alto, CA (US); Duncan Robert Kerr, San Francisco, CA (US); Shin Nishibori, Portola Valley, CA (US); Matthew Dean Rohrbach, San Francisco, CA (US); Douglas B. Satzger, Menlo Park, CA (US); Calvin Q. Seid, Palo Alto, CA (US); Christopher J. Stringer, Woodside, CA (US); Eugene Antony Whang, San Francisco, CA (US); Rico Zorkendorfer, San Francisco, CA (US). ELECTRONIC DEVICE. Patent dated June 29, 2010. Disclaimer filed November 27, 2012, by the assignee, Apple Inc.

The term of this patent shall not extend beyond the expiration date of Patent No. D. 593,087.

*(Official Gazette, January 1, 2013)*