

Lighting fixture for T-profile ceilings

- Easy installation
- High quality light distribution
- Easy maintenance

Application

For recessed installation in T-profile ceilings.

Design

Designed according to maritime requirements.

Housing

Steel housing with plastic "boots" for lamp holder in one end.

Finish

Powder coated white RAL9016.

Reflector (Optic)

Darklight optic type DL, designed for high quality light distribution.

Electric

With magnetic ballasts (F) or electronic ballast (HF). Also available with digital dimmable (HFDd) or analogue dimmable (HFDa) ballasts.

Lamp base

G13

Light source

Tubes T26 (T8), 18 or 36W.

**Mounting**

To be mounted in modular T-profile ceilings. Suspension brackets to be ordered separately.

Cable entry

One double hole 20.5 x 41 mm with rubber grommet on top, and two knock outs Ø20.5 mm in one side.

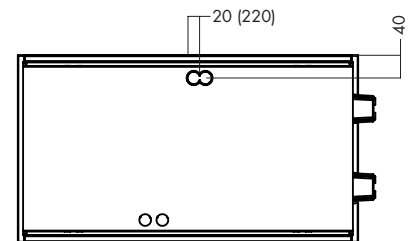
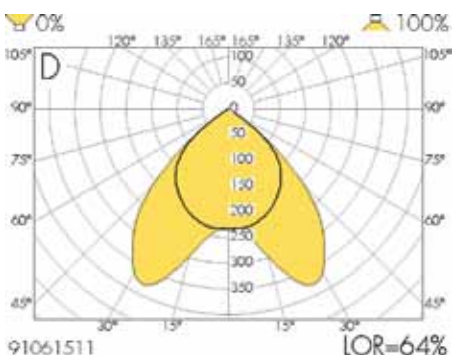
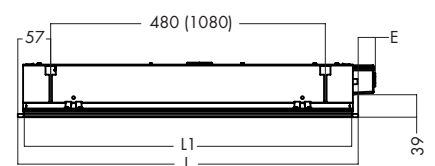
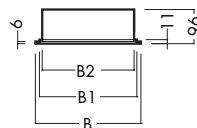
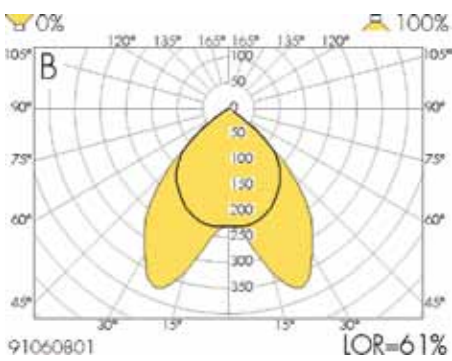
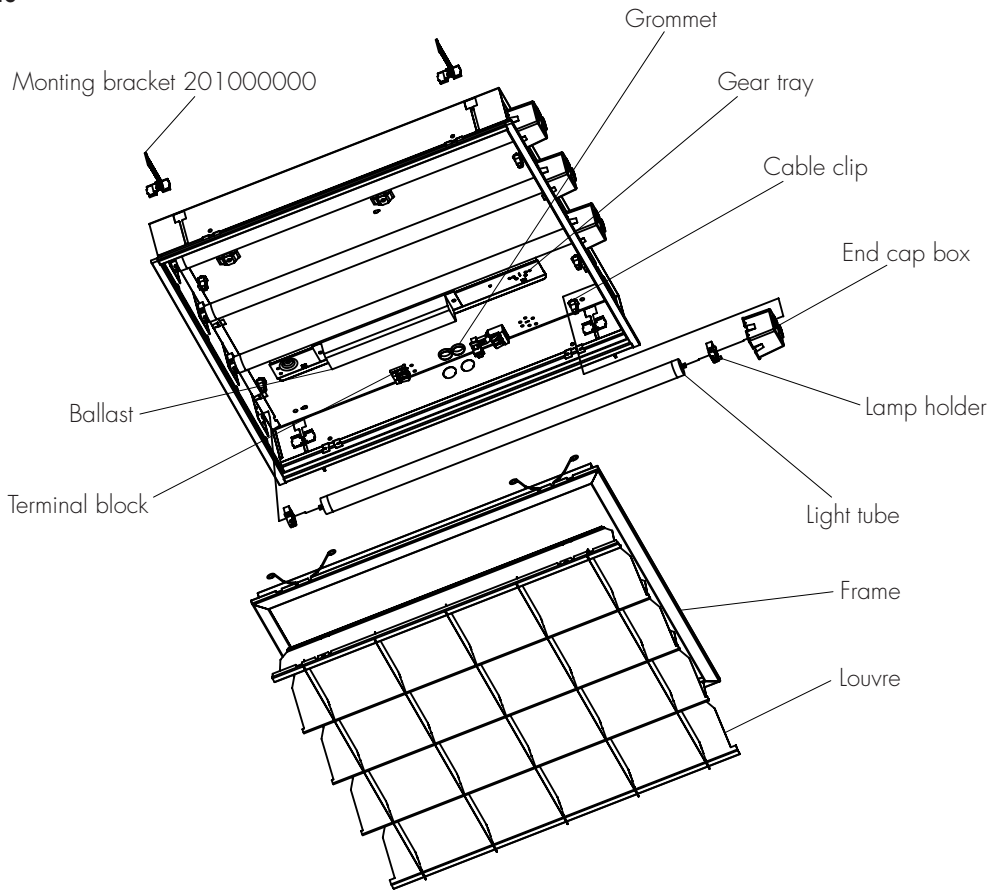
Termination

One 3-way + one 2-way push in terminal block, 2 x 2.5 mm².

T_a=40°C

Product	Part-No. F 230/50	Part-No. F 230/60	Part-No. HF	Part-No. HFDa	B mm	B1 mm	B2 mm	L mm	L1 mm	E mm	Weight kg	Lamp Code	Lamp Base	Light Distr
DLT RT(M)300 218 DL	204220420	204225420	204222220	204226520	297	275	260	597	575	30	3.5	T26(T8)	G13	B
DLT RT(M)300 236 DL	204240420	204245420	204242220	204246520	297	275	260	1197	1175	40	7.0	T26(T8)	G13	B
DLT RT(M)600 418 DL	208420420	208425420	208422220		597	575	560	597	575	30	6.8	T26(T8)	G13	D
Accessories	Part-No.				Weight kg									
MNT DLT RT	201000000				0.5									

Spare Parts



Measurements are in mm