

# Certified Service


## MULTI-POINT VEHICLE INSPECTION

Name: \_\_\_\_\_ Year/Model: \_\_\_\_\_ Date: \_\_\_\_\_

Repair Order #: \_\_\_\_\_ VIN (last 8 digits): \_\_\_\_\_ Odometer: \_\_\_\_\_ Tag#: \_\_\_\_\_ License#: \_\_\_\_\_

■ **Checked and OK**    ■ **May Require Attention Soon**    ■ **Requires Immediate Attention**

### WIPER BLADES



<span style="color: green;">■</span>	<span style="color: yellow;">■</span>	<span style="color: red;">■</span>	RF
<span style="color: green;">■</span>	<span style="color: yellow;">■</span>	<span style="color: red;">■</span>	LF
<span style="color: green;">■</span>	<span style="color: yellow;">■</span>	<span style="color: red;">■</span>	Rear (if applicable)
<span style="color: green;">■</span>	<span style="color: yellow;">■</span>	<span style="color: red;">■</span>	Windshield condition

Cracks \_\_\_\_\_ Chips \_\_\_\_\_



<span style="color: green;">■</span>	<span style="color: red;">■</span>	OnStar active	<span style="color: green;">■</span>	Service History Check		
<span style="color: green;">■</span>	<span style="color: red;">■</span>	Enrolled in OVD	<span style="color: green;">■</span>	<span style="color: yellow;">■</span>	<span style="color: red;">■</span>	Air Conditioning Performance
<span style="color: green;">■</span>	<span style="color: red;">■</span>	Enrolled in DMN	<span style="color: green;">■</span>	<span style="color: yellow;">■</span>	<span style="color: red;">■</span>	Remaining engine oil life: _____ % Reset: _____ N/A: _____

### CHECK BATTERY



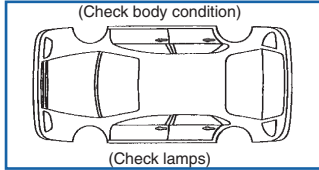
<span style="color: green;">■</span>	<span style="color: yellow;">■</span>	<span style="color: red;">■</span>	Battery health
<span style="color: green;">■</span>	<span style="color: yellow;">■</span>	<span style="color: red;">■</span>	Battery cables and connections

### CHECK TIRES AND TREAD DEPTH

<input type="checkbox"/>	Rotation needed	<input type="checkbox"/>	Alignment needed	<input type="checkbox"/>	Balance needed
<input type="checkbox"/>	Rotation performed	<input type="checkbox"/>	Alignment performed	<input type="checkbox"/>	Balance performed

<span style="color: green;">■</span>	8/32 or Greater	<span style="color: green;">■</span>	8/32 or Greater
<span style="color: yellow;">■</span>	7/32	<span style="color: yellow;">■</span>	7/32
<span style="color: yellow;">■</span>	6/32	<span style="color: yellow;">■</span>	6/32
<span style="color: yellow;">■</span>	5/32	<span style="color: yellow;">■</span>	5/32
<span style="color: yellow;">■</span>	4/32	<span style="color: yellow;">■</span>	4/32
<span style="color: red;">■</span>	3/32 or Less	<span style="color: red;">■</span>	3/32 or Less

PSI@: \_\_\_\_\_ set to: \_\_\_\_\_ PSI    PSI@: \_\_\_\_\_ set to: \_\_\_\_\_ PSI



(Check body condition)      (Check lamps)

<span style="color: green;">■</span>	8/32 or Greater	<span style="color: green;">■</span>	8/32 or Greater
<span style="color: yellow;">■</span>	7/32	<span style="color: yellow;">■</span>	7/32
<span style="color: yellow;">■</span>	6/32	<span style="color: yellow;">■</span>	6/32
<span style="color: yellow;">■</span>	5/32	<span style="color: yellow;">■</span>	5/32
<span style="color: yellow;">■</span>	4/32	<span style="color: yellow;">■</span>	4/32
<span style="color: red;">■</span>	3/32 or Less	<span style="color: red;">■</span>	3/32 or Less

Lowest Tread Depth: \_\_\_\_\_ /32

<input type="checkbox"/>	LF	Wear Pattern	<input type="checkbox"/>	RF
<input type="checkbox"/>	LR	Damage	<input type="checkbox"/>	RR

PSI@: \_\_\_\_\_ set to: \_\_\_\_\_ PSI    PSI@: \_\_\_\_\_ set to: \_\_\_\_\_ PSI

### CHANGE ENGINE OIL & FILTER

■ ■ ■    ■ N/A

### CHECK BRAKES/MEASURE FRONT AND REAR LININGS

### CHECK FLUID LEVELS

OK	FILLED	REQUIRES ATTENTION	
<span style="color: green;">■</span>	<span style="color: green;">■</span>	<span style="color: red;">■</span>	Engine oil
<span style="color: green;">■</span>	<span style="color: green;">■</span>	<span style="color: red;">■</span>	Brake fluid reservoir
<span style="color: green;">■</span>	<span style="color: green;">■</span>	<span style="color: red;">■</span>	Transmission (if equipped w/dipstick)
<span style="color: green;">■</span>	<span style="color: green;">■</span>	<span style="color: red;">■</span>	Coolant recovery reservoir
<span style="color: green;">■</span>	<span style="color: green;">■</span>	<span style="color: red;">■</span>	Power steering
<span style="color: green;">■</span>	<span style="color: green;">■</span>	<span style="color: red;">■</span>	Windshield washer

<span style="color: green;">■</span>	<span style="color: yellow;">■</span>	<span style="color: red;">■</span>	7 mm greater	<span style="color: green;">■</span>	<span style="color: yellow;">■</span>	<span style="color: red;">■</span>	6 mm	<span style="color: green;">■</span>	<span style="color: yellow;">■</span>	<span style="color: red;">■</span>	5 mm	<span style="color: green;">■</span>	<span style="color: yellow;">■</span>	<span style="color: red;">■</span>	4 mm	<span style="color: green;">■</span>	<span style="color: yellow;">■</span>	<span style="color: red;">■</span>	3 mm/less	<span style="color: green;">■</span>	<span style="color: yellow;">■</span>	<span style="color: red;">■</span>	2 mm/less	<span style="color: green;">■</span>	<span style="color: yellow;">■</span>	<span style="color: red;">■</span>	1 mm/less
--------------------------------------	---------------------------------------	------------------------------------	--------------	--------------------------------------	---------------------------------------	------------------------------------	------	--------------------------------------	---------------------------------------	------------------------------------	------	--------------------------------------	---------------------------------------	------------------------------------	------	--------------------------------------	---------------------------------------	------------------------------------	-----------	--------------------------------------	---------------------------------------	------------------------------------	-----------	--------------------------------------	---------------------------------------	------------------------------------	-----------

Lowest Front Lining \_\_\_\_\_      Lowest Rear Lining \_\_\_\_\_

### ADDITIONAL CHECKS (Inspect for visible leaks and visual condition)

### ADDITIONAL CHECKS

■ ■ ■ Brake system (also including lines, hoses and parking brake)

<span style="color: green;">■</span>	<span style="color: yellow;">■</span>	<span style="color: red;">■</span>	Fuel system (also including gas cap seating)
<span style="color: green;">■</span>	<span style="color: yellow;">■</span>	<span style="color: red;">■</span>	Engine, transmission, drive axle, transfer case
<span style="color: green;">■</span>	<span style="color: yellow;">■</span>	<span style="color: red;">■</span>	Engine cooling system: leak/other
<span style="color: green;">■</span>	<span style="color: yellow;">■</span>	<span style="color: red;">■</span>	Shocks and struts - also check operation
<span style="color: green;">■</span>	<span style="color: yellow;">■</span>	<span style="color: red;">■</span>	Belts: engine, power steering and/or V-drive
<span style="color: green;">■</span>	<span style="color: yellow;">■</span>	<span style="color: red;">■</span>	Hoses: engine, power steering and HVAC
<span style="color: green;">■</span>	<span style="color: yellow;">■</span>	<span style="color: red;">■</span>	Engine air filter
<span style="color: green;">■</span>	<span style="color: yellow;">■</span>	<span style="color: red;">■</span>	Passenger Compartment Air Filter
<span style="color: green;">■</span>	<span style="color: yellow;">■</span>	<span style="color: red;">■</span>	Steering components and steering linkage
<span style="color: green;">■</span>	<span style="color: yellow;">■</span>	<span style="color: red;">■</span>	CV drive axle boots or driveshafts and U-joints
<span style="color: green;">■</span>	<span style="color: yellow;">■</span>	<span style="color: red;">■</span>	Exhaust system components
<span style="color: green;">■</span>	<span style="color: yellow;">■</span>	<span style="color: red;">■</span>	Body components lubrication

### Additional Recommended Services

- 1)
- 2)
- 3)

Service Consultant: \_\_\_\_\_

Technician: \_\_\_\_\_ No.: \_\_\_\_\_

<span style="color: green;">■</span>	<span style="color: yellow;">■</span>	<span style="color: red;">■</span>	Restraint system component check
<span style="color: green;">■</span>	<span style="color: yellow;">■</span>	<span style="color: red;">■</span>	Chassis components lubrication
<span style="color: green;">■</span>	<span style="color: yellow;">■</span>	<span style="color: red;">■</span>	Drive Axle (leak/other)
<span style="color: green;">■</span>	<span style="color: yellow;">■</span>	<span style="color: red;">■</span>	Evaporative control system

# Certified Service

## — VEHICLE OWNER CHECKLIST —

### AT EACH FUEL STOP

- Engine oil level check
- Engine coolant level check
- Windshield washer fluid level check

### ONCE A MONTH

- Tire inflation check
- Tire wear inspection

### ONCE A YEAR

Refer to your vehicle owner's manual for additional required services. Visit your GM Goodwrench Dealer's Service Department to assist you with these maintenance needs.

# Certified Service


## MULTI-POINT VEHICLE INSPECTION

Name: \_\_\_\_\_ Year/Model: \_\_\_\_\_ Date: \_\_\_\_\_


Repair Order #: \_\_\_\_\_ VIN (last 8 digits): \_\_\_\_\_ Odometer: \_\_\_\_\_ Tag#: \_\_\_\_\_ License#: \_\_\_\_\_

**Checked and OK**  **May Require Attention Soon**  **Requires Immediate Attention**


### WIPER BLADES



<input type="checkbox"/>	<input type="checkbox"/>	<input type="checkbox"/>	<input type="checkbox"/>	<input type="checkbox"/>	<input type="checkbox"/>
<input type="checkbox"/>	XWIPY	XWIPR	<b>RF</b>		
<input type="checkbox"/>	XWIPY	XWIPR	<b>LF</b>		
<input type="checkbox"/>					Rear (if applicable)
<input type="checkbox"/>	XWNDY	XWNDR	Windshield condition		
Cracks _____ Chips _____					

<input type="checkbox"/>	<input type="checkbox"/>	OnStar active		<input type="checkbox"/>	Service History Check
<input type="checkbox"/>	<input type="checkbox"/>	Enrolled in OVD		<input type="checkbox"/>	XACY XACR Air Conditioning Performance
<input type="checkbox"/>	<input type="checkbox"/>	Enrolled in DMN		<input type="checkbox"/>	Remaining engine oil life: _____ %
				<input type="checkbox"/>	Reset: _____ N/A: _____

### CHECK BATTERY



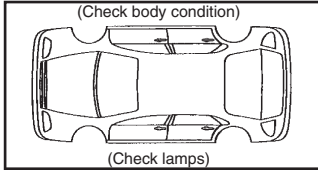
<input type="checkbox"/>	<input type="checkbox"/>	XBATY	XBATR	Battery health
<input type="checkbox"/>	<input type="checkbox"/>	XCABY	XCABR	Battery cables and connections

### CHECK TIRES AND TREAD DEPTH

<input type="checkbox"/>	XROTR	Rotation needed	<input type="checkbox"/>	XALGN	Alignment needed	<input type="checkbox"/>	XBALR	Balance needed
<input type="checkbox"/>		Rotation performed	<input type="checkbox"/>		Alignment performed	<input type="checkbox"/>		Balance performed

<input type="checkbox"/>	TIRE8	8/32 or Greater	<input type="checkbox"/>	TIRE8	8/32 or Greater	<input type="checkbox"/>	TIRE8	8/32 or Greater	<input type="checkbox"/>	TIRE8
<input type="checkbox"/>	TIRE7	7/32	<input type="checkbox"/>	TIRE7	7/32	<input type="checkbox"/>	TIRE7	7/32	<input type="checkbox"/>	TIRE7
<input type="checkbox"/>	TIRE6	6/32	<input type="checkbox"/>	TIRE6	6/32	<input type="checkbox"/>	TIRE6	6/32	<input type="checkbox"/>	TIRE6
<input type="checkbox"/>	TIRE5	5/32	<input type="checkbox"/>	TIRE5	5/32	<input type="checkbox"/>	TIRE5	5/32	<input type="checkbox"/>	TIRE5
<input type="checkbox"/>	TIRE4	4/32	<input type="checkbox"/>	TIRE4	4/32	<input type="checkbox"/>	TIRE4	4/32	<input type="checkbox"/>	TIRE4
<input type="checkbox"/>	TIRE3	3/32 or Less	<input type="checkbox"/>	TIRE3	3/32 or Less	<input type="checkbox"/>	TIRE3	3/32 or Less	<input type="checkbox"/>	TIRE3

(Check body condition)



(Check lamps)

Lowest Tread Depth: \_\_\_\_\_ /32

<input type="checkbox"/>	LF	Wear Pattern	<input type="checkbox"/>	RF
<input type="checkbox"/>	LR	Damage	<input type="checkbox"/>	RR

PSI@: \_\_\_\_\_ set to: \_\_\_\_\_ PSI    PSI@: \_\_\_\_\_ set to: \_\_\_\_\_ PSI    PSI@: \_\_\_\_\_ set to: \_\_\_\_\_ PSI    PSI@: \_\_\_\_\_ set to: \_\_\_\_\_ PSI

### CHANGE ENGINE OIL & FILTER

**N/A**

### CHECK BRAKES/MEASURE FRONT AND REAR LININGS

### CHECK FLUID LEVELS

OK	FILLED	REQUIRES ATTENTION
<input type="checkbox"/>	<input type="checkbox"/>	Engine oil
<input type="checkbox"/>	<input type="checkbox"/>	Brake fluid reservoir
<input type="checkbox"/>	<input type="checkbox"/>	Transmission (if equipped w/dipstick)
<input type="checkbox"/>	<input type="checkbox"/>	Coolant recovery reservoir
<input type="checkbox"/>	<input type="checkbox"/>	Power steering
<input type="checkbox"/>	<input type="checkbox"/>	Windshield washer

<input type="checkbox"/>	BK7	7 mm greater	<input type="checkbox"/>	BK7	7 mm greater	<input type="checkbox"/>	BK7
<input type="checkbox"/>	BK6	6 mm	<input type="checkbox"/>	BK6	6 mm	<input type="checkbox"/>	BK6
<input type="checkbox"/>	BK5	5 mm	<input type="checkbox"/>	BK5	5 mm	<input type="checkbox"/>	BK5
<input type="checkbox"/>	BK4	4 mm	<input type="checkbox"/>	BK4	4 mm	<input type="checkbox"/>	BK4
<input type="checkbox"/>	BK3	3 mm/less	<input type="checkbox"/>	BK3	3 mm/less	<input type="checkbox"/>	BK3
<input type="checkbox"/>	BK2	2 mm/less	<input type="checkbox"/>	BK2	2 mm/less	<input type="checkbox"/>	BK2
<input type="checkbox"/>	BK1	1 mm/less	<input type="checkbox"/>	BK1	1 mm/less	<input type="checkbox"/>	BK1

Lowest Front Lining \_\_\_\_\_    Lowest Rear Lining \_\_\_\_\_

### ADDITIONAL CHECKS (Inspect for visible leaks and visual condition)

XBRKY XBRKR Brake system (also including lines, hoses and parking brake)

<input type="checkbox"/>	XFULY	XFULR	Fuel system (also including gas cap seating)
<input type="checkbox"/>	XTRAY	XTRAR	Engine, transmission, drive axle, transfer case
<input type="checkbox"/>	XENGY	XENGR	Engine cooling system: leak/other
<input type="checkbox"/>	XSHKY	XSHKR	Shocks and struts - also check operation
<input type="checkbox"/>	XBELY	XBELR	Belts: engine, power steering and/or V-drive
<input type="checkbox"/>	XHOSY	XHOSR	Hoses: engine, power steering and HVAC
<input type="checkbox"/>	XAFY	XAFR	Engine air filter
<input type="checkbox"/>	XCFY	XCFR	Passenger Compartment Air Filter
<input type="checkbox"/>	XSTRY	XSTRR	Steering components and steering linkage
<input type="checkbox"/>	XCVJY	XCVJR	CV drive axle boots or driveshafts and U-joints
<input type="checkbox"/>	XEXHY	XEXHR	Exhaust system components
<input type="checkbox"/>	XBODY	XBODR	Body components lubrication

### Additional Recommended Services

FRH
1)
2)
3)
<b>Service Consultant:</b>
<b>Technician:</b>
<b>No.:</b>
<b>Recommended FRH:</b>
<b>Total FRH Sold:</b>

<input type="checkbox"/>	XRESY	XRESR	Restraint system component check
<input type="checkbox"/>	XCHSY	XCHSR	Chassis components lubrication
<input type="checkbox"/>	XAXLY	XAXLR	Drive Axle (leak/other)
<input type="checkbox"/>	XEVPY	XEVPR	Evaporative control system

<b>Category</b>	<b>Yellow</b>	<b>Red</b>
Wiper	XWIPY	XWIPR
Windshield	XWNDY	XWNDR
Air Conditioning	XACY	XACR
Rotation		XROTR
Alignment		XALGN
Tire Balance		XBALR
Battery	XBATY	XBATR
Battery Cable	XCABY	XCABR
Fuel System	XFULY	XFULR
Engine (Leak, Other)	XENGY	XENGR
Transmission/Transfer Case (Leak, Other)	XTRAY	XTRAR
Drive Axle (Leak, Other)	XAXLY	XAXLR
Shock/Strut	XSHKY	XSHKR
Belts	XBELY	XBELR
Hoses	XHOSY	XHOSR
Engine Air Filter	XAFY	XAFR
Cabin Air Filter	XCFY	XCFR
Steering/Suspension	XSTRY	XSTRR
CV Joint, Driveshaft, U-Joint	XCVJY	XCVJR
Exhaust System	XEXHY	XEXHR
Body Components Lubrication	XBODY	XBODR
Restraint System	XRESY	XRESR
Chassis Components Lubrication	XCHSY	XCHSR
Evaporative control system	XEVPY	XEVPR
<b>Current Recommend Labor Operations</b>		
Tires (Tread Depth)	Tire 8 thru Tire3	
Brake (Lining Measurement)	BK7 thru BK1	

# Certified Service


## MULTI-POINT VEHICLE INSPECTION

Name: \_\_\_\_\_ Year/Model: \_\_\_\_\_ Date: \_\_\_\_\_


Repair Order #: \_\_\_\_\_ VIN (last 8 digits): \_\_\_\_\_ Odometer: \_\_\_\_\_ Tag#: \_\_\_\_\_ License#: \_\_\_\_\_

**Checked and OK**  **May Require Attention Soon**  **Requires Immediate Attention**


### WIPER BLADES



<input type="checkbox"/>	<input type="checkbox"/>	<input type="checkbox"/>	<input type="checkbox"/>	<input type="checkbox"/>	<input type="checkbox"/>
<input type="checkbox"/>	XWIPY	XWIPR	<b>RF</b>		
<input type="checkbox"/>	XWIPY	XWIPR	<b>LF</b>		
<input type="checkbox"/>					Rear (if applicable)
<input type="checkbox"/>	XWNDY	XWNDR	Windshield condition		
Cracks _____		Chips _____			

<input type="checkbox"/>	<input type="checkbox"/>	OnStar active		<input type="checkbox"/>	Service History Check
<input type="checkbox"/>	<input type="checkbox"/>	Enrolled in OVD		<input type="checkbox"/>	XACY XACR Air Conditioning Performance
<input type="checkbox"/>	<input type="checkbox"/>	Enrolled in DMN		<input type="checkbox"/>	XOLSG XOLSY XOLSR Remaining engine oil life: _____ % Reset: _____ N/A: _____

### CHECK BATTERY



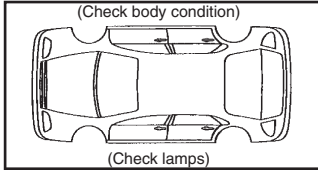
<input type="checkbox"/>	<input type="checkbox"/>	XBATY	XBATR	Battery health
<input type="checkbox"/>	<input type="checkbox"/>	XCABY	XCABR	Battery cables and connections

### CHECK TIRES AND TREAD DEPTH

<input type="checkbox"/>	XROTR	Rotation needed	<input type="checkbox"/>	XALGN	Alignment needed	<input type="checkbox"/>	XBALR	Balance needed
<input type="checkbox"/>		Rotation performed	<input type="checkbox"/>		Alignment performed	<input type="checkbox"/>		Balance performed

<input type="checkbox"/>	TIRE8	8/32 or Greater	<input type="checkbox"/>	TIRE8	8/32 or Greater	<input type="checkbox"/>	TIRE8	8/32 or Greater	<input type="checkbox"/>	TIRE8
<input type="checkbox"/>	TIRE7	7/32	<input type="checkbox"/>	TIRE7	7/32	<input type="checkbox"/>	TIRE7	7/32	<input type="checkbox"/>	TIRE7
<input type="checkbox"/>	TIRE6	6/32	<input type="checkbox"/>	TIRE6	6/32	<input type="checkbox"/>	TIRE6	6/32	<input type="checkbox"/>	TIRE6
<input type="checkbox"/>	TIRE5	5/32	<input type="checkbox"/>	TIRE5	5/32	<input type="checkbox"/>	TIRE5	5/32	<input type="checkbox"/>	TIRE5
<input type="checkbox"/>	TIRE4	4/32	<input type="checkbox"/>	TIRE4	4/32	<input type="checkbox"/>	TIRE4	4/32	<input type="checkbox"/>	TIRE4
<input type="checkbox"/>	TIRE3	3/32 or Less	<input type="checkbox"/>	TIRE3	3/32 or Less	<input type="checkbox"/>	TIRE3	3/32 or Less	<input type="checkbox"/>	TIRE3

(Check body condition)



(Check lamps)

Lowest Tread Depth: \_\_\_\_\_ /32

<input type="checkbox"/>	LF	Wear Pattern	<input type="checkbox"/>	RF
<input type="checkbox"/>	LR	Damage	<input type="checkbox"/>	RR

PSI@: \_\_\_\_\_ set to: \_\_\_\_\_ PSI    PSI@: \_\_\_\_\_ set to: \_\_\_\_\_ PSI    PSI@: \_\_\_\_\_ set to: \_\_\_\_\_ PSI    PSI@: \_\_\_\_\_ set to: \_\_\_\_\_ PSI

### CHANGE ENGINE OIL & FILTER

**N/A**

### CHECK BRAKES/MEASURE FRONT AND REAR LININGS

### CHECK FLUID LEVELS

OK	FILLED	REQUIRES ATTENTION
<input type="checkbox"/>	<input type="checkbox"/>	Engine oil
<input type="checkbox"/>	<input type="checkbox"/>	Brake fluid reservoir
<input type="checkbox"/>	<input type="checkbox"/>	Transmission (if equipped w/dipstick)
<input type="checkbox"/>	<input type="checkbox"/>	Coolant recovery reservoir
<input type="checkbox"/>	<input type="checkbox"/>	Power steering
<input type="checkbox"/>	<input type="checkbox"/>	Windshield washer

<input type="checkbox"/>	BK7	7 mm greater	<input type="checkbox"/>	BK7	7 mm greater	<input type="checkbox"/>	BK7
<input type="checkbox"/>	BK6	6 mm	<input type="checkbox"/>	BK6	6 mm	<input type="checkbox"/>	BK6
<input type="checkbox"/>	BK5	5 mm	<input type="checkbox"/>	BK5	5 mm	<input type="checkbox"/>	BK5
<input type="checkbox"/>	BK4	4 mm	<input type="checkbox"/>	BK4	4 mm	<input type="checkbox"/>	BK4
<input type="checkbox"/>	BK3	3 mm/less	<input type="checkbox"/>	BK3	3 mm/less	<input type="checkbox"/>	BK3
<input type="checkbox"/>	BK2	2 mm/less	<input type="checkbox"/>	BK2	2 mm/less	<input type="checkbox"/>	BK2
<input type="checkbox"/>	BK1	1 mm/less	<input type="checkbox"/>	BK1	1 mm/less	<input type="checkbox"/>	BK1

Lowest Front Lining \_\_\_\_\_    Lowest Rear Lining \_\_\_\_\_

### ADDITIONAL CHECKS (Inspect for visible leaks and visual condition)

XBRKY XBRKR Brake system (also including lines, hoses and parking brake)

<input type="checkbox"/>	XFULY	XFULR	Fuel system (also including gas cap seating)
<input type="checkbox"/>	XTRAY	XTRAR	Engine, transmission, drive axle, transfer case
<input type="checkbox"/>	XENGY	XENGR	Engine cooling system: leak/other
<input type="checkbox"/>	XSHKY	XSHKR	Shocks and struts - also check operation
<input type="checkbox"/>	XBELY	XBELR	Belts: engine, power steering and/or V-drive
<input type="checkbox"/>	XHOSY	XHOSR	Hoses: engine, power steering and HVAC
<input type="checkbox"/>	XAFY	XAFR	Engine air filter
<input type="checkbox"/>	XCFY	XCFR	Passenger Compartment Air Filter
<input type="checkbox"/>	XSTRY	XSTRR	Steering components and steering linkage
<input type="checkbox"/>	XCVJY	XCVJR	CV drive axle boots or driveshafts and U-joints
<input type="checkbox"/>	XEXHY	XEXHR	Exhaust system components
<input type="checkbox"/>	XBODY	XBODR	Body components lubrication

### Additional Recommended Services

FRH
1)
2)
3)
<b>Service Consultant:</b>
<b>Technician:</b>
<b>No.:</b>
<b>Recommended FRH:</b>
<b>Total FRH Sold:</b>

<input type="checkbox"/>	XRESY	XRESR	Restraint system component check
<input type="checkbox"/>	XCHSY	XCHSR	Chassis components lubrication
<input type="checkbox"/>	XAXLY	XAXLR	Drive Axle (leak/other)
<input type="checkbox"/>	XEVPY	XEVPR	Evaporative control system