

# 100PH UNIV

100PH Universal Plow  
Harness owners manual.  
Read before operating.  
Important safety and operation  
instructions inside.

**CRAIG MANUFACTURING LTD.**

96 McLean Ave.  
Hartland, New Brunswick  
CANADA E7P 2K5

**Tel:** 1-(506)-375-4493

**Toll Free:** 1-800-565-5007

**Fax:** 1-(506)-375-4848

**Toll Free Fax:** 1-800-267-5578

**Email:** [sales@craigattachments.com](mailto:sales@craigattachments.com)

**Website:** [www.craigattachments.com](http://www.craigattachments.com)

**1-800-565-5007**



**CRAIG**<sup>TM</sup>  
Attachments • Built Right • Fit Right

**READ BEFORE OPERATING**

**VERSION 1.0**



# 100PH UNIV

## OWNERS MANUAL



### PREFACE

Congratulations on the purchase of your new Craig Manufacturing Ltd. 100PH Universal Plow Harness. This manual provides safety, operation and maintenance information. To keep your wing in good condition, please read this manual and follow all recommendations. Failure to do so may invalidate your warranty.

When parts or service are necessary contact Craig at 1-800-565-5007 for genuine Craig Parts. Before using your snowplow, make sure your machine is equipped with all the OEM recommended requirements for plowing.

#### CRAIG FACTORY ORIGINAL PARTS



The best way to ensure equipment reliability is to use only genuine Craig Manufacturing Ltd. Factory Original Parts. Our parts department can help you not only find the right part for your application but also offer advice and support for the repair. Using aftermarket non-approved parts can alter your plow's performance characteristics and may affect your warranty.

To help ensure that correct parts are ordered, please record the serial number of your plow. In time serial tags can become tarnished or difficult to read. Please supply this serial number to your dealership when ordering parts and it will ensure the correct part gets ordered.

**Serial:** \_\_\_\_\_

**Machine:** \_\_\_\_\_

**Model:** \_\_\_\_\_

**In-Service Date:** \_\_\_\_\_

**Purchased From:** \_\_\_\_\_

# 100PH UNIV OWNERS MANUAL



## SAFETY

### SAFETY PRECAUTIONS

Improper installation and/or operation of your Craig Manufacturing Ltd. attachments can cause bodily injury, property damage, and damage to your equipment. Read and understand labels and this booklet before operating or making adjustments. Failure to do so may affect your warranty.

### HYDRAULIC SAFETY

Always inspect hydraulic components before operating your Snowplow. Replace any damaged or worn parts immediately.

Lower the blade when the machine is not in use. Temperature changes can change hydraulic pressure, allowing the blade to drop unexpectedly causing injury or damaging hydraulic components.

Hydraulic fluid under pressure can cause bodily harm. If you suspect a hydraulic leak use a piece of wood or cardboard to investigate, DO NOT use your hand. If you are injured by hydraulic fluid, seek medical attention immediately.

### WARNING LABELS

Become familiar with and inform users about all warning and instruction labels on the back of your attachment.

**NOTE:** If labels are missing or cannot be read, call 1-800-565-5007 to get replacements.

### PERSONAL SAFETY

Remove ignition key and immobilize the machine during installation, inspection or service. Always follow safe work practices when installing servicing or inspecting your snowplow by wearing only snug-fitting clothing, removing jewelry, and securing long hair. Wear safety goggles to protect your eyes from hydraulic fluid, sparks, dirt and dust. Always have a fire extinguisher rated BC on hand for flammable liquid and electrical fires.

Lift with your legs. Get help and use lifting equipment when applicable. Never trust that the hydraulic system will not fail. Do not work under or around heavy items not supported by stands, blocks or safety chains.



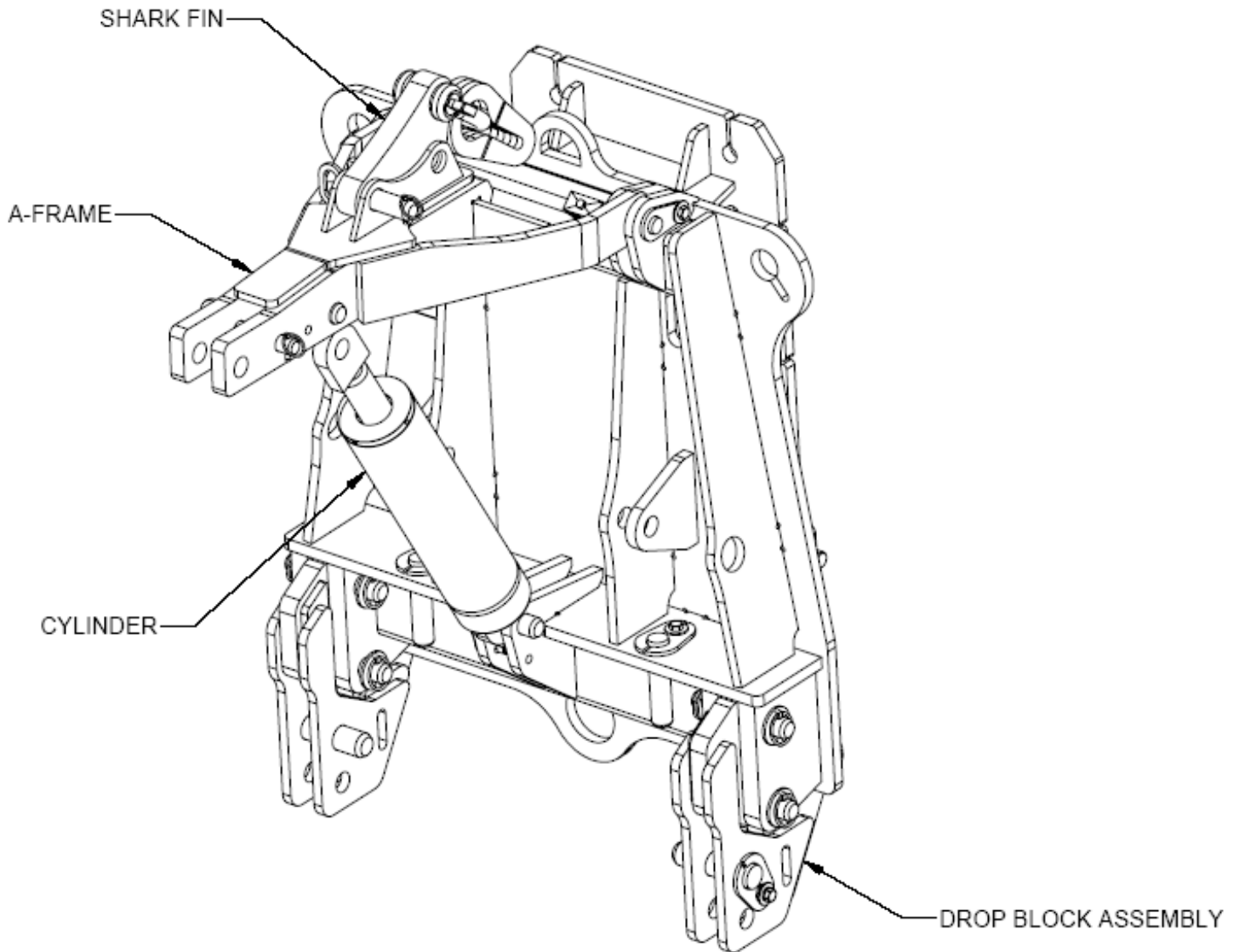
# 100PH UNIV

## OWNERS MANUAL

**CRAIG**<sup>™</sup>  
Attachments • Built Right • Fit Right

### OVERVIEW

#### GETTING TO KNOW YOUR PLOW HARNESS



CRAIG UNIVERSAL PLOW HARNESS

# 100PH UNIV

## OWNERS MANUAL

**CRAIG**<sup>™</sup>  
Attachments • Built Right • Fit Right

### OVERVIEW

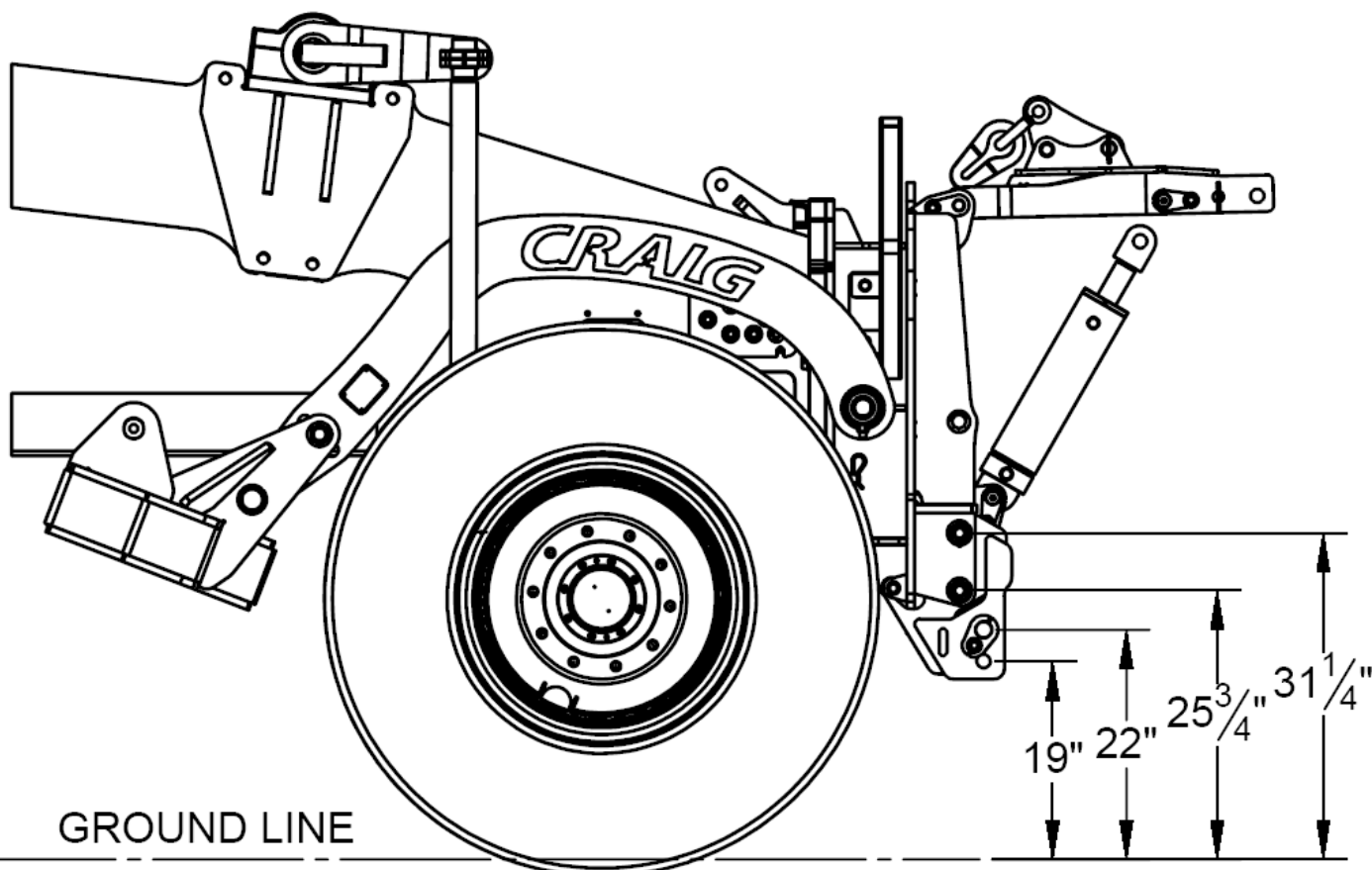
#### OPERATION

The Craig universal plow harness is designed to pick up Craig, Viking and Champion attachments. It has several configurations for attachment locations depending on the attachment to be used.

Drop blocks are always to be used with Craig and Viking attachments. The drop blocks themselves contains two potential pin sizes, 1- 1/4" and 1- 1/2". A Craig plow or dozer blade will normally use the 1- 1/2" pins (22" height) and Viking attachments will usually pin onto the 1- 1/4" (19" height) pins. When using a Champion attachment, the drop blocks are not required, and can be swung back and pinned on back of the harness for safe keeping. The two upper holes are to be used for Champion attachments (25- 3/4" and 31- 1/4").

Champion attachments are intended to attach onto the 1- 1/4" pins on the weldment/frame of the plow harness, and do not use the drop blocks.

The A-frame has several configurations as well. The down pressure lug/shark fin is intended to be used on any Craig or Viking attachment, whether the attachment has down pressure arms or lift chains. When Using a Champion attachment, the shark fin is intended to be unhooked and stored in this position and the down pressure arm is intended to be mounted directly onto the A-frame.



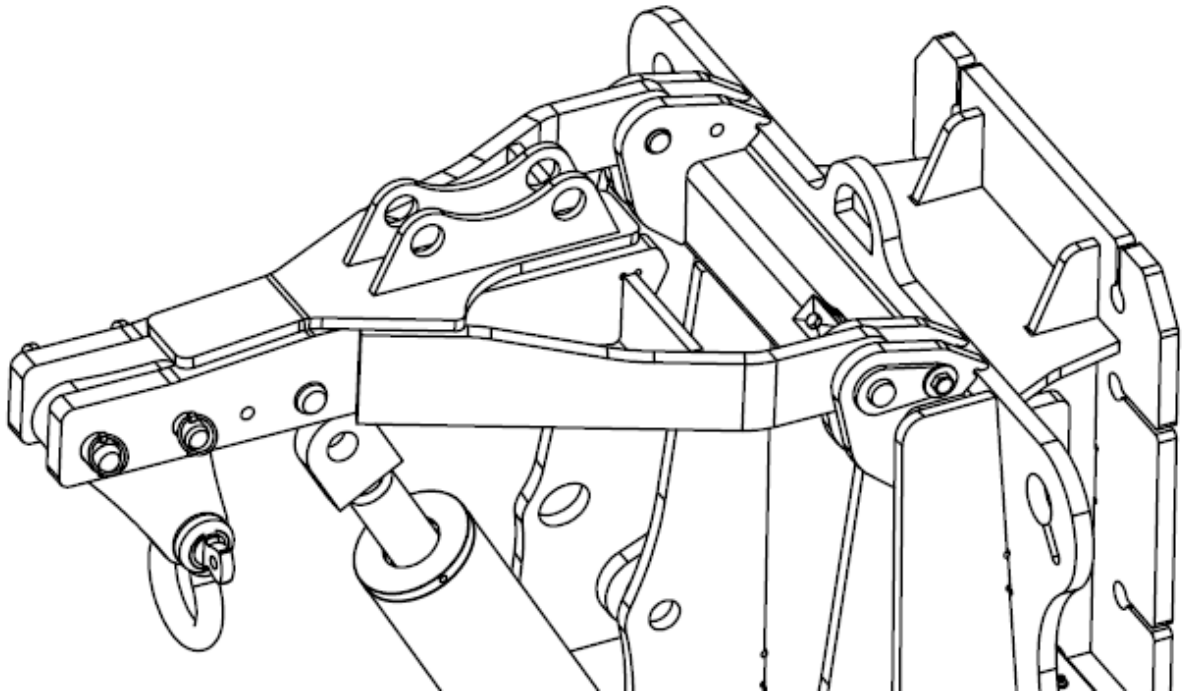
HEIGHTS OF PIN HOLES

# 100PH UNIV

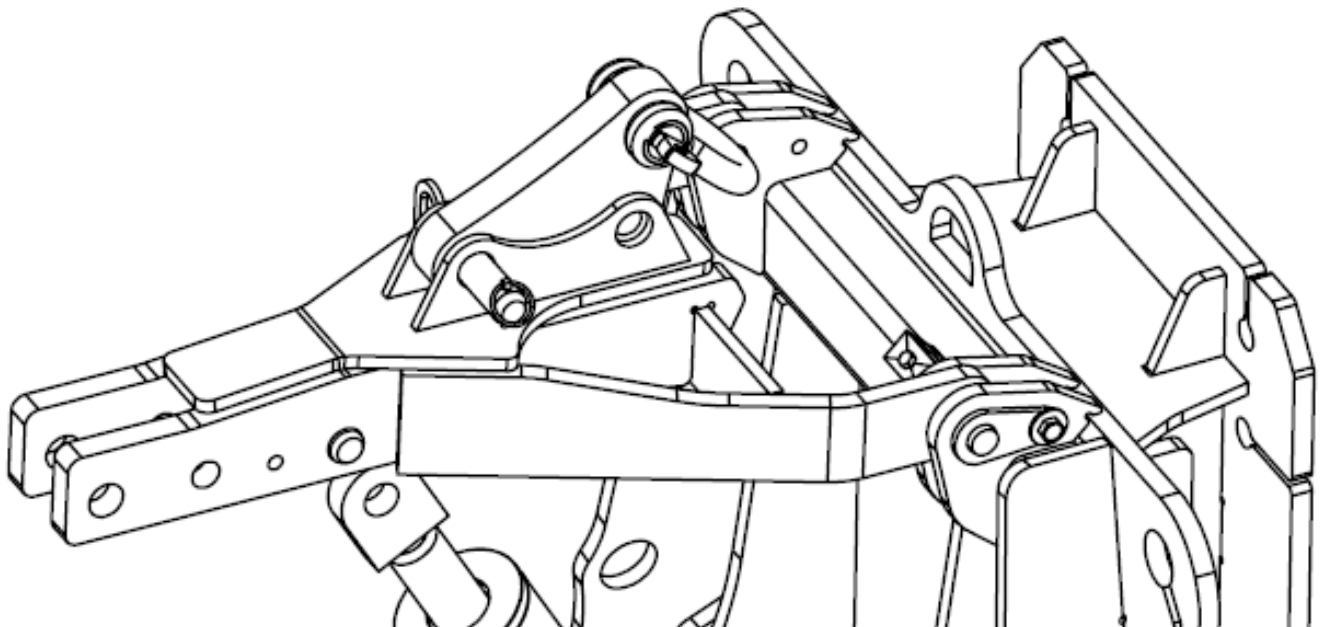
## OWNERS MANUAL

**CRAIG**<sup>™</sup>  
Attachments • Built Right • Fit Right

### OPERATION

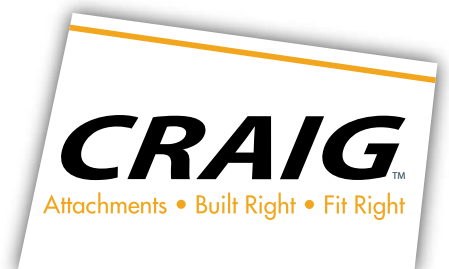


A-FRAME CONFIGURATION FOR CRAIG ATTACHMENTS



A-FRAME CONFIGURATION FOR CHAMPION ATTACHMENTS

# 100PH UNIV OWNERS MANUAL



## MAINTENANCE

### PAINT

The finish on your Craig attachment has been applied with a special primer and adhesion enhancer to promote a durable finish. Because of the nature of heavy equipment attachments scuffing and wear are normal. **The finish on your Craig attachment is not covered under warranty.** For best results your Craig wing assembly should be cleaned, inspected and re-painted at the end of each season. Matching paint and primer can be purchased from your local original equipment dealer.

### TECHNICAL SUPPORT

If you have followed the maintenance instructions contained in this manual you should have years of trouble-free operation from your Craig attachment.

If you would like more information on any features of this attachment, visit our website and be sure to check if your manual edition is current. If the information you are seeking is not in the most current manual, please contact us at 1-800-565-5007 and ask for technical support.





**CRAIG MANUFACTURING LTD.**

96 McLean Ave.  
Hartland, New Brunswick  
CANADA E7P 2K5

**Tel:** 1-(506)-375-4493

**Toll Free:** 1-800-565-5007

**Fax:** 1-(506)-375-4848

**Toll Free Fax:** 1-800-267-5578

**Email:** [sales@craigattachments.com](mailto:sales@craigattachments.com)

**Website:** [www.craigattachments.com](http://www.craigattachments.com)

