



Air moving solutions made simple



AC Fans
DC Fans



AC Blowers
DC Blowers



AC Impellers
DC Impellers



AC Motors



Accessories

Search

- Part/ Model #
- Stock Check
- Cross-Reference
- Keyword

More Products

- Heat Sinks
- Fan Accessories
- Engineering Tools
 - Airflow Calculator
 - Thermal Calculator
 - Unit Conversions
 - Application Notes
- Custom Solutions
- Company Info
 - Contact Info
 - Technical Capability
 - Certifications
 - Terms & Conditions
 - Employment Ops

Gateway Online

Phone: 858.348.6200 FAX: 858.566.4577

Distributors

Find a Rep

Contact Us

Flight LT - **CR0812MB-D71-032720-** Yes
80x15 (Family) (Model) (Part #) (In Stock)

Electrical Specifications

Operating Voltage:	12 Volts
Voltage Range:	10.8 - 13.2 Volts
Power Supply:	1.8 Watts
Line Current:	0.15 Amps
Locked Rotor Current	0.15 Amps
Nominal Speed:	2440 RPM

Mechanical Specifications

Dimensions:	3.1 x 3.1 x 0.6 in
Weight	2.2 oz
Max Airflow @ 0 in H ₂ O	22.0 CFM
Max Pressure @ 0 CFM	0.082 in H ₂ O
Noise	26.0 dBA

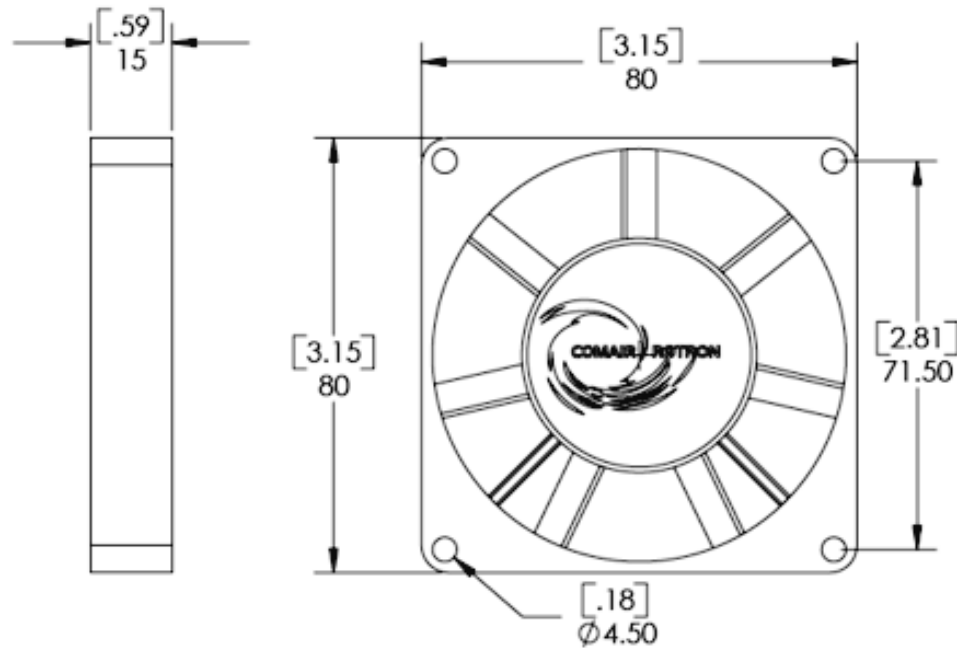


Detailed Drawing



Printer-Friendly Datasheet

Mechanical Drawing



Fan Performance Curve

Fan Configuration Options

Flight LT 80x15

(Family)

CR0812MB-D71

(Model)

032720

(Part #)

Yes

(In Stock)

Fan Speeds

- High Speed (3200 RPM)
- Medium Speed (2440 RPM)

Fan Bearings

- Ball Bearings
- Sleeve Bearings

Fan Airflow Directions

- Flow L (CW Rotation)
- Flow R (CCW Rotation)

Fan Terminations

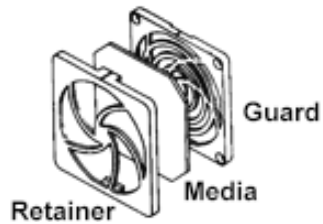
- Leads
- Terminals

Fan Monitoring Options

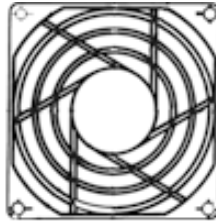
- No Tachometer Required
- Add Open Collector Tachometer Output

Accessories [\(Click on part number for detailed drawing.\)](#)

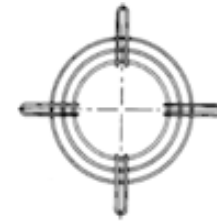
554141
Filter Guard Assembly



550648
Finger Guard



476143
Finger Guard



Comair Rotron, Inc.

Phone: 858.348.6200

FAX: 858.566.4577

sales@comairrotron.com

ThermaFlo, Inc.

Phone: 972.312.8609

FAX: 972.312.8617

info@thermaflo.com

Comair Rotron Europe, Ltd.

Phone: + 44.1527.520525

FAX: + 44.1527.520565

saleseurope@comairrotron.com

Comair Rotron Fan Company Ltd.

Phone: + 86.21.52260581

FAX: + 86.21.52260597

salesasia@comairrotron.com