

## INTRODUCTION

Thank you for purchasing a Honda engine. We want to help you to get the best results from your new engine and to operate it safely. This manual contains information on how to do that; please read it carefully before operating the engine. If a problem should arise, or if you have any questions about your engine, consult an authorized Honda servicing dealer.

All information in this publication is based on the latest product information available at the time of printing. Honda Motor Co., Ltd. reserves the right to make changes at any time without notice and without incurring any obligation. No part of this publication may be reproduced without written permission.


This manual should be considered a permanent part of the engine and should remain with the engine if resold.

Review the instructions provided with the equipment powered by this engine for any additional information regarding engine startup, shutdown, operation, adjustments or any special maintenance instructions.

United States, Puerto Rico, and U.S. Virgin Islands:  
We suggest you read the warranty policy to fully understand its coverage and your responsibilities of ownership. The warranty policy is a separate document that should have been given to you by your dealer.

## SAFETY MESSAGES

Your safety and the safety of others are very important. We have provided important safety messages in this manual and on the engine. Please read these messages carefully.

A safety message alerts you to potential hazards that could hurt you or others. Each safety message is preceded by a safety alert symbol  and one of three words, DANGER, WARNING, or CAUTION.

These signal words mean:

 **DANGER**

You **WILL** be **KILLED** or **SERIOUSLY HURT** if you don't follow instructions.

 **WARNING**

You **CAN** be **KILLED** or **SERIOUSLY HURT** if you don't follow instructions.

 **CAUTION**

You **CAN** be **HURT** if you don't follow instructions.

Each message tells you what the hazard is, what can happen, and what you can do to avoid or reduce injury.

## DAMAGE PREVENTION MESSAGES

You will also see other important messages that are preceded by the word **NOTICE**.

This word means:

**NOTICE**

Your engine or other property can be damaged if you don't follow instructions.

The purpose of these messages is to help prevent damage to your engine, other property, or the environment.

© 2009 Honda Motor Co., Ltd. — All Rights Reserved

GCV520R-GCV530R-GXV530R GCV520U-GCV530U-GXV520U-GXV530U

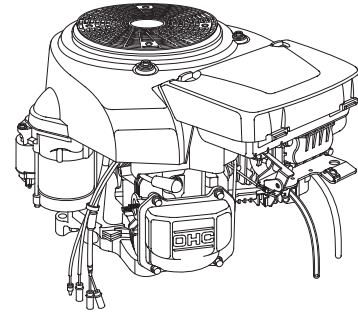
37Z5Z611

00X37-Z5Z-611Z

# HONDA

## OWNER'S MANUAL MANUEL DE L'UTILISATEUR MANUAL DEL PROPIETARIO

### GCV520 · GCV530 · GXV520 · GXV530



### WARNING:



The engine exhaust from this product contains chemicals known to the State of California to cause cancer, birth defects or other reproductive harm.

## CONTENTS

|  |    |   |    |
|--|----|---|----|
| INTRODUCTION .....                     | 1  | COOLING SYSTEM.....   | 10 |
| SAFETY MESSAGES.....                   | 1  | SPARK PLUG .....  | 10 |
| SAFETY INFORMATION .....               | 2  | SPARK ARRESTER .....  | 11 |
| SAFETY LABEL LOCATION .....            | 2  | HELPFUL TIPS &<br>SUGGESTIONS .....                           | 11 |
| COMPONENT & CONTROL<br>LOCATIONS.....  | 2  | STORING YOUR ENGINE....                                       | 11 |
| FEATURES.....                          | 3  | TRANSPORTING .....  | 12 |
| BEFORE OPERATION                       |    | TAKING CARE OF  |    |
| CHECKS .....                           | 3  | UNEXPECTED PROBLEMS ....                                      | 13 |
| OPERATION.....                         | 4  | TECHNICAL & CONSUMER<br>INFORMATION.....                      | 13 |
| SAFE OPERATING<br>PRECAUTIONS .....    | 4  | Serial Number Location .....                                  | 13 |
| STARTING THE ENGINE .....              | 4  | Battery Connections for<br>Electric Starter .....             | 14 |
| STOPPING THE ENGINE .....              | 5  | Remote Control Linkage.....                                   | 14 |
| SETTING ENGINE SPEED.....              | 5  | Carburetor Modifications for<br>High Altitude Operation ..... | 15 |
| SERVICING YOUR ENGINE .....            | 6  | Emission Control System<br>Information .....                  | 15 |
| THE IMPORTANCE OF<br>MAINTENANCE ..... | 6  | Air Index.....  | 16 |
| MAINTENANCE SAFETY.....                | 6  | Specifications .....  | 16 |
| SAFETY PRECAUTIONS.....                | 6  | Tuneup Specifications.....                                    | 17 |
| MAINTENANCE                            |    | Quick Reference   |    |
| SCHEDULE.....                          | 6  | Information .....   | 17 |
| REFUELING .....                        | 7  | Wiring Diagrams .....   | 17 |
| ENGINE OIL.....                        | 7  | CONSUMER INFORMATION..  | 19 |
| Recommended Oil .....                  | 7  | Warranty and Distributor/<br>Dealer Locator                   |    |
| Oil Level Check.....                   | 7  | Information .....   | 19 |
| Oil Change.....                        | 8  | Customer Service  |    |
| OIL FILTER.....                        | 8  | Information .....   | 19 |
| AIR CLEANER.....                       | 9  |   |    |
| Inspection .....                       | 9  |   |    |
| Cleaning .....                         | 9  |   |    |
| FUEL FILTER .....                      | 10 |   |    |

ENGLISH

FRANÇAIS

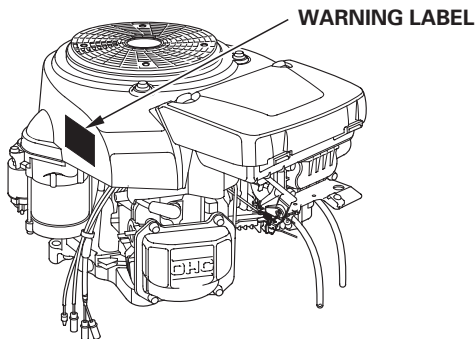
ESPAÑOL

## SAFETY INFORMATION

- Understand the operation of all controls and learn how to stop the engine quickly in case of emergency. Make sure the operator receives adequate instruction before operating the equipment.
- Do not allow children to operate the engine. Keep children and pets away from the area of operation.
- Your engine's exhaust contains poisonous carbon monoxide. Do not run the engine without adequate ventilation, and never run the engine indoors.
- The engine and exhaust become very hot during operation. Keep the engine at least 1 meter (3 feet) away from buildings and other equipment during operation. Keep flammable materials away, and do not place anything on the engine while it is running.

## SAFETY LABEL LOCATION

This label warns you of potential hazards that can cause serious injury. Read it carefully. If the label comes off or becomes hard to read, contact your Honda servicing dealer for replacement.



| WARNING LABEL   | For EU                | Except EU             |
|---|-----------------------|-----------------------|
| <p>Honda Motor Co., Ltd.<br/>MADE IN JAPAN</p>  | attached to product   | supplied with product |
| <p><b>WARNING</b></p> <p>Gasoline is highly flammable and explosive. Turn engine off and let cool before refueling. The engine emits toxic carbon monoxide. Do not run in an enclosed area. Read Owner's Manual before operation.</p> <p>Honda Motor Co., Ltd. MADE IN JAPAN</p>  | supplied with product | attached to product   |
| <p><b>ATTENTION</b></p> <p>L'essence est très inflammable et explosive. Arrêtez le moteur et le laissez refroidir avant de faire le plein d'essence. Le moteur produit les vapeurs nocives de monoxyde de carbone. Ne pas utiliser dans un local clos. Lire le manuel de propriétaire avant l'utilisation.</p> <p>Honda Motor Co., Ltd. MADE IN JAPAN</p> | supplied with product | supplied with product |

Honda factory equipped muffler.

| MUFFLER CAUTION LABEL   |                       |
|---|-----------------------|
| <p><b>CAUTION</b></p> <p>HOT MUFFLER CAN BURN YOU. Stay away if engine has been running.</p>                | supplied with product |
| <p><b>ATTENTION</b></p> <p>L'ÉCHAPPEMENT CHAUD PEUT VOUS BRÛLER. S'ÉLOIGNER QUAND LE MOTEUR FONCTIONNE.</p> | supplied with product |

## COMPONENT & CONTROL LOCATIONS



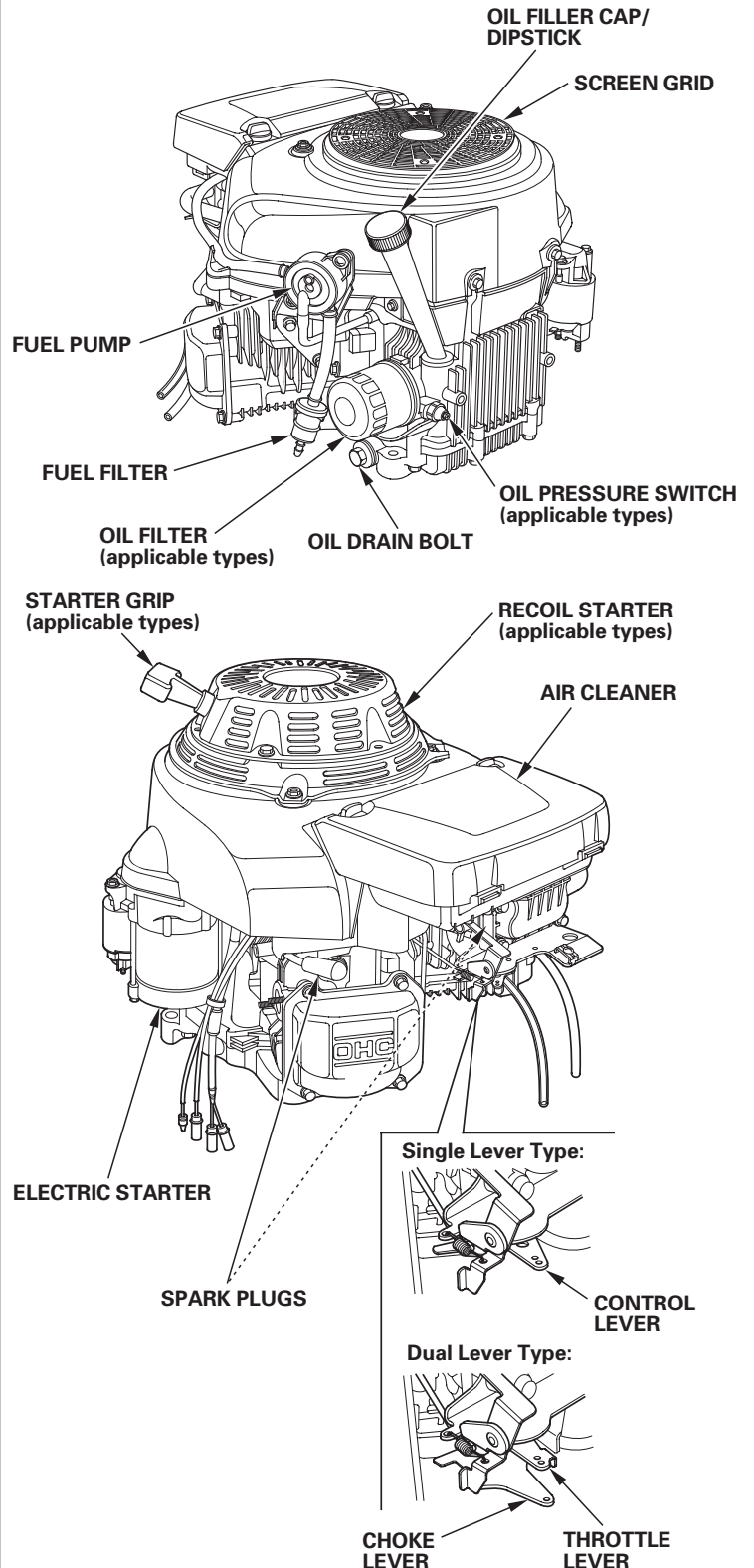
Gasoline is highly flammable and explosive. Stop the engine and let cool before refueling.



The engine emits toxic poisonous carbon monoxide gas. Do not run in an enclosed area.



Read Owner's Manual before operation.



## FEATURES

### Fuel-cut Solenoid

The engine is equipped with a fuel-cut solenoid that allows fuel to flow to the carburetor main jet when the engine switch is in the ON or START position and stops the flow of fuel to the main jet when the engine switch is in the OFF position.

The engine must be connected to the battery to energize the fuel-cut solenoid, allowing the engine to run. If the battery is disconnected, fuel flow to the carburetor will stop.

### Oil Pressure Switch (applicable types):

The engine is equipped with an oil pressure switch to prevent damage from lack of lubrication or overheating.

If the oil pressure alarm lamp comes on, check the engine oil level and add the correct engine oil if necessary (see page 7). To restart the engine, turn the engine switch to the OFF position. Next, start according to the starting procedure.

If the oil pressure alarm lamp continues to light even through the engine oil level is correct, stop operating the engine and see an authorized Honda servicing dealers.

## BEFORE OPERATION CHECKS

### IS YOUR ENGINE READY TO GO?

For your safety, to ensure compliance with environmental regulations, and to maximize the service life of your equipment, it is very important to take a few moments before you operate the engine to check its condition. Be sure to take care of any problem you find, or have your servicing dealer correct it, before you operate the engine.

#### WARNING

Improperly maintaining this engine, or failure to correct a problem before operation, can cause a malfunction in which you can be seriously hurt or killed.

Always perform a pre-operation inspection before each operation, and correct any problem.

Before beginning your pre-operation checks, be sure the engine is level and the engine switch is in the OFF position.

Always check the following items before you start the engine:

#### Check the General Condition of the Engine

1. Look around and underneath the engine for signs of oil or gasoline leaks.
2. Remove any excessive dirt or debris, especially around the muffler and recoil starter.
3. Remove any objects or debris that may block the cooling air intake at the recoil starter/fan cover. Running the engine with a blocked air intake can cause engine damage.
4. Look for signs of damage.
5. Check that all shields and covers are in place, and all nuts, bolts, and screws are tightened.

#### Check the Engine

1. Check the fuel level. Starting with a full tank will help to eliminate or reduce operating interruptions for refueling.
2. Check the engine oil level (see page 7 ). Running the engine with a low oil level can cause engine damage.
3. Check the air filter element (see page 9 ). A dirty air filter element will restrict air flow to the carburetor, reducing engine performance.

#### Check the Equipment Powered by This Engine

Review the instructions provided with the equipment powered by this engine for any precautions and procedures that should be followed before engine startup.

# OPERATION

## SAFE OPERATING PRECAUTIONS

Before operating the engine for the first time, please review the *SAFETY INFORMATION* section on page 2 and the *BEFORE OPERATION CHECKS* on page 3.

For your safety, do not operate the engine in an enclosed area such as a garage. Your engine's exhaust contains poisonous carbon monoxide gas that can collect rapidly in an enclosed area and cause illness or death.

### ⚠ WARNING

Exhaust contains poisonous carbon monoxide gas that can build up to dangerous levels in closed areas. Breathing carbon monoxide can cause unconsciousness or death.

Never run the engine in a closed, or even partly closed area where people may be present.

Review the instructions provided with the equipment powered by this engine for any safety precautions that should be observed with engine startup, shutdown or operation.

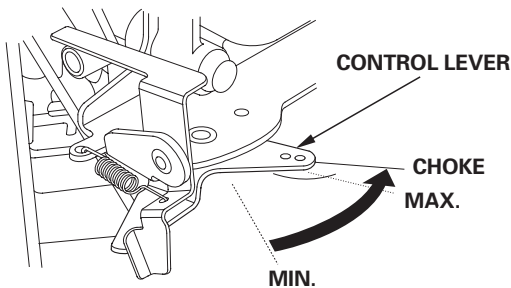
## STARTING THE ENGINE

1. If the fuel tank is equipped with a valve, be sure the fuel valve is in the OPEN or ON position before attempting to start the engine.

### 2. SINGLE LEVER TYPE:

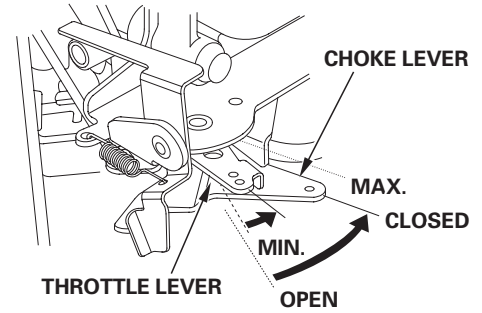
To start a cold engine, move the control lever to the CHOKE position.

To restart a warm engine, leave the control lever in the MIN. position.



### DUAL LEVER TYPE:

To start a cold engine, move the choke lever to the CLOSED position and move the throttle lever away from the MIN. position, about 1/3 of the way toward the MAX. position.



Some engine applications use a remote-mounted control rather than the engine-mounted lever shown here. Refer to the instructions provided by the equipment manufacturer.

3. Turn the engine switch to the ON position.

4. Operate the starter.

### ELECTRIC STARTER:

Turn the key to the START position, and hold it there until the engine starts.

If the engine fails to start within 5 seconds, release the key, and wait at least 10 seconds before operating the starter again.

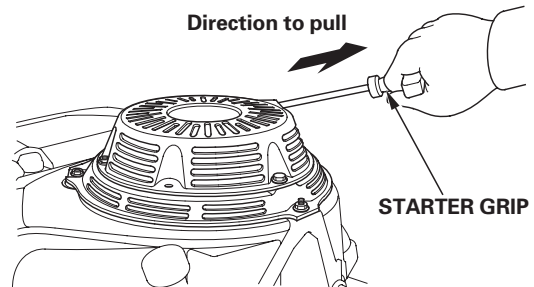
### NOTICE

*Using the electric starter for more than 5 seconds at a time will overheat the starter motor and can damage it.*

When the engine starts, release the key, allowing it to return to the ON position.

### RECOIL STARTER (applicable types):

Pull the starter grip lightly until you feel resistance, then pull briskly in the direction of the arrow as shown below. Return the starter grip gently.

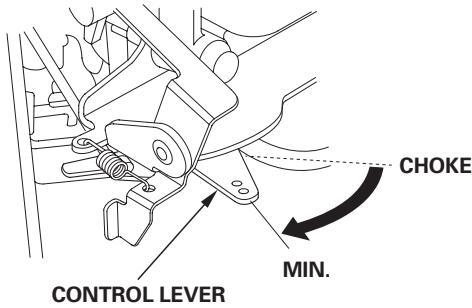


### NOTICE

*Do not allow the starter grip to snap back against the engine. Return it gently to prevent damage to the starter.*

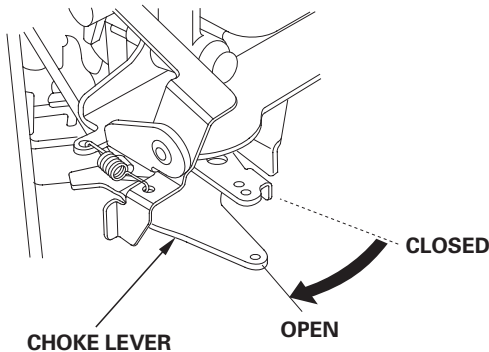
### 5. SINGLE LEVER TYPE:

If the control lever has been moved to the CHOKE position to start the engine, gradually move it to the MIN. position as the engine warms up.



### DUAL LEVER TYPE:

If the choke lever was moved to the CLOSED position to start the engine, gradually move it to the OPEN position as the engine warms up.



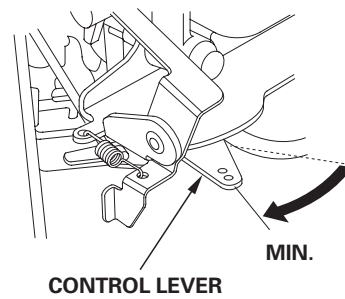
## STOPPING THE ENGINE

To stop the engine in an emergency, simply turn the engine switch to the OFF position. Under normal conditions, use the following procedure. Refer to the instructions provided by the equipment manufacturer.

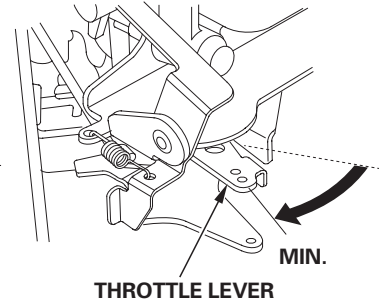
1. Move the control lever (single lever type) or throttle lever (dual lever type) to the MIN. position.

Some engine applications use a remote-mounted throttle control rather than the engine-mounted throttle lever shown here.

### SINGLE LEVER TYPE



### DUAL LEVER TYPE



2. Turn the engine switch to the OFF position.

3. If the fuel tank is equipped with a valve, turn the fuel valve to the CLOSED or OFF position.

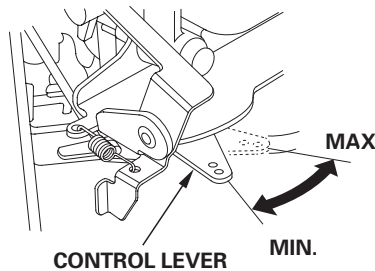
## SETTING ENGINE SPEED

Position the control lever (single lever type) or throttle lever (dual lever type) for the desired engine speed.

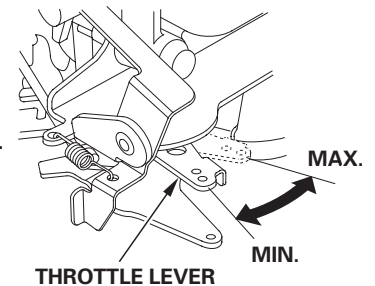
Some engine applications use a remote-mounted control rather than the engine-mounted lever shown here. Refer to the instructions provided by the equipment manufacturer.

For engine speed recommendations, refer to the instructions provided with the equipment powered by this engine.

### SINGLE LEVER TYPE



### DUAL LEVER TYPE



Do not disconnect the battery from the engine while the engine is running. Disconnecting the battery causes the fuel-cut solenoid to shut off the flow of fuel to the carburetor main jet, and the engine will stop.

# SERVICING YOUR ENGINE

## THE IMPORTANCE OF MAINTENANCE

Good maintenance is essential for safe, economical, and trouble-free operation. It will also help reduce pollution.

### ⚠ WARNING

Improper maintenance, or failure to correct a problem before operation, can cause a malfunction in which you can be seriously hurt or killed.

Always follow the inspection and maintenance recommendations and schedules in this owner's manual.

To help you properly care for your engine, the following pages include a maintenance schedule, routine inspection procedures, and simple maintenance procedures using basic hand tools. Other service tasks that are more difficult, or require special tools, are best handled by professionals and are normally performed by a Honda technician or other qualified mechanic.

The maintenance schedule applies to normal operating conditions. If you operate your engine under severe conditions, such as sustained high-load or high-temperature operation, or use in unusually wet or dusty conditions, consult your Honda servicing dealer for recommendations applicable to your individual needs and use.

**Maintenance, replacement, or repair of the emission control devices and systems may be performed by any engine repair establishment or individual, using parts that are "certified" to EPA standards.**

## MAINTENANCE SAFETY

Some of the most important safety precautions follow. However, we cannot warn you of every conceivable hazard that can arise in performing maintenance. Only you can decide whether or not you should perform a given task.

### ⚠ WARNING

Failure to properly follow maintenance instructions and precautions can cause you to be seriously hurt or killed.

Always follow the procedures and precautions in this owner's manual.

## SAFETY PRECAUTIONS

- Make sure the engine is off before you begin any maintenance or repairs. To prevent accidental startup, disconnect the spark plug cap. This will eliminate several potential hazards:
  - **Carbon monoxide poisoning from engine exhaust.**  
Operate outside, away from open windows or doors.
  - **Burns from hot parts.**  
Let the engine and exhaust system cool before touching.
  - **Injury from moving parts.**  
Do not run the engine unless instructed to do so.
- Read the instructions before you begin, and make sure you have the tools and skills required.

- To reduce the possibility of fire or explosion, be careful when working around gasoline. Use only a non-flammable solvent, not gasoline, to clean parts. Keep cigarettes, sparks and flames away from all fuel related parts.

Remember that an authorized Honda servicing dealer knows your engine best and is fully equipped to maintain and repair it.

To ensure the best quality and reliability, use only new Honda Genuine parts or their equivalents for repair and replacement.

## MAINTENANCE SCHEDULE

| REGULAR SERVICE PERIOD (3)<br>Perform at every indicated month or operating hour interval, whichever comes first. |               | Each Use | First Month or 20 Hrs                    | Every 3 Months or 50 Hrs | Every 6 Months or 100 Hrs | Every Year or 200 Hrs | Refer to Page |
|---|---------------|----------|--|--------------------------|---------------------------|-----------------------|---------------|
| ITEM  |               |          |  |                          |                           |                       |               |
| Engine oil  | Check level   | ○        |  |                          |                           |                       | 7             |
|   | Change        |          | ○  |                          | ○                         |                       | 8             |
| Oil filter (applicable types)   | Replace       |          |  |                          | ○                         |                       | 8             |
| Air cleaner   | Check         | ○        |  |                          |                           |                       | 9             |
|   | Clean         |          |  | ○ (1)                    |                           |                       | 9             |
|   | Replace       |          |  |                          |                           | ○ *                   |               |
| Spark plugs   | Check-adjust  |          |  |                          | ○                         |                       | 10            |
|   | Replace       |          |  |                          |                           | ○                     |               |
| Spark arrester (applicable types)   | Clean         |          |  |                          | ○ (5)                     |                       | 11            |
| Cooling system  | Clean         |          |  |                          |                           | ○                     | 10            |
| Idle speed  | Check-adjust  |          |  |                          |                           | ○ (2)                 | Shop manual   |
| Valve clearance   | Check-adjust  |          |  |                          |                           | ○ (2)                 | Shop manual   |
| Timing belt   | Check         |          | After every 300 Hrs (2)(4)               |                          |                           |                       | Shop manual   |
| Combustion chamber  | Clean         |          | After every 1000 Hrs (2)                 |                          |                           |                       | Shop manual   |
| Fuel filter   | Check-replace |          |  |                          |                           | ○ (2)                 | Shop manual   |
| Fuel tube   | Check         |          | Every 2 years (Replace if necessary) (2) |                          |                           |                       | Shop manual   |

\* Replace paper element type only.

- (1) Service more frequently when used in dusty areas.
- (2) These items should be serviced by your servicing dealer, unless you have the proper tools and are mechanically proficient. Refer to the Honda shop manual for service procedures.
- (3) For commercial use, log hours of operation to determine proper maintenance intervals.
- (4) Check that there is no crack and abnormal wear-out in the belt, and replace if it is abnormal.
- (5) In Europe and other countries where the machinery directive 2006/42/EC is enforced, this cleaning should be done by your servicing dealer.

Failure to follow this maintenance schedule could result in non-warrantable failures.

## REFUELING

### Recommended Fuel

| Unleaded gasoline |                                     |
|-------------------|-------------------------------------|
| U.S.              | Pump octane rating 86 or higher     |
| Except U.S.       | Research octane rating 91 or higher |
|                   | Pump octane rating 86 or higher     |

This engine is certified to operate on unleaded gasoline with a pump octane rating of 86 or higher (a research octane rating of 91 or higher).

Refuel in a well ventilated area with the engine stopped. If the engine has been running, allow it to cool first. Never refuel the engine inside a building where gasoline fumes may reach flames or sparks.

You may use unleaded gasoline containing no more than 10% ethanol (E10) or 5% methanol by volume. In addition, methanol must contain cosolvents and corrosion inhibitors. Use of fuels with content of ethanol or methanol greater than shown above may cause starting and/or performance problems. It may also damage metal, rubber, and plastic parts of the fuel system. Engine damage or performance problems that result from using a fuel with percentages of ethanol or methanol greater than shown above are not covered under the Warranty.

If your equipment will be used on an infrequent or intermittent basis, please refer to the fuel section of the **STORING YOUR ENGINE** chapter (see page 11) for additional information regarding fuel deterioration.

Never use stale or contaminated gasoline or an oil/gasoline mixture. Avoid getting dirt or water in the fuel tank.

### **⚠ WARNING**

Gasoline is highly flammable and explosive, and you can be burned or seriously injured when refueling.

- Stop the engine and keep heat, sparks, and flame away.
- Refuel only outdoors.
- Wipe up spills immediately.

### **NOTICE**

*Fuel can damage paint and some types of plastic. Be careful not to spill fuel when filling your fuel tank. Damage caused by spilled fuel is not covered under the Distributor's Limited Warranty.*

Refuel carefully to avoid spilling fuel. After refueling, tighten the fuel tank cap securely.

Keep gasoline away from appliance pilot lights, barbecues, electric appliances, power tools, etc.

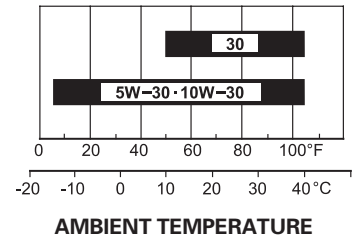
Spilled fuel is not only a fire hazard, it causes environmental damage. Wipe up spills immediately.

## ENGINE OIL

Oil is a major factor affecting performance and service life. Use 4-stroke automotive detergent oil.

### Recommended Oil

Use 4-stroke motor oil that meets or exceeds the requirements for API service category SJ or later (or equivalent). Always check the API service label on the oil container to be sure it includes the letters SJ or later (or equivalent).

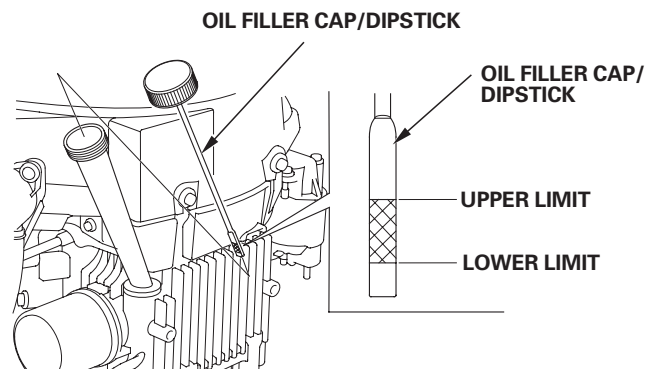


SAE 10W-30 is recommended for general use. Other viscosities shown in the chart may be used when the average temperature in your area is within the indicated range.

### Oil Level Check

Check the engine oil level with the engine stopped and in a level position.

1. Remove the oil filler cap/dipstick and wipe it clean.
2. Insert the oil filler cap/dipstick into the oil filler neck, but do not screw it in, then remove it to check the oil level.
3. If the oil level is near or below the lower limit mark on the dipstick, fill with the recommended oil to the upper limit mark. Do not overfill.
4. Reinstall the oil filler cap/dipstick.



### **NOTICE**

*Running the engine with a low oil level can cause engine damage. This type of damage is not covered by the Distributor's Limited Warranty.*

## Oil Change

Drain the used oil when the engine is warm. Warm oil drains quickly and completely.

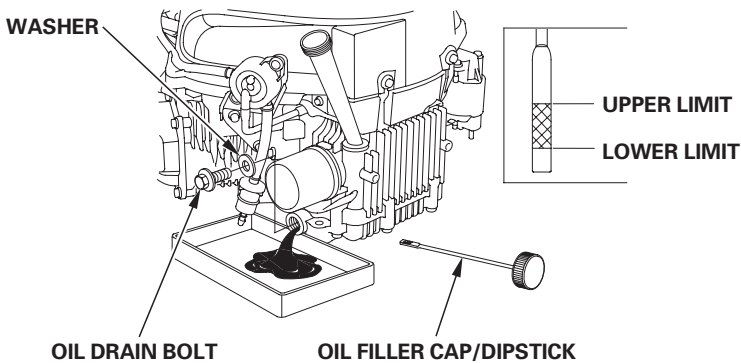
1. Place a suitable container below the engine to catch the used oil, then remove the oil filler cap/dipstick, drain bolt and washer.
2. Allow the used oil to drain completely, then reinstall the drain bolt and new washer, and tighten the drain bolt securely.

Please dispose of used motor oil in a manner that is compatible with the environment. We suggest you take used oil in a sealed container to your local recycling center or service station for reclamation. Do not throw it in the trash, pour it on the ground, or pour it down a drain.

3. With the engine in a level position, fill to the upper limit mark on the dipstick with the recommended oil (see page 7).

### NOTICE

*Running the engine with a low oil level can cause engine damage. This type of damage is not covered by the Distributor's Limited Warranty.*



4. Install the oil filler cap/dipstick securely.

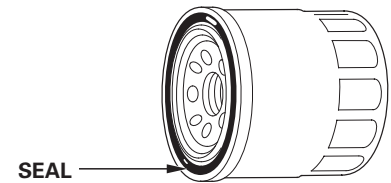
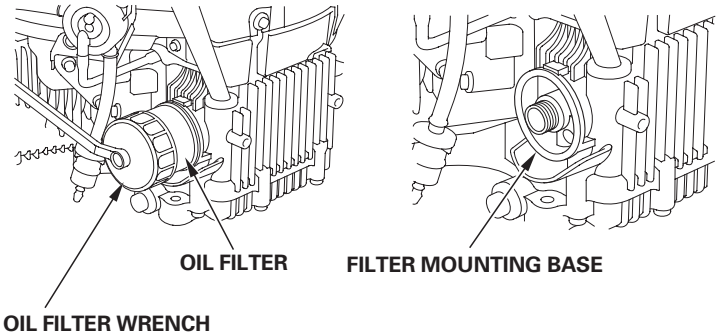
## OIL FILTER (applicable types)

### Oil Filter Change

1. Drain the engine oil, and retighten the drain bolt securely.
2. Remove the oil filter with an oil filter wrench, and drain the remaining oil into a suitable container. Dispose the used oil and filter in a manner compatible with the environment.

### NOTICE

*Use an oil filter wrench, rather than a strap wrench, to avoid striking and damaging the oil filter.*



3. Clean the filter mounting base, and coat the seal of the new oil filter with clean engine oil.

### NOTICE

*Use only a Honda Genuine oil filter or a filter of equivalent quality specified for your model. Using the wrong filter, or a non-Honda filter which is not of equivalent quality, may cause engine damage.*

4. Screw on the new oil filter by hand until the seal contacts the filter mounting base, then use an oil filter wrench to tighten the filter an additional 7/8 turn.

Oil filter tightening torque: 12 N·m (1.2 kgf·m , 9 lbf·ft)

5. Refill the crankcase with the specified amount of the recommended oil (see page 7 ). Reinstall the oil filler cap/ dipstick.
6. Start the engine, and check for leaks.
7. Stop the engine, and check the oil level as described on page 7 . If necessary, add oil to bring the oil level to the upper limit mark on the dipstick.



## AIR CLEANER

A dirty air cleaner will restrict air flow to the carburetor, reducing engine performance. If you operate the engine in very dusty areas, clean the air filter more often than specified in the MAINTENANCE SCHEDULE.

### NOTICE

*Operating the engine without an air filter, or with a damaged air filter, will allow dirt to enter the engine, causing rapid engine wear. This type of damage is not covered by the Distributor's Limited Warranty.*

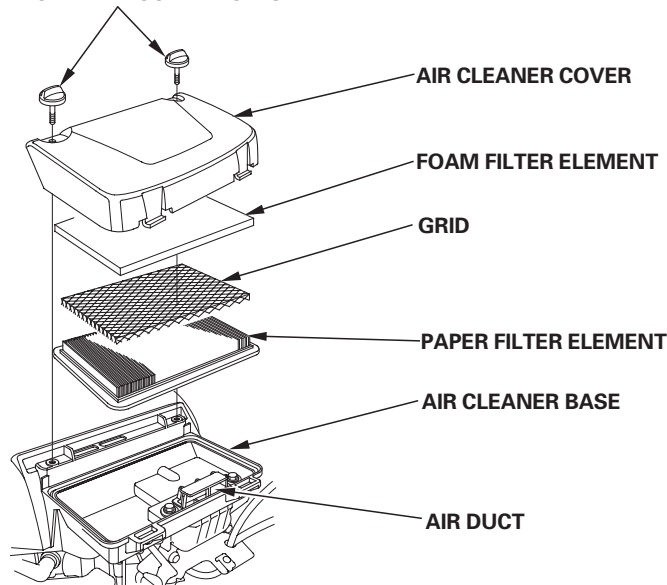
### Inspection

Remove the air cleaner cover and inspect the filter elements. Clean or replace dirty filter elements. Always replace damaged filter elements.

### Cleaning

1. Remove the two air cleaner cover bolts from the air cleaner cover, and remove the cover.
2. Remove the foam filter element.
3. Remove the paper filter element from the grid.

#### AIR CLEANER COVER BOLTS



4. Inspect both air filter elements, and replace them if they are damaged. Always replace the paper air filter element at the scheduled interval (see page 6).

5. Clean the air filter elements if they are to be reused.

Paper air filter element: Tap the filter element several times on a hard surface to remove dirt, or blow compressed air [not exceeding 207 kPa (2.1 kgf/cm<sup>2</sup>, 30 psi)] through the filter element from the inside. Never try to brush off dirt; brushing will force dirt into the fibers.

Foam air filter element: Clean in warm soapy water, rinse, and allow to dry thoroughly. Or clean in non-flammable solvent and allow to dry. Dip the filter element in clean engine oil, then squeeze out all excess oil. The engine will smoke when started if too much oil is left in the foam.

### NOTICE

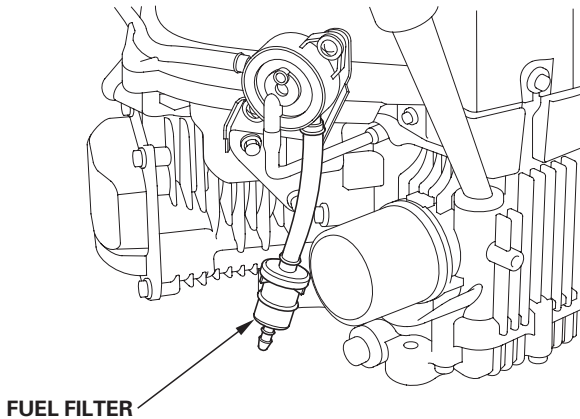
*Excess oil will restrict air flow through the foam filter element and may transfer to the paper filter element, soaking and clogging it.*

6. Wipe dirt from the inside of the air cleaner base and cover, using a moist rag. Be careful to prevent dirt from entering the air duct that leads to the carburetor.
7. Place the foam filter element into the air cleaner cover.
8. Install the grid over the paper filter element then install the assembly into the air cleaner base. The grid must be placed between the foam element and the paper element to prevent oil from transferring to the paper element.
9. Install the cover and tighten the two air cleaner cover bolts securely.

## FUEL FILTER

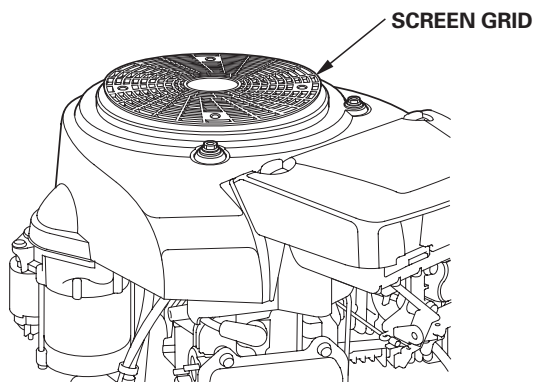
### Inspection

Check the fuel filter for water accumulation or sediment. If the fuel filter is found with excessive water accumulation or sediment, take the engine to your authorized Honda servicing dealer.



## COOLING SYSTEM

Check the screen grid for blockage and remove the blockage if necessary.



## SPARK PLUG

**Recommended Spark Plugs:** BPR5ES (NGK)  
W16EPR-U (DENSO)

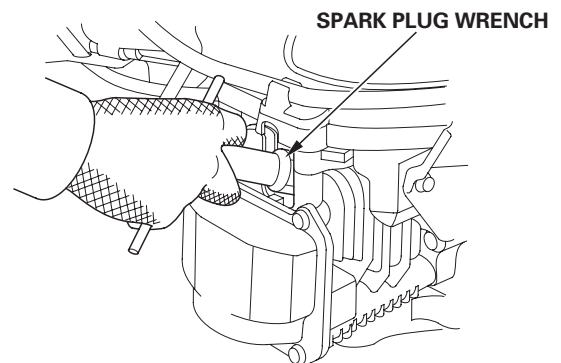
The recommended spark plugs have the correct heat range for normal engine operating temperatures.

### NOTICE

*Incorrect spark plugs can cause engine damage.*

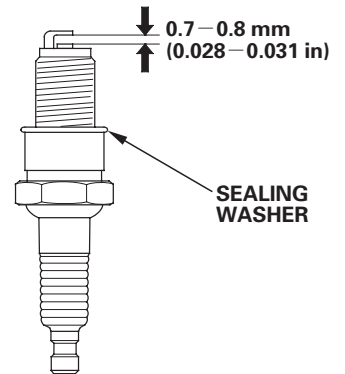
For good performance, the spark plugs must be properly gapped and free of deposits.

1. Disconnect the spark plug caps, and remove any dirt from around the spark plug area.
2. Remove the spark plugs with a 13/16-inch spark plug wrench.



3. Inspect the spark plugs. Replace them if damaged, badly fouled, if the sealing washer is in poor condition, or if the electrode is worn.

4. Measure the spark plug electrode gaps with a wire-type feeler gauge. Correct the gap, if necessary, by carefully bending the side electrode. The gap should be:  
0.7 – 0.8 mm (0.028 – 0.031 in)



5. Install the spark plug carefully, by hand, to avoid cross-threading.

6. After the spark plug is seated, tighten with a 13/16-inch spark plug wrench to compress the sealing washer.

When installing a new spark plug, tighten 1/2 turn after the spark plug seats to compress the washer.

When reinstalling the original spark plug, tighten 1/8 – 1/4 turn after the spark plug seats to compress the washer.

### NOTICE

*A loose spark plug can overheat and damage the engine. Overtightening the spark plug can damage the threads in the cylinder head.*

7. Attach the spark plug caps to the spark plugs.

## SPARK ARRESTER (applicable types)

In Europe and other countries where the machinery directive 2006/42/EC is enforced, this cleaning should be done by your servicing dealer.

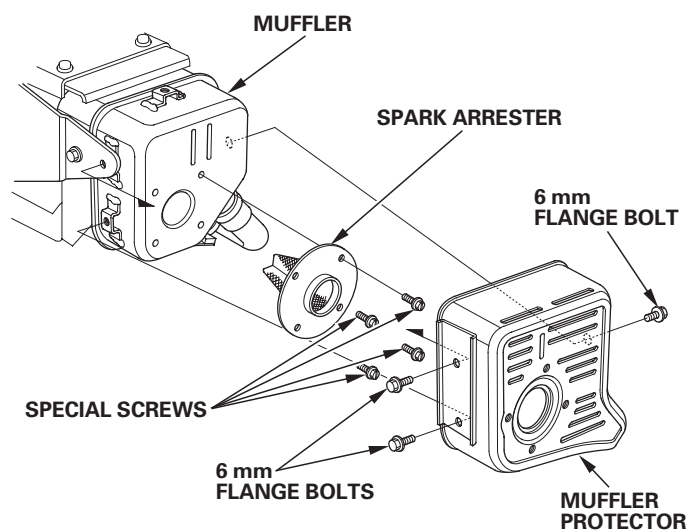
Your engine is not factory-equipped with a spark arrester. The spark arrester is optional part. In some areas, it is illegal to operate an engine without a spark arrester. Check local laws and regulations. A spark arrester is available from authorized Honda servicing dealers.

The spark arrester must be serviced every 100 hours to keep it functioning as designed.

If the engine has been running, the muffler will be hot. Allow it to cool before servicing the spark arrester.

### Spark Arrester Cleaning

1. Remove the three 6 mm flange bolts from the muffler protector, and remove the muffler protector.
2. Remove the four special screws from the spark arrester and remove the spark arrester from the muffler.



3. Use a brush to remove carbon deposits from the spark arrester screen. Be careful to avoid damaging the screen.

The spark arrester must be free of breaks and holes. Replace the spark arrester if it is damaged.



SPARK ARRESTER SCREEN

4. Install the spark arrester and muffler protector in the reverse order of disassembly.

## HELPFUL TIPS & SUGGESTIONS

### STORING YOUR ENGINE

#### Storage Preparation

Proper storage preparation is essential for keeping your engine trouble-free and looking good. The following steps will help to keep rust and corrosion from impairing your engine's function and appearance, and will make the engine easier to start when you use it again.

#### Cleaning

If the engine has been running, allow it to cool for at least half an hour before cleaning. Clean all exterior surfaces, touch up any damaged paint, and coat other areas that may rust with a light film of oil.

#### NOTICE

*Using a garden hose or pressure washing equipment can force water into the air cleaner or muffler opening. Water in the air cleaner will soak the air filter, and water that passes through the air filter or muffler can enter the cylinder, causing damage.*

#### Fuel

#### NOTICE

*Depending on the region where you operate your equipment, fuel formulations may deteriorate and oxidize rapidly. Fuel deterioration and oxidation can occur in as little as 30 days and may cause damage to the carburetor and/or fuel system. Please check with your servicing dealer for local storage recommendations.*

Gasoline will oxidize and deteriorate in storage. Deteriorated gasoline will cause hard starting, and it leaves gum deposits that clog the fuel system. If the gasoline in your engine deteriorates during storage, you may need to have the carburetor and other fuel system components serviced or replaced.

The length of time that gasoline can be left in your fuel tank and carburetor without causing functional problems will vary with such factors as gasoline blend, your storage temperatures, and whether the fuel tank is partially or completely filled. The air in a partially filled fuel tank promotes fuel deterioration. Very warm storage temperatures accelerate fuel deterioration. Fuel deterioration problems may occur within a few months, or even less if the gasoline was not fresh when you filled the fuel tank.

Fuel system damage or engine performance problems resulting from neglected storage preparation are not covered under the *Distributor's Limited Warranty*.

You can extend fuel storage life by adding a gasoline stabilizer that is formulated for that purpose, or you can avoid fuel deterioration problems by draining the fuel tank and carburetor.

#### Adding a Gasoline Stabilizer to Extend Fuel Storage Life

When adding a gasoline stabilizer, fill the fuel tank with fresh gasoline. If only partially filled, air in the tank will promote fuel deterioration during storage. If you keep a container of gasoline for refueling, be sure that it contains only fresh gasoline.

1. Add gasoline stabilizer following the manufacturer's instructions.
2. After adding a gasoline stabilizer, run the engine outdoors for 10 minutes to be sure that treated gasoline has replaced the untreated gasoline in the carburetor.
3. Stop the engine, and if the fuel tank is equipped with a fuel valve, move the fuel valve to the CLOSED or OFF position.

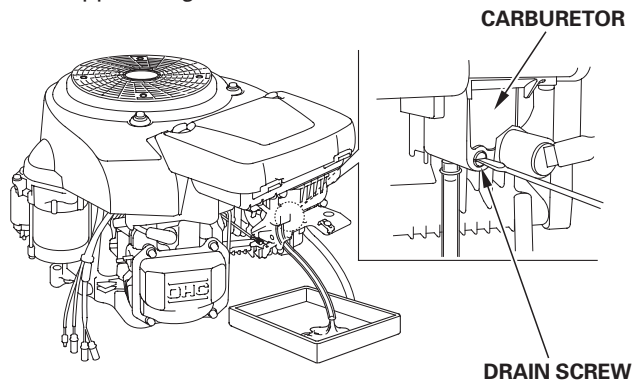
## Draining the Fuel Tank and Carburetor

### **⚠ WARNING**

Gasoline is highly flammable and explosive, and you can be burned or seriously injured when handling fuel.

- Stop the engine and keep heat, sparks, and flame away.
- Handle fuel only outdoors.
- Wipe up spills immediately.

1. Disconnect the fuel line to the engine, and drain the fuel tank into an approved gasoline container. If the fuel tank is equipped with a valve, turn the fuel valve to the OPEN or ON position to enable draining. After draining is completed, reconnect the fuel line.
2. Loosen the carburetor drain screw, and drain the carburetor into an approved gasoline container.



3. After all the fuel has drained into the container, tighten the drain screw securely.

### Engine Oil

1. Change the engine oil (see page 8 ).
2. Remove the spark plugs (see page 10 ).
3. Pour a teaspoon 5–10 cm<sup>3</sup> (5–10 cc) of clean engine oil into each cylinder.
4. Turn the engine for a few seconds by turning the engine switch to the START position to distribute the oil in the cylinders.
5. Reinstall the spark plugs.

### Storage Precautions

If your engine will be stored with gasoline in the fuel tank and carburetor, it is important to reduce the hazard of gasoline vapor ignition. Select a well ventilated storage area away from any appliance that operates with a flame, such as a furnace, water heater, or clothes dryer. Also avoid any area with a spark-producing electric motor, or where power tools are operated.

If possible, avoid storage areas with high humidity, because that promotes rust and corrosion.

Keep the engine level in storage. Tilting can cause fuel or oil leakage.

With the engine and exhaust system cool, cover the engine to keep out dust. A hot engine and exhaust system can ignite or melt some materials. Do not use sheet plastic as a dust cover. A nonporous cover will trap moisture around the engine, promoting rust and corrosion.

Remove the battery and store it in a cool, dry place. Recharge the battery once a month while the engine is in storage. This will help to extend the service life of the battery.

### Removal from Storage

Check your engine as described in the *BEFORE OPERATION CHECKS* section of this manual (see page 3 ).

If the fuel was drained during storage preparation, fill the tank with fresh gasoline. If you keep a container of gasoline for refueling, be sure it contains only fresh gasoline. Gasoline oxidizes and deteriorates over time, causing hard starting.

If the cylinders were coated with oil during storage preparation, the engine may smoke briefly at startup. This is normal.

### TRANSPORTING

If the engine has been running, allow it to cool for at least 15 minutes before loading the engine-powered equipment on the transport vehicle. A hot engine and exhaust system can burn you and can ignite some materials.

Keep the engine level when transporting to reduce the possibility of fuel leakage. If the fuel tank is equipped with a fuel valve, move the fuel valve to the CLOSED or OFF position.

## TAKING CARE OF UNEXPECTED PROBLEMS

| ENGINE WILL NOT START  | Possible Cause  | Correction  |
|--|---|---|
| 1. Check battery and fuse.   | Battery discharged.   | Recharge battery.   |
|  | Fuse burnt out.   | Replace fuse  |
| 2. Check control positions.  | Fuel valve OFF. (If equipped)   | Move lever to ON or OPEN position.  |
|  | Choke OPEN.   | Move lever to CHOKE (CLOSED) position unless the engine is warm.                  |
|  | Engine switch OFF.  | Turn engine switch to ON position.  |
| 3. Check fuel.   | Out of fuel.  | Refuel (p. 7).  |
|  | Bad fuel; engine stored without treating or draining gasoline, or refueled with bad gasoline. | Drain fuel tank and carburetor (p. 12). Refuel with fresh gasoline (p. 7).        |
| 4. Remove and inspect spark plugs.   | Spark plug(s) faulty, fouled, or improperly gapped.   | Gap or replace spark plug(s) (p. 10).   |
|  | Spark plug(s) wet with fuel (flooded engine).   | Dry and reinstall spark plugs. Start engine with throttle lever in MAX. position. |
| 5. Take engine to an authorized Honda servicing dealer, or refer to shop manual. | Fuel filter restricted, carburetor malfunction, ignition malfunction, valves stuck, etc.      | Replace or repair faulty components as necessary.                                 |

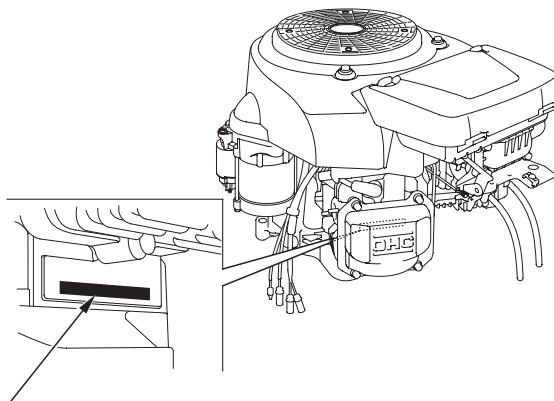
| ENGINE LACKS POWER   | Possible Cause  | Correction   |
|--|---|--|
| 1. Check air filter.   | Filter element(s) restricted.   | Clean or replace filter element(s) (p. 9).                                 |
| 2. Check fuel.   | Bad fuel; engine stored without treating or draining gasoline, or refueled with bad gasoline. | Drain fuel tank and carburetor (p. 12). Refuel with fresh gasoline (p. 7). |
| 3. Take engine to an authorized Honda servicing dealer, or refer to shop manual. | Fuel filter restricted, carburetor malfunction, ignition malfunction, valves stuck, etc.      | Replace or repair faulty components as necessary.                          |

## TECHNICAL & CONSUMER INFORMATION

### TECHNICAL INFORMATION

#### Serial Number Location

Record the engine serial number, type and purchase date in the spaces below. You will need this information when ordering parts and when making technical or warranty inquiries.



#### SERIAL NUMBER & ENGINE TYPE LOCATION

Engine serial number: \_\_\_\_\_

Engine type: \_\_\_\_\_

Date Purchased: \_\_\_\_ / \_\_\_\_ / \_\_\_\_

## Battery Connections for Electric Starter

### Recommended Battery

|        |            |
|--------|------------|
| GCV520 | 12 V—30 Ah |
| GXV520 |            |
| GCV530 | 12 V—30 Ah |
| GXV530 |            |

Be careful not to connect the battery in reverse polarity, as this will short circuit the battery charging system. Always connect the positive (+) battery cable to the battery terminal before connecting the negative (−) battery cable, so your tools cannot cause a short circuit if they touch a grounded part while tightening the positive (+) battery cable end.

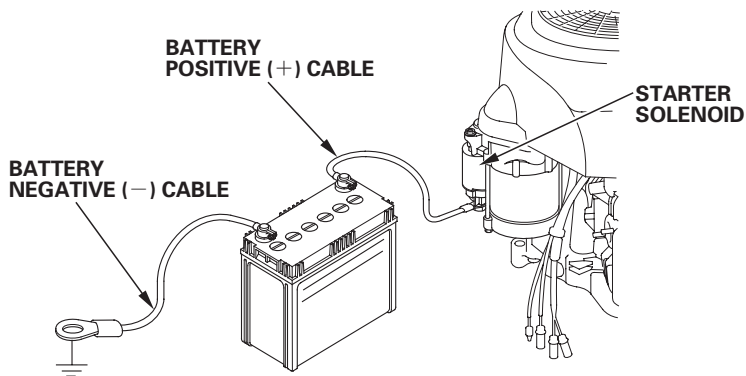
### ⚠ WARNING

A battery can explode if you do not follow the correct procedure, seriously injuring anyone nearby.

Keep all sparks, open flames, and smoking materials away from the battery.

**WARNING:** Battery posts, terminals, and related accessories contain lead and lead compounds. **Wash hands after handling.**

1. Connect the battery positive (+) cable to the starter solenoid terminal as shown.
2. Connect the battery negative (−) cable to an engine mounting bolt, frame bolt, or other good engine ground connection.
3. Connect the battery positive (+) cable to the battery positive (+) terminal as shown.
4. Connect the battery negative (−) cable to the battery negative (−) terminal as shown.
5. Coat the terminals and cable ends with grease.

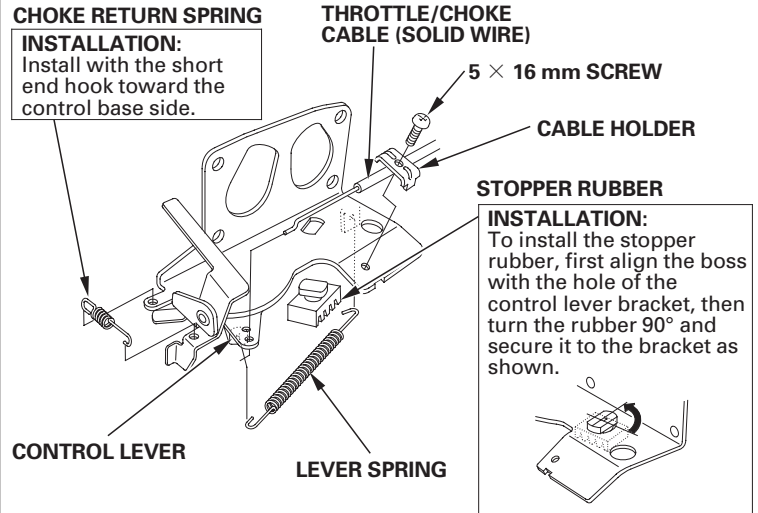


## Remote Control Linkage

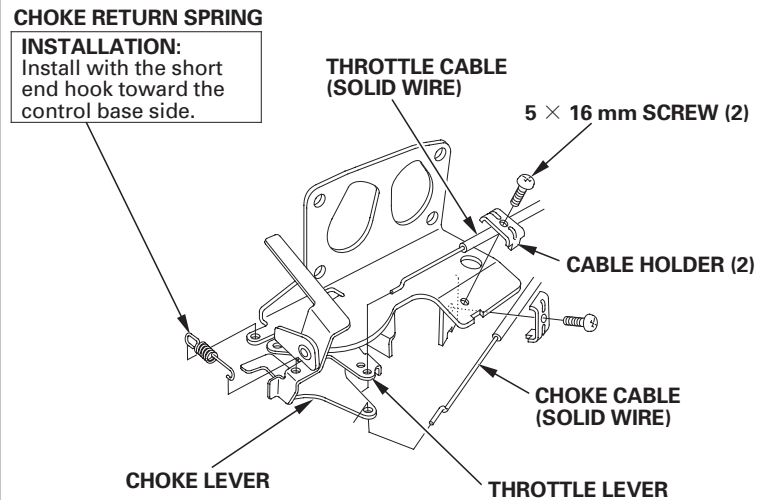
The throttle and choke control levers are provided with holes for optional cable attachment.

The following illustrations show installation examples for a solid wire cable. Do not use a braided wire cable.

### Single Lever Type:



### Dual Lever Type:



## Carburetor Modifications for High Altitude Operation

At high altitude, the standard carburetor air-fuel mixture will be too rich. Performance will decrease, and fuel consumption will increase. A very rich mixture will also foul the spark plug and cause hard starting. Operation at an altitude that differs from that at which this engine was certified, for extended periods of time, may increase emissions.

High altitude performance can be improved by specific modifications to the carburetor. If you always operate your engine at altitudes above 1,500 meters (5,000 feet), have your servicing dealer perform this carburetor modification. This engine, when operated at high altitude with the carburetor modifications for high altitude use, will meet each emission standard throughout its useful life.

Even with carburetor modification, engine horsepower will decrease about 3.5% for each 300 meter (1,000 foot) increase in altitude. The effect of altitude on horsepower will be greater than this if no carburetor modification is made.

### NOTICE

*When the carburetor has been modified for high altitude operation, the air-fuel mixture will be too lean for low altitude use. Operation at altitudes below 1,500 meters (5,000 feet) with a modified carburetor may cause the engine to overheat and result in serious engine damage. For use at low altitudes, have your servicing dealer return the carburetor to original factory specifications.*

## Emission Control System Information

### Source of Emissions

The combustion process produces carbon monoxide, oxides of nitrogen, and hydrocarbons. Control of hydrocarbons and oxides of nitrogen is very important because, under certain conditions, they react to form photochemical smog when subjected to sunlight. Carbon monoxide does not react in the same way, but it is toxic.

Honda utilizes appropriate air/fuel ratios and other emissions control systems to reduce the emissions of carbon monoxide, oxides of nitrogen, and hydrocarbons.

Additionally, Honda fuel systems utilize components and control technologies to reduce evaporative emissions.

### The U.S., California Clean Air Act, and Environment Canada

EPA, California, and Canadian regulations require all manufacturers to furnish written instructions describing the operation and maintenance of emission control systems.

The following instructions and procedures must be followed in order to keep the emissions from your Honda engine within the emission standards.

### Tampering and Altering

Tampering with or altering the emission control system may increase emissions beyond the legal limit. Among those acts that constitute tampering are:

- Removal or alteration of any part of the intake, fuel, or exhaust systems.
- Altering or defeating the governor linkage or speed-adjusting mechanism to cause the engine to operate outside its design parameters.

### Problems That May Affect Emissions

If you are aware of any of the following symptoms, have your engine inspected and repaired by your servicing dealer.

- Hard starting or stalling after starting.
- Rough idle.
- Misfiring or backfiring under load.
- Afterburning (backfiring).
- Black exhaust smoke or high fuel consumption.

## Replacement Parts

The emission control systems on your Honda engine were designed, built, and certified to conform with EPA, California (models certified for sale in California), and Canadian emission regulations. We recommend the use of Honda Genuine parts whenever you have maintenance done. These original-design replacement parts are manufactured to the same standards as the original parts, so you can be confident of their performance. The use of replacement parts that are not of the original design and quality may impair the effectiveness of your emission control system.

A manufacturer of an aftermarket part assumes the responsibility that the part will not adversely affect emission performance. The manufacturer or rebuilder of the part must certify that use of the part will not result in a failure of the engine to comply with emission regulations.

## Maintenance

Follow the maintenance schedule on page 6. Remember that this schedule is based on the assumption that your machine will be used for its designed purpose. Sustained high-load or high-temperature operation, or use in unusually wet or dusty conditions, will require more frequent service.

## Air Index

(Models certified for sale in California)

An Air Index Information label is applied to engines certified to an emission durability time period in accordance with the requirements of the California Air Resources Board.

The bar graph is intended to provide you, our customer, the ability to compare the emissions performance of available engines. The lower the Air Index, the less pollution.

The durability description is intended to provide you with information relating to the engine's emission durability period. The descriptive term indicates the useful life period for the engine's emission control system. See your *Emission Control System Warranty* for additional information.

| Descriptive Term | Applicable to Emissions Durability Period  |
|------------------|--|
| Moderate         | 50 hours (0–80 cc, inclusive)<br>125 hours (greater than 80 cc)                                      |
| Intermediate     | 125 hours (0–80 cc, inclusive)<br>250 hours (greater than 80 cc)                                     |
| Extended         | 300 hours (0–80 cc, inclusive)<br>500 hours (greater than 80 cc)<br>1,000 hours (225 cc and greater) |

## Specifications

### GCV520/GXV520 (QEA-1 type)

|   |   |
|---|---|
| Length × Width × Height   | 458 × 427 × 331 mm<br>(18.0 × 16.8 × 13.0 in)   |
| Dry mass [weight]   | 30.5 kg (67.2 lbs)  |
| Engine type   | 4-stroke, overhead camshaft, 2 cylinders (90° V-Twin)   |
| Displacement [Bore × Stroke]  | 530 cm <sup>3</sup> (32.3 cu-in)<br>[77.0 × 57.0 mm (3.03 × 2.24 in)]   |
| Net power<br><small>(in accordance with SAE J1349*)</small>                 | 9.8 kW (13.3 PS, 13.1 bhp) at 3,600 rpm   |
| Max. Net torque (GCV520U)<br><small>(in accordance with SAE J1349*)</small> | 33.2 N·m (3.39 kgf·m, 24.5 lbf·ft)<br>at 2,500 rpm  |
| Max. Net torque (GXV520U)<br><small>(in accordance with SAE J1349*)</small> | 32.9 N·m (3.35 kgf·m, 24.3 lbf·ft)<br>at 2,500 rpm  |
| Engine oil capacity   | Without oil filter replacement:<br>0.90 L (0.95 US qt, 0.79 Imp qt)<br>With oil filter replacement:<br>1.00 L (1.06 US qt, 0.88 Imp qt) |
| Cooling system  | Forced air  |
| Ignition system   | Transistor magneto  |
| PTO shaft rotation  | Counterclockwise  |

\*The power rating of the engine indicated in this document is the net power output tested on a production engine for the engine model and measured in accordance with SAE J1349 at 3,600 rpm (Net Power) and at 2,500 rpm (Max. Net Torque). Mass production engines may vary from this value. Actual power output for the engine installed in the final machine will vary depending on numerous factors, including the operating speed of the engine in application, environmental conditions, maintenance, and other variables.



### GCV530/GXV530 (QEA-1 type)

|  |   |
|--|---|
| Length × Width × Height  | 458 × 427 × 331 mm<br>(18.0 × 16.8 × 13.0 in)   |
| Dry mass [weight]  | 30.5 kg (67.2 lbs)  |
| Engine type  | 4-stroke, overhead camshaft, 2 cylinders (90° V-Twin)   |
| Displacement<br>[Bore × Stroke]                                | 530 cm <sup>3</sup> (32.3 cu-in)<br>[77.0 × 57.0 mm (3.03 × 2.24 in)]   |
| Net power<br>(in accordance with SAE J1349*)                   | 11.3 kW (15.4 PS, 15.2 bhp) at 3,600 rpm  |
| Max. Net torque<br>(GCV530)<br>(in accordance with SAE J1349*) | 34.3 N·m (3.50 kgf·m, 25.3 lbf·ft)<br>at 2,500 rpm  |
| Max. Net torque<br>(GXV530)<br>(in accordance with SAE J1349*) | 34.2 N·m (3.49 kgf·m, 25.2 lbf·ft)<br>at 2,500 rpm  |
| Engine oil capacity  | Without oil filter replacement:<br>0.90 L (0.95 US qt, 0.79 Imp qt)<br>With oil filter replacement:<br>1.00 L (1.06 US qt, 0.88 Imp qt) |
| Cooling system   | Forced air  |
| Ignition system  | Transistor magneto  |
| PTO shaft rotation   | Counterclockwise  |

\* The power rating of the engine indicated in this document is the net power output tested on a production engine for the engine model and measured in accordance with SAE J1349 at 3,600 rpm (Net Power) and at 2,500 rpm (Max. Net Torque). Mass production engines may vary from this value. Actual power output for the engine installed in the final machine will vary depending on numerous factors, including the operating speed of the engine in application, environmental conditions, maintenance, and other variables.

### Tuneup Specifications GCV520/530, GXV520/530

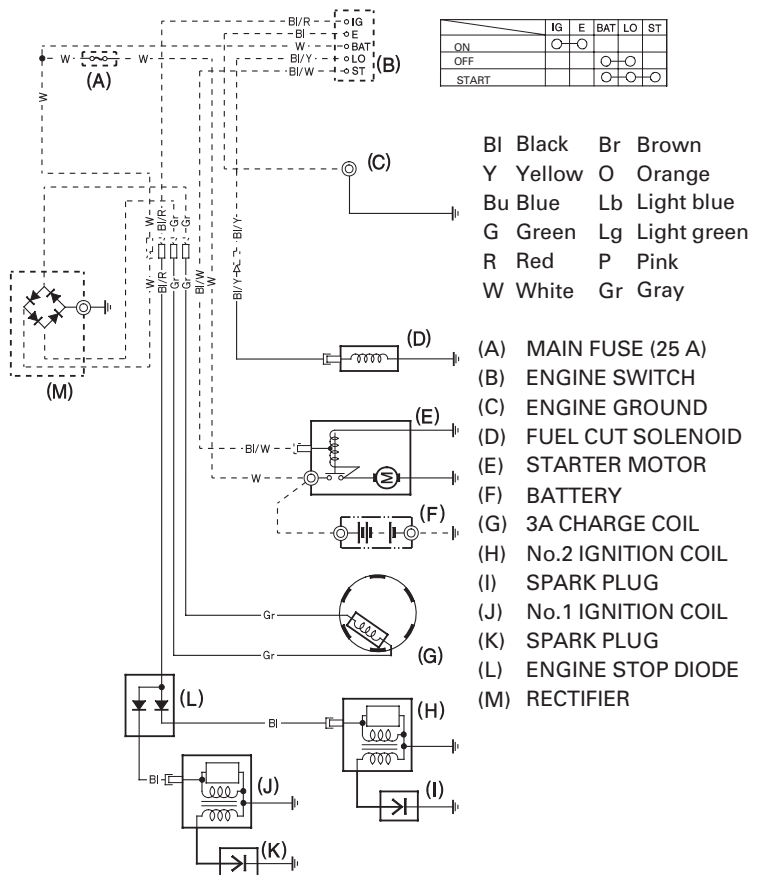
| ITEM                   | SPECIFICATION                               | MAINTENANCE                      |
|------------------------|---|----------------------------------|
| Spark plug gap         | 0.7 – 0.8 mm<br>(0.028 – 0.031 in)          | Refer to page 10.                |
| Idle speed             | 1,400 <sup>+200</sup> / <sub>-150</sub> rpm | See your authorized Honda dealer |
| Valve clearance (cold) | IN: 0.10 ± 0.04 mm<br>EX: 0.15 ± 0.04 mm    |                                  |
| Other specifications   | No other adjustments needed.                |                                  |

### Quick Reference Information

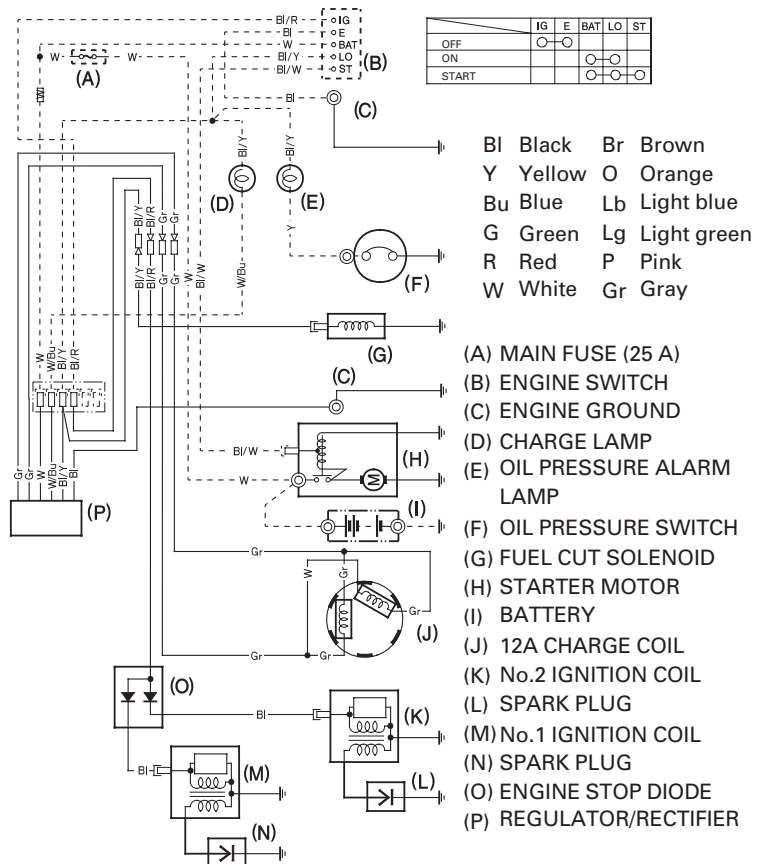
|   |  |  |
|---|--|--|
| Fuel  | Unleaded gasoline (Refer to page 7)  |  |
|   | U.S.   | Pump octane rating 86 or higher  |
|   | Except U.S.  | Research octane rating 91 or higher<br>Pump octane rating 86 or higher |
| Engine oil  | SAE 10W-30, API SJ or later, for general use.<br>Refer to page 7.  |  |
| Spark plug  | BPR5ES (NGK)<br>W16EPR-U (DENSO)   |  |
| Maintenance   | Before each use:   |  |
|   | <ul style="list-style-type: none"> <li>• Check engine oil level. Refer to page 7.</li> <li>• Check air filter. Refer to page 9.</li> </ul> |  |
|   | First 20 hours:  |  |
| <ul style="list-style-type: none"> <li>• Change engine oil. Refer to page 8.</li> </ul> |  | Refer to the maintenance schedule on page 6.                           |
| Subsequent:   |  |  |

### Wiring Diagrams

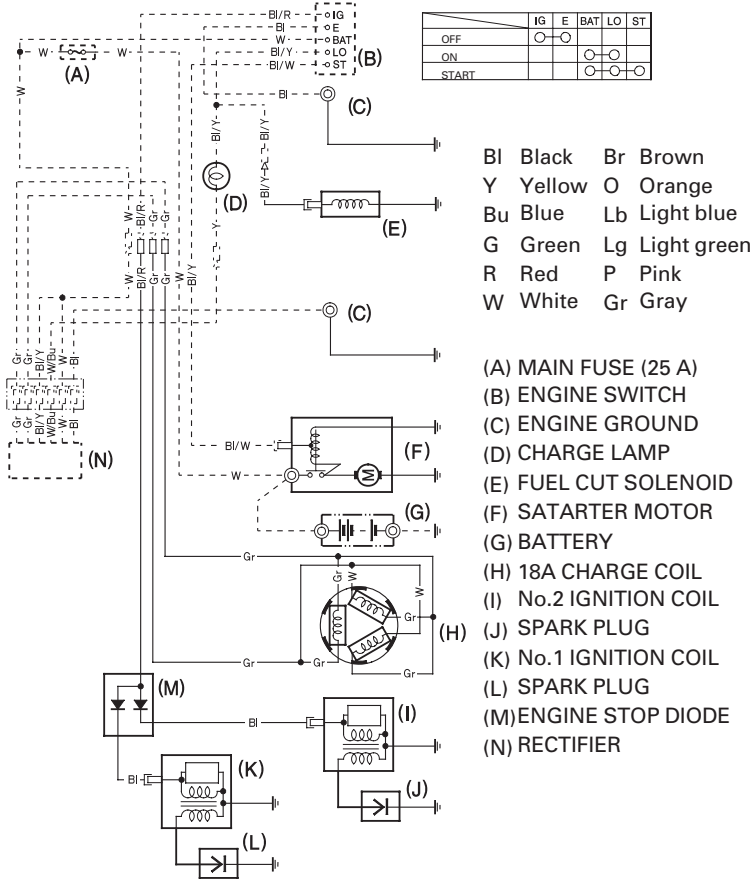
#### With 3A Charge coil



#### With 12A Charge coil



With 18A Charge coil



## CONSUMER INFORMATION

### Warranty and Distributor/Dealer Locator Information

#### United States, Puerto Rico, and U.S. Virgin Islands:

Visit our website: [www.honda-engines.com](http://www.honda-engines.com)

#### Canada:

Call (888) 9HONDA9

or visit our website: [www.honda.ca](http://www.honda.ca)

#### For European Area:

Visit our website: <http://www.honda-engines-eu.com>

#### Australia:

Call (03) 9270 1348

or visit our website: [www.hondampe.com.au](http://www.hondampe.com.au)

### Customer Service Information

Servicing dealership personnel are trained professionals. They should be able to answer any question you may have. If you encounter a problem that your dealer does not solve to your satisfaction, please discuss it with the dealership's management. The Service Manager, General Manager, or Owner can help. Almost all problems are solved in this way.

#### United States, Puerto Rico, and U.S. Virgin Islands:

If you are dissatisfied with the decision made by the dealership's management, contact the Honda Regional Engine Distributor for your area.

If you are still dissatisfied after speaking with the Regional Engine Distributor, you may contact the Honda Office as shown.

#### All Other Areas:

If you are dissatisfied with the decision made by the dealership's management, contact the Honda Office as shown.

#### 《Honda's Office》

When you write or call, please provide this information:

- Equipment manufacturer's name and model number that the engine is mounted on
- Engine model, serial number, and type (see page 13)
- Name of dealer who sold the engine to you
- Name, address, and contact person of the dealer who services your engine
- Date of purchase
- Your name, address and telephone number
- A detailed description of the problem

#### United States, Puerto Rico, and U.S. Virgin Islands:

##### American Honda Motor Co., Inc.

Power Equipment Division  
Customer Relations Office  
4900 Marconi Drive  
Alpharetta, GA 30005-8847

Or telephone: (770) 497-6400, 8:30 am - 7:00 pm ET

#### Canada:

##### Honda Canada, Inc.

Please visit [www.honda.ca](http://www.honda.ca)  
for address information

Telephone: (888) 9HONDA9 Toll free  
(888) 946-6329

Facsimile: (877) 939-0909 Toll free

#### Australia:

##### Honda Australia Motorcycle and Power Equipment Pty. Ltd.

1954 – 1956 Hume Highway  
Campbellfield Victoria 3061

Telephone: (03) 9270 1111

Facsimile: (03) 9270 1133

#### For European Area:

##### Honda Europe NV.

European Engine Center

<http://www.honda-engines-eu.com>

#### All Other Areas:

Please contact the Honda distributor in your area for assistance.

**HONDA**  
The Power of Dreams

**HONDA**  
The Power of Dreams

## INTRODUCTION

Nous vous remercions d'avoir porté votre choix sur un moteur Honda. Nous désirons vous aider à faire le meilleur usage de votre nouveau moteur et à l'utiliser en sécurité. Vous trouverez dans ce manuel des informations sur la manière d'y parvenir; veuillez le lire attentivement avant d'utiliser le moteur. En cas de problème ou pour toute question sur le moteur, consultez un concessionnaire Honda agréé.

Toutes les informations de cette publication sont basées sur les dernières informations sur le produit disponibles au moment de l'impression. Honda Motor Co., Ltd. se réserve le droit d'apporter des modifications à tout moment sans avertissement et sans obligation de sa part. Aucune partie de ce document ne peut être reproduite sans autorisation écrite.

Ce manuel doit être considéré comme faisant partie du moteur et l'accompagner en cas de revente.


Pour de plus amples informations sur le démarrage, l'arrêt, l'utilisation et les réglages du moteur ou pour des instructions sur tout entretien spécial, consultez les instructions accompagnant l'équipement commandé par ce moteur.

Etats-Unis, Puerto Rico et Iles vierges américaines:

Nous vous conseillons de lire le bulletin de garantie afin de bien comprendre l'étendue de la garantie et vos responsabilités de propriété. Le bulletin de garantie est un document séparé que vous avez dû en principe recevoir de votre concessionnaire.

## MESSAGES DE SECURITE

Votre sécurité et celle des autres sont très importantes. Vous trouverez des messages de sécurité importants dans ce manuel et sur le moteur. Veuillez les lire attentivement.

Les messages de sécurité vous avertissent de risques potentiels de blessures pour vous et les autres. Chaque message de sécurité est précédé d'un symbole de mise en garde  et de l'une des trois mentions DANGER, ATTENTION ou PRECAUTION.

Ces mots-indicateurs signifient:

### DANGER

Vous SEREZ MORTELLEMENT ou GRIEVEMENT BLESSE si vous ne suivez pas ces instructions.

### ATTENTION

Vous POUVEZ être MORTELLEMENT ou GRIEVEMENT BLESSE si vous ne suivez pas ces instructions.

### PRECAUTION

Vous POUVEZ être BLESSE si vous ne suivez pas ces instructions.

Chaque message vous indique quel est le danger, ce qui peut arriver et ce que vous pouvez faire pour éviter ou réduire les blessures.

## MESSAGES DE PREVENTION DES DOMMAGES

D'autres messages importants sont précédés du mot AVIS.

Cette mention signifie:

### AVIS

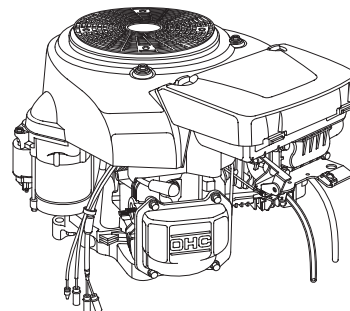
Votre moteur ou d'autres biens peuvent être endommagés si vous ne suivez pas ces instructions.

L'objet de ces messages est de vous aider à ne pas causer de dommages au moteur, à d'autres biens ou à l'environnement.

# HONDA

## MANUEL DE L'UTILISATEUR

### GCV520 · GCV530 · GXV520 · GXV530



### ATTENTION:



L'échappement du moteur contient des substances chimiques déclarées responsables de cancers, de malformations congénitales ou d'autres anomalies de la reproduction par l'Etat de Californie.

## SOMMAIRE

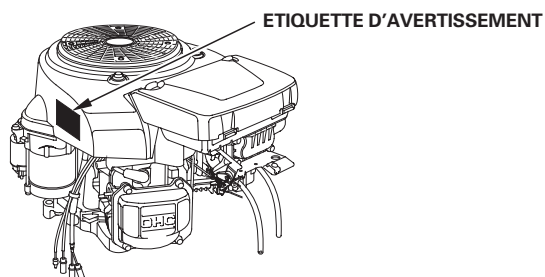
|                                   |    |  |    |
|-----------------------------------|----|--|----|
| INTRODUCTION .....                | 1  | SYSTEME DE                             |    |
| MESSAGES DE SECURITE .....        | 1  | REFROIDISSEMENT .....                  | 10 |
| INFORMATIONS DE SECURITE .....    | 2  | BOUGIE .....                           | 10 |
| EMPLACEMENT DE L'ETIQUETTE        |    | PARE-ETINCELLES .....                  | 11 |
| DE SECURITE.....                  | 2  | CONSEILS ET SUGGESTIONS UTILES.....    | 11 |
| EMPLACEMENT DES                   |    | REMISAGE DU MOTEUR .....               | 11 |
| COMPOSANTS ET COMMANDES ..        | 2  | TRANSPORT .....                        | 12 |
| PARTICULARITES.....               | 3  | EN CAS DE PROBLEME                     |    |
| CONTROLES AVANT                   |    | INATTENDU.....                         | 13 |
| L'UTILISATION .....               | 3  | INFORMATIONS TECHNIQUES ET DU          |    |
| UTILISATION .....                 | 4  | CONSOMMATEUR.....                      | 13 |
| CONSIGNES DE SECURITE             |    | Emplacement des numéros de             |    |
| D'UTILISATION.....                | 4  | série .....                            | 13 |
| DEMARRAGE DU MOTEUR .....         | 4  | Raccordements de la batterie pour      |    |
| ARRÊT DU MOTEUR .....             | 5  | le démarreur électrique.....           | 14 |
| REGLAGE DU REGIME                 |    | Tringlerie de commande à               |    |
| MOTEUR .....                      | 5  | distance .....                         | 14 |
| ENTRETIEN DU MOTEUR.....          | 6  | Modifications du carburateur pour      |    |
| L'IMPORTANCE DE                   |    | une utilisation à haute altitude.....  | 15 |
| L'ENTRETIEN .....                 | 6  | Informations sur le système            |    |
| SECURITE D'ENTRETIEN .....        | 6  | antipollution.....                     | 15 |
| CONSIGNES DE SECURITE .....       | 6  | Indice atmosphérique .....             | 16 |
| PROGRAMME D'ENTRETIEN.....        | 6  | Caractéristiques.....                  | 16 |
| PLEIN DE CARBURANT.....           | 7  | Caractéristiques de mise au point .... | 17 |
| HUILE MOTEUR .....                | 7  | Informations de référence rapide ....  | 17 |
| Huile recommandée .....           | 7  | Schémas de câblage .....               | 17 |
| Vérification du niveau d'huile .. | 7  | INFORMATION DU                         |    |
| Renouvellement d'huile .....      | 8  | CONSOMMATEUR.....                      | 19 |
| FILTRE A HUILE .....              | 8  | Informations sur la garantie et le     |    |
| FILTRE A AIR .....                | 9  | localisateur de distributeurs/         |    |
| Contrôle .....                    | 9  | concessionnaires.....                  | 19 |
| Nettoyage .....                   | 9  | Informations d'entretien pour          |    |
| FILTRE A CARBURANT .....          | 10 | le client .....                        | 19 |

## INFORMATIONS DE SECURITE

- Comprenez bien le fonctionnement de toutes les commandes et apprenez comment arrêter le moteur rapidement en cas d'urgence. Veillez à ce que l'opérateur reçoive des instructions adéquates avant l'utilisation de l'équipement.
- Ne pas autoriser des enfants à utiliser le moteur. Eloigner les enfants et les animaux de la zone d'utilisation.
- Les gaz d'échappement du moteur contiennent du monoxyde de carbone toxique. Ne pas faire tourner le moteur sans une aération adéquate et ne jamais l'utiliser à l'intérieur.
- Le moteur et les gaz d'échappement deviennent très chauds pendant le fonctionnement. Garder le moteur à au moins 1 mètre des bâtiments et des autres équipements pendant l'utilisation. Ne pas approcher de matières inflammables et ne rien placer sur le moteur pendant son fonctionnement.

## EMPLACEMENT DE L'ETIQUETTE DE SECURITE

Cette étiquette met en garde contre les risques potentiels de blessures graves. La lire attentivement. Si l'étiquette se décolle ou devient illisible, s'adresser au concessionnaire d'entretien Honda pour son remplacement.



| ETIQUETTE D'AVERTISSEMENT   | Pour UE                 | Sauf UE                 |
|---|-------------------------|-------------------------|
| <p>Honda Motor Co., Ltd.<br/>MADE IN JAPAN</p>  | apposée sur le produit  | fournie avec le produit |
| <p><b>⚠ WARNING</b><br/>Gasoline is highly flammable and explosive. Turn engine off and let cool before refueling. The engine emits toxic carbon monoxide. Do not run in an enclosed area. Read Owner's Manual before operation.<br/>Honda Motor Co., Ltd. MADE IN JAPAN</p>  | fournie avec le produit | apposée sur le produit  |
| <p><b>⚠ ATTENTION</b><br/>L'essence est très inflammable et explosive. Arrêter le moteur et le laisser refroidir avant de faire le plein d'essence. Le moteur produit les vapeurs nocives de monoxyde de carbone. Ne pas utiliser dans un local clos. Lire le manuel de propriétaire avant l'utilisation.<br/>Honda Motor Co., Ltd. MADE IN JAPAN</p> | fournie avec le produit | fournie avec le produit |

Avec silencieux en usine Honda.

| ETIQUETTE DE MISE EN GARDE DE SILENCIEUX   | Pour UE                 | Sauf UE |
|--|-------------------------|---------|
| <p><b>⚠ CAUTION</b><br/>HOT MUFFLER CAN BURN YOU. Stay away if engine has been running.</p>                | fournie avec le produit |         |
| <p><b>⚠ ATTENTION</b><br/>L'ÉCHAPPEMENT CHAUD PEUT VOUS BRÛLER. S'ÉLOIGNER QUAND LE MOTEUR FONCTIONNE.</p> | fournie avec le produit |         |

## EMPLACEMENT DES COMPOSANTS ET COMMANDES



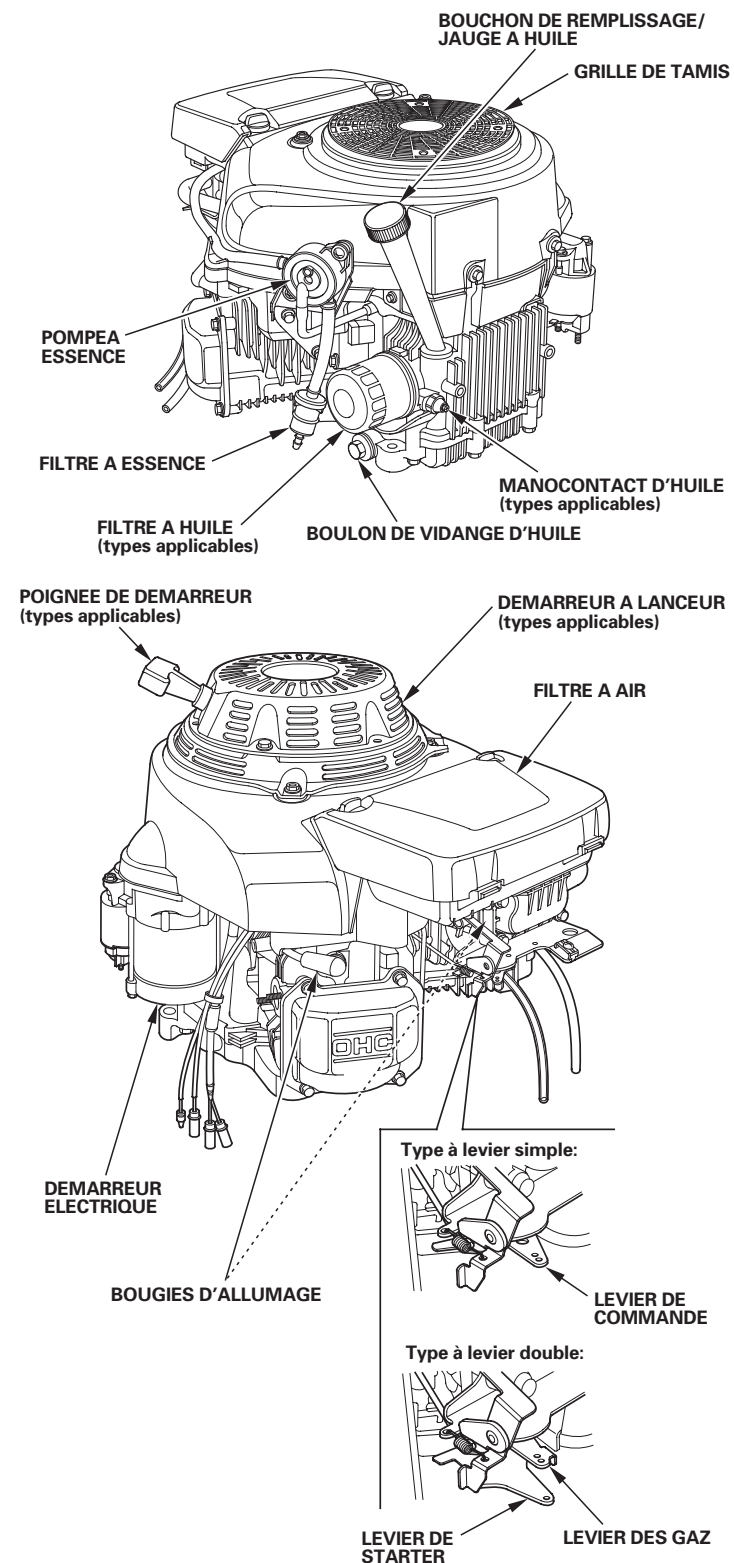
L'essence est très inflammable et explosive. Avant de faire le plein de carburant, arrêter le moteur et le laisser se refroidir.



Le moteur dégage du monoxyde de carbone qui est un gaz toxique. Ne jamais le faire fonctionner dans un endroit clos.



Lire le manuel de l'utilisateur avant l'utilisation.



## PARTICULARITES

### Solénoïde de coupure de carburant

Le moteur est doté d'un solénoïde de coupure de carburant qui autorise le passage de carburant vers le gicleur principal du carburateur lorsque l'interrupteur du moteur est sur la position MARCHE ou DEMARRAGE et coupe le passage du carburant vers le gicleur principal lorsque l'interrupteur du moteur est sur la position ARRÊT.

Le moteur doit être connecté à la batterie pour que le solénoïde de coupure de carburant soit alimenté et permette au moteur de tourner. Si la batterie est déconnectée, l'arrivée de carburant au carburateur est coupée.

### Manocontact d'huile (types applicables):

Le moteur est doté d'un manocontact d'huile qui le protège contre les dommages dus à un graissage insuffisant ou à une surchauffe.

Si le témoin d'alarme de pression d'huile s'allume, vérifier le niveau d'huile moteur et faire l'appoint d'huile moteur correcte si nécessaire (voir page 7).

Pour remettre le moteur en marche, placer l'interrupteur du moteur sur OFF. Démarrer ensuite en suivant la procédure de mise en marche.

Si le témoin d'alarme de pression d'huile continue à s'allumer bien que le niveau d'huile moteur soit correct, arrêter d'utiliser le moteur et consulter un concessionnaire Honda agréé.

## CONTROLES AVANT L'UTILISATION

### LE MOTEUR EST-IL PRET A FONCTIONNER?

Pour la sécurité, le respect de la réglementation sur l'environnement et la longévité de l'équipement, il est important de consacrer quelques instants à vérifier l'état du moteur avant l'utilisation. Corriger tout problème constaté ou confier cette opération au concessionnaire avant l'utilisation.

### ATTENTION

Un entretien incorrect de ce moteur ou l'absence de correction d'un problème avant l'utilisation peut provoquer une anomalie susceptible d'entraîner des blessures graves ou mortelles.

Toujours effectuer les contrôles avant utilisation avant chaque utilisation et corriger tout problème.

Avant de commencer les contrôles avant l'utilisation, s'assurer que le moteur est à l'horizontale et que l'interrupteur du moteur se trouve sur la position ARRÊT (OFF).

Toujours vérifier les points suivants avant de mettre le moteur en marche:

#### Vérifier l'état général du moteur

1. Vérifier s'il n'y a pas de traces de fuites d'huile ou d'essence autour ou sous le moteur.
2. Enlever toute saleté ou débris excessifs, tout particulièrement autour du silencieux et du lanceur.
3. Enlever tout objet ou débris susceptible d'obstruer l'admission d'air de refroidissement au couvercle du lanceur/ventilateur. L'utilisation du moteur avec une admission d'air obstruée peut l'endommager.
4. Vérifier s'il n'y a pas de signes de dommages.
5. S'assurer que tous les protecteurs et couvercles sont en place et que tous les écrous, boulons et vis sont serrés.

#### Vérifier le moteur

1. Vérifier le niveau de carburant. En démarrant avec un réservoir de carburant plein, on évitera ou réduira les interruptions de service pour faire le plein.
2. Vérifier le niveau d'huile du moteur (voir page 7). L'utilisation du moteur avec un niveau d'huile insuffisant peut provoquer des dommages au moteur.
3. Vérifier l'élément de filtre à air (voir page 9). Un élément de filtre à air sale limite le passage d'air vers le carburateur, ce qui diminue les performances du moteur.

#### Vérifier l'équipement commandé par ce moteur

Pour les précautions et procédures à observer avant le démarrage du moteur, consulter les instructions accompagnant l'équipement commandé par ce moteur.

# UTILISATION

## CONSIGNES DE SECURITE D'UTILISATION

Avant d'utiliser le moteur pour la première fois, lire la section *INFORMATIONS DE SECURITE* à la page 2 et la section *CONTROLES AVANT L'UTILISATION* à la page 3.

Par sécurité, ne pas faire fonctionner le moteur dans un endroit clos tel qu'un garage. Les gaz d'échappement du moteur contiennent du monoxyde de carbone, un gaz toxique qui peut s'accumuler rapidement dans un endroit clos et provoquer une intoxication ou la mort.

### ⚠ ATTENTION

Les gaz d'échappement contiennent du monoxyde de carbone, un gaz toxique qui peut s'accumuler à des niveaux dangereux dans des endroits clos. L'inhalation de monoxyde de carbone peut provoquer des évanouissements ou la mort.

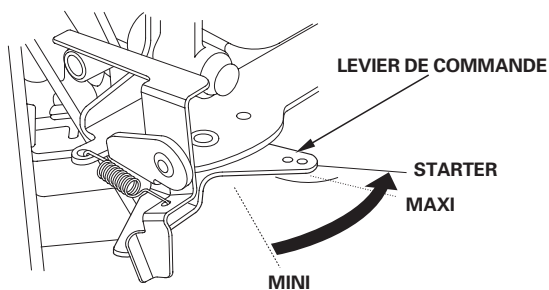
Ne jamais faire tourner le moteur dans un endroit clos, même partiellement, où il peut y avoir des personnes.

Pour les consignes de sécurité à observer au démarrage, lors de l'arrêt du moteur et pendant l'utilisation, consulter les instructions accompagnant l'équipement commandé par ce moteur.

## DEMARRAGE DU MOTEUR

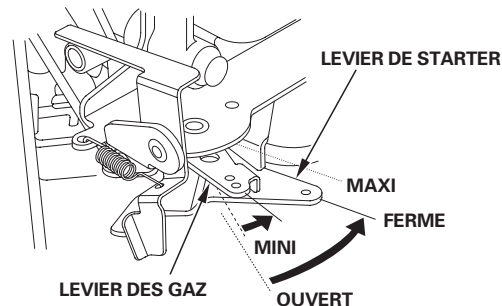
1. Si le réservoir de carburant est doté d'un robinet de carburant, placer celui-ci sur la position OPEN ou ACTIVE avant de tenter de mettre le moteur en marche.
2. TYPE A LEVIER SIMPLE:  
Pour mettre en marche un moteur froid, placer le levier de commande sur la position STARTER.

Pour remettre en marche un moteur chaud, laisser le levier de commande sur la position MIN.



## TYPE A LEVIER DOUBLE:

Pour mettre en marche un moteur froid, placer le levier de starter sur la position FERME et déplacer le levier des gaz depuis la position MIN. jusqu'à environ 1/3 du chemin vers la position MAX.



Certaines applications du moteur utilisent une commande à distance plutôt que le levier sur le moteur représenté ici. Consulter les instructions fournies par le fabricant de l'équipement.

3. Placer l'interrupteur du moteur sur la position MARCHE (ON).

4. Actionner le démarreur.

## DEMARREUR ELECTRIQUE:

Placer la clé sur la position DEMARRAGE et la maintenir sur cette position jusqu'à ce que le moteur démarre.

Si le moteur ne part pas dans les 5 secondes, relâcher la clé et attendre au moins 10 secondes avant d'actionner à nouveau le démarreur.

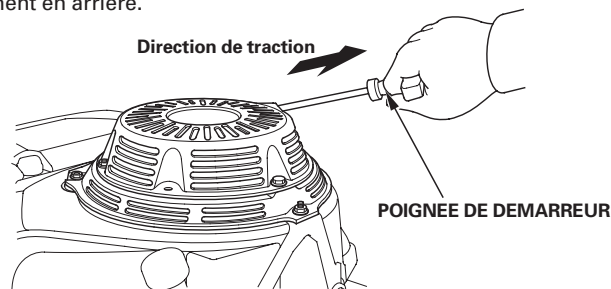
### AVIS

*Ne pas solliciter le démarreur pendant plus de 5 secondes d'affilée car ceci le ferait surchauffer et pourrait l'endommager.*

Lorsque le moteur démarre, relâcher la clé et la laisser revenir sur la position MARCHE.

## LANCEUR (types applicables):

Tirer doucement la poignée de lancement jusqu'à ce que l'on sente une résistance, puis la tirer d'un coup sec dans le sens de la flèche comme sur la figure ci-dessous. Ramener doucement la poignée de lancement en arrière.



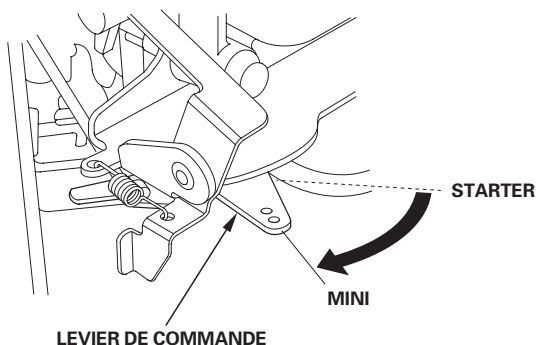
### AVIS

*Ne pas laisser la poignée de lancement revenir d'elle-même contre le moteur. Accompagner doucement son mouvement de retour pour ne pas risquer d'endommager le lanceur.*



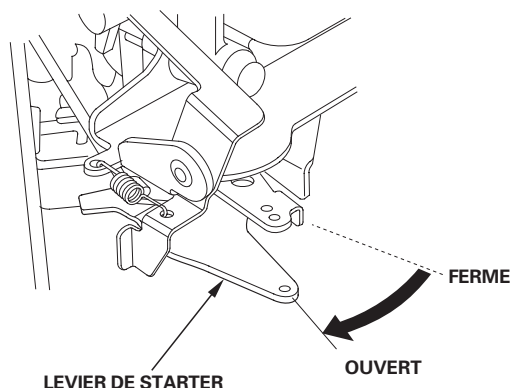
#### 5. TYPE A LEVIER SIMPLE:

Si l'on a placé le levier de commande sur la position STARTER pour mettre le moteur en marche, le ramener progressivement sur la position MIN. à mesure que le moteur chauffe.



#### TYPE A LEVIER DOUBLE:

Si l'on a placé le levier de starter sur la position FERME pour mettre le moteur en marche, le ramener progressivement sur la position OUVERT à mesure que le moteur chauffe.



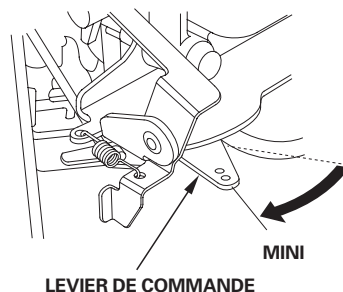
#### ARRET DU MOTEUR

Pour arrêter le moteur en cas d'urgence, placer simplement l'interrupteur du moteur sur la position FERME (ARRET). Dans des conditions normales, procéder comme il est indiqué ci-dessous. Consulter les instructions fournies par le fabricant de l'équipement.

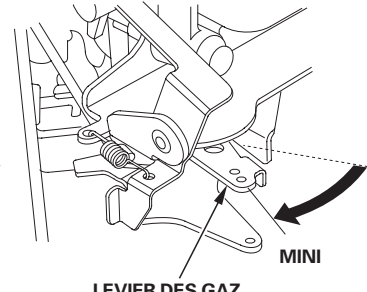
1. Placer le levier de commande (type à levier simple) ou le levier des gaz (type à levier double) sur la position MIN.

Certaines applications du moteur utilisent une commande à distance des gaz plutôt que le levier des gaz du moteur représenté ici.

#### TYPE A LEVIER SIMPLE



#### TYPE A LEVIER DOUBLE



2. Placer l'interrupteur du moteur sur la position ARRET (OFF).
3. Si le réservoir de carburant est doté d'un robinet de carburant, placer celui-ci sur la position FERME ou DESACTIVE.

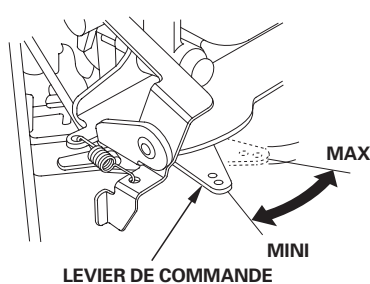
#### REGLAGE DU REGIME MOTEUR

Placer le levier de commande (type à levier simple) ou le levier des gaz (type à levier double) sur le régime moteur désiré.

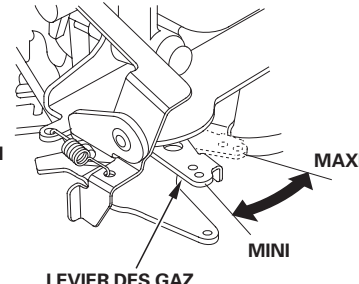
Certaines applications du moteur utilisent une commande à distance plutôt que le levier sur le moteur représenté ici. Consulter les instructions fournies par le fabricant de l'équipement.

Pour les recommandations de régime moteur, consulter les instructions accompagnant l'équipement commandé par ce moteur.

#### TYPE A LEVIER SIMPLE



#### TYPE A LEVIER DOUBLE



Ne pas déconnecter la batterie du moteur pendant le fonctionnement du moteur. Si la batterie est déconnectée, le solénoïde de coupure de carburant coupe le passage de carburant vers le gicleur principal du carburateur et le moteur s'arrête.

# ENTRETIEN DU MOTEUR

## L'IMPORTANCE DE L'ENTRETIEN

Un bon entretien est essentiel pour un fonctionnement sûr, économique et sans problème. Il contribue également à réduire la pollution.

### ⚠ ATTENTION

Un entretien incorrect ou l'absence de correction d'un problème avant l'utilisation peut provoquer une anomalie susceptible d'entraîner des blessures graves ou mortelles.

Toujours observer les recommandations et programmes de contrôle et d'entretien figurant dans ce manuel.

Pour permettre d'entretenir correctement le moteur, on trouvera aux pages suivantes un programme d'entretien, des procédures de contrôle de routine et des procédures d'entretien simples pouvant être effectuées avec des outils à main de base. D'autres opérations d'entretien plus difficiles ou demandant des outils spéciaux seront mieux exécutées par des professionnels et devront normalement être confiées à un technicien Honda ou à un autre mécanicien qualifié.

Le programme d'entretien s'applique à des conditions d'utilisation normales. Si l'on utilise le moteur dans des conditions sévères telles qu'un fonctionnement prolongé sous une charge élevée ou par haute température, ou dans des conditions anormalement humides ou poussiéreuses, demander au concessionnaire d'entretien Honda des recommandations pour des besoins et un usage particuliers.

**L'entretien, le remplacement ou la réparation des dispositifs et systèmes antipollution peuvent être exécutés par toute entreprise ou technicien de réparation de moteurs utilisant des pièces "certifiées" aux normes EPA.**

## SECURITE D'ENTRETIEN

Certaines des consignes de sécurité les plus importantes sont indiquées ci-dessous. Il ne nous est toutefois pas possible de vous avertir de tous les dangers imaginables que vous pouvez courir en exécutant l'entretien. Vous êtes seul juge de décider si vous devez ou non effectuer un travail donné.

### ⚠ ATTENTION

En n'observant pas correctement les instructions et précautions d'entretien, on s'expose à de graves blessures ou à un danger de mort.

Toujours observer les procédures et précautions de ce manuel.

## CONSIGNES DE SECURITE

- Avant de commencer un entretien ou une réparation, s'assurer que le moteur est arrêté. Déconnecter le capuchon de bougie pour ne pas risquer un démarrage accidentel. Ceci éliminera plusieurs risques potentiels:
  - **Empoisonnement par le monoxyde de carbone de l'échappement du moteur.**  
Utiliser le moteur à l'extérieur loin de toute fenêtre ou porte ouverte.
  - **Brûlures par des pièces chaudes.**  
Attendre que le moteur et le système d'échappement se soient refroidis avant de les toucher.
  - **Blessures par des pièces mobiles.**  
Ne faire tourner le moteur que si cela est indiqué dans les instructions.
- Lire les instructions avant de commencer et s'assurer que l'on dispose de l'outillage et des compétences nécessaires pour effectuer le travail en sécurité.

- Pour diminuer les risques d'incendie ou d'explosion, être prudent lorsqu'on travaille à proximité de l'essence. Pour le nettoyage des pièces, utiliser uniquement un solvant ininflammable et non de l'essence. Ne pas approcher de cigarettes, étincelles ou flammes des pièces du système d'alimentation en carburant.

Ne pas oublier que c'est le concessionnaire Honda agréé qui connaît le mieux le moteur et qu'il est parfaitement outillé pour son entretien et sa réparation.

Pour la meilleure qualité et fiabilité, n'utiliser que des pièces Honda Genuine neuves ou leur équivalent pour la réparation et le remplacement.

## PROGRAMME D'ENTRETIEN

| FREQUENCE D'ENTRETIEN PERIODIQUE (3)<br>A effectuer après le nombre de mois ou d'heures d'utilisation indiqué en retenant l'intervalle le plus court des deux. | Chaque utilisation | Premier mois ou 20 h                         | Tous les 3 mois ou 50 h | Tous les 6 mois ou 100 h | Tous les ans ou 200 h | Voir page        |
|--|--------------------|--|-------------------------|--------------------------|-----------------------|------------------|
| DESCRIPTION  |                    |  |                         |                          |                       |                  |
| Huile moteur   | Vérifier le niveau | ○  |                         |                          |                       | 7                |
|  | Renouveler         |  | ○                       | ○                        |                       | 8                |
| Filtre à huile (types applicables)   | Remplacer          |  |                         | ○                        |                       | 8                |
| Filtre à air   | Vérifier           | ○  |                         |                          |                       | 9                |
|  | Nettoyer           |  | ○ (1)                   |                          |                       | 9                |
|  | Remplacer          |  |                         |                          | ○ *                   |                  |
| Bougies  | Vérifier-régler    |  |                         | ○                        |                       | 10               |
|  | Remplacer          |  |                         |                          | ○                     |                  |
| Pare-étincelles (types applicables)  | Nettoyer           |  |                         | ○ (5)                    |                       | 11               |
| Système de refroidissement   | Nettoyer           |  |                         |                          | ○                     | 10               |
| Régime de ralenti  | Vérifier-régler    |  |                         |                          | ○ (2)                 | Manuel d'atelier |
| Jeu aux soupapes   | Vérifier-régler    |  |                         |                          | ○ (2)                 | Manuel d'atelier |
| Courroie de distribution   | Vérifier           | Après toutes les 300 heures (2) (4)          |                         |                          |                       | Manuel d'atelier |
| Chambre de combustion  | Nettoyer           | Après toutes les 300 heures (2)              |                         |                          |                       | Manuel d'atelier |
| Filtre à carburant   | Vérifier-remplacer |  |                         |                          | ○ (2)                 | Manuel d'atelier |
| Tuyau de carburant   | Vérifier           | Tous les 2 ans (Remplacer si nécessaire) (2) |                         |                          |                       | Manuel d'atelier |

\* Ne remplacer que le type à élément en papier.

- (1) En cas d'utilisation dans des endroits poussiéreux, augmenter la fréquence d'entretien.
- (2) Confier l'entretien de ces points au concessionnaire à moins que l'on ne dispose des outils appropriés et ne soit mécaniquement compétent. Pour les procédures d'entretien, consulter le manuel d'atelier Honda.
- (3) Pour une utilisation commerciale, consigner le nombre d'heures de service afin de déterminer la périodicité d'entretien appropriée.
- (4) S'assurer que la courroie n'est pas fendillée ou ne présente pas une usure anormale et la remplacer si c'est le cas.
- (5) En Europe et dans les autres pays où la directive 2006/42/CE relative aux machines est en vigueur, ce nettoyage doit être effectué par le concessionnaire.

L'inobservation de ce programme d'entretien peut entraîner des problèmes non couverts par la garantie.

## PLEIN DE CARBURANT

### Carburant recommandé

| Essence sans plomb |   |
|--------------------|---|
| Etats-Unis         | Indice d'octane pompe d'au moins 86     |
| Sauf Etats-Unis    | Indice d'octane recherche d'au moins 91 |
|                    | Indice d'octane pompe d'au moins 86     |

Ce moteur est certifié pour fonctionner sur de l'essence sans plomb ayant un indice d'octane pompe d'au moins 86 (ou un indice d'octane recherche d'au moins 91).

Refaire le plein dans un endroit bien aéré avec le moteur arrêté. Si le moteur vient de tourner, le laisser d'abord se refroidir. Ne jamais faire le plein à l'intérieur d'un bâtiment où des vapeurs d'essence pourraient atteindre des flammes ou des étincelles.

On peut utiliser une essence sans plomb ne contenant pas plus de 10% d'éthanol (E10) ou de 5% de méthanol en volume. Le méthanol doit contenir des cosolvants et des inhibiteurs de corrosion. L'utilisation de carburants ayant une teneur en éthanol ou méthanol supérieure à celle indiquée ci-dessus peut occasionner des problèmes de démarrage et/ou performances. Elle peut également endommager les pièces métalliques, en caoutchouc et en plastique du système d'alimentation en carburant. Les dommages au moteur ou problèmes de performance résultant de l'utilisation d'un carburant avec des pourcentages d'éthanol ou méthanol supérieurs à ceux qui sont indiqués ci-dessus ne sont pas couverts par la garantie.

Si l'on ne compte utiliser l'équipement qu'occasionnellement ou par intermittence, consulter la section sur le carburant dans le chapitre REMISAGE DU MOTEUR (voir page 11) qui fournit des informations complémentaires sur la dégradation du carburant.

Ne jamais utiliser de l'essence viciée ou contaminée ou un mélange d'huile/essence. Empêcher la pénétration de saleté ou eau dans le réservoir de carburant.

### ⚠ ATTENTION

L'essence est très inflammable et explosive et l'on peut se brûler ou se blesser grièvement en faisant le plein.

- Arrêter le moteur et ne pas autoriser de sources de chaleur, étincelles ou flammes à proximité.
- Ne faire le plein qu'à l'extérieur.
- Essuyer immédiatement tout carburant renversé.

### AVIS

Le carburant peut endommager la peinture et certains types de plastiques. Veiller à ne pas renverser de carburant lorsqu'on remplit le réservoir. Les dommages causés par du carburant renversé ne sont pas couverts par la Garantie limitée du distributeur.

Faire le plein avec précaution pour éviter de renverser du carburant. Après avoir fait le plein, resserrer le bouchon du réservoir de carburant à fond.

Garder l'essence loin des veilleuses des appareils, barbecues, appareils électriques, outils électriques, etc.

Le carburant renversé ne fait pas seulement courir des risques d'incendie; il est également nuisible pour l'environnement. Essuyer immédiatement tout carburant renversé.

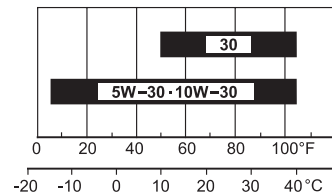
## HUILE MOTEUR

L'huile est un facteur déterminant pour la performance et la durée de service.

Utiliser une huile automobile 4 temps détergente.

### Huile recommandée

Utiliser une huile moteur 4 temps répondant ou dépassant les prescriptions pour la catégorie de service API SJ ou ultérieure (ou équivalente). Toujours vérifier l'étiquette de service API sur le bidon d'huile pour s'assurer qu'elle porte bien la mention SJ ou ultérieure (ou équivalente).



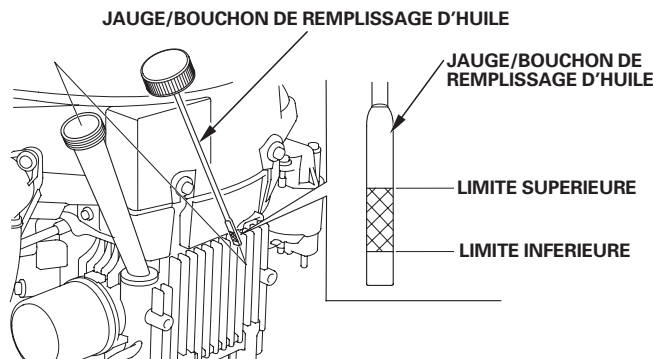
TEMPÉRATURE AMBIANTE

Une huile SAE 10W-30 est recommandée pour l'utilisation générale. Les autres viscosités indiquées dans le tableau peuvent être utilisées lorsque la température moyenne du lieu d'utilisation se trouve dans la plage indiquée.

### Vérification du niveau d'huile

Vérifier le niveau d'huile du moteur avec le moteur arrêté et à l'horizontale.

1. Retirer la jauge/bouchon de remplissage d'huile et l'essuyer.
2. Introduire la jauge/bouchon de remplissage d'huile dans le goulot de remplissage d'huile sans la visser, puis la retirer pour vérifier le niveau d'huile.
3. Si le niveau d'huile est proche du repère de limite minimum de la jauge ou au-dessous, faire l'appoint d'huile recommandée jusqu'au repère de limite maximum. Ne pas trop remplir.
4. Remettre la jauge/bouchon de remplissage d'huile en place.



### AVIS

L'utilisation du moteur avec un faible niveau d'huile peut provoquer des dommages au moteur. Ce type de dommages n'est pas couvert par la Garantie limitée du distributeur.

## Renouvellement d'huile

Vidanger l'huile usée alors que le moteur est chaud. La vidange s'effectue plus rapidement et plus complètement lorsque l'huile est chaude.

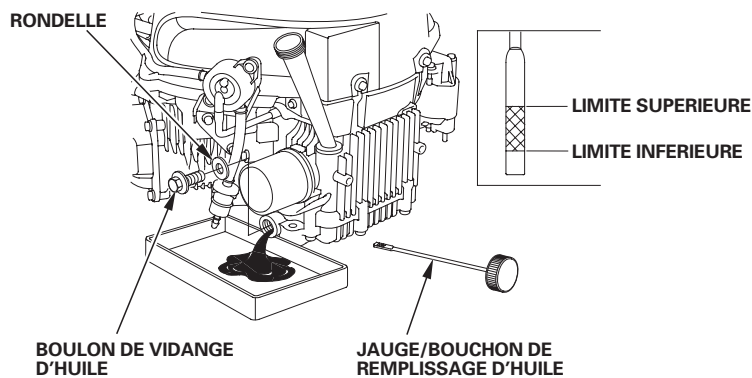
1. Placer un récipient approprié sous le moteur pour recueillir l'huile usée, puis retirer la jauge/bouchon de remplissage d'huile, le boulon de vidange et la rondelle.
2. Vidanger complètement l'huile usée, puis remettre le boulon de vidange en place avec une rondelle neuve et le serrer à fond.

Se débarrasser de l'huile moteur usée d'une manière compatible avec l'environnement. Nous conseillons de la porter dans un récipient fermé à la déchetterie locale ou à une station-service pour qu'elle soit recyclée. Ne pas la jeter aux ordures ni la déverser dans la terre ou dans un égout.

3. Avec le moteur à l'horizontale, remplir d'huile recommandée jusqu'au repère de limite maximum de la jauge (voir page 7 ).

### AVIS

L'utilisation du moteur avec un faible niveau d'huile peut provoquer des dommages au moteur. Ce type de dommages n'est pas couvert par la Garantie limitée du distributeur.



4. Remettre la jauge/bouchon de remplissage d'huile correctement en place.

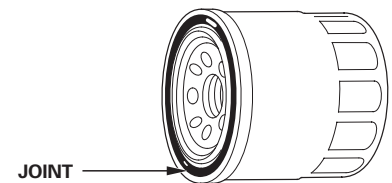
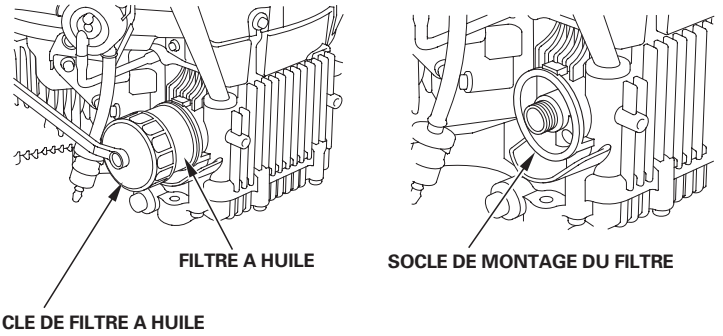
## FILTRE A HUILE (types applicables)

### Changement de filtre à huile

1. Vidanger l'huile moteur, puis resserrer le boulon de vidange à fond.
2. Déposer le filtre à huile avec une clé à filtre à huile et vidanger l'huile restante dans un récipient approprié. Jeter l'huile et le filtre usagés d'une manière compatible avec l'environnement.

### AVIS

Utiliser une clé à filtre à huile plutôt qu'une clé à sangle pour ne pas risquer de heurter et d'endommager le filtre à huile.



3. Nettoyer le socle de montage du filtre et enduire le joint d'un filtre à huile neuf avec de l'huile moteur propre.

### AVIS

N'utiliser qu'un filtre à huile Honda Genuine ou un filtre de qualité équivalente prescrit pour ce modèle. L'utilisation d'un filtre incorrect ou d'un filtre d'une autre marque que Honda de qualité non équivalente peut causer des dommages au moteur.

4. Visser le filtre à huile neuf à la main jusqu'à ce que le joint vienne en contact avec le socle de montage du filtre, puis utiliser une clé à filtre à huile pour serrer le filtre d'encore 7/8 tour.

Couple de serrage du filtre à huile: 12 N·m (1,2 kgf·m)

5. Remplir le carter moteur avec la quantité spécifiée d'huile recommandée (voir page 7 ). Remettre la jauge/bouchon de remplissage d'huile en place.
6. Mettre le moteur en marche et vérifier s'il n'y a pas de fuites.
7. Arrêter le moteur et vérifier le niveau d'huile comme il est indiqué à la page 7 . Si nécessaire, faire l'appoint d'huile jusqu'au repère de limite maximum de la jauge.

## FILTRE A AIR

Un filtre à air sale restreint le passage d'air vers le carburateur et réduit ainsi les performances du moteur. Si l'on utilise le moteur dans des endroits très poussiéreux, nettoyer le filtre à air plus souvent qu'il n'est indiqué dans le PROGRAMME D'ENTRETIEN.

### AVIS

*Si l'on utilise le moteur sans filtre à air ou avec un filtre à air endommagé, des saletés pénétreront dans le moteur qui s'usera alors rapidement. Ce type de dommage n'est pas couvert par la Garantie limitée du distributeur.*

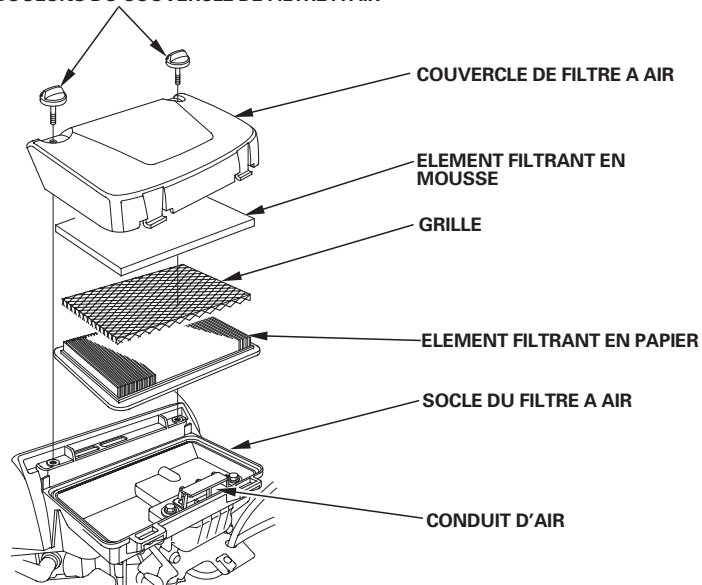
### Contrôle

Déposer le couvercle de filtre à air et contrôler les éléments filtrants. Nettoyer ou remplacer des éléments filtrants sales. Toujours remplacer des éléments filtrants endommagés.

### Nettoyage

1. Retirer les deux boulons du couvercle de filtre à air et déposer le couvercle.
2. Déposer l'élément filtrant en mousse.
3. Déposer l'élément filtrant en papier de la grille.

#### BOULONS DU COUVERCLE DE FILTRE A AIR



4. Contrôler les deux éléments du filtre à air et les remplacer s'ils sont endommagés. Toujours remplacer l'élément filtrant en papier aux intervalles prévus dans le programme d'entretien (voir page 6).

5. Nettoyer les éléments du filtre à air s'ils doivent être réutilisés.

Élément filtrant en papier: Tapoter doucement l'élément filtrant à plusieurs reprises sur une surface dure pour en détacher la saleté ou appliquer un jet d'air comprimé [207 kPa (2,1 kgf/cm<sup>2</sup>) maximum] à travers l'élément filtrant depuis l'intérieur. Ne jamais essayer de faire partir la saleté avec une brosse; ceci ne ferait qu'enfoncer la saleté dans les fibres.

Élément filtrant en mousse: Nettoyer l'élément filtrant dans de l'eau savonneuse chaude, le rincer et le laisser sécher complètement. On pourra également le nettoyer dans un solvant ininflammable, puis le laisser sécher. Tremper l'élément filtrant dans de l'huile moteur propre, puis en exprimer toute huile en excès. S'il reste trop d'huile dans la mousse, le moteur fumera au démarrage.

### AVIS

*L'huile en excès fait obstacle au passage de l'air à travers l'élément filtrant en mousse et peut se transférer sur l'élément filtrant en papier et l'imbiber et le colmater.*

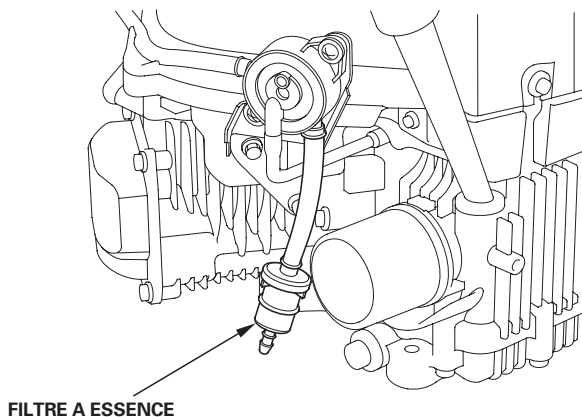
6. Essuyer la saleté à l'intérieur du socle et du couvercle de filtre à air à l'aide d'un chiffon humide. Veiller à ce que la saleté ne pénètre pas dans le conduit d'air menant au carburateur.
7. Placer l'élément filtrant en mousse dans le couvercle du filtre à air.
8. Poser la grille par-dessus l'élément filtrant en papier, puis poser l'ensemble dans le socle du filtre à air. La grille doit être placée entre l'élément en mousse et l'élément en papier pour empêcher que de l'huile ne soit transférée à l'élément en papier.
9. Reposer le couvercle du filtre à air et serrer les deux boulons de couvercle à fond.

## FILTRE A CARBURANT

### Contrôle

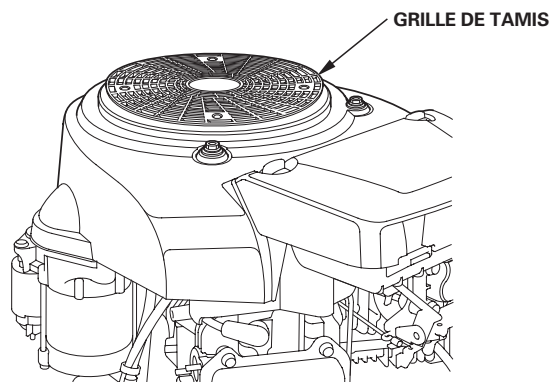
Vérifier s'il n'y a pas d'accumulation d'eau ou de dépôts dans le filtre à carburant.

S'il y a une accumulation excessive d'eau ou de dépôts dans le filtre à carburant, porter le moteur chez un concessionnaire Honda agréé.



## SYSTEME DE REFROIDISSEMENT

Vérifier si la grille de tamis n'est pas colmatée et la nettoyer si nécessaire.



## BOUGIE

**Bougies recommandées:** BPR5ES (NGK)  
W16EPR-U (DENSO)

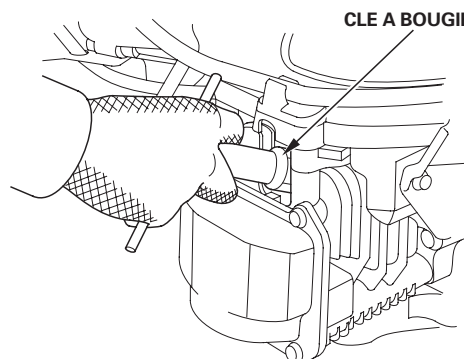
Les bougies recommandées possèdent l'indice thermique correct pour des températures normales de fonctionnement du moteur.

### AVIS

*Des bougies incorrectes peuvent provoquer des dommages au moteur.*

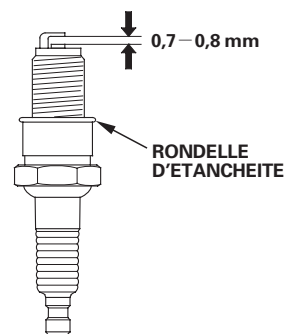
Pour que les performances soient bonnes, les bougies doivent avoir un écartement des électrodes correct et ne pas être encrassées.

1. Déconnecter les capuchons de bougie et nettoyer toute saleté autour des bougies.
2. Déposer les bougies avec une clé à bougie de 13/16 pouce.



3. Contrôler les bougies. Les remplacer si elles sont endommagées, très encrassées, si leur rondelle d'étanchéité est en mauvais état ou si leur électrode est usée.

4. Mesurer l'écartement des électrodes avec un calibre d'épaisseur à fils. Si nécessaire, le corriger en pliant l'électrode latérale. L'écartement des électrodes doit être de:  
0,7–0,8 mm



5. Reposer la bougie avec précaution à la main pour éviter de foirer son filetage.
6. Lorsque la bougie a touché son siège, continuer à la serrer avec une clé à bougie de 13/16 pouce pour comprimer la rondelle d'étanchéité.

Si la bougie est neuve, la serrer de 1/2 tour après qu'elle a touché son siège pour comprimer la rondelle.

Si elle a déjà été utilisée, la serrer de 1/8 à 1/4 de tour après qu'elle a touché son siège pour comprimer la rondelle.

### AVIS

*Une bougie insuffisamment serrée peut surchauffer et endommager le moteur. Un serrage excessif de la bougie peut endommager le filetage dans la culasse.*

7. Fixer les capuchons de bougie sur les bougies.

## PARE-ÉTINCELLES (types applicables)

En Europe et dans les autres pays où la directive 2006/42/CE relative aux machines est en vigueur, ce nettoyage doit être effectué par le concessionnaire.

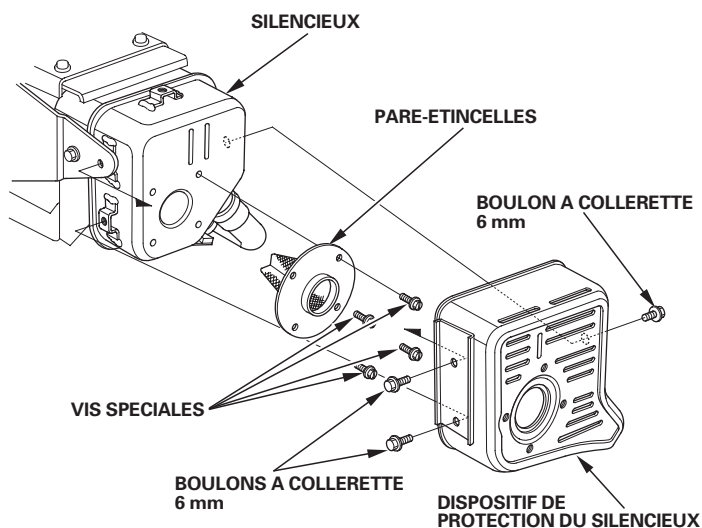
Ce moteur n'a pas été équipé d'un pare-étincelles en usine. Le pare-étincelles est une pièce en option. Dans certaines zones, il n'est pas autorisé d'utiliser un moteur sans pare-étincelles. Se renseigner sur la réglementation locale. Un pare-étincelles est en vente chez les concessionnaires Honda agréés.

Le pare-étincelles doit être entretenu toutes les 100 heures pour pouvoir continuer à fonctionner de la manière prévue.

Si le moteur vient de tourner, le silencieux sera chaud. Le laisser se refroidir avant de contrôler le pare-étincelles.

### Nettoyage du pare-étincelles

1. Retirer les trois boulons à collerette de 6 mm du protecteur de silencieux et déposer le protecteur de silencieux.
2. Retirer les quatre vis spéciales du pare-étincelles et déposer le pare-étincelles du silencieux.



3. Utiliser une brosse pour retirer la calamine du tamis du pare-étincelles. Veiller à ne pas endommager le tamis.

Le pare-étincelles ne doit pas être cassé ou troué. Remplacer le pare-étincelles s'il est endommagé.



GRILLE DE PARE-ÉTINCELLES

4. Reposer le pare-étincelles et le protecteur de silencieux dans l'ordre inverse du démontage.

## CONSEILS ET SUGGESTIONS UTILES

### REMISAGE DU MOTEUR

#### Préparation au remisage

Une préparation au remisage appropriée est essentielle pour maintenir le moteur en bon état de fonctionnement et lui conserver son bel aspect. Les opérations suivantes contribueront à empêcher que la rouille et la corrosion n'affectent le fonctionnement et l'aspect du moteur et à faciliter le démarrage du moteur lors de sa remise en service.

#### Nettoyage

Si le moteur vient de tourner, le laisser se refroidir pendant au moins une demi-heure avant le nettoyage. Nettoyer toutes les surfaces extérieures, faire les retouches de peinture nécessaires et enduire toutes les parties susceptibles de rouiller d'une légère couche d'huile.

#### AVIS

L'utilisation d'un tuyau d'arrosage ou d'un dispositif de lavage sous pression peut faire pénétrer de l'eau dans le filtre à air ou dans l'ouverture du silencieux. L'eau dans le filtre à air imbibé alors l'élément filtrant, et l'eau qui traverse l'élément filtrant ou le silencieux peut pénétrer dans le cylindre et causer des dommages.

#### Carburant

#### AVIS

Selon le lieu d'utilisation de l'équipement, le carburant peut se dégrader et s'oxyder rapidement. La dégradation et l'oxydation du carburant peuvent se produire en seulement 30 jours et provoquer des dommages au carburateur et/ou système d'alimentation en carburant. Pour les recommandations sur le stockage local, se renseigner auprès du concessionnaire.

L'essence s'oxyde et se dégrade lors du remisage. Une essence dégradée rend le démarrage difficile et laisse des dépôts de gomme susceptibles de boucher le système d'alimentation en carburant. Si l'essence dans le moteur se dégrade pendant le remisage, une intervention sur le carburateur et d'autres pièces du système d'alimentation en carburant ou leur remplacement peut être nécessaire.

La durée pendant laquelle on peut laisser l'essence dans le réservoir de carburant et le carburateur sans causer de problèmes fonctionnels dépend de facteurs tels que la composition de l'essence ou les températures de remisage ainsi que du degré de remplissage, partiel ou complet, du réservoir. L'air dans un réservoir de carburant partiellement rempli favorise la dégradation du carburant. De très fortes températures de dégradation accélèrent la dégradation du carburant. Des problèmes de dégradation du carburant peuvent survenir après quelques mois ou même plus rapidement si l'essence n'était pas fraîche lorsqu'on a fait le plein. Les dommages du système d'alimentation en carburant ou les problèmes de performances du moteur qui résultent d'une mauvaise préparation au remisage ne sont pas couverts par la *Garantie limitée du distributeur*. On peut prolonger la durée de vie du carburant lors du remisage en ajoutant un stabilisateur d'essence spécialement formulé à cet effet ou l'on peut éviter les problèmes de dégradation du carburant en vidangeant le réservoir de carburant et le carburateur.

#### Ajout d'un stabilisateur d'essence pour prolonger la durée de stockage du carburant

Lorsqu'on ajoute un stabilisateur d'essence, remplir le réservoir de carburant avec de l'essence fraîche. Si le réservoir n'est que partiellement rempli, l'air à l'intérieur favorise la dégradation du carburant pendant le remisage. Si l'on garde un bidon d'essence pour le ravitaillement, veiller à ce qu'il ne contienne que de l'essence fraîche.

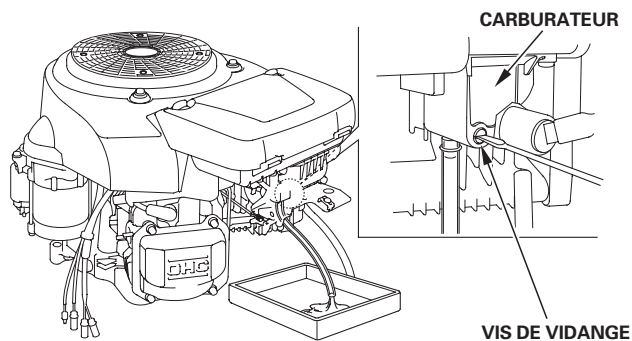
1. Ajouter le stabilisateur d'essence en suivant les instructions du fabricant.
2. Après avoir ajouté le stabilisateur d'essence, faire tourner le moteur à l'extérieur pendant 10 minutes pour être sûr que l'essence traitée a remplacé l'essence non traitée dans le carburateur.
3. Arrêter le moteur et, si le réservoir de carburant est doté d'un robinet de carburant, placer celui-ci sur la position FERME ou DESACTIVE.

### ⚠ ATTENTION

L'essence est très inflammable et explosive et l'on peut se brûler ou se blesser grièvement en la manipulant.

- Arrêter le moteur et ne pas autoriser de sources de chaleur, étincelles ou flammes à proximité.
- Ne manipuler le carburant qu'à l'extérieur.
- Essuyer immédiatement tout carburant renversé.

1. Débrancher la canalisation de carburant vers le moteur et vidanger le réservoir de carburant dans un récipient à essence agréé. Si le réservoir de carburant est doté d'un robinet de carburant, placer celui-ci sur la position OUVERT ou ACTIVE pour permettre la vidange. Après la vidange, rebrancher la canalisation de carburant.
2. Desserrer la vis de vidange du carburateur et vidanger le carburateur dans un récipient à essence agréé.



3. Après avoir recueilli toute l'essence dans le récipient, resserrer la vis de vidange à fond.

### Huile moteur

1. Renouveler l'huile moteur (voir page 8 ).
2. Déposer les bougies (voir page 10 ).
3. Verser une cuillère à café 5 – 10 cm<sup>3</sup> d'huile moteur propre dans chaque cylindre.
4. Faire tourner le moteur pendant quelques secondes en plaçant l'interrupteur du moteur sur la position DEMARRAGE pour distribuer l'huile dans les cylindres.
5. Reposer les bougies.

### Précautions de remisage

Si l'on remise le moteur avec de l'essence dans le réservoir de carburant et le carburateur, il est important de réduire les risques d'inflammation des vapeurs d'essence. Choisir une zone de remisage bien aérée loin de tout appareil à flamme tel que fourneau, chauffe-eau ou séchoir à linge. Eviter également un endroit où un moteur électrique produisant des étincelles ou des outils électriques sont utilisés.

Eviter dans la mesure du possible des zones de remisage très humides car ceci favorise la rouille et la corrosion.

Garder le moteur à l'horizontale lors du remisage. Une inclinaison peut provoquer des fuites de carburant ou d'huile.

Alors que le moteur et le système d'échappement sont froids, couvrir le moteur pour le protéger contre la poussière. Un moteur ou un système d'échappement chaud peut enflammer ou faire fondre certaines matières. Ne pas utiliser une feuille en plastique pour la protection contre la poussière.

Une bâche non poreuse emprisonne l'humidité autour du moteur et favorise la rouille et la corrosion.

Déposer la batterie et la ranger dans un endroit frais et sec. Pendant le remisage du moteur, recharger la batterie une fois par mois. Ceci prolongera la durée de service de la batterie.

### Fin du remisage

Vérifier le moteur comme il est indiqué à la section *CONTROLES AVANT L'UTILISATION* de ce manuel (voir page 3 ).

Si le carburant a été vidangé lors de la préparation au remisage, remplir le réservoir avec de l'essence fraîche. Si l'on garde un bidon d'essence pour le ravitaillement, veiller à ce qu'il ne contienne que de l'essence fraîche. L'essence s'oxyde et se dégrade avec le temps, ce qui rend le démarrage difficile.

Si les cylindres ont été enduits d'huile lors de la préparation au remisage, il se peut que le moteur fume brièvement au démarrage. Ceci est normal.

### TRANSPORT

Si le moteur vient de tourner, le laisser se refroidir pendant au moins 15 minutes avant de charger l'équipement commandé par lui sur le véhicule de transport. Un moteur ou un système d'échappement chaud peut provoquer des brûlures et enflammer certaines matières.

Garder le moteur à l'horizontale lors du transport pour réduire les risques de fuites de carburant. Si le réservoir de carburant est doté d'un robinet de carburant, placer celui-ci sur FERME ou DESACTIVE.



## EN CAS DE PROBLEME INATTENDU

| LE MOTEUR NE DEMARRE PAS  | Cause possible   | Remède  |
|---|--|---|
| 1. Vérifier la batterie et le fusible.  | Batterie déchargée.  | Recharger la batterie.  |
|   | Fusible sauté.   | Remplacer le fusible  |
| 2. Vérifier les positions des commandes.  | Robinet de carburant sur FERME. (Si le moteur en est équipé)   | Placer le levier sur la position ACTIVE ou OUVERT.  |
|   | Starter OUVERT.  | Placer le levier sur la position STARTER (FERME) si le moteur n'est pas chaud.                                    |
|   | Interrupteur du moteur sur ARRET.  | Placer l'interrupteur du moteur sur la position MARCHÉ.   |
| 3. Vérifier le carburant.   | Carburant épuisé.  | Faire le plein de carburant (p. 7).   |
|   | Mauvais carburant; moteur remis sans traitement ou vidange préalable de l'essence ou plein effectué avec une mauvaise essence. | Vidanger le réservoir de carburant et le carburateur (p. 12).<br>Faire le plein avec de l'essence fraîche (p. 7). |
| 4. Retirer les bougies et les contrôler.  | Bougie(s) défectueuse(s), encrassée(s) ou ayant un écartement des électrodes incorrect.  | Régler l'écartement des électrodes ou remplacer la ou les bougies (p. 10).  |
|   | Bougie(s) mouillée(s) de carburant (moteur noyé).  | Sécher et reposer les bougies. Mettre le moteur en marche avec le levier des gaz sur la position MAX.             |
| 5. Porter le moteur chez un concessionnaire Honda agréé ou consulter le manuel d'atelier. | Filtre à carburant obstrué, anomalie du carburateur, anomalie d'allumage, soupapes grippées, etc.                              | Remplacer ou réparer les pièces défectueuses si nécessaire.   |

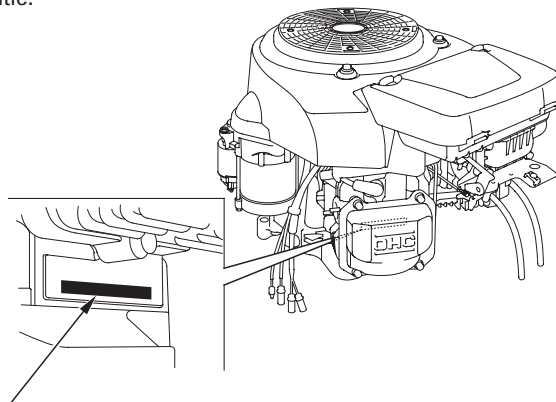
| LE MOTEUR MANQUE DE PUISSANCE   | Cause possible   | Remède  |
|---|--|---|
| 1. Vérifier le filtre à air.  | Elément(s) filtrant(s) colmaté(s).   | Nettoyer ou remplacer le ou les éléments filtrants (p. 9).  |
| 2. Vérifier le carburant.   | Mauvais carburant; moteur remis sans traitement ou vidange préalable de l'essence ou plein effectué avec une mauvaise essence. | Vidanger le réservoir de carburant et le carburateur (p. 12).<br>Faire le plein avec de l'essence fraîche (p. 7). |
| 3. Porter le moteur chez un concessionnaire Honda agréé ou consulter le manuel d'atelier. | Filtre à carburant obstrué, anomalie du carburateur, anomalie d'allumage, soupapes grippées, etc.                              | Remplacer ou réparer les pièces défectueuses si nécessaire.   |

## INFORMATIONS TECHNIQUES ET DU CONSOMMATEUR

### INFORMATIONS TECHNIQUES

#### Emplacement des numéros de série

Noter le numéro de série du moteur, le type et la date d'achat dans les espaces ci-dessous. Ces informations seront nécessaires pour la commande de pièces et les demandes de renseignements techniques ou de garantie.



EMPLACEMENT DU NUMERO DE SERIE ET DU TYPE DU MOTEUR

Numéro de série du moteur: \_\_\_\_\_

Type de moteur: \_\_\_\_\_

Date d'achat: \_\_\_\_ / \_\_\_\_ / \_\_\_\_

## Raccordements de la batterie pour le démarreur électrique

### Batterie recommandée

|        |              |
|--------|--------------|
| GCV520 | 12 V – 30 Ah |
| GXV520 |              |
| GCV530 | 12 V – 30 Ah |
| GXV530 |              |

Veiller à ne pas connecter la batterie avec une polarité inversée car cela court-circuiterait le système de charge de la batterie. Toujours connecter le câble positif (+) de la batterie à la borne de la batterie avant de connecter le câble négatif (-) de la batterie afin de ne pas risquer de provoquer un court-circuit en touchant une pièce reliée à la masse avec l'outil lors du serrage de l'extrémité du câble positif (+) de la batterie.

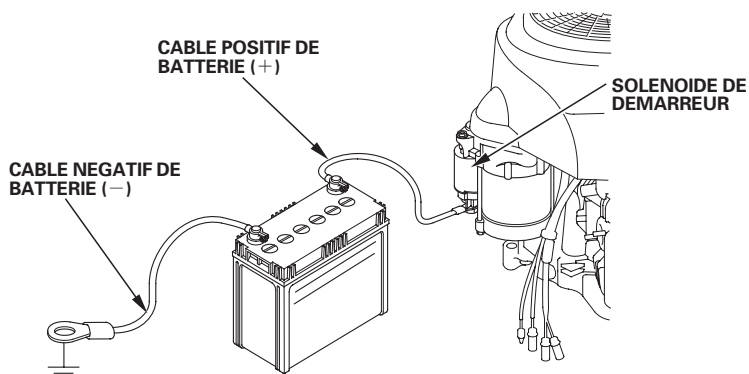
### ⚠ ATTENTION

Si l'on n'observe pas la procédure correcte, la batterie peut exploser et blesser grièvement quelqu'un à proximité.

Ne pas approcher d'étincelles, flammes vives et cigarettes de la batterie.

**ATTENTION:** Les bornes, cosses et accessoires connexes de la batterie contiennent du plomb et des composés de plomb. **Se laver les mains après les avoir manipulés.**

1. Connecter le câble positif (+) de la batterie à la borne du solénoïde de démarreur comme sur la figure.
2. Connecter le câble négatif (-) de la batterie à un boulon de montage du moteur, un boulon du châssis ou une autre bonne connexion de masse du moteur.
3. Connecter le câble positif (+) de la batterie à la borne positive (+) de la batterie comme sur la figure.
4. Connecter le câble négatif (-) de la batterie à la borne négative (-) de la batterie comme sur la figure.
5. Enduire les bornes et les extrémités de câble avec de la graisse.

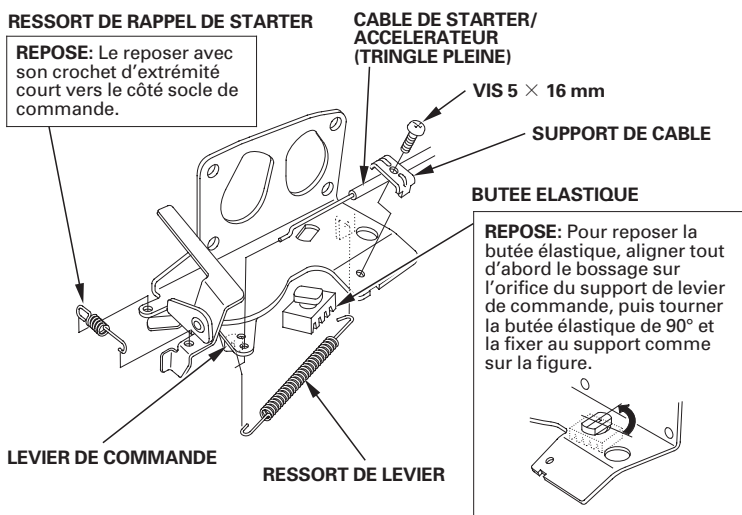


## Tringlerie de commande à distance

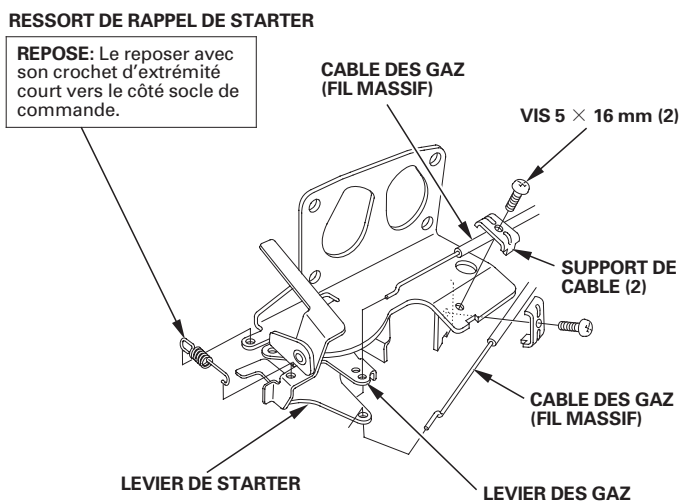
Les leviers des gaz et de starter comportent des orifices pour la fixation d'un câble en option.

Les illustrations suivantes présentent des exemples d'installation d'un câble métallique massif. Ne pas utiliser un câble métallique tressé.

### Type à levier simple:



### Type à levier double:



## Modifications du carburateur pour une utilisation à haute altitude

En haute altitude, le mélange air-carburant standard du carburateur s'enrichit excessivement. Les performances diminuent alors et la consommation de carburant augmente. Un mélange très riche encrasse également la bougie et rend le démarrage difficile. Une utilisation prolongée à des altitudes différentes de celles pour lesquelles ce moteur a été certifié peut entraîner une augmentation des émissions polluantes.

On peut améliorer les performances en haute altitude en effectuant certaines modifications sur le carburateur. Si l'on utilise toujours le moteur à des altitudes supérieures à 1.500 mètres, demander au concessionnaire d'effectuer ces modifications du carburateur. Lors d'une utilisation en haute altitude, le moteur satisfera aux normes antipollution pendant toute sa durée de service si les modifications du carburateur pour une utilisation en haute altitude ont été effectuées.

Même avec un carburateur modifié, la puissance du moteur diminuera d'environ 3,5 % pour chaque augmentation d'altitude de 300 mètres. Si le carburateur n'est pas modifié, l'effet de l'altitude sur la puissance sera encore plus important.

### AVIS

*Lorsque le carburateur a été modifié pour une utilisation à haute altitude, le mélange air-carburant est trop pauvre pour une utilisation à basse altitude. L'utilisation à des altitudes inférieures à 1.500 mètres avec un carburateur modifié peut provoquer une surchauffe du moteur et entraîner d'importants dommages au moteur. Pour une utilisation à basse altitude, faire remettre le carburateur aux spécifications d'usine d'origine par le concessionnaire.*

## Informations sur le système antipollution

### Source des émissions polluantes

La combustion du carburant s'accompagne d'un rejet de monoxyde de carbone, d'oxydes d'azote et d'hydrocarbures. Il est très important de contrôler les hydrocarbures et les oxydes d'azote car, dans certaines conditions, ils réagissent à la lumière du soleil pour former un brouillard photochimique. Le monoxyde de carbone ne réagit pas de la même manière, mais il est toxique.

Honda utilise des proportions air/carburant appropriées et d'autres systèmes antipollution pour réduire les rejets de monoxyde de carbone, d'oxydes d'azote et d'hydrocarbures.

Les circuits de carburant Honda utilisent par ailleurs des pièces et technologies de commande pour réduire l'évaporation de carburant.

### Etats-Unis, California Clean Air Act et Environnement Canada

La réglementation de l'EPA (agence de protection de l'environnement), de Californie, et du Canada exige de tous les fabricants qu'ils fournissent des instructions écrites décrivant le fonctionnement et l'entretien des systèmes antipollution.

Les instructions et procédures suivantes doivent être respectées afin de maintenir les émissions polluantes du moteur Honda dans les limites autorisées.

### Modification non autorisée et altération

La modification non autorisée ou l'altération du système antipollution peut entraîner une augmentation des émissions polluantes au-delà de la limite légale. Les actions suivantes constituent notamment des modifications non autorisées:

- Retrait ou altération d'une pièce quelconque des systèmes d'admission, d'alimentation en carburant ou d'échappement.
- Altération ou neutralisation de la tringlerie du régulateur de régime ou du mécanisme de réglage de régime ayant pour effet de faire fonctionner le moteur en dehors de ses paramètres de conception.

### Problèmes pouvant avoir une incidence sur les émissions polluantes

Si l'on constate l'un des symptômes suivants, faire contrôler et réparer le moteur par le concessionnaire.

- Démarrage difficile ou calage après le démarrage.
- Ralenti irrégulier.
- Ratés d'allumage ou retours de flammes en charge.
- Postcombustion (retours de flamme).
- Fumée d'échappement noire ou consommation de carburant excessive.

### Pièces de rechange

Les systèmes antipollution du moteur Honda ont été conçus, fabriqués et homologués conformément à la réglementation sur la pollution de l'EPA (agence de protection de l'environnement), de Californie (modèles homologués pour la vente en Californie) et du Canada. Nous recommandons d'utiliser des pièces Honda Genuine lors de tout entretien. Ces pièces de rechange ont la conception d'origine et sont fabriquées en appliquant les mêmes normes que les pièces initiales, ce qui garantit la fiabilité de leurs performances. L'utilisation de pièces de rechange n'ayant pas la conception et la qualité d'origine peut nuire à l'efficacité du système antipollution.

Le fabricant d'une pièce du marché des pièces de rechange assume la responsabilité que cette pièce n'affectera pas la performance antipollution. Le fabricant ou le constructeur de la pièce doit certifier que l'utilisation de cette pièce n'empêchera pas le moteur de se conformer à la réglementation sur la pollution.

### Entretien

Observer le programme d'entretien de la page 6. Ne pas oublier que ce programme présuppose que la machine sera utilisée pour l'application pour laquelle elle est prévue. Une utilisation prolongée sous une charge élevée ou par haute température, ou dans des conditions anormalement humides ou poussiéreuses demande un entretien plus fréquent.

### Indice atmosphérique

(Modèles homologués pour la vente en Californie)

Une étiquette d'informations sur l'indice atmosphérique est apposée sur les moteurs certifiés pour une période d'endurance des pièces antipollution conformément aux exigences du California Air Resources Board.

Le barre-graphe permet au client de comparer les performances antipollution des moteurs disponibles. Plus l'indice atmosphérique est faible, moindre est la pollution.

La désignation d'endurance fournit des informations relatives à la période d'endurance des pièces antipollution du moteur. La durée de désignation est la durée de service utile du système antipollution du moteur. Pour plus d'informations, consulter la *Garantie du système antipollution*.

| Durée de désignation | Applicable à la période d'endurance des pièces antipollution  |
|----------------------|---|
| Modérée              | 50 heures (0 – 80 cm <sup>3</sup> inclus)<br>125 heures (plus de 80 cm <sup>3</sup> )   |
| Intermédiaire        | 125 heures (0 – 80 cm <sup>3</sup> inclus)<br>250 heures (plus de 80 cm <sup>3</sup> )  |
| Prolongée            | 300 heures (de 0 à 80 cm <sup>3</sup> inclus)<br>500 heures (plus de 80 cm <sup>3</sup> )<br>1.000 heures (225 cm <sup>3</sup> et plus) |

### Caractéristiques

#### GCV520/GXV520 (Type QEA-1)

|   |  |
|---|--|
| Longueur × Largeur × Hauteur                          | 458 × 427 × 331 mm   |
| Masse à sec [poids]                                   | 30,5 kg  |
| Type de moteur  | 4 temps, arbre à came en tête, 2 cylindres (jumelés en V à 90°)                            |
| Cylindrée [Alésage × Course]                          | 530 cm <sup>3</sup> [77,0 × 57,0 mm]   |
| Puissance nette (conformément à SAE J1349*)           | 9,8 kW (13,3 PS) à 3.600 min <sup>-1</sup> (tr/mn)   |
| Couple net maxi (GCV520U) (conformément à SAE J1349*) | 33,2 N·m (3,39 kgf·m) à 2.500 min <sup>-1</sup> (tr/mn)                                    |
| Couple net maxi (GXV520U) (conformément à SAE J1349*) | 32,9 N·m (3,35 kgf·m) à 2.500 min <sup>-1</sup> (tr/mn)                                    |
| Contenance en huile moteur                            | Sans remplacement du filtre à huile: 0,90 L<br>Avec remplacement du filtre à huile: 1,00 L |
| Système de refroidissement                            | Air forcé  |
| Système d'allumage                                    | Transistor magnétique  |
| Rotation de l'arbre de prise de force                 | Sens inverse des aiguilles d'un montre   |

\* La puissance nominale du moteur indiquée dans ce document est la puissance de sortie nette testée sur un moteur de production de ce modèle, et mesurée conformément à SAE J1349 à 3.600 r/min (puissance nette) et à 2.500 r/min (couple net maxi). La puissance de sortie des moteurs fabriqués en grande série peut être différente de cette valeur.

La puissance de sortie réelle lorsque le moteur est installé dans la machine finale variera en fonction de plusieurs facteurs, y compris la vitesse de fonctionnement du moteur pendant l'utilisation, les conditions environnementales, la maintenance et autres variables.

### GCV530/GXV530 (Type QEA-1)

|  |  |
|--|--|
| Longueur × Largeur × Hauteur                         | 458 × 427 × 331 mm   |
| Masse à sec [poids]                                  | 30,5 kg  |
| Type de moteur                                       | 4 temps, arbre à came en tête, 2 cylindres (jumelés en V à 90°)                            |
| Cylindrée [Alésage × Course]                         | 530 cm <sup>3</sup> [77,0 × 57,0 mm]   |
| Puissance nette (conformément à SAE J1349*)          | 11,3 kW (15,4 PS) à 3.600 min <sup>-1</sup> (tr/mn)  |
| Couple net maxi (GCV530) (conformément à SAE J1349*) | 34,3 N·m (3,50 kgf·m) à 2.500 min <sup>-1</sup> (tr/mn)                                    |
| Couple net maxi (GXV530) (conformément à SAE J1349*) | 34,2 N·m (3,49 kgf·m) à 2.500 min <sup>-1</sup> (tr/mn)                                    |
| Contenance en huile moteur                           | Sans remplacement du filtre à huile: 0,90 L<br>Avec remplacement du filtre à huile: 1,00 L |
| Système de refroidissement                           | Air forcé  |
| Système d'allumage                                   | Transistor magnétique  |
| Rotation de l'arbre de prise de force                | Sens inverse des aiguilles d'un montre   |

\* La puissance nominale du moteur indiquée dans ce document est la puissance de sortie nette testée sur un moteur de production de ce modèle, et mesurée conformément à SAE J1349 à 3.600 r/min (puissance nette) et à 2.500 r/min (couple net maxi). La puissance de sortie des moteurs fabriqués en grande série peut être différente de cette valeur.  
La puissance de sortie réelle lorsque le moteur est installé dans la machine finale variera en fonction de plusieurs facteurs, y compris la vitesse de fonctionnement du moteur pendant l'utilisation, les conditions environnementales, la maintenance et autres variables.

### Caractéristiques de mise au point GCV520/530, GXV520/530

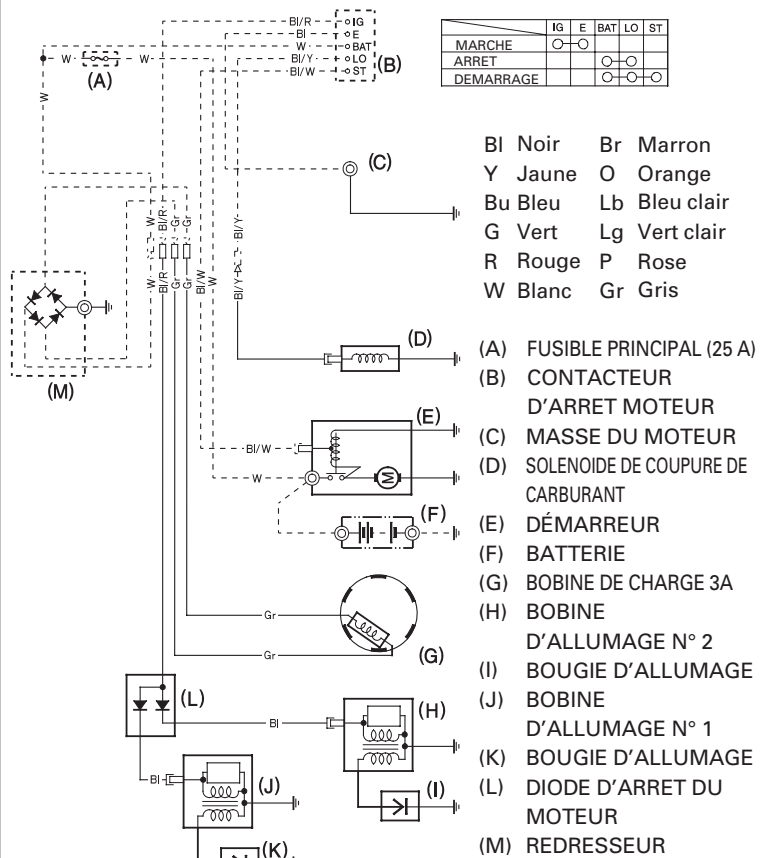
| DESCRIPTION                | CARACTERISTIQUES  | ENTRETIEN                                |
|----------------------------|---|--|
| Ecartement des électrodes  | 0,7 – 0,8 mm  | Voir page 10                             |
| Régime de ralenti          | 1.400 <sup>+200</sup> / <sub>-150</sub> min <sup>-1</sup> (tr/mn) | Consulter le concessionnaire Honda agréé |
| Jeu aux soupapes (à froid) | ADM: 0,10 ± 0,04 mm<br>ECH: 0,15 ± 0,04 mm                        |  |
| Autres caractéristiques    | Aucun autre réglage nécessaire.                                   |  |

### Informations de référence rapide

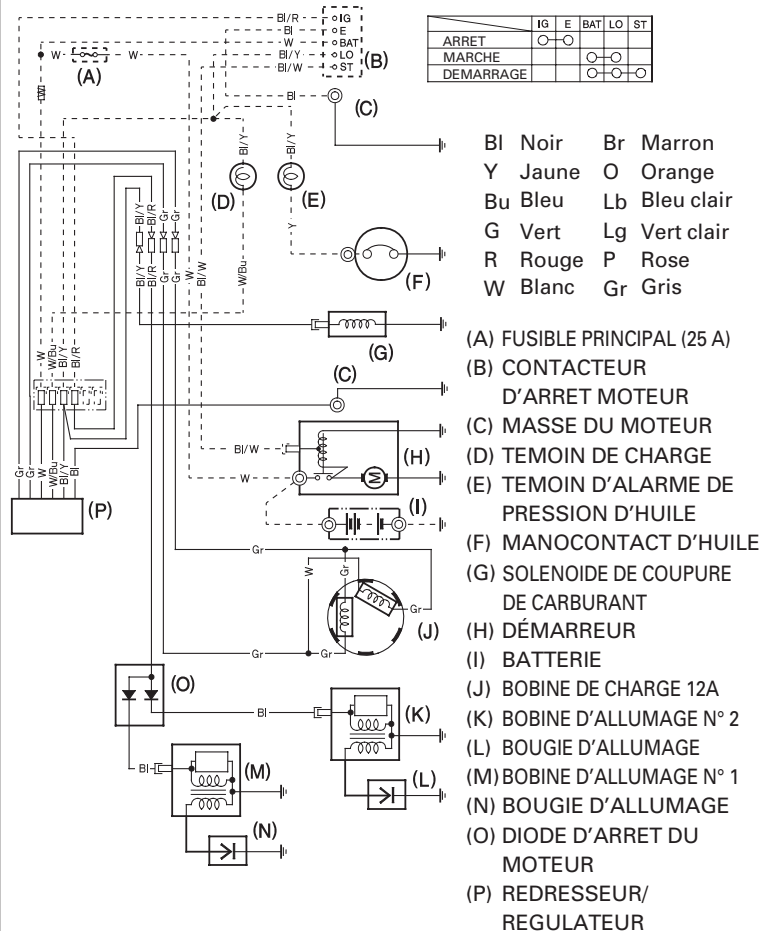
|  |   |   |
|--|---|---|
| Carburant                                  | Essence sans plomb (Voir page 7)  |   |
|  | Etats-Unis  | Indice d'octane pompe d'au moins 86       |
|  | Sauf Etats-Unis   | Indice d'octane recherche d'au moins 91   |
| Huile moteur                               | SAE 10W-30, API SJ ou ultérieure, pour l'utilisation générale.<br>Voir page 7.  |   |
|  | Bougie  | BPR5ES (NGK)<br>W16EPR-U (DENSO)          |
| Entretien                                  | Avant chaque utilisation:   |   |
|  | <ul style="list-style-type: none"> <li>• Vérifier le niveau d'huile moteur. Voir page 7.</li> <li>• Vérifier le filtre à air. Voir page 9.</li> </ul> |   |
|  | Premières 20 h:   |   |
| Après:                                     |   | • Renouveler l'huile moteur. Voir page 8. |
| Voir le programme d'entretien à la page 6. |   |   |

### Schémas de câblage

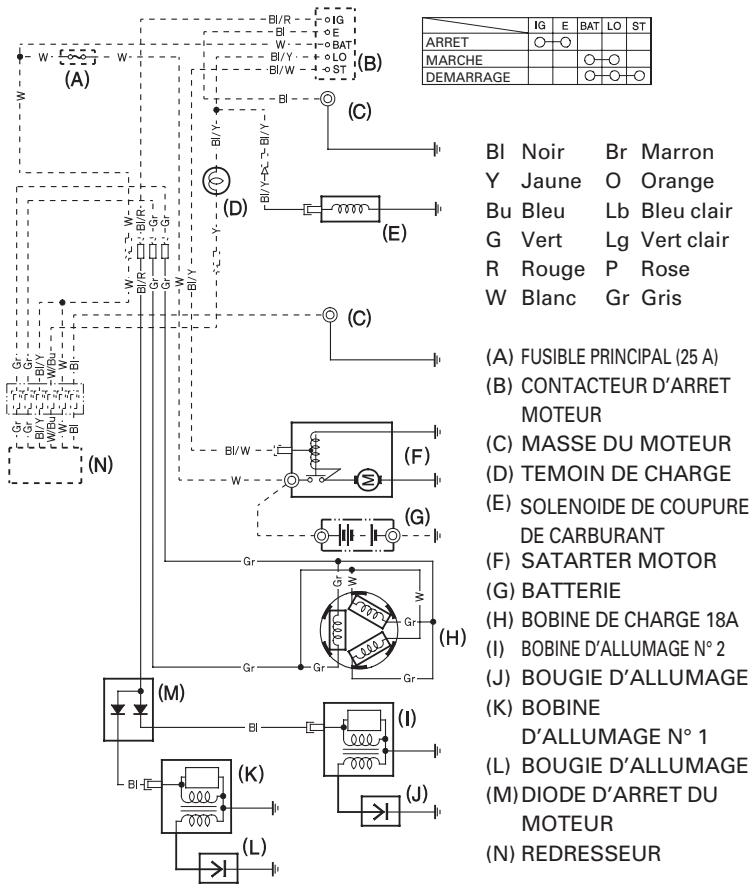
#### Avec bobine de charge de 3 A



#### Avec bobine de charge de 12 A



Avec bobine de charge de 18A



## INFORMATION DU CONSOMMATEUR

### Informations sur la garantie et le localisateur de distributeurs/ concessionnaires

#### Etats-Unis, Puerto Rico et Iles vierges américaines:

Rendez-vous sur notre site Web: [www.honda-engines.com](http://www.honda-engines.com)

#### Canada:

Appelez le (888) 9HONDA9

ou rendez-vous sur notre site Web: [www.honda.ca](http://www.honda.ca)

#### Pour la zone européenne:

Rendez-vous sur notre site Web: <http://www.honda-engines-eu.com>

#### Australie:

Appelez le (03) 9270 1348

ou rendez vous sur notre site Web: [www.hondampe.com.au](http://www.hondampe.com.au)

### Informations d'entretien pour le client

Le personnel des concessionnaires compte des professionnels qualifiés. Il devrait pouvoir répondre à toutes vos questions. Si le concessionnaire ne résout pas votre problème de manière satisfaisante, adressez-vous à la direction du concessionnaire. Le responsable du service après-vente, le directeur général ou le propriétaire pourra vous aider. Presque tous les problèmes se résolvent de cette manière.

#### Etats-Unis, Puerto Rico et Iles vierges américaines:

Si vous n'êtes pas satisfait de la décision prise par la direction du concessionnaire, adressez-vous au distributeur régional de moteurs Honda de votre région.

Si vous n'êtes toujours pas satisfait après avoir parlé au distributeur régional de moteurs, vous pourrez vous adresser au bureau Honda indiqué.

#### Toutes les autres zones:

Si vous n'êtes pas satisfait de la décision prise par la direction du concessionnaire, adressez-vous au bureau Honda indiqué.

#### 《Bureau Honda》

Lorsque vous écrivez ou appelez, veuillez fournir les informations suivantes:

- Nom du fabricant et numéro de modèle de l'équipement sur lequel est monté le moteur
- Modèle, numéro de série et type du moteur (voir page 13)
- Nom du concessionnaire vous ayant vendu le moteur
- Nom, adresse et personne à contacter du concessionnaire assurant le service après-vente de votre moteur
- Date d'achat
- Vos nom, adresse et numéro de téléphone
- Description détaillée du problème

#### Etats-Unis, Puerto Rico et Iles vierges américaines:

##### American Honda Motor Co., Inc.

Power Equipment Division

Customer Relations Office

4900 Marconi Drive

Alpharetta, GA 30005-8847

Ou téléphoner au : (770) 497-6400, 8 h 30 - 19 h 00 HNE

#### Canada:

##### Honda Canada, Inc.

Pour l'adresse, veuillez vous rendre sur le site [www.honda.ca](http://www.honda.ca)

Téléphone: (888) 9HONDA9 Sans frais  
(888) 946-6329

Télécopieur: (877) 939-0909 Sans frais

#### Australie:

##### Honda Australia Motorcycle and Power Equipment Pty. Ltd.

1954 – 1956 Hume Highway

Campbellfield Victoria 3061

Téléphone: (03) 9270 1111

Télécopieur: (03) 9270 1133

#### Pour la zone européenne:

##### Honda Europe NV.

European Engine Center

<http://www.honda-engines-eu.com>

#### Toutes les autres zones:

S'adresser au distributeur Honda local pour toute assistance.

**HONDA**  
The Power of Dreams

**HONDA**  
The Power of Dreams



## INTRODUCCIÓN

Muchas gracias por la adquisición de un motor Honda. Nos gustaría ayudarle a obtener los mejores resultados con su nuevo motor y a operarlo con seguridad. Este manual contiene información para ello; léalo detenidamente antes de poner en funcionamiento el motor. En caso de encontrarse con algún problema, o si tiene alguna pregunta sobre su motor, consulte a un concesionario de servicio Honda autorizado.

Toda la información de esta publicación se basa en la información más reciente disponible en el momento de la impresión. Honda Motor Co., Ltd. se reserva el derecho a efectuar cambios en cualquier momento sin previo aviso y sin incurrir en ningún tipo de obligación. No se permite la reproducción de ninguna parte de esta publicación sin permiso por escrito.


Este manual debe considerarse como una parte permanente del motor y debe permanecer con el motor en caso de reventa.

Revise las instrucciones suministradas con el equipo que funcionará con este motor para encontrar información adicional sobre la puesta en marcha del motor, parada, operación, ajustes, o instrucciones especiales para el mantenimiento.

Estados Unidos, Puerto Rico, e Islas Vírgenes Estadounidenses:  
Le aconsejamos que lea el contrato de garantía para que comprenda su alcance y sus responsabilidades de propiedad. El contrato de garantía es un documento independiente que le habrá entregado su concesionario.

## MENSAJES DE SEGURIDAD

Su seguridad y la seguridad de los demás son muy importantes. Hemos incluido mensajes de seguridad importantes en este manual y en el motor. Lea detenidamente estos mensajes.

Un mensaje de seguridad le avisa sobre los peligros potenciales que podrían causarle lesiones a usted y a los demás. Cada mensaje de seguridad viene precedido por un símbolo de alerta de seguridad  y una de las tres palabras, PELIGRO, ADVERTENCIA o PRECAUCION.

Estas palabras de indicación significan:

### PELIGRO

Correrá el peligro de MUERTE o de HERIDAS GRAVES si no sigue las instrucciones.

### ADVERTENCIA

Podrá correr el peligro de MUERTE o de HERIDAS GRAVES si no sigue las instrucciones.

### PRECAUCION

Podrá correr el peligro de HERIDAS si no sigue las instrucciones.

Cada mensaje le explica en qué consiste el peligro, lo que puede suceder, y lo que usted debe hacer para evitar las heridas o para reducirlas.

## MENSAJES PARA PREVENCIÓN DE DAÑOS

Encontrará también otros mensajes importantes que vienen precedidos por la palabra AVISO.

Esta palabra significa:

### AVISO

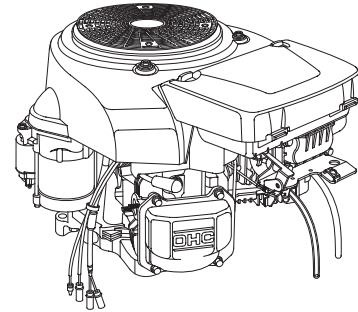
Pueden producirse daños en el motor o en la propiedad de terceras personas si no sigue las instrucciones.

El propósito de estos mensajes es el de ayudar a evitar daños en el motor, en la propiedad de terceras personas, o en medio ambiente.

# HONDA

## MANUAL DEL PROPIETARIO

### GCV520 · GCV530 · GXV520 · GXV530



### ADVERTENCIA:

Los gases de escape de este producto contienen agentes químicos que, según el Estado de California, causan cáncer, defectos de nacimiento u otros efectos perjudiciales reproductivos.

## CONTENIDO

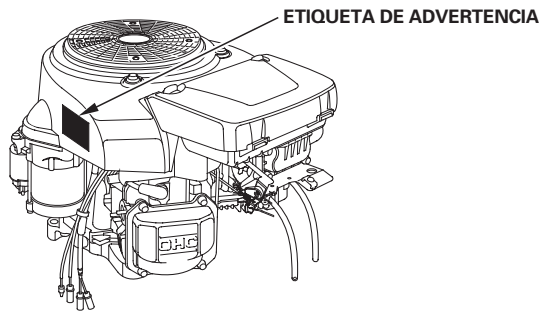
|  |  |
|--|--|
| INTRODUCCIÓN.....1                                   | FILTRO DE COMBUSTIBLE.....10   |
| MENSAJES DE SEGURIDAD.....1                          | SISTEMA DE ENFRIAMIENTO...10   |
| INFORMACIÓN DE SEGURIDAD.....2                       | BUJÍA.....10   |
| SITUACIÓN DE LAS ETIQUETAS DE SEGURIDAD.....2        | PARACHISPAS.....11   |
| SITUACIONES DE LOS COMPONENTES Y CONTROLES.....2     | SUGERENCIAS Y OBSERVACIONES DE UTILIDAD.....11                             |
| CARACTERÍSTICAS.....3                                | ALMACENAJE DEL MOTOR.....11  |
| COMPROBACIONES PREVIAS A LA OPERACIÓN.....3          | TRANSPORTE.....12  |
| OPERACIÓN.....4                                      | CUIDADOS PARA PROBLEMAS INESPERADOS.....13                                 |
| PRECAUCIONES DE SEGURIDAD DURANTE LA OPERACIÓN.....4 | INFORMACIÓN TÉCNICA Y DEL CONSUMIDOR.....13                                |
| ARRANQUE DEL MOTOR.....4                             | Situación del número de serie...13   |
| PARADA DEL MOTOR.....5                               | Conexiones de la batería para el motor de arranque eléctrico.....14        |
| AJUSTE DE LA VELOCIDAD DEL MOTOR.....5               | Enlace de control remoto.....14  |
| SERVICIO DE SU MOTOR.....6                           | Modificaciones del carburador para funcionar a gran altitud.....15         |
| LA IMPORTANCIA DEL MANTENIMIENTO.....6               | Información del sistema de control de las emisiones de escape.....15       |
| SEGURIDAD DEL MANTENIMIENTO.....6                    | Índice de aire.....16  |
| PRECAUCIONES DE SEGURIDAD.....6                      | Especificaciones.....16  |
| PROGRAMA DE MANTENIMIENTO.....6                      | Especificaciones de reglaje.....17   |
| PARA REPOSTAR.....7                                  | Información de referencia rápida.....17                                    |
| ACEITE DE MOTOR.....7                                | Diagramas de conexiones.....17   |
| Aceite recomendado.....7                             | INFORMACIÓN DEL CONSUMIDOR.....19  |
| Comprobación del nivel de aceite...7                 | Garantía e información para encontrar distribuidores/concesionarios.....19 |
| Cambio del aceite.....8                              | Información de servicio de clientes.....19                                 |
| FILTRO DE ACEITE.....8                               |  |
| FILTRO DE AIRE.....9                                 |  |
| Inspección.....9                                     |  |
| Limpieza.....9                                       |  |

## INFORMACIÓN DE SEGURIDAD

- Comprenda el funcionamiento de todos los controles y aprenda a parar con rapidez el motor en un caso de emergencia. Asegúrese de que el operador haya recibido una instrucción adecuada antes de operar el equipo.
- No permita que los niños operen el motor. Mantenga a los niños y animales apartados del lugar de operación.
- Los gases de escape del motor contienen monóxido de carbono que es venenoso. No ponga en marcha el motor si no hay una ventilación adecuada, y no ponga nunca en marcha el motor en un lugar cerrado.
- El motor y el sistema de escape se calientan mucho durante la operación. Mantenga el motor por lo menos a 1 metro de distancia de edificios y de otros equipos durante la operación. Mantenga apartados los materiales inflamables, y no ponga nada sobre el motor mientras esté en marcha.

## SITUACIÓN DE LAS ETIQUETAS DE SEGURIDAD

Esta etiqueta le avisa sobre peligros potenciales que pueden ocasionar heridas graves. Léala detenidamente. Si la etiqueta se despegue o si resulta difícil de leer, solicite su reemplazo a su concesionario de servicio Honda.



| ETIQUETA DE ADVERTENCIA   | Para la UE                   | Excepto la UE                |
|---|------------------------------|------------------------------|
| <p>Honda Motor Co., Ltd.<br/>MADE IN JAPAN</p>  | adherida al producto         | suministrada con el producto |
| <p><b>⚠ WARNING</b></p> <p>Gasoline is highly flammable and explosive. Turn engine off and let cool before refueling. The engine emits toxic carbon monoxide. Do not run in an enclosed area. Read Owner's Manual before operation.</p> <p>Honda Motor Co., Ltd. MADE IN JAPAN</p>  | suministrada con el producto | adherida al producto         |
| <p><b>⚠ ATTENTION</b></p> <p>L'essence est très inflammable et explosive. Arrêter le moteur et le laisser refroidir avant de faire le plein d'essence. Le moteur produit les vapeurs nocives de monoxyde de carbone. Ne pas utiliser dans un local clos. Lire le manuel de propriétaire avant l'utilisation.</p> <p>Honda Motor Co., Ltd. MADE IN JAPAN</p> | suministrada con el producto | suministrada con el producto |

Equipado en fábrica Honda con un silenciador.

| ETIQUETA DE PRECAUCIÓN PARA EL SILENCIADOR  |                              |
|---|------------------------------|
| <p><b>⚠ CAUTION</b></p> <p>HOT MUFFLER CAN BURN YOU. Stay away if engine has been running.</p>                | suministrada con el producto |
| <p><b>⚠ ATTENTION</b></p> <p>L'ÉCHAPPEMENT CHAUD PEUT VOUS BRÛLER. S'ÉLOIGNER QUAND LE MOTEUR FONCTIONNE.</p> | suministrada con el producto |

## SITUACIONES DE LOS COMPONENTES Y CONTROLES



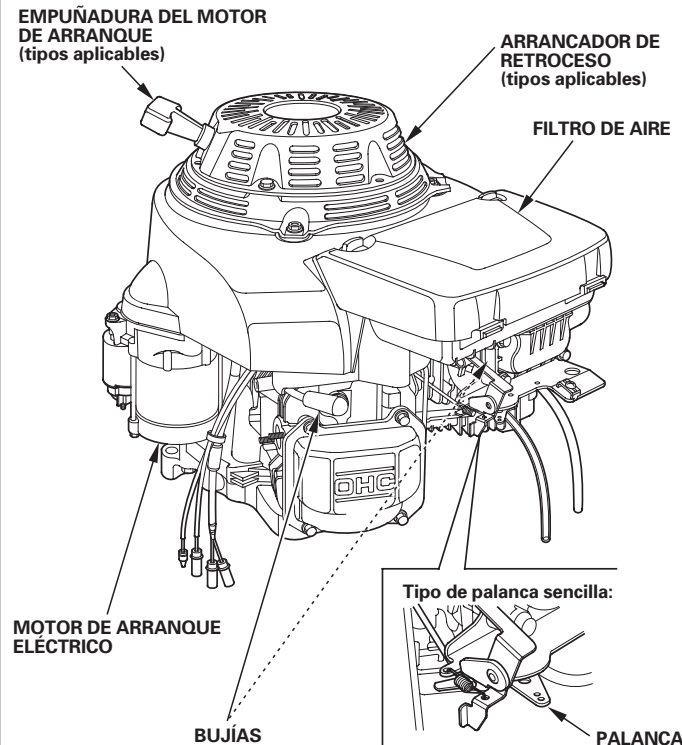
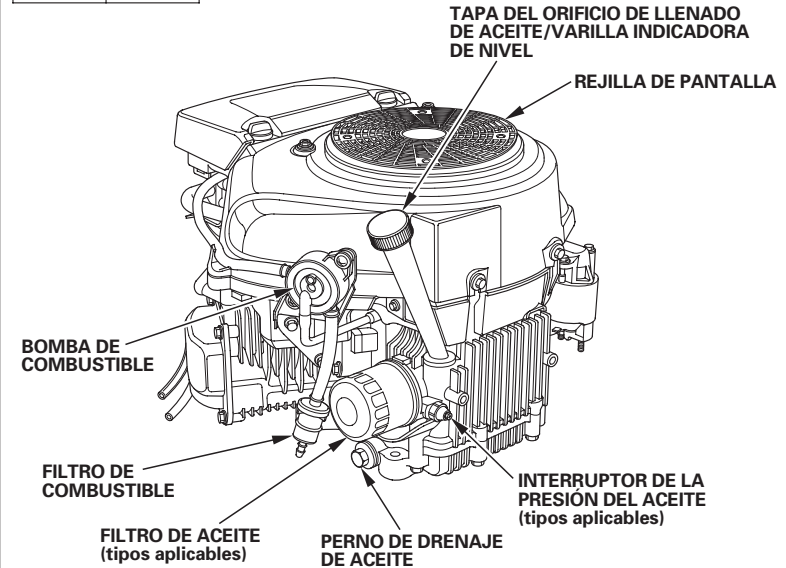
La gasolina es muy inflamable y explosiva. Pare el motor y espere a que se enfríe antes de repostar.



El motor emite gas monóxido de carbono que es tóxico y venenoso. No lo tenga en marcha en un lugar cerrado.



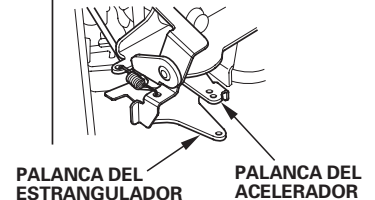
Lea el Manual del propietario antes de la operación.



Tipo de palanca sencilla:



Tipo de palanca doble:



## CARACTERÍSTICAS

### Solenoide de corte de combustible

El motor está equipado con un solenoide de corte de combustible que permite que fluya el combustible al surtidor principal del carburador cuando el interruptor del motor está en la posición ON o START y que detiene el flujo de combustible al surtidor principal cuando el interruptor del motor está en la posición OFF.

El motor debe estar conectado a la batería para energizar el solenoide de corte de combustible, para que el motor pueda ponerse en marcha. Si se desconecta la batería, se detendrá el flujo de combustible al carburador.

### Interruptor de la presión del aceite (tipos aplicables):

El motor está provisto de un interruptor de la presión del aceite para evitar daños debidos a la falta de lubricación o al sobrecalentamiento.

Si se enciende la lámpara de alarma de la presión del aceite, compruebe el nivel del aceite de motor y añada aceite de motor del tipo correcto si es necesario (vea la página 7).

Para volver a poner en marcha el motor, gire el interruptor del motor a la posición OFF. Luego, arranque de acuerdo con el procedimiento de arranque.

Si la lámpara de alarma de la presión del aceite sigue encendida aunque el nivel del aceite de motor sea correcto, pare el motor y consulte a un concesionario de servicio Honda autorizado.

## COMPROBACIONES PREVIAS A LA OPERACIÓN

### ¿ESTÁ PREPARADO EL MOTOR PARA FUNCIONAR?

Por su propia seguridad, para asegurar el cumplimiento de las regulaciones medioambientales y para maximizar la vida de servicio de su equipo, es muy importante emplear un poco de tiempo para comprobar el estado del motor antes de ponerlo en funcionamiento. Antes de poner en marcha el motor, deberá asegurarse de haber solucionado cualquier problema encontrado, o de solicitar a su concesionario de servicio que lo solucione.

### ADVERTENCIA

El mantenimiento inadecuado de este motor, o la falta de reparación de un problema antes de la operación, pueden ser causa de un mal funcionamiento en el que pueda correr el peligro de heridas graves o de muerte.

Efectúe siempre la inspección previa a la operación antes de cada operación, y solucione los problemas encontrados.

Antes de comenzar las comprobaciones previas a la operación, asegúrese de que el motor esté nivelado y que el interruptor del motor esté en la posición DESCONEXIÓN (OFF).

Compruebe siempre los elementos siguientes antes de poner en marcha el motor:

#### Comprobación del estado general del motor

1. Mire en torno al motor y debajo del mismo para ver si hay indicios de fugas de aceite o de gasolina.
2. Extraiga el polvo o la suciedad excesiva, especialmente en torno al silenciador y al arrancador de retroceso.
3. Extraiga todos los objetos o residuos que puedan atascar la entrada de aire de enfriamiento en el arrancador de retroceso/cubierta del ventilador. El motor puede dañarse si se pone en marcha con una entrada de aire atascada.
4. Busque si hay indicios de daños.
5. Compruebe que todos los protectores y cubiertas estén en su lugar, y que todas las tuercas, pernos, y tornillos estén apretados.

#### Comprobación del motor

1. Compruebe el nivel de combustible. Si comienza el trabajo con el depósito lleno, le ayudará a eliminar o reducir las interrupciones de la operación para repostar.
2. Compruebe el nivel del aceite de motor (vea la página 7). El motor puede dañarse si se utiliza con un nivel bajo de aceite.
3. Compruebe el elemento del filtro de aire (vea la página 9). Un elemento del filtro de aire sucio restringirá el flujo de aire al carburador, reduciendo el rendimiento del motor.

#### Compruebe el equipo que deba funcionar con este motor

Revise las instrucciones proporcionadas con el equipo que deba funcionar con este motor para ver si hay precauciones y procedimientos que deban seguirse antes de poner en marcha el motor.

# OPERACIÓN

## PRECAUCIONES DE SEGURIDAD DURANTE LA OPERACIÓN

Antes de poner en marcha el motor por primera vez, revise la sección *INFORMACIÓN DE SEGURIDAD* en la página 2 y *COMPROBACIONES PREVIAS A LA OPERACIÓN* en la página 3.

Por su propia seguridad, no opere el motor en lugares cerrados como por ejemplo dentro de un garaje. Los gases de escape del motor contienen monóxido de carbono que es un gas que se acumula con rapidez en lugares cerrados y que causa mal estar o incluso la muerte.

### ⚠ ADVERTENCIA

Los gases de escape contienen gas venenoso de monóxido de carbono que puede acumularse hasta niveles peligrosos en lugares cerrados. Si aspira monóxido de carbono correrá el peligro de pérdida del sentido o de muerte.

No ponga nunca en marcha el motor en un lugar cerrado, ni parcialmente cerrado en el que pueda haber gente.

Revise las instrucciones proporcionadas con el equipo que deba funcionar con este motor para ver si hay precauciones de seguridad que deban observarse para poner en marcha, parar, y operar el motor.

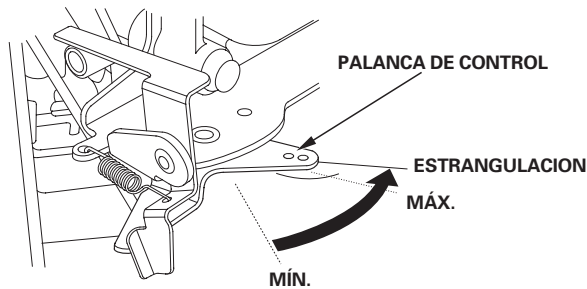
## ARRANQUE DEL MOTOR

1. Si el depósito de combustible está equipado con una válvula, asegúrese de que la válvula de combustible esté en la posición OPEN u ON antes de intentar poner en marcha el motor.

### 2. TIPO DE PALANCA SENCILLA:

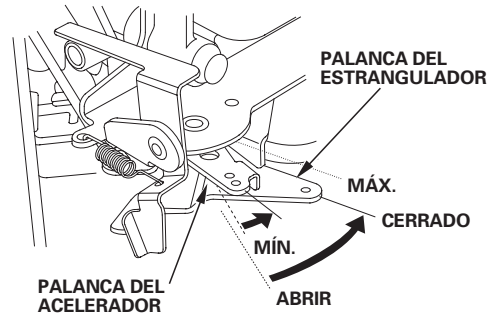
Para arrancar el motor cuando está frío, mueva la palanca de control a la posición ESTRANGULACION.

Para arrancar el motor cuando está caliente, deje la palanca de control en la posición MIN.



### TIPO DE PALANCA DOBLE:

Para poner en marcha un motor frío, mueva la palanca del estrangulador a la posición CLOSED y aleje la palanca del acelerador de la posición MIN., aproximadamente a 1/3 parte del recorrido hacia la posición MAX.



Algunas aplicaciones del motor emplean un control montado a distancia en lugar de la palanca montada en el motor aquí mostrada. Consulte las instrucciones suministradas por el fabricante del equipo.

3. Gire el interruptor del motor a la posición CONEXIÓN (ON).

4. Opere el arrancador.

### MOTOR DE ARRANQUE ELÉCTRICO:

Gire la llave a la posición START, y reténgala ahí durante hasta que se ponga en marcha el motor.

Si el motor no se pone en marcha antes de 5 segundos, suelte la llave, y espere 10 segundos por lo menos antes de volver a operar el motor de arranque.

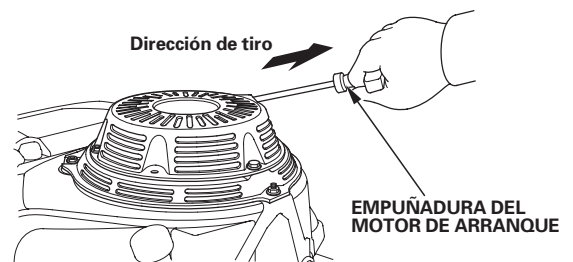
### AVISO

*Si se utiliza el motor de arranque eléctrico durante más de 5 segundos seguidos, el motor de arranque se sobrecalentará y puede averiarse.*

Cuando el motor se ponga en marcha, suelte la llave dejándola que retorne a la posición ON.

### ARRANCADOR DE RETROCESO (tipos aplicables):

Tire ligeramente de la empuñadura del arrancador hasta notar resistencia, y entonces tire con fuerza en la dirección de la flecha como se muestra abajo. Deje que la empuñadura del arrancador retorne con suavidad.

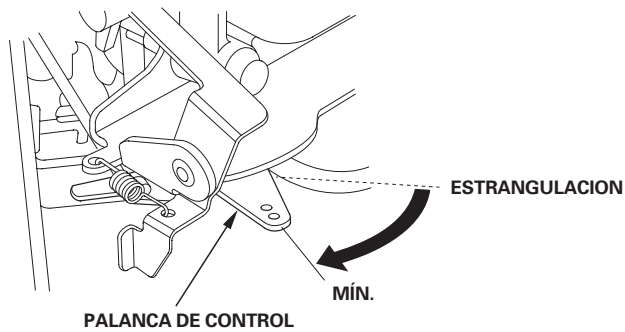


### AVISO

*No permita que la empuñadura del arrancador retroceda con fuerza contra el motor. Haga que retorne con suavidad para evitar daños en el arrancador.*

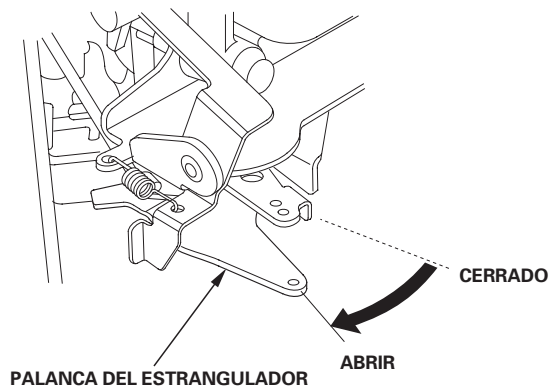
#### 5. TIPO DE PALANCA SENCILLA:

Si se ha movido la palanca de control a la posición CHOKE para arrancar el motor, muévala gradualmente a la posición MIN. a medida que se va calentando el motor.



#### TIPO DE PALANCA DOBLE:

Si se ha movido la palanca del estrangulador a la posición CLOSED para arrancar el motor, muévala gradualmente a la posición OPEN a medida que se va calentando el motor.



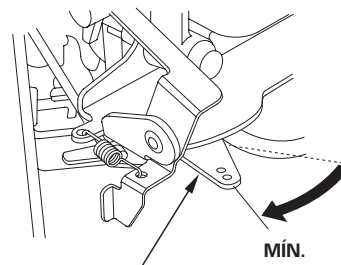
#### PARADA DEL MOTOR

Para parar el motor en un caso de emergencia, simplemente gire el interruptor del motor a la posición OFF. En situaciones normales, emplee el procedimiento siguiente. Consulte las instrucciones suministradas por el fabricante del equipo.

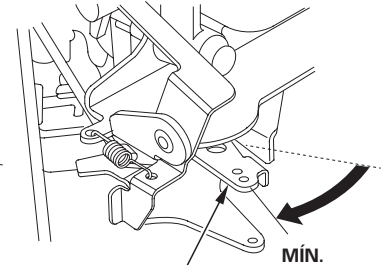
1. Mueva la palanca de control (tipo de palanca sencilla) o la palanca del acelerador (tipo de palanca doble) a la posición MIN.

Algunas aplicaciones del motor emplean un control del acelerador montado a distancia en lugar de la palanca del acelerador montada en el motor aquí mostrada.

#### TIPO DE PALANCA SENCILLA



#### TIPO DE PALANCA DOBLE



2. Gire el interruptor del motor a la posición DESCONEXIÓN (OFF).

3. Si el depósito de combustible está equipado con una válvula, gire la válvula de combustible a la posición CLOSED u OFF.

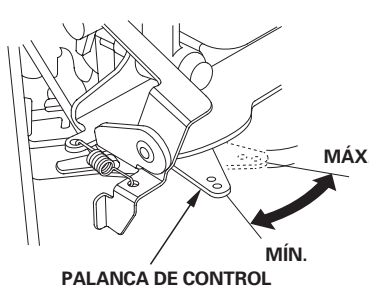
#### AJUSTE DE LA VELOCIDAD DEL MOTOR

Ajuste la palanca de control (tipo de palanca sencilla) o la palanca del acelerador (tipo de palanca doble) a la velocidad del motor deseada.

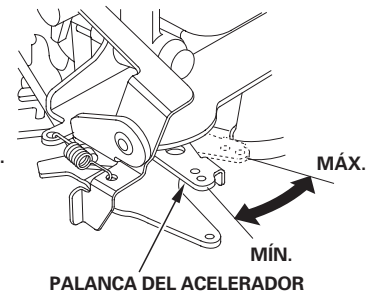
Algunas aplicaciones del motor emplean un control montado a distancia en lugar de la palanca montada en el motor aquí mostrada. Consulte las instrucciones suministradas por el fabricante del equipo.

Para ver las recomendaciones de la velocidad del motor, consulte el manual de instrucciones suministrado con el equipo que deba funcionar con este motor.

#### TIPO DE PALANCA SENCILLA



#### TIPO DE PALANCA DOBLE



No desconecte la batería del motor mientras el motor está en marcha. Si se desconecta la batería, el solenoide de corte de combustible corta el flujo de combustible al surtidor principal del motor, y se para el motor.

# SERVICIO DE SU MOTOR

## LA IMPORTANCIA DEL MANTENIMIENTO

El buen mantenimiento es esencial para conseguir una operación segura, económica, y exenta de problemas. Ayudará también a reducir la contaminación.

### ⚠ ADVERTENCIA

El mantenimiento inadecuado, o la falta de reparación de un problema antes de la operación, pueden ser causa de un mal funcionamiento en el que pueda correr el peligro de heridas graves o de muerte.

Siga siempre las recomendaciones de inspección y mantenimiento y los programas de este manual del propietario.

Para ayudarle a cuidar adecuadamente el motor, las páginas siguientes incluyen un programa de mantenimiento, procedimientos de inspección rutinarios, y simple procedimientos de mantenimiento empleando herramientas manuales básicas. Las otras tareas de servicio que son más difíciles, o que requieren herramientas especiales, es mejor que sean realizadas por profesionales y normalmente las lleva a cabo un mecánico de Honda u otro mecánico cualificado.

El programa de mantenimiento se aplica a las condiciones normales de operación. Si opera el motor en condiciones severas, tales como con una carga elevada continua o a altas temperaturas, o si lo utiliza en condiciones con mucha humedad o polvo, consulte a su concesionario de servicio Honda para que le proporcione las recomendaciones aplicables a sus necesidades y aplicaciones individuales.

**El mantenimiento, reemplazo o reparación de los dispositivos y sistemas de control de las emisiones de escape pueden efectuarse en cualquier establecimiento de reparaciones de motores o por cualquier individuo, empleando partes que estén "homologadas" según las normas EPA.**

## SEGURIDAD DEL MANTENIMIENTO

A continuación se mencionan algunas de las precauciones de seguridad más importantes. No obstante, no podemos avisarle sobre todos los peligros concebibles que pueden surgir al realizar el mantenimiento. Sólo usted será quien pueda decidir si debe o no llevar a cabo una tarea dada.

### ⚠ ADVERTENCIA

Si no sigue correctamente las instrucciones y precauciones para el mantenimiento, correrá el peligro de graves heridas o de muerte.

Siga siempre con cuidado los procedimientos y precauciones de este manual del propietario.

## PRECAUCIONES DE SEGURIDAD

- Asegúrese de que el motor esté desconectado antes de comenzar cualquier trabajo de mantenimiento o de reparación. Para evitar el arranque accidental, desconecte la tapa de la bujía. De este modo eliminará muchos peligros potenciales:
  - **Envenenamiento por monóxido de carbono de los gases de escape del motor.**  
Efectúe la operación al aire libre alejado de ventanas o puertas abiertas.
  - **Quemaduras en las partes calientes.**  
Espere a que se enfríen el motor y el sistema de escape antes de tocarlos.

### — Daños debidos a las partes en movimiento.

No ponga en marcha el motor a menos que se lo indiquen las instrucciones.

- Lea las instrucciones antes de empezar, y asegúrese de disponer de las herramientas y conocimientos necesarios.
- Para reducir la posibilidad de incendio o explosión, tenga cuidado cuando trabaje cerca de gasolina. Emplee sólo solventes ininflamables, y no emplee gasolina, para limpiar las partes. Mantenga apartados los cigarrillos, las chispas y el fuego de las partes relacionadas con el combustible.

Recuerde que su concesionario de servicio autorizado Honda es quien mejor conoce su motor y que está completamente equipado para su mantenimiento y reparación.

Para asegurar la mejor calidad y fiabilidad, emplee sólo partes nuevas originales Honda Genuine o sus equivalentes para las reparaciones y reemplazos.

## PROGRAMA DE MANTENIMIENTO

| PERÍODO DE SERVICIO REGULAR (3)<br>Efectúelo a cada intervalo indicado de meses o de horas de funcionamiento, lo que primero acontezca. | Cada utilización     | Primer mes o 20 horas                        | Cada 3 meses o 50 horas | Cada 6 meses o 100 horas | Cada año o 200 horas | Consulte la página |
|---|----------------------|--|-------------------------|--------------------------|----------------------|--------------------|
| <b>ELEMENTO</b>   |                      |  |                         |                          |                      |                    |
| Aceite de motor   | Comprobar el nivel   | ○  |                         |                          |                      | 7                  |
|   | Cambiar              |  | ○                       | ○                        |                      | 8                  |
| Filtro de aceite (tipos aplicables)   | Reemplazar           |  |                         | ○                        |                      | 8                  |
| Filtro de aire  | Comprobar            | ○  |                         |                          |                      | 9                  |
|   | Limpiar              |  | ○ (1)                   |                          |                      | 9                  |
|   | Reemplazar           |  |                         |                          | ○ *                  |                    |
| Bujías  | Comprobar-ajustar    |  |                         | ○                        |                      | 10                 |
|   | Reemplazar           |  |                         |                          | ○                    |                    |
| Parachispas (tipos aplicables)  | Limpiar              |  |                         | ○ (5)                    |                      | 11                 |
| Sistema de enfriamiento   | Limpiar              |  |                         |                          | ○                    | 10                 |
| Velocidad de ralentí  | Comprobar-ajustar    |  |                         |                          | ○ (2)                | Manual de taller   |
| Holgura de válvulas   | Comprobar-ajustar    |  |                         |                          | ○ (2)                | Manual de taller   |
| Correa de distribución  | Comprobar            | Después de cada 300 horas (2) (4)            |                         |                          |                      | Manual de taller   |
| Cámara de combustión  | Limpiar              | Después de cada 1000 horas (2)               |                         |                          |                      | Manual de taller   |
| Filtro de combustible   | Comprobar-reemplazar |  |                         |                          | ○ (2)                | Manual de taller   |
| Tubo de combustible   | Comprobar            | Cada 2 años (Reemplazar si es necesario) (2) |                         |                          |                      | Manual de taller   |

\* Reemplace sólo el tipo de elemento de papel.

- (1) Efectúe el servicio con más frecuencia cuando lo utilice en zonas polvorientas.
- (2) El servicio de estos elementos deberá realizarlo su concesionario de servicio, a menos que usted disponga de las herramientas adecuadas y posea suficientes conocimientos mecánicos. Para ver los procedimientos de servicio, consulte el manual de taller Honda.
- (3) Para aplicaciones comerciales, registre las horas de funcionamiento para determinar los intervalos apropiados para el mantenimiento.
- (4) Compruebe que no haya grietas ni desgaste anormal en la correa, y reemplácela si está anormal.
- (5) En Europa y en los otros países en los cuales se aplica la Directiva "máquinas" 2006/42/CE, esta limpieza deberá realizarla su concesionario de servicio.

Si no sigue este programa de mantenimiento pueden producirse fallas que no entran en la garantía.

## PARA REPOSTAR

### Combustible recomendado

| Gasolina sin plomo |  |
|--------------------|--|
| EE.UU.             | Valor de octanos de bomba de 86 o más alto         |
| Excepto EE.UU.     | Valor de octanos de investigación de 91 o más alto |
|                    | Valor de octanos de bomba de 86 o más alto         |

Este motor está homologado para funcionar con gasolina sin plomo con un valor de octanos de bomba de 86 o más alto (un valor de octanos de investigación de 91 o más alto).

Llene el depósito en un lugar bien ventilado con el motor parado. Si el motor ha estado funcionando, espere primero a que se enfríe. No reposte nunca el motor dentro de un edificio donde los gases de la gasolina pudieran llegar a fuegos o chispas.

Podrá emplear gasolina sin plomo con un contenido máximo del 10% de etanol (E10) o del 5% de metanol por volumen. Adicionalmente, el metanol debe contener cosolventes e inhibidores contra la corrosión. El empleo de combustible con un contenido de etanol o de metanol mayor que el indicado arriba puede ocasionar problemas en el arranque y/o en el funcionamiento. También puede causar daños en las partes metálicas, de goma, y de plástico del sistema de combustible. Los daños del motor o los problemas de funcionamiento debidos al empleo de un combustible con porcentajes de etanol o metanol mayores que los indicados arriba no están cubiertos por la Garantía.

Si su equipo se utiliza con poca frecuencia o de forma intermitente, consulte la sección sobre el combustible del capítulo ALMACENAJE DEL MOTOR (vea la página 11) para encontrar más información sobre el deterioro del combustible.

No emplee nunca gasolina pasada o sucia ni mezcla de aceite/gasolina. Evite la entrada de suciedad o agua en el depósito de combustible.

### ⚠ ADVERTENCIA

La gasolina es muy inflamable y explosiva, y correrá el peligro de quemaduras o de heridas graves al repostar.

- Pare el motor y mantenga apartados el calor, las chispas, y el fuego.
- Reposte sólo al aire libre.
- Frote inmediatamente el líquido derramado.

### AVISO

El combustible puede dañar la pintura y ciertos tipos de plástico. Tenga cuidado para que no se derrame combustible mientras llena el depósito de combustible. Lo daños causados por el combustible derramado no están cubiertos por la garantía limitada del distribuidor.

Reposte con cuidado para que no se derrame combustible. Después de repostar, apriete la tapa del depósito de combustible con seguridad.

Mantenga la gasolina apartada de las luces piloto de los aparatos, barbacoas, aparatos eléctricos, herramientas eléctricas, etc.

El combustible derramado no sólo le hará correr el peligro de incendio, sino que además causa daños en el medio ambiente. Frote inmediatamente el líquido derramado.

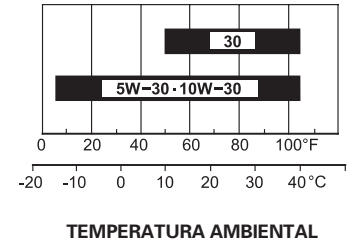
## ACEITE DE MOTOR

El aceite es un factor muy importante que afecta el rendimiento y la vida de servicio.

Emplee aceite detergente para automóviles de 4 tiempos.

### Aceite recomendado

Emplee aceite de motor de 4 tiempos que satisfaga o exceda los requisitos para la categoría de servicio API de SJ o posterior (o equivalente). Compruebe siempre la etiqueta de servicio API del recipiente de aceite para asegurarse que incluye las letras SJ o posterior (o equivalente).

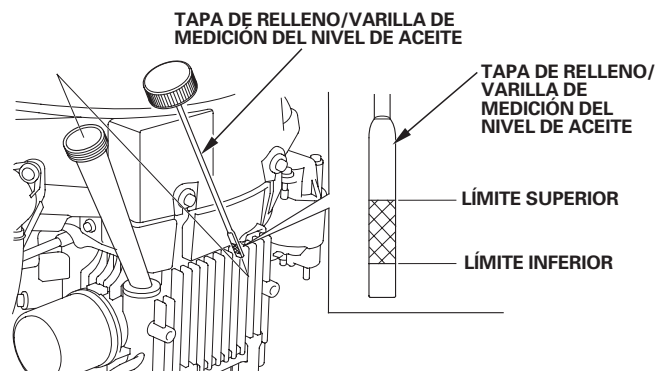


Se recomienda el SAE 10W-30 para aplicaciones generales. Las otras viscosidades mostradas en la gráfica pueden utilizarse cuando la temperatura media de su zona está dentro del margen indicado.

### Comprobación del nivel de aceite

Compruebe el nivel del aceite de motor con el motor parado y en una posición nivelada.

1. Extraiga la tapa de relleno/varilla de medición del nivel de aceite y frotela para limpiarla.
2. Inserte la tapa de relleno/varilla de medición del nivel de aceite en el cuello de relleno, pero no la enrosque, y luego extráigala para comprobar el nivel de aceite.
3. Si el nivel de aceite está cerca o por debajo de la marca del límite inferior de la varilla de medición del nivel, llene aceite del recomendado hasta la marca del límite superior. No llene excesivamente.
4. Vuelva a instalar la tapa de relleno/varilla de medición del nivel de aceite.



### AVISO

El motor puede dañarse si se utiliza con un nivel bajo de aceite. Este tipo de daños no está cubierto por la garantía limitada del distribuidor.

## Cambio del aceite

Drene el aceite usado cuando el motor esté caliente. El aceite caliente se drena con más rapidez y por completo.

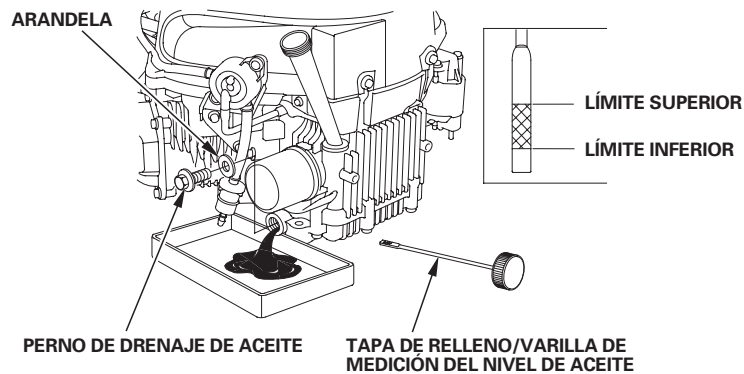
1. Ponga un recipiente adecuado debajo del motor para recibir el aceite usado, y extraiga entonces la tapa de relleno/varilla de medición del nivel de aceite, el perno de drenaje y la arandela.
2. Deje que el aceite usado se drene por completo, y vuelva a instalar entonces el perno de drenaje y una arandela nueva, y apriete con seguridad el perno de drenaje.

Tire el aceite de motor usado de manera que sea compatible con el medio ambiente. Le aconsejamos que lleve el aceite usado en un recipiente cerrado al centro de reciclaje de su localidad o a una gasolinera para que se encarguen de su eliminación. No lo tire a la basura, no lo derrame a la tierra, ni lo tire tampoco por una cloaca.

3. Teniendo el motor en una posición nivelada, rellene aceite del recomendado hasta la marca del límite superior de la varilla de medición del nivel (vea la página 7).

### AVISO

El motor puede dañarse si se utiliza con un nivel bajo de aceite. Este tipo de daños no está cubierto por la garantía limitada del distribuidor.



4. Instale con seguridad la tapa de relleno/varilla de medición del nivel de aceite.

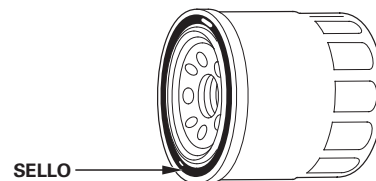
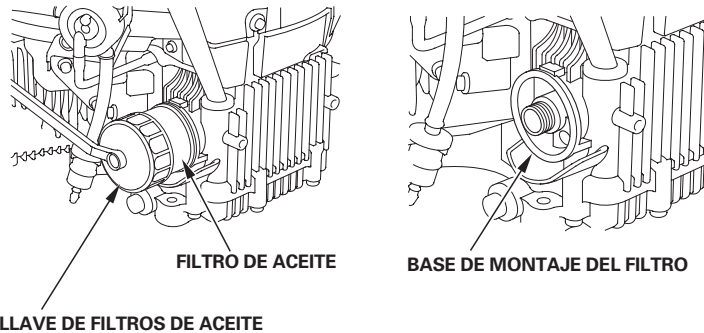
## FILTRO DE ACEITE (tipos aplicables)

### Cambio del filtro de aceite

1. Drene el aceite de motor, y vuelva a apretar con seguridad el perno de drenaje.
2. Extraiga el filtro de aceite con una llave para filtros de aceite, y drene el aceite que quede en un recipiente adecuado. Elimine el aceite usado y el filtro de una forma que sea compatible con el medio ambiente.

### AVISO

Emplee una llave para filtros de aceite, en lugar de una llave de cinta, para evitar golpes y daños en el filtro de aceite.



3. Limpie la base de montaje del filtro, y revista el sello del nuevo filtro de aceite con aceite de motor limpio.

### AVISO

Emplee sólo un filtro de aceite original Honda Genuine o un filtro de la misma calidad especificado para su modelo. El empleo de un filtro erróneo, o de un filtro que no sea Honda cuya calidad no sea equivalente, puede causar daños en el motor.

4. Enrosque a mano el nuevo filtro de aceite hasta que el sello se ponga en contacto con la base de montaje del filtro, y emplee entonces una llave para filtros de aceite para apretar el filtro adicionalmente 7/8 de vuelta.

Torsión de apriete del filtro de aceite: 12 N·m (1,2 kgf·m)

5. Llene la cantidad especificada del aceite recomendado en el cárter (vea la página 7). Vuelva a instalar la tapa de relleno/varilla de medición del nivel de aceite.
6. Arranque el motor y compruebe si hay fugas.
7. Pare el motor y compruebe el nivel de aceite como se describe en la página 7. Si es necesario, añada aceite hasta que el nivel de aceite llegue a la marca del límite superior de la varilla de medición del nivel.



## FILTRO DE AIRE

Un filtro de aire sucio restringirá el flujo de aire al carburador, reduciendo el rendimiento del motor. Si utiliza el motor en lugares muy polvorientos, limpie el filtro de aire con mayor frecuencia que la que se especifica en el PROGRAMA DE MANTENIMIENTO.

### AVISO

*Si se pone en funcionamiento el motor sin el filtro de aire, o con un filtro de aire dañado, la suciedad se introducirá en el motor, ocasionando su rápido desgaste. Este tipo de daños no está cubierto por la garantía limitada del distribuidor.*

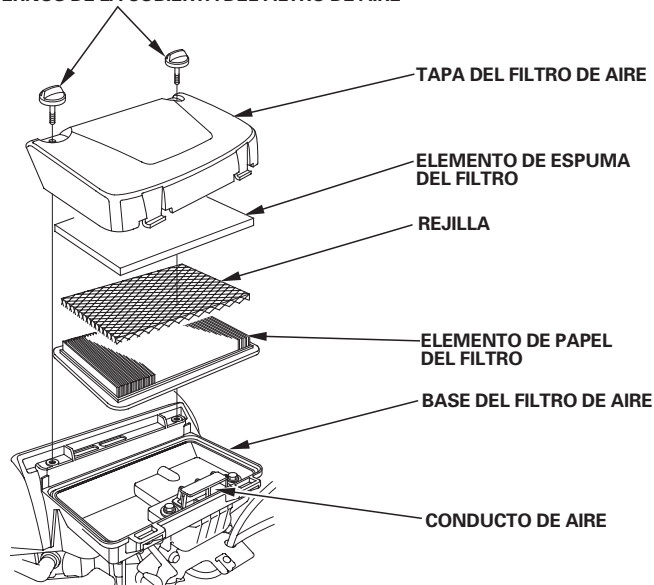
### Inspección

Extraiga la cubierta del filtro de aire e inspeccione los elementos del filtro. Limpie o reemplace los elementos sucios del filtro. Reemplace siempre los elementos del filtro si están dañados.

### Limpieza

1. Extraiga de la cubierta del filtro de aire los dos pernos de la cubierta del filtro de aire, y extraiga luego la cubierta.
2. Extraiga el elemento de espuma del filtro.
3. Extraiga de la rejilla el elemento de papel del filtro.

#### PERNOS DE LA CUBIERTA DEL FILTRO DE AIRE



4. Inspeccione los dos elementos del filtro de aire, y reemplácelos si están dañados. Reemplace siempre el elemento de papel del filtro de aire a los intervalos programados (vea la página 6).

5. Limpie los elementos del filtro de aire si debe volver a utilizarlos.

Elemento de papel del filtro de aire: Golpee varias veces el elemento del filtro contra una superficie dura para sacar la suciedad, o sople aire comprimido [sin exceder 207 kPa, (2,1 kgf/cm<sup>2</sup>)] por el elemento del filtro desde el interior. No trate nunca de cepillar la suciedad; el cepillo forzaría la suciedad al interior de las fibras.

Elemento de espuma del filtro de aire: Límpielo en agua tibia con jabón, aclárelo y espere a que se seque por completo. También podrá limpiarlo en solvente ininflamable y dejarlo secar. Sumerja el elemento del filtro en aceite de motor limpio, y luego exprima todo el aceite excesivo. Si se deja demasiado aceite en la espuma, el motor producirá humo cuando se arranque.

### AVISO

*El aceite excesivo restringe el flujo de aire por el elemento de espuma del filtro y puede transferirse al elemento de papel del filtro, humedeciéndolo y obstruyéndolo.*

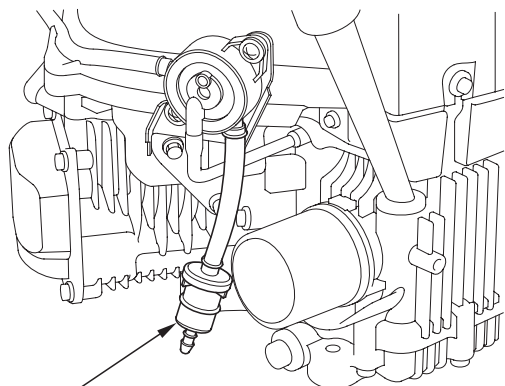
6. Frote la suciedad desde el interior de la base del filtro de aire y la cubierta, empleando un paño humedecido. Tenga cuidado para evitar que la suciedad se introduzca en el conducto de aire que va al carburador.
7. Ponga el elemento de espuma del filtro en la cubierta del filtro de aire.
8. Instale la rejilla sobre el elemento de papel del filtro e instale entonces el conjunto en la base del filtro de aire. La rejilla debe colocarse entre el elemento de espuma y el elemento de papel para evitar que el aceite pueda transferirse al elemento de papel.
9. Instale la cubierta y apriete con seguridad los dos pernos de la cubierta del filtro de aire.

## FILTRO DE COMBUSTIBLE

### Inspección

Compruebe si hay agua acumulada o sedimentos en el filtro de combustible.

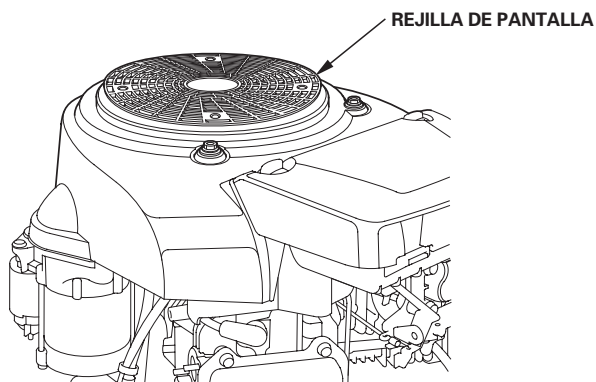
Si se encuentran acumulaciones excesivas de agua o sedimentos en el filtro de combustible, lleve el motor a un concesionario de servicio Honda autorizado.



FILTRO DE COMBUSTIBLE

## SISTEMA DE ENFRIAMIENTO

Compruebe si la rejilla de pantalla está obstruida y extraiga la obstrucción si es necesario.



REJILLA DE PANTALLA

## BUJÍA

**Bujías recomendadas:** BPR5ES (NGK)  
W16EPR-U (DENSO)

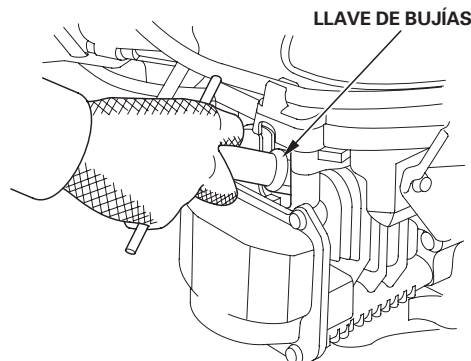
Las bujías recomendadas tienen el margen térmico correcto para las temperaturas normales de operación del motor.

### AVISO

*Las bujías incorrectas pueden causar daños en el motor.*

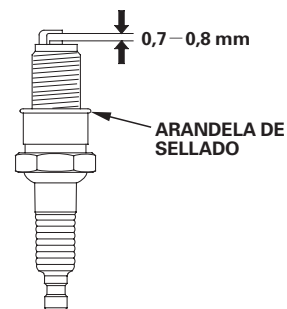
Para obtener un buen rendimiento, el huelgo de los electrodos de las bujías deberá ser correcto y no deberá haber carbonilla acumulada.

1. Desconecte las tapas de las bujías, y saque la suciedad que pudiera haber en torno al área de las bujías.
2. Extraiga las bujías con una llave para bujías de 13/16 pulgadas.



3. Inspeccione las bujías. Reemplácelas si están dañadas, muy sucias, si la arandela de sellado está en mal estado, o si el electrodo está gastado.

4. Mida el huelgo del electrodo de las bujías con un calibre de espesores del tipo de alambre. Corrija el huelgo, si es necesario, doblando con cuidado el electrodo lateral. El huelgo deberá ser:  
0,7 – 0,8 mm



5. Instale con cuidado la bujía, con la mano, para evitar que se dañen las roscas.
6. Después de haberse asentado la bujía, apriétela con una llave de bujías de 13/16 pulgadas para comprimir la arandela de sellado.

Cuando instale una bujía nueva, apriétela 1/2 de vuelta después de haberse asentado la bujía para comprimir la arandela.

Cuando vuelva a instalar la bujía original, apriétela 1/8 – 1/4 de vuelta después de haberse asentado la bujía para comprimir la arandela.

### AVISO

*Una bujía floja puede causar sobrecalentamiento y daños en el motor. El apriete excesivo de la bujía puede dañar las roscas de la culata de cilindros.*

7. Instale las tapas de las bujías en las bujías.

## PARACHISPAS (tipos aplicables)

En Europa y en los otros países en los cuales se aplica la Directiva "máquinas" 2006/42/CE, esta limpieza deberá realizarla su concesionario de servicio.

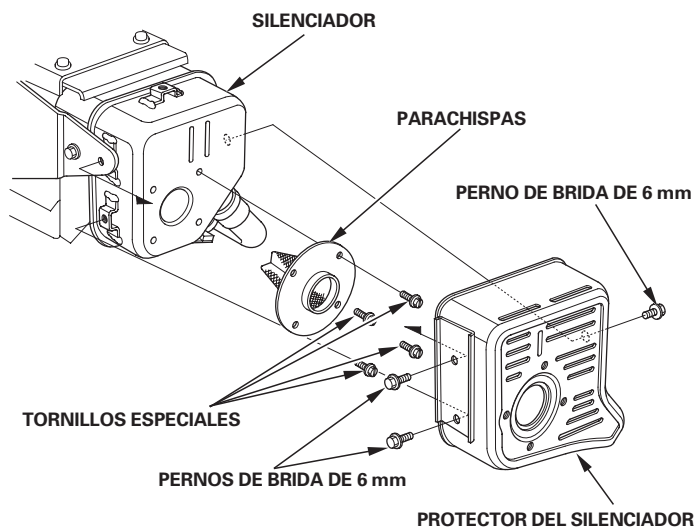
Su motor no se ha equipado en fábrica con un parachispas. El parachispas es una parte opcional. En algunas áreas, es ilegal operar un motor sin un parachispas. Verifique las leyes y regulaciones locales. Los concesionarios de servicio autorizados Honda tienen disponibles parachispas.

El servicio del parachispas debe realizarse cada 100 horas para que pueda seguir funcionando como ha sido diseñado.

Si el motor había estado en marcha, el silenciador estará caliente. Deje que se enfríe antes de realizar el servicio del parachispas.

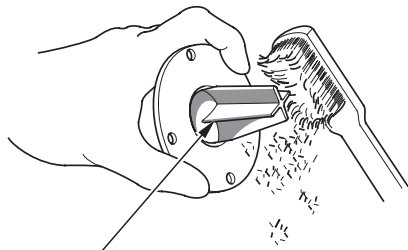
### Limpieza del parachispas

1. Extraiga los tres pernos de brida de 6 mm del protector del silenciador, y extraiga el protector del silenciador.
2. Extraiga los cuatro tornillos especiales del parachispas y extraiga el parachispas del silenciador.



3. Emplee un cepillo para sacar la carbonilla acumulada en la rejilla del parachispas. Tenga cuidado para no dañar la rejilla.

El parachispas deberá estar exento de roturas y agujeros. Reemplace el parachispas si está dañado.



PANTALLA PARACHISPAS

4. Instale el parachispas y el protector del silenciador en el orden inverso al del desmontaje.

## SUGERENCIAS Y OBSERVACIONES DE UTILIDAD

### ALMACENAJE DEL MOTOR

#### Preparativos para el almacenaje

Los preparativos adecuados para el almacenaje son esenciales para mantener el motor exento de problemas y con buena apariencia exterior. Los pasos siguientes ayudarán a evitar que la oxidación y la corrosión afecten el funcionamiento y el aspecto exterior del motor, y facilitarán el arranque del motor cuando lo vuelva a utilizar.

#### Limpieza

Si el motor ha estado en marcha, espere a que se enfríe por lo menos media hora antes de efectuar la limpieza. Limpie todas las superficies exteriores, retoque cualquier parte dañada con pintura, y revista las otras partes que puedan oxidarse con una capa fina de aceite.

#### AVISO

*Si se emplea una manguera de jardín o un equipo de lavado a presión, el agua puede forzarse al interior del filtro de aire o a la abertura del silenciador. Al agua dentro del filtro de aire mojará el filtro de aire, y el agua que pasa por el filtro de aire o el silenciador puede introducirse en el cilindro, y ocasionar daños.*

#### Combustible

#### AVISO

*Dependiendo de la zona donde se proponga utilizar el equipo, las fórmulas del combustible pueden deteriorarse y oxidarse con rapidez. El deterioro y la oxidación del combustible pueden producirse en tan sólo 30 días y pueden causar daños en el carburador y/o en el sistema de combustible. Consulte las recomendaciones sobre el almacenaje local solicitando asistencia a su concesionario de servicio.*

La gasolina se oxida y deteriora durante el almacenaje. La gasolina deteriorada dificulta el arranque, y deja acumulaciones de suciedad que obstruyen el sistema de combustible. Si se deteriora la gasolina del motor durante el almacenaje, es posible que tenga que solicitar el servicio o el reemplazo del carburador y de otros componentes del sistema de combustible.

El tiempo que puede dejarse la gasolina en el depósito de combustible y en el carburador sin que cause problemas funcionales variará de acuerdo con factores tales como la mezcla de la gasolina, la temperatura de almacenaje, y de si el depósito está parcialmente o completamente lleno. El aire de un depósito de combustible parcialmente lleno acelera el deterioro. Las temperaturas de almacenaje muy altas acelerarán también el deterioro del combustible. Los problemas de deterioro del combustible suelen ocurrir después de pocos meses, o incluso menos si la gasolina no era nueva cuando se llenó el depósito de combustible.

Los daños del sistema de combustible o los problemas de rendimiento del motor debidos a unos preparativos inadecuados para el almacenaje no están cubiertos por la *garantía limitada del distribuidor*.

Podrá extender la vida de servicio durante el almacenaje del combustible añadiendo un estabilizador de gasolina que esté formulado para este propósito, o podrá evitar los problemas del deterioro del combustible drenando el depósito de combustible y el carburador.

#### Adición de un estabilizador de gasolina para extender la duración de almacenaje del combustible

Cuando añada un estabilizador de gasolina, llene el depósito de combustible con gasolina nueva. Si sólo lo llena parcialmente, el aire que quede en el depósito acelerará el deterioro durante el almacenaje. Si conserva un recipiente de gasolina para repostar, asegúrese de que sólo contenga gasolina nueva.

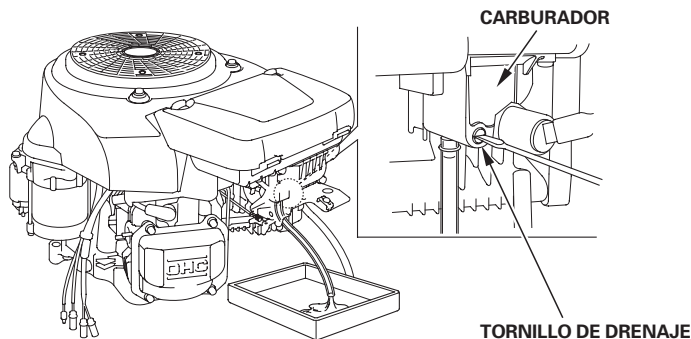
1. Añada el estabilizador de gasolina siguiendo las instrucciones del fabricante.
2. Después de añadir un estabilizador de gasolina, deje en marcha el motor al aire libre durante 10 minutos para asegurarse de que la gasolina tratada ha reemplazado a la gasolina que no está tratada en el carburador.
3. Pare el motor, y si el depósito de combustible está equipado con una válvula de combustible, mueva la válvula de combustible a la posición CLOSED u OFF.

### ⚠ ADVERTENCIA

La gasolina es muy inflamable y explosiva, y correrá el peligro de quemaduras o de heridas graves al manipular el combustible.

- Pare el motor y mantenga apartados el calor, las chispas, y el fuego.
- Manipule el combustible sólo en exteriores.
- Frote inmediatamente el líquido derramado.

1. Desconecte la línea de combustible que va al motor, y drene el depósito de combustible en un recipiente homologado para gasolina. Si el depósito de combustible está equipado con una válvula, gire la válvula de combustible a la posición OPEN u ON para poder efectuar el drenaje. Después de haber completado el drenaje, vuelva a conectar la línea de combustible.
2. Afloje el tornillo de drenaje de carburador, y drene el carburador en un recipiente homologado para gasolina.



3. Después de haber drenado todo el combustible al recipiente, apriete con seguridad el tornillo de drenaje.

### Aceite de motor

1. Cambie el aceite de motor (vea la página 8 ).
2. Extraiga las bujías (vea la página 10).
3. Introduzca una cucharita de 5—10 cm<sup>3</sup> de aceite de motor limpio en cada cilindro.
4. Vire el motor durante algunos segundos girando el interruptor del motor a la posición START para distribuir el aceite por los cilindros.
5. Vuelva a instalar las bujías.

### Precauciones para el almacenaje

Si el motor debe almacenarse con gasolina en el depósito de combustible y en el carburador, es importante reducir el peligro de que se enciendan los gases de la gasolina. Seleccione un lugar de almacenaje bien ventilado apartado de todos los aparatos que funcionen con fuego, como puedan ser los hornos, calentadores de agua, o secadoras para la ropa. Evite también los lugares con motores eléctricos que produzcan chispas, o donde se utilicen herramientas eléctricas.

Si es posible, evite los lugares de almacenaje con mucha humedad, porque aceleran la oxidación y la corrosión.

Mantenga el motor nivelado durante el almacenaje. La inclinación podría ocasionar fugas de combustible o de aceite.

Cuando el motor y el sistema de escape estén fríos, cubra el motor para protegerlo contra el polvo. Si el motor y el sistema de escape están calientes pueden hacer que se enciendan o derritan algunos materiales. No emplee un trozo de plástico como cubierta contra el polvo. Una cubierta que no sea porosa no dejará escapar la humedad en torno al motor, acelerando la oxidación y la corrosión.

Extraiga la batería y guárdela en un lugar fresco y seco. Recargue la batería una vez al mes mientras el motor esté en almacenaje. De este modo ayudará a prolongar la vida de servicio de la batería.

### Salida del almacenaje

Compruebe el motor como se describe en la sección de *COMPROBACIONES PREVIAS A LA OPERACIÓN* de este manual (vea la página 3).

Si se había drenado el combustible durante los preparativos para el almacenaje, llene el depósito con gasolina nueva. Si conserva un recipiente de gasolina para repostar, asegúrese de que sólo contenga gasolina nueva. La gasolina se oxida y deteriora con el tiempo, dificultando el arranque.

Si se habían revestido los cilindros con aceite durante los preparativos para el almacenaje, es posible que el motor produzca un poco de humo al principio. Esto es normal.

### TRANSPORTE

Si el motor ha estado en marcha, espere como mínimo 15 minutos a que se enfríe antes de cargar el equipo motorizado en el vehículo de transporte. Si el motor y el sistema de escape están calientes pueden causarle quemaduras y hacer que se enciendan algunos materiales.

Mantenga nivelado el motor cuando lo transporte para reducir la posibilidad de que se produzcan fugas de combustible. Si el depósito de combustible está equipado con una válvula de combustible, mueva la válvula de combustible a la posición CLOSED u OFF.

## CUIDADOS PARA PROBLEMAS INESPERADOS

| NO ARRANCA EL MOTOR  | Causa posible  | Corrección   |
|--|--|--|
| 1. Compruebe la batería y el fusible.  | Batería descargada.  | Recargue la batería.   |
|  | Fusible quemado.   | Reemplace el fusible   |
| 2. Compruebe las posiciones de los controles.  | Válvula del combustible en OFF. (Si está equipado)   | Mueva la palanca a la posición ON u OPEN.  |
|  | Estrangulador ABRIR.   | Mueva la palanca a la posición CHOKE (CLOSED) a menos que el motor esté caliente.                                |
|  | Interruptor del motor en OFF.  | Gire el interruptor del motor a la posición ON.  |
| 3. Compruebe el combustible.   | No hay combustible.  | Reposte (p. 7).  |
|  | Combustible inadecuado; motor guardado sin tratar o drenar la gasolina, o llenado con gasolina inadecuada.                         | Drene el depósito de combustible y el carburador (p. 12). Reposte con gasolina nueva (p. 7).                     |
| 4. Extraiga e inspeccione las bujías.  | Bujía(s) defectuosa(s), sucia(s), o con un huelgo incorrecto.  | Ajuste el huelgo o reemplace la(s) bujía(s) (p. 10).   |
|  | Bujía(s) mojada(s) de combustible (motor anegado).   | Seque y vuelva a instalar las bujías. Ponga en marcha el motor con la palanca del acelerador en la posición MAX. |
| 5. Lleve el motor a un concesionario de servicio autorizado Honda, o consulte el manual de taller. | Filtro de combustible restringido, mal funcionamiento del carburador, mal funcionamiento del encendido, válvulas agarrotadas, etc. | Reemplace o repare los componentes defectuosos como sea necesario.   |

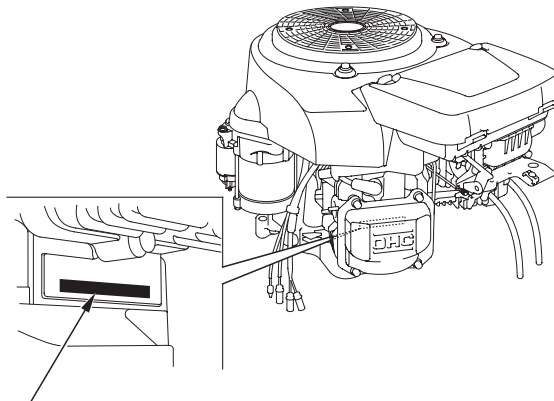
| LE FALTA POTENCIA AL MOTOR   | Causa posible  | Corrección   |
|--|--|--|
| 1. Compruebe el filtro de aire.  | Elemento(s) del filtro restringido(s).   | Limpie o reemplace el (los) elemento(s) del filtro (p. 9).                                   |
| 2. Compruebe el combustible.   | Combustible inadecuado; motor guardado sin tratar o drenar la gasolina, o llenado con gasolina inadecuada.                         | Drene el depósito de combustible y el carburador (p. 12). Reposte con gasolina nueva (p. 7). |
| 3. Lleve el motor a un concesionario de servicio autorizado Honda, o consulte el manual de taller. | Filtro de combustible restringido, mal funcionamiento del carburador, mal funcionamiento del encendido, válvulas agarrotadas, etc. | Reemplace o repare los componentes defectuosos como sea necesario.                           |

## INFORMACIÓN TÉCNICA Y DEL CONSUMIDOR

### INFORMACIÓN TÉCNICA

#### Situación del número de serie

Anote el número de serie del motor, el tipo y la fecha de adquisición en los espacios siguientes. Necesitará esta información cuando realice pedidos de partes y consultas técnicas o sobre la garantía.



SITUACIÓN DEL NÚMERO DE SERIE Y DEL TIPO DE MOTOR

Número de serie del motor: \_\_\_\_\_

Tipo de motor: \_\_\_\_\_

Fecha de adquisición: \_\_\_\_/\_\_\_\_/\_\_\_\_

## Conexiones de la batería para el motor de arranque eléctrico

### Batería recomendada

|        |              |
|--------|--------------|
| GCV520 | 12 V – 30 Ah |
| GXV520 |              |
| GCV530 | 12 V – 30 Ah |
| GXV530 |              |

Tenga cuidado para no conectar la batería con las polaridades invertidas, porque cortocircuitaría el sistema de carga de la batería. Conecte siempre el cable positivo (+) de la batería al terminal de la batería antes de conectar el cable negativo (-) de la batería, para que sus herramientas no puedan causar un cortocircuito si tocan una parte puesta a tierra mientras se aprieta el extremo del cable positivo (+) de la batería.

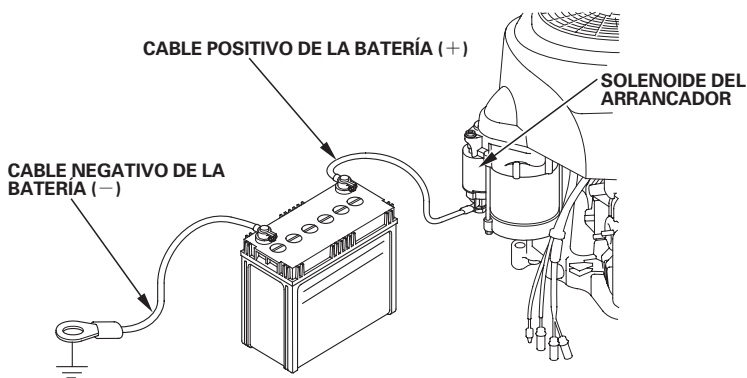
### ⚠ ADVERTENCIA

Una batería puede explotar si no se sigue el procedimiento correcto, pudiendo ocasionar heridas a las personas que estén cerca.

Mantenga las chispas, el fuego, y el tabaco apartados de la batería.

**ADVERTENCIA:** Los bornes, terminales, y accesorios relacionados con la batería contienen plomo y compuestos de plomo. **Lávese las manos después de la manipulación.**

1. Conecte el cable positivo (+) de la batería al terminal del solenoide del arrancador como se muestra.
2. Conecte el cable negativo (-) de la batería a un perno de montaje del motor, perno del bastidor, o a otro lugar de conexión de tierra apropiado del motor.
3. Conecte el cable positivo (+) de la batería al terminal positivo (+) de la batería como se muestra.
4. Conecte el cable negativo (-) de la batería al terminal negativo (-) de la batería como se muestra.
5. Revista los terminales y los extremos de los cables con grasa.



## Enlace de control remoto

Las palancas de control del acelerador y del estrangulador están provistas de orificios para la instalación del cable opcional.

Las ilustraciones siguientes muestran ejemplos de instalación para un cable sólido. No emplee un cable trenzado.

### Tipo de palanca sencilla:

#### RESORTE DE RETORNO DEL ESTRANGULADOR

**INSTALACIÓN:**  
Instálelo con el gancho del extremo corto hacia el lado de la base de control.

#### ACELERADOR/CABLE DEL ESTRANGULADOR (CABLE SÓLIDO)

TORNILLO DE 5 × 16 mm

PORTACABLE

#### GOMA DEL TOPE

**INSTALACIÓN:**  
Para instalar la goma de tope, alinee primero el buje con el orificio de la ménsula de la palanca de control, y gire entonces 90° la goma y fijela en la ménsula como se muestra.

PALANCA DE CONTROL

RESORTE DE LA PALANCA

### Tipo de palanca doble:

#### RESORTE DE RETORNO DEL ESTRANGULADOR

**INSTALACIÓN:**  
Instálelo con el gancho del extremo corto hacia el lado de la base de control.

#### CABLE DEL ACELERADOR (CABLE SÓLIDO)

TORNILLO DE 5 × 16 mm (2)

SOPORTE DEL CABLE (2)

CABLE DEL ESTRANGULADOR (CABLE SÓLIDO)

PALANCA DEL ESTRANGULADOR

PALANCA DEL ACELERADOR

## Modificaciones del carburador para funcionar a gran altitud

A grandes altitudes, la mezcla normal de aire-combustible del carburador será demasiado rica. Se reducirá el rendimiento y aumentará el consumo de combustible. Si la mezcla es demasiado rica, ensuciará también la bujía y puede dificultar el arranque. El funcionamiento a una altitud distinta de la certificada para este motor, durante períodos prolongados de tiempo, puede ocasionar un incremento en las emisiones de escape.

El rendimiento a grandes altitudes podrá mejorar mediante modificaciones específicas en el carburador. Si siempre opera el motor a altitudes de más de 1.500 metros, solicite a su concesionario de servicio que efectúe esta modificación del carburador. Este motor conformará cada una de las normas sobre las emisiones de escape durante toda su vida de servicio cuando se opere a gran altitud con las modificaciones del carburador para funcionar a grandes altitudes.

Incluso con la modificación del carburador, la potencia del motor se reducirá aproximadamente el 3,5 % por cada 300 m de incremento de la altitud. El efecto de la altitud en la potencia será mayor si no se han efectuado las modificaciones en el carburador.

### AVISO

*Cuando se haya modificado el carburador para funcionar a gran altitud, la mezcla de aire-combustible será demasiado pobre para funcionar a bajas altitudes. El funcionamiento a altitudes de menos de 1.500 metros con el carburador modificado puede causar sobrecalentamiento del motor y ocasionar serios daños en el motor. Para el funcionamiento a bajas altitudes, solicite a su concesionario de servicio que reajuste el carburador a las especificaciones originales de fábrica.*

## Información del sistema de control de las emisiones de escape

### Origen de las emisiones de escape

El proceso de combustión produce monóxido de carbono, óxidos de nitrógeno, e hidrocarburos. El control de los hidrocarburos y de los óxidos de nitrógeno es muy importante porque, bajo ciertas condiciones, reaccionan para formar humo fotoquímico cuando se exponen a la luz solar. El monóxido de carbono no reacciona del mismo modo, pero es tóxico.

Honda emplea las relaciones apropiadas de aire-combustible y otros sistemas de control de las emisiones para reducir las emisiones de monóxido de carbono, de óxidos de nitrógeno, y de hidrocarburos. Adicionalmente, los sistemas de combustible Honda emplean componentes y tecnologías de control para reducir las emisiones evaporativas.

### Acta sobre el aire limpio de California, EE.UU., y sobre el medio ambiente de Canadá

Las regulaciones de EPA, de California, y Canadá estipulan que todos los fabricantes deben proporcionar instrucciones escritas que describan la operación y el mantenimiento de los sistemas de control de las emisiones de escape.

Deberán seguirse las instrucciones y procedimientos siguientes para mantener las emisiones de escape del motor Honda dentro de lo estipulado por las normas sobre las emisiones de escape.

### Manipulación indebida y alteraciones

La manipulación indebida o las alteraciones del sistema de control de las emisiones de escape pueden incrementar las emisiones hasta sobrepasar el límite legal. Entre los actos que constituyen manipulación indebida se encuentran:

- Extracción o alternación de cualquier parte de los sistemas de admisión, combustible, o escape.
- Alternación o supresión de la articulación del regulador o del mecanismo de ajuste de la velocidad para que el motor funcione fuera de sus parámetros de diseño.

### Problemas que pueden afectar las emisiones de escape

Si percibe alguno de los síntomas siguientes, solicite a su distribuidor de servicio que inspeccione y repare el motor.

- Cuesta arrancar o se cala después de arrancar.
- Ralentí irregular.
- Fallos de encendido o detonaciones bajo carga.
- Combustión retardada (detonaciones).
- Humo negro de escape o alto consumo de combustible.

## Repuestos

Los sistemas de control de las emisiones de escape de su motor Honda han sido diseñados, fabricados y certificados para conformar las regulaciones de las emisiones de escape estipuladas por EPA, California (modelos homologados para la venta en California) y Canadá. Recomendamos el empleo de repuestos originales Honda Genuine cuando se haga el mantenimiento. Estos repuestos de diseño original están fabricados con las mismas normas que las partes originales, por lo que podrá confiar en su rendimiento. El empleo de repuestos que no son de diseño y calidad originales puede degradar la efectividad de su sistema de control de las emisiones de escape.

Los fabricantes del mercado de repuestos asumen la responsabilidad de que el repuesto no afectará adversamente el rendimiento de las emisiones de escape. El fabricante o el remodelador del repuesto deberá certificar que el empleo del repuesto no ocasionará fallas del motor para que éste pueda cumplir las regulaciones sobre las emisiones de escape.

## Mantenimiento

Siga el programa de mantenimiento de la página 6. Recuerde que este programa se basa en la suposición de que su máquina se utiliza para su propósito original. El funcionamiento continuado con grandes cargas o altas temperaturas, o la utilización en condiciones de mucha humedad o polvo, requerirá que se realice el servicio con más frecuencia.

## Índice de aire

(Modelos homologados para la venta en California)

En los motores que están certificados para un período de durabilidad de las emisiones de acuerdo con las estipulaciones del Consejo de recursos de aire de California se les pone una etiqueta de información sobre el índice de aire.

El gráfico de barras tiene el propósito de proporcionarle a usted, nuestro cliente, la posibilidad de comparar el rendimiento de las emisiones de escape de los motores disponibles. Cuanto más bajo es el índice de aire, menos contaminación produce.

La descripción de la durabilidad tiene el propósito de informarle sobre el período de durabilidad de las emisiones de escape del motor. El término descriptivo indica el período de vida de servicio del sistema de control de las emisiones de escape del motor. Consulte la *garantía del sistema de control de las emisiones* de escape para encontrar más información al respecto.

| Término descriptivo | Aplicable al período de durabilidad de las emisiones  |
|---------------------|---|
| Moderado            | 50 horas (0–80 cm <sup>3</sup> , inclusive)<br>125 horas (más de 80 cm <sup>3</sup> )   |
| Intermedio          | 125 horas (0–80 cm <sup>3</sup> , inclusive)<br>250 horas (más de 80 cm <sup>3</sup> )  |
| Extendido           | 300 horas (0–80 cm <sup>3</sup> inclusive)<br>500 horas (más de 80 cm <sup>3</sup> )<br>1.000 horas (225 cm <sup>3</sup> y más) |

## Especificaciones

### GCV520/GXV520 (Tipo OEA-1)

|   |  |
|---|--|
| Longitud × Anchura × Altura   | 458 × 427 × 331 mm   |
| Masa en seco [peso]   | 30,5 kg  |
| Tipo de motor   | 4 tiempos, árbol de levas en cabeza, 2 cilindros (90° en V, doble)                             |
| Cilindrada [Calibre × Carrera]  | 530 cm <sup>3</sup><br>[77,0 × 57,0 mm]  |
| Potencia neta<br><small>(de acuerdo con la norma SAE J1349*)</small>                    | 9,8 kW (13,3 PS) a 3.600 min <sup>-1</sup> (rpm)   |
| Par motor neto máx.<br>(GCV520U)<br><small>(de acuerdo con la norma SAE J1349*)</small> | 33,2 N·m (3,39 kgf·m) a 2.500 min <sup>-1</sup> (rpm)  |
| Par motor neto máx.<br>(GXV520U)<br><small>(de acuerdo con la norma SAE J1349*)</small> | 32,9 N·m (3,35 kgf·m) a 2.500 min <sup>-1</sup> (rpm)  |
| Capacidad de aceite de motor  | Sin reemplazo del filtro de aceite:<br>0,90 L<br>Con reemplazo del filtro de aceite:<br>1,00 L |
| Sistema de enfriamiento   | Aire forzado   |
| Sistema de encendido  | Magneto transistorizado  |
| Rotación del eje de la toma de fuerza   | Hacia la izquierda   |

\* La potencia nominal del motor indicada en este documento es la potencia de salida neta probada en un modelo de motor fabricado en serie y medida conforme a la norma SAE J1349 a 3.600 rpm (potencia neta) y a 2.500 rpm (par motor neto máx.). La potencia de salida de los motores de fabricación en serie puede variar respecto a este valor. La potencia de salida real del motor instalado en el vehículo final variará dependiendo de numerosos factores, entre los que destacan la velocidad de funcionamiento aplicada al motor, las condiciones medioambientales, el mantenimiento y otras variables.



**GCV530/GXV530 (Tipo QEA-1)**

|   |  |
|---|--|
| Longitud × Anchura × Altura                                       | 458 × 427 × 331 mm   |
| Masa en seco [peso]   | 30,5 kg  |
| Tipo de motor   | 4 tiempos, árbol de levas en cabeza, 2 cilindros (90° en V, doble)                       |
| Cilindrada [Calibre × Carrera]                                    | 530 cm <sup>3</sup> [77,0 × 57,0 mm]   |
| Potencia neta (de acuerdo con la norma SAE J1349*)                | 11,3 kW (15,4 PS) a 3.600 min <sup>-1</sup> (rpm)  |
| Par motor neto máx. (GCV530) (de acuerdo con la norma SAE J1349*) | 34,3 N·m (3,50 kgf·m) a 2.500 min <sup>-1</sup> (rpm)                                    |
| Par motor neto máx. (GXV530) (de acuerdo con la norma SAE J1349*) | 34,2 N·m (3,49 kgf·m) a 2.500 min <sup>-1</sup> (rpm)                                    |
| Capacidad de aceite de motor                                      | Sin reemplazo del filtro de aceite: 0,90 L<br>Con reemplazo del filtro de aceite: 1,00 L |
| Sistema de enfriamiento   | Aire forzado   |
| Sistema de encendido  | Magneto transistorizado  |
| Rotación del eje de la toma de fuerza                             | Hacia la izquierda   |

\* La potencia nominal del motor indicada en este documento es la potencia de salida neta probada en un modelo de motor fabricado en serie y medida conforme a la norma SAE J1349 a 3.600 rpm (potencia neta) y a 2.500 rpm (par motor neto máx.). La potencia de salida de los motores de fabricación en serie puede variar respecto a este valor. La potencia de salida real del motor instalado en el vehículo final variará dependiendo de numerosos factores, entre los que destacan la velocidad de funcionamiento aplicada al motor, las condiciones medioambientales, el mantenimiento y otras variables.

**Especificaciones de reglaje GCV520/530, GXV520/530**

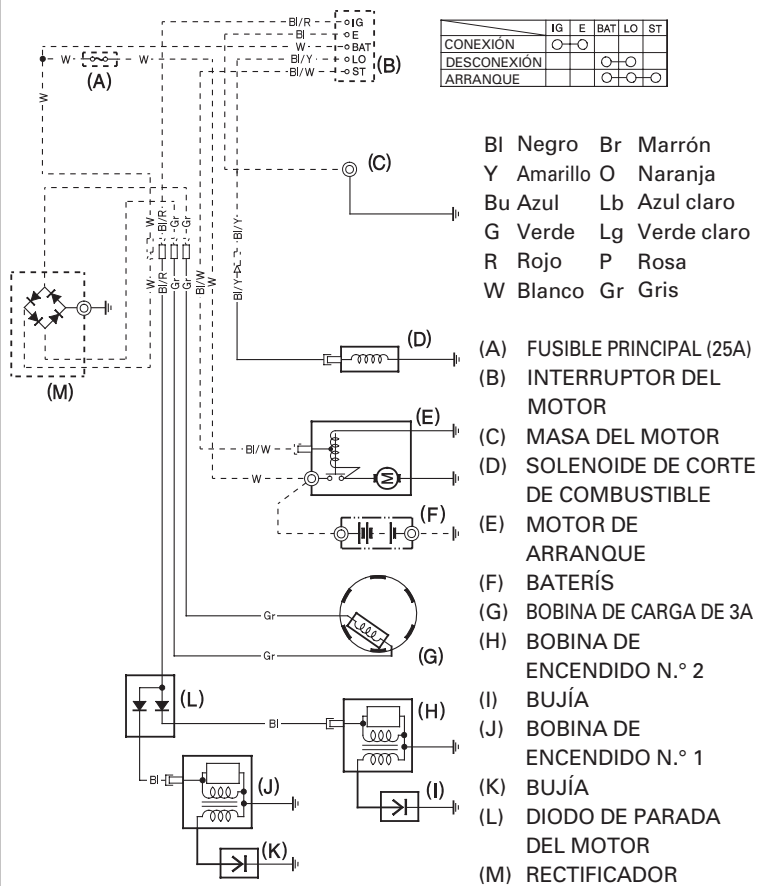
| ELEMENTO                      | ESPECIFICACIONES   | MANTENIMIENTO               |
|-------------------------------|--|-----------------------------|
| Huelgo de bujía               | 0,7 – 0,8 mm   | Consulte la página 10       |
| Velocidad de ralentí          | 1.400 <sup>+200</sup> / <sub>150</sub> min <sup>-1</sup> (rpm) | Consulte a su concesionario |
| Holgura de válvulas (en frío) | ADMISIÓN: 0,10 ± 0,04 mm<br>ESCAPE: 0,15 ± 0,04 mm             | Honda autorizado            |
| Otras especificaciones        | No se requiere ningún otro ajuste.                             |                             |

**Información de referencia rápida**

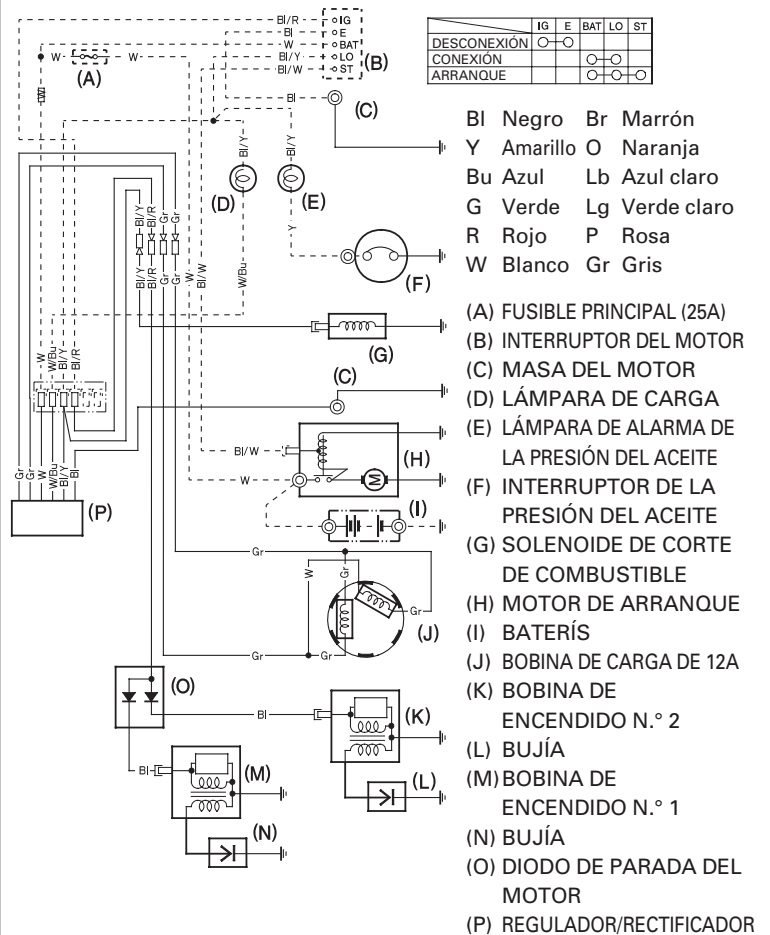
|                 |  |  |
|-----------------|--|--|
| Combustible     | Gasolina sin plomo (Consulte la página 7)  |  |
|                 | EE.UU.   | Valor de octanos de bomba de 86 o más alto         |
|                 | Excepto EE.UU.   | Valor de octanos de investigación de 91 o más alto |
| Aceite de motor | SAE 10W-30, API SJ o posterior, para aplicaciones generales.<br>Consulte la página 7.  |  |
| Bujía           | BPR5ES (NGK)<br>W16EPR-U (DENSO)   |  |
| Mantenimiento   | Antes de cada utilización:   |  |
|                 | <ul style="list-style-type: none"> <li>Compruebe el nivel de aceite de motor. Consulte la página 7.</li> <li>Compruebe el filtro de aire. Consulte la página 9.</li> </ul> |  |
|                 | Primeras 20 horas:   |  |
|                 | <ul style="list-style-type: none"> <li>Cambie el aceite de motor. Consulte la página 8.</li> </ul>   |  |
|                 | Subsecuentemente:<br>Consulte el programa de mantenimiento de la página 6.   |  |

**Diagramas de conexiones**

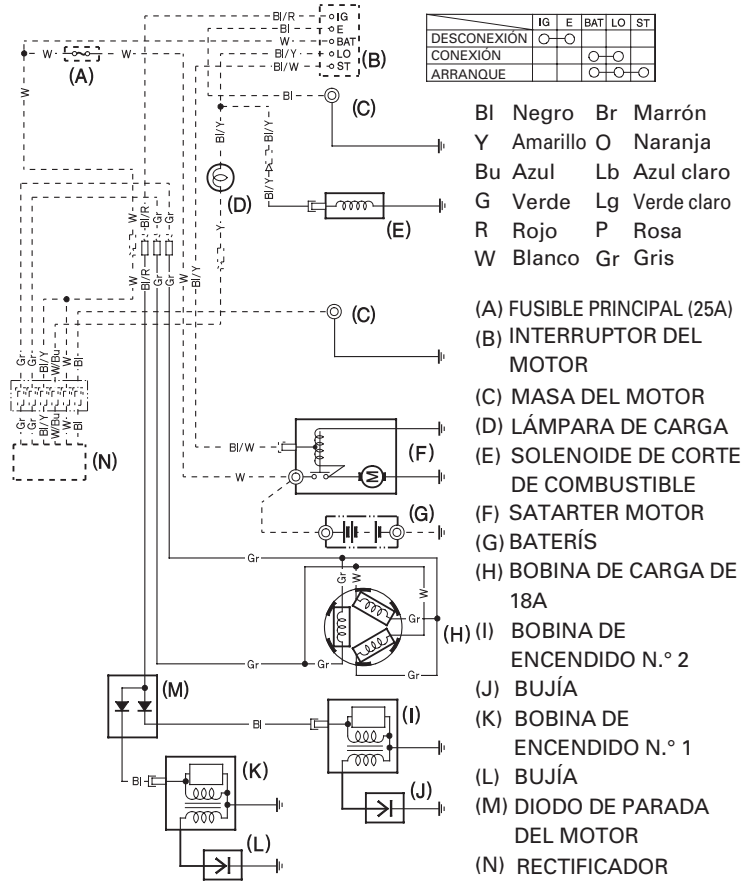
**Con bobina de carga de 3 A**



**Con bobina de carga de 12 A**



Con bobina de carga de 18A



## INFORMACIÓN DEL CONSUMIDOR

### Garantía e información para encontrar distribuidores/concesionarios

#### Estados Unidos, Puerto Rico, e Islas Vírgenes Estadounidenses:

Visite nuestro sitio en la Web: [www.honda-engines.com](http://www.honda-engines.com)

#### Canadá:

Llame al (888) 9HONDA9

o visite nuestro sitio en la Web: [www.honda.ca](http://www.honda.ca)

#### Para la zona de Europa:

Visite nuestro sitio en la Web: <http://www.honda-engines-eu.com>

#### Australia:

Llame al (03) 9270 1348

o visite nuestro sitio Web: [www.hondampe.com.au](http://www.hondampe.com.au)

### Información de servicio de clientes

El personal de los concesionarios de servicio son profesionales entrenados.

Ellos podrán contestar a cualquier pregunta que usted les haga. Si se encuentra con un problema que su concesionario no puede resolver para dejarle satisfecho, comuníquese al jefe del concesionario. El jefe de servicio, el director general, o el propietario podrán ayudarlo. Casi todos los problemas se resuelven de este modo.

#### Estados Unidos, Puerto Rico, e Islas Vírgenes Estadounidenses:

Si no queda satisfecho con la decisión tomada por los jefes del concesionario, póngase en contacto con el distribuidor regional de motores Honda de su localidad.

Si todavía no está satisfecho después de hablar con el distribuidor de motor regional, podrá ponerse en contacto con la Oficina de Honda como se muestra.

#### Todas las otras zonas:

Si no queda satisfecho con la decisión tomada por los jefes del concesionario, póngase en contacto con la Oficina de Honda como se muestra.

#### 《Oficinas Honda》

Cuando escriba o llame, tenga la amabilidad de incluir la información siguiente:

- Nombre del fabricante y número de modelo del equipo al que se ha montado el motor
- Modelo, número de serie, y tipo del motor (vea la página 13)
- Nombre del concesionario que le vendió el motor
- Nombre, dirección, y persona de contacto del concesionario que realiza el servicio de su motor
- Fecha de adquisición
- Su nombre, dirección y número de teléfono
- Una descripción detallada del problema

#### Estados Unidos, Puerto Rico, e Islas Vírgenes Estadounidenses:

##### American Honda Motor Co., Inc.

Power Equipment Division  
Customer Relations Office  
4900 Marconi Drive  
Alpharetta, GA 30005-8847

O llamar por teléfono: (770) 497-6400, 8:30 am - 7:00 pm ET

#### Canadá:

##### Honda Canada, Inc.

Para información sobre la dirección visite el sitio [www.honda.ca](http://www.honda.ca)

Teléfono: (888) 9HONDA9 Llamada sin cargo  
(888) 946-6329

Facsimil: (877) 939-0909 Llamada sin cargo

#### Australia:

##### Honda Australia Motorcycle and Power Equipment Pty. Ltd.

1954 – 1956 Hume Highway  
Campbellfield Victoria 3061

Teléfono: (03) 9270 1111

Facsimil: (03) 9270 1133

#### Para la zona de Europa:

##### Honda Europe NV.

European Engine Center

<http://www.honda-engines-eu.com>

#### Todas las otras zonas:

Póngase en contacto con el distribuidor Honda de su zona para que le ayude.

**HONDA**  
The Power of Dreams

**HONDA**  
The Power of Dreams