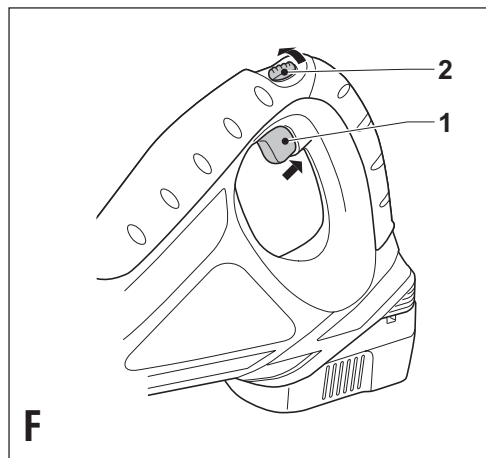
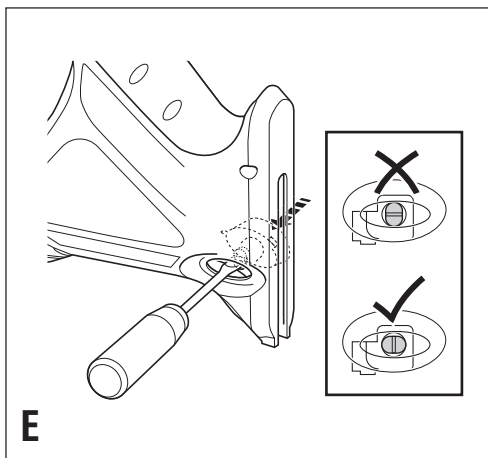
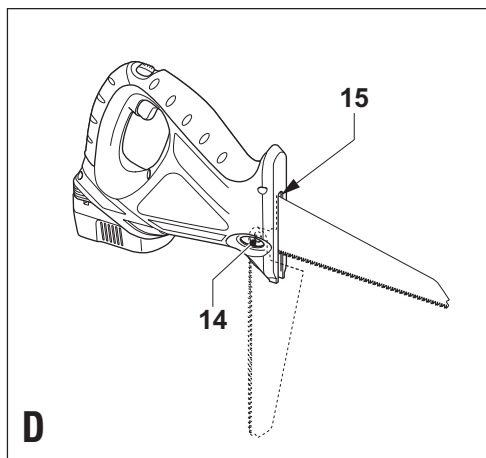
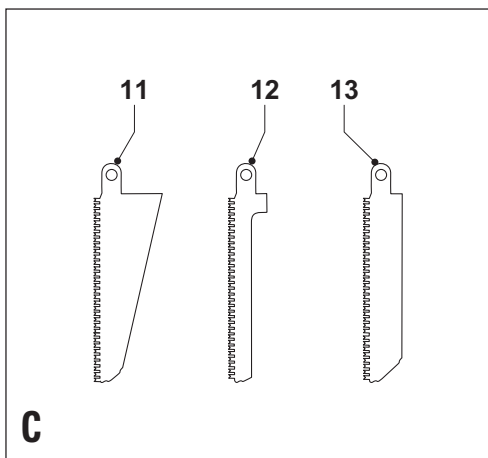
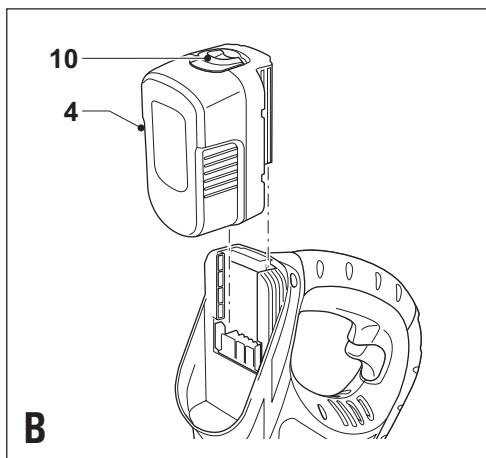
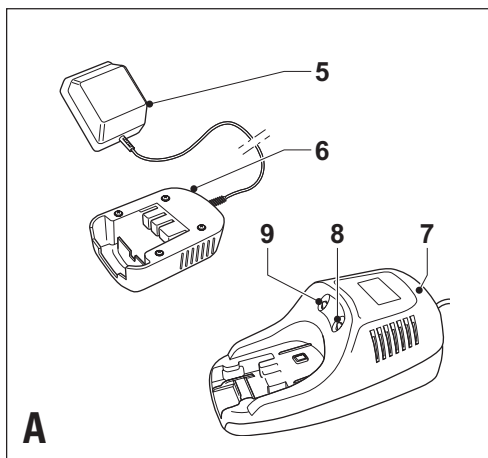
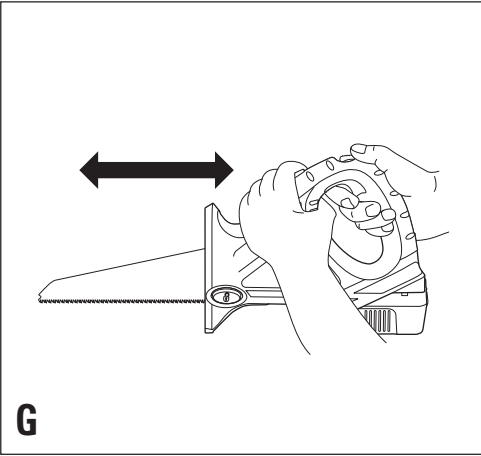


English	4
Deutsch	8
Français	13
Italiano	18
Nederlands	23
Español	28
Português	33
Svenska	38
Norsk	42
Dansk	47
Suomi	52
Ελληνικά	56





Intended use

Your Black & Decker saw has been designed for sawing wood, plastics and metal. This tool is intended for consumer use only.

Safety instructions

- ◆ **Warning!** When using battery-powered tools, basic safety precautions, including the following, should always be followed to reduce the risk of fire, leaking batteries, personal injury and material damage.
- ◆ Read all of this manual carefully before operating the tool.
- ◆ Retain this manual for future reference.

Keep work area clean

Cluttered areas and benches can cause accidents.

Consider work area environment

Do not expose the tool to rain. Do not use the tool in damp or wet conditions. Keep the work area well lit. Do not use the tool where there is a risk of causing fire or explosion, e.g. in the presence of flammable liquids and gases.

Keep children away

Do not allow children, visitors or animals to come near the work area or to touch the tool.

Dress properly

Do not wear loose clothing or jewellery, as these can be caught in moving parts. Preferably wear rubber gloves and non-slip footwear when working outdoors. Wear protective hair covering to keep long hair out of the way.

Personal protection

Always use safety glasses. Use a face or dust mask whenever the operations may produce dust or flying particles. Hearing protection should be worn.

Do not overreach

Keep proper footing and balance at all times.

Stay alert

Watch what you are doing. Use common sense. Do not operate the tool when you are tired.

Secure workpiece

Use clamps or a vice to hold the workpiece. It is safer and it frees both hands to operate the tool.

Connect dust extraction equipment

If devices are provided for the connection of dust extraction and collection facilities, ensure that these are connected and properly used.

Remove adjusting keys and wrenches

Always check that adjusting keys and wrenches are removed from the tool before operating the tool.

Use appropriate tool

The intended use is described in this instruction manual. Do not force small tools or attachments to do the job of a heavy-duty tool. The tool will do the job better and safer at the rate for which it was intended. Do not force the tool.

Warning! The use of any accessory or attachment or performance of any operation with this tool other than those recommended in this instruction manual may present a risk of personal injury.

Check for damaged parts

Before use, carefully check the tool for damage. Check for misalignment and seizure of moving parts, breakage of parts, damage to guards and switches and any other conditions that may affect its operation. Ensure that the tool will operate properly and perform its intended function. Do not use the tool if any part is damaged or defective. Do not use the tool if the switch does not turn it on and off. Have any damaged or defective parts repaired or replaced by an authorised repair agent. Never attempt any repairs yourself.

Remove the battery

Where the design permits, remove the battery when the tool is not in use, before changing any parts of the tool, accessories or attachments and before servicing.

Avoid unintentional starting

Do not carry the tool with a finger on the on/off switch. Be sure that the tool is switched off when inserting the battery into the tool.

Do not abuse cord

Never carry the charger by its cord or pull it to disconnect from the socket. Keep the cord away from heat, oil and sharp edges.

Store idle tools

When not in use, tools, batteries and chargers should be stored in a dry, locked up or high place, out of reach of children.

Maintain tools with care

Keep cutting tools sharp and clean for better and safer performance. Follow the instructions for maintenance and changing accessories. Keep handles and switches dry, clean and free from oil and grease.

Repairs

This tool complies with relevant safety requirements.

Repairs should only be carried out by qualified persons using original spare parts; otherwise this may result in considerable danger to the user.

Additional safety instructions for batteries and chargers

Batteries

- ◆ Never attempt to open for any reason.
- ◆ Do not expose the battery to water.
- ◆ Do not store in locations where the temperature may exceed 40 °C.
- ◆ Charge only at ambient temperatures between 4 °C and 40 °C.
- ◆ Charge only using the charger provided with the tool.
- ◆ When disposing of batteries, follow the instructions given in the section "Protecting the environment".

- ◆ Under extreme conditions, battery leakage may occur. When you notice liquid on the battery, proceed as follows:
 - Carefully wipe the liquid off using a cloth. Avoid skin contact.
 - In case of skin or eye contact, follow the instructions below.

Warning! The battery fluid, a 25-30% solution of potassium hydroxide, can be harmful. In case of skin contact, immediately rinse with water. Neutralise with a mild acid such as lemon juice or vinegar. In case of eye contact, rinse abundantly with clean water for at least 10 minutes. Consult a physician.

- ◆ Do not incinerate the battery.
- ◆ Do not attempt to charge damaged batteries.

Chargers

- ◆ Use your Black & Decker charger only to charge the battery in the tool with which it was supplied. Other batteries could burst, causing personal injury and damage.
- ◆ Never attempt to charge non-rechargeable batteries.
- ◆ Have defective cords replaced immediately.
- ◆ Do not expose the charger to water.
- ◆ Do not open the charger.
- ◆ Do not probe the charger.



The charger is intended for indoor use only.

Electrical safety



Your charger is double insulated; therefore no earth wire is required. Always check that the mains voltage corresponds to the voltage on the rating plate. Never attempt to replace the charger unit with a regular mains plug.

Additional safety instructions for hand-held saws

- ◆ Always use the appropriate type of saw blade for the workpiece material and type of cut.
- ◆ Only use saw blades in perfect condition.
- ◆ Always switch the tool off and wait for the saw blade to come to a complete standstill before putting the tool down.
- ◆ When not in use, the tool should be put down on its side.
- ◆ Keep your hands well clear of the saw blade while working.
- ◆ Whenever possible, use clamps or a vice to secure the workpiece.
- ◆ Before use, make sure that the cutting area is free of obstacles, especially on the reverse side of the cut.
- ◆ Before sawing in walls or floors, be aware of the location of hidden pipes and wiring.

- ◆ Do not use the tool while in a tree, on a ladder or on any other unstable surface.

Cutting branches

- ◆ Be aware of where the branch will fall.
- ◆ Pre-plan a safe exit from falling branches.
- ◆ Be sure of your footing. Wear a safety helmet where there is a risk of falling branches.
- ◆ When cutting a branch that is under tension, be alert for spring back so that you will not be struck when the tension is released.
- ◆ Avoid cutting into small sized brush and saplings because slender material may catch the saw blade and be whipped towards you, or pull you off balance.

Features

This tool includes some or all of the following features.

1. Variable speed switch
2. Lock-off button
3. Blade release button
4. Battery

Fig. A

5. Charger (3 hr model)
6. Charger receptacle
7. Charger (1 hr model)
8. Charging indicator
9. End of charge indicator

Assembly

Warning! Before assembly, remove the battery from the tool.

Fitting and removing the battery (fig. B)

- ◆ To fit the battery (4), line it up with the receptacle on the tool. Slide the battery into the receptacle and push until the battery snaps into place.
- ◆ To remove the battery, push the release button (10) while at the same time pulling the battery out of the receptacle.

Fitting and removing a saw blade (fig. C - E)

Saw blade

11. Large capacity blade
12. Curve cutting blade
13. Metal cutting blade

Fitting

- ◆ Place the blade over the location pin (14).
- ◆ Rotate the blade upward through 90° until it is fully located in the saw blade slot (15) and the location pin is in the locked position.

- ◆ Make sure the blade is securely fitted by trying to remove it without depressing the blade release button (3).

If you are unable to fit the blade, check if the location pin is in the correct position as shown in fig. E. If it is not, keep the blade release button depressed and use a screwdriver to turn the location pin into the correct position.

Removing

- ◆ Keep the blade release button (3) depressed and rotate the blade downward through 90°.
- ◆ Take the blade sideways off the location pin and slide it out of the tool.
- ◆ Release the blade release button.

Use

Warning! Let the tool work at its own pace. Do not overload.

Charging the battery (fig. A)

The battery needs to be charged before first use and whenever it fails to produce sufficient power on jobs that were easily done before. When charging the battery for the first time, or after prolonged storage, it will only accept an 80% charge. After several charge and discharge cycles, the battery will attain full capacity. The battery may become warm while charging; this is normal and does not indicate a problem.

Warning! Do not charge the battery at ambient temperatures below 4 °C or above 40 °C. Recommended charging temperature: approx. 24 °C.

Using the 3 hr charger

- ◆ To charge the battery (4), remove it from the tool.
- ◆ Slide the charger receptacle (6) onto the battery.
- ◆ Plug in the charger (5).

After approx. 3 hours of charging, the battery will be sufficiently charged for use in regular applications. After approx. 6 hours of charging, the battery will be fully charged.

- ◆ Remove the charger receptacle from the battery.

Using the 1 hr charger

- ◆ To charge the battery (4), remove it from the tool and insert it into the charger (7). The battery will only fit into the charger in one way. Do not force. Be sure that the battery is fully seated in the charger.
- ◆ Plug in the charger.
- ◆ Check if the red charging indicator (8) lights up. If the green end of charge indicator (9) lights up now instead, the battery is too hot and cannot be charged. If this happens, remove the battery from the charger, let the battery cool down for approx. 1 hour and re-insert it.

After approx. 1 hour of charging, the red charging indicator (8) will stop lighting and the green end of charge indicator (9) will light up. The battery is now fully charged.

- ◆ Remove the battery from the charger.

Switching on and off (fig. F)

- ◆ To switch the tool on, push the two lock-off button (2) into the unlock position and squeeze the variable speed switch (1).
- ◆ To switch the tool off, release the variable speed switch.

Sawing (fig. G)

- ◆ If possible, always hold the tool with both hands.
- ◆ Let the blade run freely for a few seconds before starting the cut.
- ◆ Apply only a gentle pressure to the tool while performing the cut.
- ◆ Use the same back and forth movement you would employ with a normal hand saw. This enables a quicker and cleaner cut.

Hints for optimum use

Sawing wood

- ◆ Clamp the workpiece securely and remove all nails and metal objects.
- ◆ When splintering is to be minimised, e.g. when cutting laminates, clamp a piece of scrap wood or hardboard to both sides of the workpiece and saw through this sandwich.

Sawing metal

- ◆ Be aware that sawing metal takes much more time than sawing wood.
- ◆ Use a saw blade suitable for sawing metal. Use a fine-tooth saw blade for ferrous metals and a coarser saw blade for nonferrous metals.
- ◆ When cutting thin sheet metal, clamp a piece of scrap wood to the back surface of the workpiece and cut through this sandwich.
- ◆ Spread a film of oil along the intended line of cut.

Cutting branches

- ◆ Cut downward and away from your body.
- ◆ Make the cut close to the main branch or tree body.

Maintenance

Your Black & Decker tool has been designed to operate over a long period of time with a minimum of maintenance.

Continuous satisfactory operation depends upon proper tool care and regular cleaning.

Your charger does not require any maintenance apart from regular cleaning.

Warning! Before performing any maintenance on the tool, remove the battery from the tool. Unplug the charger before cleaning it.

- ◆ Regularly clean the ventilation slots in your tool and charger using a soft brush or dry cloth.
- ◆ Regularly clean the motor housing using a damp cloth. Do not use any abrasive or solvent-based cleaner.

Protecting the environment

Tools



Black & Decker provides a facility for recycling Black & Decker products and rechargeable batteries once they have reached the end of their working life.

This service is provided free of charge. To take advantage of this service please return your product to any authorised repair agent who will collect them on our behalf.

Batteries



Black & Decker batteries can be recharged many times. At the end of their useful life, discard batteries with due care for our environment:

- ◆ Run the battery down completely, then remove it from the tool.
- ◆ NiCd and NiMH batteries are recyclable. Take them to any authorised repair agent or a local recycling station.

You can check the location of your nearest authorised repair agent by contacting your local Black & Decker office at the address indicated in this manual. Alternatively, a list of authorised Black & Decker repair agents and full details of our after-sales service and contacts are available on the Internet at: www.2helpU.com

Technical data

		CS143(K)
Voltage	V_{DC}	14.4
Number of strokes	min^{-1}	0 - 4,500
Stroke length	mm	10
Max. depth of cut	mm	
Wood		100
Steel		3
Plastic pipe	\emptyset	50
Pruning	\emptyset	50
Battery cat. no.		A14F
Weight (with battery)	kg	2.4

Charger		3 hr	1 hr
Input voltage	V_{AC}	230	230
Approx. charging time	h	3	1

EC declaration of conformity

CS143(K)

Black & Decker declares that these products conform to: 98/37/EC, 89/336/EEC, 73/23/EEC, EN 50260, EN 60335, EN 55014, EN 61000

L_{pA} (sound pressure): 89 dB(A), L_{WA} (acoustic power) 100 dB(A), hand/arm weighted vibration 4.02 m/s^2

Kevin Hewitt
 Director of Consumer Engineering
 Spennymoor, County Durham DL16 6JG,
 United Kingdom
 1-2-2004

Guarantee

Black & Decker is confident of the quality of its products and offers an outstanding guarantee. This guarantee statement is in addition to and in no way prejudices your statutory rights. The guarantee is valid within the territories of the Member States of the European Union and the European Free Trade Area.

If a Black & Decker product becomes defective due to faulty materials, workmanship or lack of conformity, within 24 months from the date of purchase, Black & Decker guarantees to replace defective parts, repair products subjected to fair wear and tear or replace such products to ensure minimum inconvenience to the customer unless:

- ◆ The product has been used for trade, professional or hire purposes;
- ◆ The product has been subjected to misuse or neglect;
- ◆ The product has sustained damage through foreign objects, substances or accidents;
- ◆ Repairs have been attempted by persons other than authorised repair agents or Black & Decker service staff.

To claim on the guarantee, you will need to submit proof of purchase to the seller or an authorised repair agent. You can check the location of your nearest authorised repair agent by contacting your local Black & Decker office at the address indicated in this manual. Alternatively, a list of authorised Black & Decker repair agents and full details of our after-sales service and contacts are available on the Internet at: www.2helpU.com

Please visit our website www.blackanddecker.co.uk to register your new Black & Decker product and to be kept up to date on new products and special offers. Further information on the Black & Decker brand and our range of products is available at www.blackanddecker.co.uk

Bestimmungsgemäße Verwendung

Ihre Black & Decker Säge wurde zum Sägen von Holz, Kunststoff und Metall entwickelt. Dieses Gerät ist nicht für den gewerblichen Einsatz vorgesehen.

Sicherheitshinweise

- ◆ **Warnung!** Bei der Verwendung von Akkugeräten sind zum Schutz gegen Feuergefahr, gegen Austreten der Akkufflüssigkeit sowie gegen Körper- und Sachschaden grundlegende Sicherheitsmaßnahmen, einschließlich der folgenden Vorschriften, zu beachten.
- ◆ Lesen Sie diese Anleitung gründlich durch, bevor Sie das Gerät verwenden.
- ◆ Bewahren Sie diese Anleitung auf.

Halten Sie Ihren Arbeitsbereich in Ordnung!

Unordnung im Arbeitsbereich führt zu Unfallgefahren.

Berücksichtigen Sie Umgebungseinflüsse!

Setzen Sie das Gerät keinem Regen aus. Verwenden Sie das Gerät nicht in einer feuchten oder nassen Umgebung. Sorgen Sie für eine gute Beleuchtung des Arbeitsbereiches. Benutzen Sie das Gerät nicht an Orten, wo Feuergefahr oder Explosionsgefahr besteht, z.B. in der Nähe von brennbaren Flüssigkeiten oder Gasen.

Halten Sie Kinder fern!

Halten Sie Kinder, Besucher und Tiere dem Arbeitsbereich fern und sorgen Sie dafür, daß sie das Gerät nicht berühren.

Tragen Sie geeignete Arbeitskleidung!

Tragen Sie keine weite Kleidung oder Schmuck, da diese von sich bewegendenden Teilen erfaßt werden können. Beim Arbeiten im Freien sind Arbeitshandschuhe und rutschfestes Schuhwerk empfehlenswert. Tragen Sie bei langen Haaren ein Haarnetz.

Schutzmaßnahmen

Verwenden Sie immer eine Schutzbrille. Tragen Sie eine Atemschutzmaske, falls die Arbeiten Staub oder Späne erzeugen können. Tragen Sie bei einem hohen oder unangenehmen Schallpegel immer einen Gehörschutz.

Achten Sie auf einen sicheren Stand!

Achten Sie auf einen sicheren Stand, um in jeder Arbeitsposition das Gleichgewicht zu halten.

Seien Sie stets aufmerksam!

Konzentrieren Sie sich auf Ihre Arbeit. Gehen Sie vernünftig vor. Verwenden Sie das Gerät nicht, wenn Sie müde sind.

Sichern Sie das Werkstück!

Benutzen Sie Spannvorrichtungen oder einen Schraubstock, um das Werkstück festzuhalten. Es ist damit sicherer gehalten und ermöglicht die Bedienung des Gerätes mit beiden Händen.

Schließen Sie Vorrichtungen zur Staubabsaugung an!

Falls Vorrichtungen zur Absaugung oder zum Sammeln von Staub an das Gerät angeschlossen werden können, vergewissern Sie sich, daß diese angeschlossen sind und ordnungsgemäß verwendet werden.

Lassen Sie keine Schlüssel stecken!

Überprüfen Sie vor dem Einschalten, ob die Schlüssel und Einstellwerkzeuge entfernt sind.

Benutzen Sie das richtige Gerät!

Die bestimmungsgemäße Verwendung ist in dieser Betriebsanleitung beschrieben. Verwenden Sie keine zu schwachen Geräte oder Zubehörteile für schwere Arbeiten. Mit dem richtigen Gerät erzielen Sie eine optimale Qualität und gewährleisten Ihre persönliche Sicherheit. Überlasten Sie das Gerät nicht.

Warnung! Das Verwenden anderer als der in dieser Anleitung empfohlenen Vorsatzgeräte und Zubehörteile oder die Ausführung von Arbeiten mit diesem Gerät, die nicht der bestimmungsgemäßen Verwendung entsprechen, kann zu Unfallgefahren führen.

Kontrollieren Sie Ihr Gerät auf Beschädigungen!

Überprüfen Sie das Gerät vor der Arbeit auf Beschädigungen. Überprüfen Sie, ob alle beweglichen Teile richtig montiert sind, ob keine Teile gebrochen sind, ob keine Schutzvorrichtungen und Schalter beschädigt sind, und ob irgendwelche andere Schäden den einwandfreien Betrieb des Gerätes beeinträchtigen könnten. Vergewissern Sie sich, daß das Gerät ordnungsgemäß funktionieren wird. Benutzen Sie das Gerät nicht, wenn irgendein Teil defekt ist. Verwenden Sie das Gerät nicht, wenn der Ein-/Aus-Schalter nicht funktioniert. Lassen Sie defekte Teile immer von einer unserer Kundendienstwerkstätten reparieren oder austauschen. Versuchen Sie nie, das Gerät selber zu reparieren.

Entfernen Sie den Akku:

Entfernen Sie, falls möglich, den Akku, wenn Sie das Gerät nicht benutzen, bevor Sie irgendwelche Werkzeuge, Zubehörteile oder Geräteteile auswechseln und bevor Sie irgendwelche Wartungsarbeiten vornehmen.

Vermeiden Sie ein unbeabsichtigtes Einschalten!

Tragen Sie das Gerät nicht mit dem Finger am Ein-/Aus-Schalter. Vergewissern Sie sich, daß das Gerät ausgeschaltet ist, wenn Sie den Akku anbringen.

Behandeln Sie das Kabel sorgfältig!

Tragen Sie das Ladegerät nicht am Kabel und benutzen Sie das Kabel nicht, um den Stecker aus der Steckdose zu ziehen. Schützen Sie das Kabel vor Hitze, Öl und scharfen Kanten.

Bewahren Sie Ihre Geräte sicher auf!

Unbenutzte Geräte, Ladegeräte und Akkus sind an einem trockenen, für Kinder nicht erreichbaren Ort aufzubewahren.

Pflegen Sie Ihre Geräte mit Sorgfalt!

Halten Sie Schneidwerkzeuge scharf und sauber, um gut und sicher arbeiten zu können. Befolgen Sie die Wartungsvorschriften und die Hinweise für den Werkzeugwechsel. Halten Sie Handgriffe und Schalter trocken, sauber und frei von Öl und Fett.

Reparaturen:

Dieses Gerät entspricht den einschlägigen Sicherheitsvorschriften. Reparaturen sind nur von autorisierten Fachkräften und mit Original-Ersatzteilen vorzunehmen; andernfalls kann Unfallgefahr für den Betreiber entstehen.

Zusätzliche Sicherheitshinweise für Akkus und Ladegeräte

Akkus

- ◆ Versuchen Sie auf keinen Fall, einen Akku zu öffnen.
- ◆ Setzen Sie den Akku keiner Nässe aus.
- ◆ Lagern Sie den Akku nicht an einem Ort, wo die Temperatur 40 °C erreichen kann.
- ◆ Laden Sie den Akku nur bei einer Umgebungstemperatur zwischen 4 °C und 40 °C.
- ◆ Laden Sie den Akku nur mit dem im Lieferumfang enthaltenen Ladegerät (siehe technische Daten).
- ◆ Vergewissern Sie sich vor dem Laden, daß der Akku trocken und sauber ist.
- ◆ Verwenden Sie den korrekten Akkutyp für das jeweilige Gerät (siehe technische Daten).
- ◆ Befolgen Sie bei der Entsorgung von Akkus die Anweisungen im Abschnitt "Umweltschutz".
- ◆ Unter extremen Einsatzbedingungen kann Akkufflüssigkeit aus dem Akku austreten. Wenn sich Flüssigkeit auf dem Akku befindet, gehen Sie folgendermaßen vor:
 - Wischen Sie die Flüssigkeit mit Hilfe eines Tuches vorsichtig vom Akku. Vermeiden Sie eine Berührung mit der Haut.
 - Falls die Flüssigkeit doch mit der Haut oder den Augen in Berührung kommen sollte, befolgen Sie die folgenden Hinweise.

Warnung! Die Akkufflüssigkeit, eine 25 bis 30% starke Kaliumhydroxidlösung, kann schädlich sein. Falls die Lösung mit der Haut in Berührung kommt, spülen Sie sofort mit reichlich Wasser. Neutralisieren Sie die Lösung mit einer milden Säure wie Zitronensaft oder Essig. Falls die Lösung mit den Augen in Berührung kommt, spülen Sie mindestens 10 Minuten lang mit reichlich klarem Wasser. Wenden Sie sich an einen Arzt.

- ◆ Verbrennen Sie den Akku nicht!
- ◆ Versuchen Sie nie, einen beschädigten Akku zu laden!

Ladegeräte

- ◆ Verwenden Sie Ihr Black & Decker Ladegerät nur zum Laden von Akkus vom im Lieferumfang enthaltenen Typ. Andere Akkus könnten platzen und Sach- und Personenschäden verursachen.

- ◆ Versuchen Sie nie, nichtwiederaufladbare Batterien zu laden.
- ◆ Lassen Sie ein beschädigtes Kabel sofort austauschen.
- ◆ Setzen Sie das Ladegerät keiner Nässe aus.
- ◆ Öffnen Sie das Ladegerät nicht.
- ◆ Fassen Sie nicht mit den Fingern oder irgendwelchen Gegenständen in das Ladegerät.



Nicht für die Verwendung im Freien zugelassen!

Elektrische Sicherheit



Ihr Ladegerät ist doppelt isoliert; eine Erdleitung ist somit nicht erforderlich. Überprüfen Sie, ob die Netzspannung der auf dem Typenschild des Ladegerätes angegebenen Spannung entspricht. Tauschen Sie das Ladegerät auf keinen Fall gegen einen Netzstecker aus.

Zusätzliche Sicherheitshinweise für Handsägen

- ◆ Verwenden Sie immer ein Sägeblatt, das sich für das zu sägende Material und den gewünschten Schnitttyp eignet.
- ◆ Verwenden Sie nur Sägeblätter in einwandfreiem Zustand.
- ◆ Schalten Sie immer das Gerät aus und warten Sie, bis das Sägeblatt zum Stillstand kommt, bevor Sie das Gerät niederlegen.
- ◆ Wird das Gerät nicht benutzt, so sollte es auf die Seite gelegt werden.
- ◆ Halten Sie Ihre Hände während der Arbeit vom Sägeblatt fern.
- ◆ Verwenden Sie möglichst immer Spannbacken oder einen Schraubstock, um das Werkstück zu befestigen.
- ◆ Stellen Sie vor der Verwendung sicher, daß der Schnittbereich frei von Hindernissen ist, insbesondere auf der Rückseite des Schnitts.
- ◆ Vor Sägearbeiten in Wänden oder Böden müssen verborgene Rohre und Leitungen ausfindig gemacht werden.
- ◆ Verwenden Sie das Gerät nicht, während Sie sich in einem Baum, auf einer Leiter oder auf einer anderen instabilen Oberfläche befinden.

Schneiden von Zweigen

- ◆ Seien Sie sich darüber im klaren, wohin der Zweig fällt.
- ◆ Planen Sie einen sicheren Fluchtweg vor den fallenden Zweigen.
- ◆ Achten Sie auf einen sicheren Stand. Tragen Sie einen Schutzhelm, wenn das Risiko von herabfallenden Zweigen besteht.
- ◆ Seien Sie sich beim Durchtrennen eines Asts unter Spannung über das Zurückschnellen des Asts im klaren, damit Sie nicht angeschlagen werden, wenn sich der Ast entspannt.

- ◆ Vermeiden Sie Schnitte in kleine Büsche und Jungbäume, da sich Kleinteile im Sägeblatt verfangen und in Ihre Richtung geschleudert werden oder Sie aus dem Gleichgewicht bringen können.

Merkmale

Dieses Gerät weist einige oder alle der folgenden Merkmale auf.

1. Drehzahl-Regelschalter
2. Einschaltsperr
3. Sägeblattlöseknopf
4. Akku

Abb. A

5. Ladegerät (3-Stunden-Modell)
6. Ladegerätaufnahme
7. Ladegerät (1-Stunden-Modell)
8. Ladeanzeige
9. Statusanzeige

Montage

Achtung! Nehmen Sie vor der Montage den Akku vom Gerät.

Anbringen und Entfernen des Akkus (Abb. B)

- ◆ Um den Akku (4) anzubringen, richten Sie ihn mit der Aufnahme am Gerät aus. Schieben Sie den Akku in die Aufnahme und drücken Sie, bis er einrastet.
- ◆ Um den Akku zu entfernen, drücken Sie den Löseknopf (10) und ziehen Sie gleichzeitig den Akku aus der Aufnahme heraus.

Anbringen und Entfernen eines Sägeblattes (Abb. C - E)

Sägeblatt

11. Leistungs-Sägeblatt
12. Kurvensägeblatt
13. Metallsägeblatt

Anbringen

- ◆ Setzen Sie das Sägeblatt über den Ausrichtungsstift (14).
- ◆ Drehen Sie das Sägeblatt um 90° nach oben, bis es vollständig im Sägeblattschlitz (15) sitzt und sich der Ausrichtungsstift in der gesicherten Position befindet.
- ◆ Vergewissern Sie sich, daß das Sägeblatt sicher angebracht ist, indem Sie versuchen, es zu entfernen, ohne den Sägeblattlöseknopf (3) zu drücken.

Falls sich das Sägeblatt nicht anbringen läßt, prüfen Sie, ob sich der Ausrichtungsstift in der richtigen Position gemäß Abb. E befindet. Ist dies nicht der Fall, halten Sie den Sägeblattlöseknopf gedrückt und verwenden Sie einen Schraubendreher, um den Ausrichtungsstift in die richtige Position zu drehen.

Entfernen

- ◆ Halten Sie den Sägeblattlöseknopf (3) gedrückt und drehen Sie das Sägeblatt um 90° nach unten.
- ◆ Nehmen Sie das Sägeblatt seitlich vom Ausrichtungsstift weg und ziehen Sie es aus dem Gerät.
- ◆ Lassen Sie den Sägeblattlöseknopf los.

Gebrauch

Achtung! Beschleunigen Sie den Arbeitsvorgang nicht mit Gewalt. Vermeiden Sie eine Überlastung des Gerätes.

Laden des Akkus (Abb. A)

Der Akku ist zu laden, bevor Sie das Akku-Gerät zum ersten Mal benutzen sowie wenn die Leistung des Akku-Geräts spürbar nachläßt. Wenn der Akku zum ersten Mal oder nach längerer Lagerung geladen wird, wird er nur 80% der Nennkapazität erreichen. Erst nach mehreren Lade- und Entladezyklen wird der Akku die volle Kapazität erreichen. Während des Ladens kann sich der Akku erwärmen. Dies deutet nicht auf irgendein Problem hin.

Achtung! Laden Sie den Akku nicht bei einer Umgebungstemperatur unter 4 °C oder über 40 °C. Empfohlene Ladetemperatur: zirka 24 °C.

Gebrauch des 3-Stunden-Ladegeräts

- ◆ Um den Akku (4) zu laden, entfernen Sie ihn vom Gerät.
- ◆ Schieben Sie die Aufnahme (6) des Ladegeräts auf den Akku.
- ◆ Stecken Sie den Netzstecker (5) des Ladegeräts in die Steckdose.

Nach ca. 3 Stunden Ladezeit ist der Akku für den normalen Gebrauch ausreichend aufgeladen. Nach ca. 6 Stunden Ladezeit ist der Akku vollständig aufgeladen.

- ◆ Entfernen Sie die Aufnahme des Ladegeräts vom Akku.

Gebrauch des 1-Stunden-Ladegeräts

- ◆ Um den Akku (4) zu laden, entfernen Sie ihn vom Gerät und stecken ihn in das Ladegerät (7). Der Akku läßt sich nur in einer Stellung in das Ladegerät einführen. Wenden Sie keine Gewalt an. Vergewissern Sie sich, daß der Akku vollständig in das Ladegerät eingeführt ist.
- ◆ Stecken Sie den Netzstecker des Ladegerätes in die Steckdose.
- ◆ Überprüfen Sie, ob die rote Ladeanzeige (8) aufleuchtet. Falls stattdessen die grüne Anzeige für das Ende des Ladevorgangs (9) aufleuchtet, ist der Akku zu heiß zum Laden. Ist dies der Fall, so nehmen Sie den Akku aus dem Ladegerät, lassen ihn ca. eine Stunde lang abkühlen und setzen ihn dann wieder in das Ladegerät ein.

Nach dem ca. einstündigen Ladevorgang erlischt die rote Ladeanzeige (8) und es leuchtet die grüne Statusanzeige (9) auf. Der Akku ist nun vollständig geladen.

- ◆ Entfernen Sie den Akku vom Ladegerät.

Ein- und Ausschalten (Abb. F)

- ◆ Um das Gerät einzuschalten, schieben Sie die Einschaltsperrleiste (2) in die entriegelte Stellung und betätigen Sie den Geschwindigkeitsregelschalter (1).
- ◆ Um das Gerät auszuschalten, lassen Sie den Geschwindigkeitsregelschalter los.

Sägen (Abb. G)

- ◆ Halten Sie das Gerät nach Möglichkeit immer mit beiden Händen.
- ◆ Lassen Sie das Sägeblatt einige Sekunden im Leerlauf laufen, bevor Sie den Schnitt vornehmen.
- ◆ Drücken Sie das Gerät während des Sägevorgangs nur leicht an.
- ◆ Führen Sie die gleiche Vorwärts- und Rückwärtsbewegung durch, die Sie auch mit einer normalen Handsäge durchführen würden. Dadurch ergibt sich ein schnellerer und saubererer Schnitt.

Hinweise für optimale Arbeitsergebnisse

Sägen von Holz

- ◆ Spannen Sie das Werkstück sicher ein und entfernen Sie alle Nägel und Metallgegenstände.
- ◆ Muß das Splittern möglichst gering gehalten werden, z.B. beim Schneiden von Laminat, so spannen Sie einen Holzrest oder eine Hartfaserplatte auf beide Seiten des Werkstücks und sägen Sie durch diesen "Sandwich".

Sägen von Metall

- ◆ Seien Sie sich darüber im klaren, daß beim Sägen von Metall sehr viel mehr Zeit als beim Sägen von Holz benötigt wird.
- ◆ Verwenden Sie ein für das Sägen von Metall geeignetes Sägeblatt. Verwenden Sie für Metalle ein Sägeblatt mit feiner Zahnteilung und für Nichtmetalle ein Sägeblatt mit größerer Zahnteilung.
- ◆ Beim Sägen von dünnem Blech spannen Sie einen Holzrest auf die hintere Fläche des Werkstücks, und schneiden Sie durch diesen "Sandwich".
- ◆ Verteilen Sie einen Ölfilm auf der Schnittlinie.

Schneiden von Zweigen

- ◆ Schneiden Sie nach unten und von Ihrem Körper weg.
- ◆ Machen Sie den Schnitt möglichst nahe am Hauptzweig oder Baumkörper.

Wartung

Ihr Black & Decker Gerät wurde im Hinblick auf eine lange Lebensdauer und einen möglichst geringen Wartungsaufwand entwickelt. Ein dauerhafter, einwandfreier Betrieb setzt eine regelmäßige Reinigung voraus.

Ihr Ladegerät bedarf keinerlei Wartung außer einer regelmäßigen Reinigung.

Achtung! Bevor Sie irgendwelche Wartungsarbeiten vornehmen, entfernen Sie den Akku vom Akku-Gerät. Ziehen Sie den Netzstecker des Ladegerätes aus der Steckdose, bevor Sie es reinigen.

- ◆ Reinigen Sie regelmäßig die Lüftungsschlitze im Gerät und Ladegerät mit Hilfe einer weichen Bürste oder eines trockenen Tuches.
- ◆ Reinigen Sie regelmäßig das Motorgehäuse mit Hilfe eines feuchten Tuches. Verwenden Sie keine scheuernden Reinigungsmittel oder Reinigungsmittel auf Lösungsmittelbasis.

Umweltschutz

Geräte



Black & Decker nimmt Ihre ausgedienten Black & Decker Geräte und Akkus gern zurück und sorgt für eine umweltfreundliche Entsorgung.

Diese Dienstleistung ist für Sie kostenlos. Um diese Dienstleistung in Anspruch zu nehmen, geben Sie das Gerät bitte bei einer autorisierten Reparaturwerkstatt ab, die für uns die Einsammlung übernimmt.

Akkus



Black & Decker Akkus lassen sich viele Male wiederaufladen. Am Ende des technischen Lebens ist der Akku mit Rücksicht auf die Umwelt und fachgerecht zu entsorgen:

- ◆ Entladen Sie den Akku vollständig und entfernen Sie ihn vom Gerät.
- ◆ NiMH- und NiCd-Akkus sind wiederverwertbar. Zur Wiederverwertung oder umweltverträglichen Entsorgung sind sie bei Ihrem Händler oder einer kommunalen Sammelstelle abzugeben.

Die Adresse des zuständigen Büros von Black & Decker steht in diesem Handbuch, darüber läßt sich die nächstgelegene Vertragswerkstatt ermitteln. Außerdem ist eine Liste der Vertragswerkstätten und aller Kundendienststellen von Black & Decker sowie der zuständigen Ansprechpartner im Internet zu finden unter: www.2helpU.com

Technische Daten

		CS143(K)
Spannung	V_{DC}	14,4
Hubzahl	min^{-1}	0 - 4.500
Hublänge	mm	10
Maximale Schnittiefe	mm	
Holz		100
Stahl		3
Kunststoffrohr	\varnothing	50
Beschneiden	\varnothing	50
Bestellnummer Akku		A14F
Gewicht (mit Akku)	kg	2,4

Ladegerät	3 Stunden	1 Stunde
Netzspannung	V_{AC} 230	230
Ladezeit (zirka)	Std. 3	1

EU-Konformitätserklärung

CS143(K)

Black & Decker erklärt hiermit, daß diese Geräte entsprechend folgenden Richtlinien und Normen konzipiert wurden:
98/37/EWG, 89/336/EWG, 73/23/EWG, EN 50260, EN 60335, EN 55014, EN 61000

L_{pA} (Schalldruck): 89 dB(A), L_{WA} (Schalleistung) 100 dB(A),
gewichteter Effektivwert der Beschleunigung 4,02 m/s²



Kevin Hewitt
Director of Consumer Engineering
Spennymoor, County Durham DL16 6JG,
United Kingdom
1-2-2004

- ◆ wenn das Gerät durch irgendwelche Fremdeinwirkung beschädigt wurde;
- ◆ wenn ein unbefugter Reparaturversuch durch anderes Personal als das einer Vertragswerkstatt oder des Black & Decker-Kundendienstes unternommen wurde.

Zur Inanspruchnahme dieser Garantie ist dem Verkäufer bzw. der Vertragswerkstatt ein Kaufnachweis vorzulegen. Der Kaufnachweis muß Kaufdatum und Gerätetyp bescheinigen. Die Adresse des zuständigen Büros von Black & Decker steht in dieser Anleitung, darüber läßt sich die nächstgelegene Vertragswerkstatt ermitteln. Außerdem ist eine Liste der Vertragswerkstätten und aller Kundendienststellen von Black & Decker sowie der zuständigen Ansprechpartner im Internet zu finden unter: www.2helpU.com

Bitte besuchen Sie unsere Webseite www.blackanddecker.de, um Ihr neues Black & Decker Produkt zu registrieren und über neue Produkte und Sonderangebote aktuell informiert zu werden. Weitere Informationen über die Marke Black & Decker und unsere Produkte finden Sie unter www.blackanddecker.de

Garantie

Black & Decker vertraut auf die Qualität der eigenen Geräte und bietet dem Käufer eine außergewöhnliche Garantie. Diese Garantiezusage versteht sich unbeschadet der gesetzlichen Gewährleistungsansprüche und schränkt diese keinesfalls ein. Sie gilt in sämtlichen Mitgliedsstaaten der Europäischen Union und der Europäischen Freihandelszone EFTA.

Tritt innerhalb von 24 Monaten ab Kaufdatum an einem Gerät von Black & Decker ein auf Material- oder Verarbeitungsfehler zurückzuführender Mangel auf, garantiert Black & Decker den Austausch defekter Teile, die Reparatur von Geräten mit üblichem Verschleiß bzw. den Austausch eines mangelhaften Geräts, ohne den Kunden dabei mehr als unbedingt nötig in Anspruch zu nehmen, allerdings vorbehaltlich folgender Ausnahmen:

- ◆ wenn das Gerät gewerblich, beruflich oder im Verleihgeschäft benutzt wurde;
- ◆ wenn das Gerät mißbräuchlich verwendet oder mit mangelnder Sorgfalt behandelt wurde;

Utilisation prévue

Votre scie Black & Decker a été spécialement conçue pour scier le bois, le plastique et le métal.

Cet outil a été conçu pour une utilisation exclusivement domestique.

Instructions de sécurité

- ◆ **Attention!** Lors de l'utilisation d'outils sans fil, observez les consignes de sécurité fondamentales, y compris celles qui suivent afin de réduire les risques d'incendie, de fuite de batteries, de blessures et de dommage matériel.
- ◆ Lisez et observez attentivement les instructions avant d'utiliser l'outil.
- ◆ Conservez ces instructions.

Tenez votre aire de travail propre et bien rangée

Le désordre augmente les risques d'accident.

Tenez compte des conditions ambiantes

N'exposez pas l'outil à la pluie. N'exposez pas l'outil à l'humidité. Veillez à ce que l'aire de travail soit bien éclairée. N'utilisez pas l'outil s'il existe un risque d'incendie ou d'explosion, par exemple en présence de liquides ou de gaz inflammables.

Tenez les enfants éloignés

Ne laissez pas les enfants, les visiteurs ou les animaux s'approcher de l'aire de travail ou toucher l'outil.

Portez des vêtements de travail appropriés

Ne pas porter de vêtements flottants ou de bijoux. Ils pourraient être happés par les pièces en mouvement. Lors de travaux à l'extérieur, il est recommandé de porter des gants en caoutchouc et des chaussures à semelle anti-dérapante. Le cas échéant, attachez vos cheveux s'ils sont longs, ou couvrez vous la tête.

Protection

Portez toujours des lunettes de protection. Portez des lunettes de protection et un masque pour protéger le visage si le travail exécuté produit de la poussière ou des copeaux volants. Portez des protections auditives lorsque le niveau sonore semble gênant.

Adoptez une position confortable

Toujours tenir les deux pieds à terre et garder l'équilibre.

Faites preuve de vigilance

Observez votre travail. Faites preuve de bon sens.

Ne pas employer l'outil en cas de fatigue.

Fixez bien la pièce à travailler

Pour plus de sécurité, fixez la pièce à travailler avec un dispositif de serrage ou un étou. Ainsi, vous aurez les deux mains libres pour manier l'outil.

Branchez le dispositif d'extraction de poussière.

Si vous disposez de systèmes pour brancher les dispositifs d'extraction et de ramassage de poussière, assurez-vous qu'ils sont bien branchés et qu'ils fonctionnent correctement.

Enlevez les clés et outils de réglage

Avant de mettre l'outil en marche, retirez les clés et outils de réglage.

Utilisez l'outil adéquat

Le domaine d'utilisation de l'outil est décrit dans le présent manuel. Ne pas utiliser d'outils ou d'accessoires de trop faible puissance pour exécuter des travaux lourds. L'utilisation d'accessoires autres que ceux recommandés dans le présent manuel pourrait entraîner un risque de blessure. Ne forcez pas l'outil.

Attention! L'utilisation d'accessoires autres que ceux recommandés dans le présent manuel pourrait entraîner un risque de blessure.

Contrôlez les dommages éventuels de votre outil

Avant d'utiliser l'outil, vérifiez soigneusement qu'il n'est pas endommagé. Vérifiez l'alignement des pièces en mouvement, leur prise et toute rupture de pièces, tout dommage des protections et des interrupteurs et toute autre condition pouvant affecter le fonctionnement de l'outil. Veillez à ce que l'outil fonctionne correctement et qu'il exécute les tâches pour lesquelles il est prévu. N'utilisez pas l'outil si une pièce est défectueuse. Ne pas utiliser l'outil si l'interrupteur marche/arrêt ne fonctionne pas. Faites réparer ou échangez toute pièce endommagée par un service de réparation agréé.

Ne tentez jamais de le réparer vous-même.

Enlevez la batterie

Le cas échéant, enlevez la batterie lorsque l'outil n'est pas utilisé, avant de changer toute pièce de l'outil ou tout accessoire et avant de procéder à l'entretien.

Évitez tout démarrage involontaire

Ne portez pas l'outil avec un doigt sur l'interrupteur marche/arrêt. Veillez à ce que l'outil soit débranché lorsque vous y insérez la pile.

Ne tirez pas sur le câble d'alimentation

Ne portez jamais le chargeur par le câble et ne tirez pas sur celui-ci pour le débrancher de la prise. Préservez le câble de la chaleur, de l'huile et des arêtes tranchantes.

Rangez vos outils dans un endroit sûr

Rangez les outils, batteries et chargeurs non utilisés dans un endroit sec, élevé et fermé, hors de portée des enfants.

Entretenez vos outils avec soin

Maintenez vos outils affûtés et propres afin de travailler mieux et plus sûrement. Suivez les instructions d'entretien et de changement d'accessoires. Maintenez les poignées et les interrupteurs secs, propres et exempts d'huile et de graisse.

Réparations

Cet outil est conforme aux conditions de sécurité requises. Les réparations devront uniquement être effectuées par des personnes qualifiées utilisant des pièces de rechange d'origine ; en cas contraire, cela pourrait être très dangereux pour l'utilisateur.

Instructions de sécurité supplémentaires pour les batteries et chargeurs

Batteries

- ◆ Ne tentez jamais de l'ouvrir pour quelque raison que ce soit.
- ◆ Ne la mettez pas en contact avec de l'eau.
- ◆ Ne la stockez pas à un endroit où la température peut être supérieure à 40 °C.
- ◆ Chargez uniquement à température ambiante entre 4 °C et 40 °C.
- ◆ Chargez uniquement en utilisant le chargeur fourni avec l'outil (voir caractéristiques techniques).
- ◆ Avant le chargement, veillez à ce que la batterie soit sèche et propre.
- ◆ Utilisez uniquement le type de batterie approprié à l'outil (voir caractéristiques techniques).
- ◆ Lorsque vous jetez des batteries, suivez les instructions données à la section "Protection de l'environnement".
- ◆ Dans des conditions extrêmes, la batterie peut fuir. Si vous remarquez que la batterie a coulé, procédez comme suit:
 - Nettoyez soigneusement le liquide à l'aide d'un chiffon. Évitez le contact avec la peau.
 - En cas de contact avec la peau ou les yeux, suivez les instructions ci-dessous.

Attention! Le liquide de la batterie, une solution d'hydroxyde de potassium à 25-30%, est toxique. En cas de contact avec la peau, rincer abondamment à l'eau. Neutraliser avec un acide doux tel que du citron ou du vinaigre. En cas de contact avec les yeux, rincer abondamment à l'eau au moins pendant 10 minutes. Consulter un médecin.

- ◆ Ne pas incinérer la batterie.
- ◆ Ne pas charger une batterie endommagée.

Chargeurs

- ◆ Utilisez uniquement votre chargeur Black & Decker pour charger les batteries fournies avec votre outil ou de même type et modèle. D'autres batteries pourraient exploser et causer des dommages ou blessures.
- ◆ Ne tentez jamais de charger des batteries non-rechargeables.
- ◆ Remplacez immédiatement les fils électriques défectueux.
- ◆ Ne mettez pas le chargeur en contact avec de l'eau.
- ◆ N'ouvrez pas le chargeur.
- ◆ Ne testez pas le chargeur.



Conçu pour une utilisation à l'intérieur uniquement.

Sécurité électrique



Ce chargeur a une double isolation; un branchement à la terre n'est donc pas nécessaire. Vérifiez si la tension du chargeur correspond à la tension secteur. Ne tentez jamais de remplacer le chargeur par une prise au secteur normale.

Consignes de sécurité supplémentaires pour scies à main électriques.

- ◆ Utilisez toujours le type de lame de scie approprié aux matériaux de la pièce à scier et le bon type de coupe.
- ◆ Utilisez uniquement des lames de scie en parfait état.
- ◆ Éteignez toujours l'outil et attendez que la lame de la scie se soit complètement arrêtée avant de poser l'outil.
- ◆ Vous devez poser l'outil sur le côté quand il est à l'arrêt.
- ◆ Tenez vos mains bien à l'écart de la lame de la scie lorsque vous travaillez.
- ◆ A chaque fois que cela est possible, utilisez des pinces ou un étau pour immobiliser la pièce.
- ◆ Avant de commencer à utiliser l'outil, vérifiez que la partie à découper ne comporte pas d'obstacles, en particulier sur l'envers de coupe.
- ◆ Avant de scier dans des murs ou des planchers, sachez où passent les tuyauteries et les câbles.
- ◆ N'utilisez pas l'outil lorsque vous êtes monté sur un arbre, une échelle ou toute autre surface instable.

Coupe de branchages

- ◆ Prenez garde à la chute de la branche.
- ◆ Avant d'abattre, vérifiez où vont tomber les branches.
- ◆ Tenez-vous les deux pieds à terre pour garder l'équilibre. Portez un casque là où il existe un risque de chute de branches.
- ◆ Lorsque vous coupez une branche en tension, faites attention au recul qui pourrait se produire lorsque la tension se relâche; vous pourriez rester coincé par la scie.
- ◆ Évitez de couper des arbustes ou gaules de petites tailles; les tiges minces peuvent s'accrocher dans la lame et être éjectées vers vous ou vous déséquilibrer.

Caractéristiques

Cet outil comprend toutes ou certaines des caractéristiques suivantes.

1. Interrupteur à variateur de vitesse
2. Bouton de blocage
3. Bouton de déblocage de lame
4. Batterie

Fig. A

5. Chargeur (modèle 3 hr)
6. Boîtier du chargeur

7. Chargeur (modèle 1 hr)
8. Voyant de charge
9. Voyant de fin de charge

Assemblage

Attention ! Avant l'assemblage, enlevez la batterie.

Mise en place et retrait de la batterie (fig. B)

- ◆ Pour mettre la batterie en place (4), alignez-la avec le boîtier sur l'outil. Faites glisser la batterie dans le boîtier et poussez jusqu'à ce qu'elle se mette en place avec un bruit sec.
- ◆ Pour retirer la batterie, appuyez sur le bouton de déverrouillage (10) tout en retirant la batterie du boîtier.

Installation et retrait d'une lame de scie (fig. C -E)

Lame de scie

11. Lame de grande capacité
12. Lame de coupe en courbe
13. Lame de coupe de métal

Pose

- ◆ Placez la lame sur le tenon de positionnement (14).
- ◆ Faites tourner la lame à 90° vers le haut jusqu'à ce qu'elle soit complètement insérée dans la fente de la scie (15) et que le tenon de positionnement soit sur sa position de verrouillage.
- ◆ Vérifiez que la lame est bien posée en essayant de l'enlever sans appuyer sur le bouton de déblocage (3).

Si vous n'arrivez pas à poser la lame, vérifiez que le tenon de positionnement est sur la position correcte, comme indiqué à la fig. E. Sinon, maintenez le bouton de déblocage de lame enfoncé et à l'aide d'un tournevis, placez le tenon de positionnement sur la position correcte.

Retrait

- ◆ Maintenez le bouton de blocage de lame (3) enfoncé et tournez la lame à 90° vers le bas.
- ◆ Retirez la lame par le côté du tenon de positionnement et glissez-la hors de l'outil.
- ◆ Relâchez le bouton de blocage de lame.

Utilisation

Attention ! Laissez l'outil fonctionner à sa propre vitesse.

Ne le surchargez pas.

Chargement de la batterie (fig. A)

La batterie a besoin d'être chargée avant la première utilisation et à chaque fois qu'elle ne produit pas une puissance suffisante pour des travaux facilement effectués auparavant. Lorsque vous chargez la batterie pour la première fois ou suite à une inutilisation prolongée, le chargement ne se fera qu'à 80%. Après plusieurs cycles de chargement et de déchargement, la batterie atteindra sa capacité totale. La batterie peut chauffer pendant le chargement ; cela est normal et n'indique pas de problème particulier.

Attention ! Ne chargez pas la batterie à une température ambiante inférieure à 4 °C ou supérieure à 40 °C.
Température de chargement recommandée : environ 24 °C.

Utilisation du chargeur 3 hr

- ◆ Pour charger la batterie (4), retirez-la de l'outil.
- ◆ Glissez le boîtier du chargeur (6) sur la batterie.
- ◆ Branchez le chargeur (5).

La batterie sera suffisamment chargée après un délai d'environ 3 heures pour une utilisation normale. La batterie est complètement chargée après un délai d'environ 6 heures.

- ◆ Dégagez la batterie du boîtier du chargeur.

Utilisation du chargeur 1 hr

- ◆ Pour charger la batterie (4), retirez-la de l'outil et insérez-la dans le chargeur (7). La batterie ne rentrera dans le chargeur que d'une seule façon. Ne forcez pas. Assurez-vous que la batterie est complètement enclenchée dans le chargeur.
- ◆ Branchez le chargeur.
- ◆ Vérifiez si le voyant rouge de charge (8) s'allume. Si au lieu du voyant rouge c'est le voyant vert indicateur de fin de charge (9) qui s'allume, la batterie est trop chaude et ne peut être chargée. Si cela se produit, enlevez la batterie du chargeur, laissez-la refroidir pendant 1 heure environ et réinsérez-la.

Après environ 1 heure de charge, le voyant rouge de charge (8) s'éteindra et le voyant vert indicateur de fin de charge (9) s'allumera. La batterie sera alors complètement chargée.

- ◆ Enlevez-la du chargeur.

Démarrage et arrêt (fig. F)

- ◆ Pour allumer l'outil, placez les deux boutons de verrouillage (2) sur la position déverrouillée et appuyez sur le sélecteur de vitesse (1).
- ◆ Pour éteindre l'outil, relâchez le sélecteur de vitesse.

Sciage (fig. G)

- ◆ Si possible, tenez toujours l'outil des deux mains.
- ◆ Laissez la lame tourner librement pendant quelques secondes avant de commencer la coupe.

- ◆ Appuyez légèrement sur l'outil pendant que vous sciez.
- ◆ Effectuez un mouvement de va-et-vient comme vous le feriez avec une scie à main. Vous scierez ainsi plus rapidement et plus proprement.

Conseils pour une utilisation optimale

Scier le bois

- ◆ Fixez bien la pièce et retirez tous les clous et objets métalliques.
- ◆ Pour des coupes nettes, dans des stratifiés par exemple, fixez une chute de bois ou une planche au-dessus et en dessous de la pièce et coupez au travers de cette superposition.

Scier du métal

- ◆ Souvenez-vous qu'il est beaucoup plus long de scier des métaux que de scier du bois.
- ◆ Utilisez une lame de scie adaptée pour scier le métal. Utilisez une lame de scie à dents fines pour les métaux ferreux et une lame de scie plus grossière pour les métaux non-ferreux.
- ◆ Pour couper des feuillards de métal fins, fixez une chute de bois sur l'envers de la pièce et découpez à travers cette superposition.
- ◆ Répandez une fine couche d'huile le long de la ligne de coupe avant de scier.

Coupe de branchages

- ◆ Tronçonnez dans le sens vertical et vers le bas, tenez-vous à distance de l'outil.
- ◆ Coupez le plus près possible de la branche principale ou du tronc de l'arbre.

Entretien

Votre outil Black & Decker a été conçu pour fonctionner pendant longtemps avec un minimum d'entretien.

Un fonctionnement continu satisfaisant dépend d'un nettoyage régulier et d'un entretien approprié de l'outil.

Votre chargeur ne nécessite aucun entretien autre qu'un nettoyage régulier.

Attention ! Avant de procéder à tout entretien de l'outil, retirez la batterie. Débranchez le chargeur avant de le nettoyer.

- ◆ Nettoyez régulièrement les orifices de ventilation de votre outil et le chargeur à l'aide d'une brosse douce ou d'un chiffon sec.
- ◆ Nettoyez régulièrement le carter du moteur à l'aide d'un chiffon humide. N'utilisez pas de produit abrasif ou à base de solvant.

Protection de l'environnement

Outils



Black & Decker fournit un dispositif permettant de recycler les produits Black & Decker et des batteries rechargeables lorsqu'ils ont atteint la fin de leur cycle de vie.

Ce service est gratuit. Pour pouvoir profiter de ce service, veuillez retourner votre produit à un réparateur agréé qui se chargera de le collecter pour nous.

Batteries



Les batteries Black & Decker peuvent être rechargées de nombreuses fois. A la fin de leur durée de vie technique, jetez les piles en respectant l'environnement :

- ◆ Videz complètement la batterie, puis retirez-la de l'outil.
- ◆ Les batteries NiCd et NiMH sont recyclables. Apportez-les à votre réparateur agréé ou à un centre de recyclage local.

Pour connaître l'adresse du réparateur agréé le plus proche de chez vous, contactez le bureau Black & Decker à l'adresse indiquée dans ce manuel. Vous pourrez aussi trouver une liste des réparateurs agréés de Black & Decker et de plus amples détails sur notre service après-vente sur le site Internet à l'adresse suivante :

www.2helpU.com

Caractéristiques techniques

	CS143(K)
Voltage	V _{DC} 14,4
Nombre de courses	min ⁻¹ 0 - 4.500
Longueur de course	mm 10
Profondeur max. de coupe	mm
Bois	100
Acier	3
Tuyau en plastique	ø 50
Élagage	ø 50
Cat. no. batterie	A14F
Poids (avec batterie)	kg 2,4

Chargeur	3 hr	1 hr
Tension secteur	V _{AC} 230	230
Temps de chargement approx.	h 3	1

Déclaration de conformité CE

CS143(K)

Black & Decker déclare que ces outils sont conformes aux normes:

98/37/CEE, 89/336/CEE, 73/23/CEE, EN 50260, EN 60335, EN 55014, EN 61000

L_{pA} (pression acoustique): 89 dB(A), L_{WA} (puissance acoustique) 100 dB(A), niveau de vibration main/bras 4,02 m/s²



Kevin Hewitt
Directeur du Développement
Spennymoor, County Durham DL16 6JG,
Royaume-Uni
1-2-2004

Visitez notre site Web www.blackanddecker.fr pour enregistrer votre nouveau produit Black & Decker et être informé des nouveaux produits et des offres spéciales. Pour plus d'informations concernant la marque Black & Decker et notre gamme de produits, consultez notre site www.blackanddecker.fr

Garantie

Black & Decker est confiant dans la qualité de ses produits et vous offre une garantie très étendue. Ce certificat de garantie est un document supplémentaire et ne peut en aucun cas se substituer à vos droits légaux. La garantie est valable sur tout le territoire des Etats Membres de l'Union Européenne et de la Zone de Libre Echange Européenne.

Si un produit Black & Decker s'avère défectueux en raison de matériaux en mauvaises conditions, d'une erreur humaine, ou d'un manque de conformité dans les 24 mois suivant la date d'achat, Black & Decker garantit le remplacement des pièces défectueuses, la réparation des produits usés ou cassés ou remplace ces produits à la convenance du client, sauf dans les circonstances suivantes :

- ◆ Le produit a été utilisé dans un but commercial, professionnel, ou a été loué.
- ◆ Le produit a été mal utilisé ou avec négligence.
- ◆ Le produit a subi des dommages à cause d'objets étrangers, de substances ou à cause d'accidents.
- ◆ Des réparations ont été tentées par des techniciens ne faisant pas partie du service technique de Black & Decker.

Pour avoir recours à la garantie, il est nécessaire de fournir une preuve d'achat au vendeur ou à un réparateur agréé. Pour connaître l'adresse du réparateur agréé le plus proche de chez vous, contactez le bureau Black & Decker à l'adresse indiquée dans ce manuel. Vous pourrez aussi trouver une liste des réparateurs agréés de Black & Decker et de plus amples détails sur notre service après-vente sur le site Internet à l'adresse suivante : www.2helpU.com

Uso previsto

La sega Black & Decker è stata progettata per segare legno, plastica e fogli di metallo.

L'utensile è stato progettato per un uso individuale.

Istruzioni di sicurezza

- ◆ **Attenzione!** Quando si adoperano utensili a batteria, per ridurre il rischio di incendi, fuoriuscita di liquido dalle batterie, danni personali e materiali, è necessario osservare alcune precauzioni di sicurezza fondamentali, incluso le seguenti.
- ◆ Prima di adoperare l'utensile, leggere attentamente le istruzioni di cui al presente manuale.
- ◆ Conservare questo manuale di istruzioni per successive consultazioni.

Tenere pulita l'area di lavoro

Ambienti e banchi di lavoro in disordine possono essere causa d'incidenti.

Tener presenti le caratteristiche dell'ambiente di lavoro

Non lasciare l'utensile sotto la pioggia. Non usare l'utensile in ambienti carichi di umidità. Tenere ben illuminata l'area di lavoro. Non usare l'utensile quando vi sia rischio di provocare un incendio o una esplosione, per es. in luoghi con atmosfera gassosa o infiammabile.

Tenere i bambini lontani dall'area di lavoro

Non permettere ai bambini, ad altre persone o ad animali di avvicinarsi alla zona di lavoro o di toccare l'utensile.

Usare il vestiario appropriato

Evitare l'uso di abiti svolazzanti, catenine, ecc. in quanto potrebbero rimanere impigliati nelle parti mobili dell'utensile. Lavorando all'aperto indossare guanti di gomma e scarpe con soles antisdrucciolo. Raccogliere i capelli se si portano lunghi.

Protezione personale

Indossate occhiali di sicurezza. Indossate una mascherina contro la polvere ogni volta che l'uso dell'utensile provochi polvere o schegge. Indossate cuffie acustiche quando considerate che il livello acustico sia troppo alto.

Non sbilanciarsi

Mantenere sempre un buon equilibrio evitando posizioni malsicure.

Stare sempre attenti

Prestare attenzione a quanto si sta facendo. Usare il proprio buon senso. Non utilizzare l'utensile quando si è stanchi.

Bloccare il pezzo da lavorare

Usare pinze o morse per bloccare il pezzo da lavorare. Ciò aumenta la sicurezza e consente di mantenere entrambe le mani libere per operare meglio.

Connettere l'apparecchiatura aspirapolvere

Se sono forniti i dispositivi per la connessione delle macchine per l'aspirazione e la raccolta della polvere, verificare che vengano collegate e utilizzate correttamente.

Non lasciare sull'utensile chiavi o strumenti di misura

Prima di mettere in funzione l'utensile abbiate cura di togliere chiavi e altri strumenti.

Adoperare l'utensile adatto alla situazione

L'utilizzo previsto è quello indicato nel presente manuale.

Non forzare utensili e accessori di potenza limitata impiegandoli per lavori destinati ad utensili di maggiore potenza. Non forzare l'utensile.

Attenzione! L'uso di accessori o attrezzature diversi o l'impiego del presente utensile per scopi diversi da quelli indicati nel presente manuale d'uso comportano il rischio di infortuni.

Controllare che non vi siano parti danneggiate

Prima dell'uso, controllare che l'utensile non presenti danni. Controllare se ci sono parti non allineate o parti mobili con gioco, pezzi rotti, danni alle protezioni o agli interruttori e qualsiasi altra condizione che possa incidere sul funzionamento dell'utensile. Accertare che l'utensile funzioni come previsto e che venga impiegato per lo scopo per cui è stato progettato. Non usate l'utensile se presenta elementi danneggiati o difettosi. Non impiegare l'utensile se non è possibile accenderlo e spegnerlo mediante l'interruttore. Eventuali componenti difettosi o danneggiati vanno sostituiti o riparati da un tecnico autorizzato. Non tentare mai di effettuare delle riparazioni.

Estrarre la batteria

Togliere la batteria quando l'utensile non è in uso, o prima di cambiare pezzi, accessori o complementi o prima di eseguire lavori di manutenzione.

Evitate di avviare l'utensile quando non è necessario

Non portate l'utensile con il dito sull'interruttore. Assicuratevi che l'utensile sia spento quando inserite le batterie nell'utensile.

Non forzate il cavo di collegamento elettrico

Non usate il cavo elettrico del carica batterie per muoverlo e non tirate il cavo per scollegarlo dalla presa. Mantenete il cavo lontano da fonti di calore, olio e spigoli taglienti.

Conservazione dell'utensile dopo l'uso

Quando non è in uso, l'utensile, le batterie e i caricabatterie devono essere riposti in un luogo asciutto e fuori dalla portata dei bambini.

Mantenere l'utensile con cura

Mantenere gli utensili da taglio affilati e puliti in modo da ottenere una miglior e più sicura resa. Seguire le istruzioni di manutenzione e cambio di accessori. Mantenere le impugnature e gli interruttori asciutti, puliti e senza tracce di olio o grassi.

Riparazioni

Questo utensile è conforme ai relativi requisiti di sicurezza. Le riparazioni devono essere eseguite soltanto da personale qualificato e con pezzi di ricambio originali, per evitare di esporre gli utenti a considerevoli rischi.

Istruzioni di sicurezza aggiuntive per batterie e caricabatteria

Batterie

- ◆ Non tentate di aprirle in nessuna circostanza.
- ◆ Non fatele bagnare.
- ◆ Non riponetele in luoghi dove la temperatura possa oltrepassare i 40 °C.
- ◆ Caricatele solo ad una temperatura ambientale compresa tra i 4 °C ed i 40 °C.
- ◆ Caricate la batteria usando soltanto il caricabatteria fornito con l'utensile (vedete i dati tecnici).
- ◆ Prima di caricare la batteria assicuratevi che sia pulita ed asciutta.
- ◆ Usate soltanto il tipo adeguato di batteria per l'utensile (vedete i dati tecnici).
- ◆ Prima di gettare le batterie esaurite, vi preghiamo di leggere le istruzioni specificate nella sezione "Protezione dell'ambiente".
- ◆ In condizioni estreme, la batteria può perdere liquido. Nel caso doveste notare la presenza di liquido sulla batteria, procedere come di seguito specificato:
 - Asciugate il liquido con un panno. Evitate il contatto con la pelle.
 - In caso di contatto con la pelle o con gli occhi, seguite le istruzioni di seguito riportate.

Attenzione! Il liquido delle batterie, una soluzione al 25-30% di idrossido di potassio, può essere pericoloso. In caso di contatto con la pelle, lavare immediatamente con abbondante acqua, quindi neutralizzarne l'azione con una soluzione leggermente acida come succo di limone o aceto. In caso di contatto con gli occhi, risciacquare abbondantemente con acqua pulita per 10 minuti almeno. Rivolgersi a un medico.

- ◆ Non incenerire la batteria.
- ◆ Non caricate batterie danneggiate.

Caricabatteria

- ◆ Usate il vostro caricabatteria Black & Decker per caricare le batterie fornite con il vostro utensile. Altri tipi di batterie potrebbero esplodere, provocando danni personali e materiali.
- ◆ Non tentate mai di ricaricare una batteria non ricaricabile.
- ◆ Cambiate immediatamente i cavi difettosi.
- ◆ Fate attenzione a non bagnare il caricabatteria.
- ◆ Non aprite il caricabatteria.
- ◆ Non testare il caricabatteria.



Da usarsi soltanto in interni.

Sicurezza elettrica



Il caricatore è fornito di doppio isolamento, per la quale non è richiesta la messa a terra. Assicurarsi che la tensione del caricatore corrisponda a quella erogata dalla rete. Non cercate di rimpiazzare il carica batteria inserendo l'utensile in una presa di corrente.

Ulteriori norme di sicurezza per le seghe manuali

- ◆ Usare sempre lame di tipo adatto al materiale in lavorazione e al tipo di taglio.
- ◆ Usate soltanto lame in perfetto stato.
- ◆ Prima di poggiare la sega, spegnerla e attendere sempre che la lama si arresti completamente.
- ◆ Quando non è in funzione, l'utensile deve essere poggiato lungo il lato.
- ◆ Tenere le mani lontane dalla lama mentre si lavora.
- ◆ Quando possibile, utilizzare dei fermi o una morsa per fissare in posizione il pezzo da lavorare.
- ◆ Prima dell'uso verificare che l'area in cui si esegue il taglio sia sgombra da ostacoli, soprattutto sul lato opposto al taglio.
- ◆ Prima di segare pareti o pavimenti, controllare l'ubicazione di cavi elettrici e tubazioni non visibili.
- ◆ Non utilizzare l'utensile se ci si trova su un albero, su una scala o su qualsiasi altra superficie poco stabile.

Potatura

- ◆ Quando si recidono dei rami, identificare il punto in cui cadranno.
- ◆ Mettere a punto un programma di sicurezza preliminare che consenta di allontanarsi dai rami che stanno per essere abbattuti.
- ◆ Fare attenzione ai piedi. In caso di rischio di caduta rami, indossare un casco di protezione.
- ◆ Quando si recide un ramo che è sotto tensione, attenzione al ritorno elastico, per non restare colpiti quando viene a mancare la tensione.
- ◆ Evitare di recidere piccoli cespugli e giovani pertiche perché la catena della sega può incepparsi nel materiale sottile e scizzare verso l'operatore oppure fargli perdere l'equilibrio.

Funzioni

Quest'utensile ha alcune o tutte le funzioni elencate di seguito.

1. Interruttore a velocità variabile
2. Pulsante di sblocco
3. Pulsante di sgancio lama
4. Batteria

Fig. A

5. Caricabatteria (modello 3 h)
6. Base del caricabatteria
7. Caricabatteria (modello 1 h)
8. Indicatore di carica
9. Indicatore fine carica

Montaggio

Attenzione! Prima di montaggio, rimuovere la batteria.

Inserimento ed estrazione della batteria (fig. B)

- ◆ Per inserire la batteria (4), allinearla alla base sull'utensile. Fare scivolare la batteria nella base fino a che non s'inserisce con uno scatto.
- ◆ Per estrarre la batteria, premere il pulsante di sgancio (10) e, contemporaneamente, estrarla dalla base.

Inserimento e smontaggio di una lama (figg. C - E)**Lama della sega**

11. Lama di grande capacità
12. Lama di taglio ricurva
13. Lama di taglio in metallo

Montaggio

- ◆ Posizionare la lama sul perno di riferimento (14).
- ◆ Ruotare la lama a 90° verso l'alto, finché non alloggia perfettamente nell'apposita cava (15) e finché il perno di riferimento non è bloccato.
- ◆ Per verificare se la lama è ben salda, tentare sempre di rimuoverla senza premere il pulsante di sgancio (3).

Se non si riesce a installare la lama, controllare se il perno di riferimento è nella posizione corretta, mostrata nella fig. E. In caso negativo, premere il pulsante di sgancio lama e utilizzare un cacciavite per ruotare il perno di riferimento nella posizione corretta.

Smontaggio

- ◆ Tenere premuto il pulsante di sgancio (3) e ruotare la lama in basso fino a 90°.
- ◆ Spostare la lama mettendola di lato al perno di riferimento e farla scivolare via dall'utensile.
- ◆ Rilasciare il pulsante di sgancio lama.

Uso

Attenzione! Lasciare che l'utensile lavori al suo ritmo, senza sovraccaricarlo.

Caricamento della batteria (fig. A)

E' necessario caricare la batteria prima del primo utilizzo e ogniqualvolta che non eroghi la sufficiente energia per eseguire un lavoro che prima veniva eseguito con facilità. Quando si carica la batteria per la prima volta, o dopo un lungo periodo d'inattività, accetterà soltanto l'80% della sua capacità. Dopo diversi cicli di carica e scarica la batteria raggiunge la sua piena capacità. La batteria si può riscaldare durante il processo di carica; è normale e non è indicativo di nessun problema.

Attenzione! Non caricare la batteria ad una temperatura ambiente inferiore ai 4 °C o superiore ai 40 °C. La temperatura di carica consigliata è di circa 24 °C.

Uso del caricabatteria da 3 h

- ◆ Per caricare la batteria (4), rimuoverla dall'utensile.
- ◆ Fare scivolare la base del caricabatteria (6) sulla batteria.
- ◆ Inserire nella presa la spina del caricabatteria (5).

Dopo circa tre ore la batteria sarà sufficientemente carica da consentire l'uso per applicazioni regolari. La batteria sarà completamente carica dopo circa sei ore.

- ◆ Togliere dalla batteria la base del caricabatteria.

Uso del caricabatteria da 1 h

- ◆ Per caricare la batteria (4), rimuoverla dall'utensile ed inserirla nel caricatore (7). La batteria s'inserisce in un solo verso nel caricabatteria. Assicuratevi che la batteria sia perfettamente inserita nel caricabatteria.
- ◆ Inserite la spina del caricabatteria.
- ◆ Controllare se la spia rossa della carica (8) s'illumina. Se, invece, s'illumina la spia verde di fine carica (9), significa che la batteria è troppo calda e non può essere caricata. In questo caso, togliere la batteria dal caricabatteria, farla raffreddare per circa 1 ora e poi reinserirla nel caricabatteria.

Dopo circa 1 ora di carica, la spia rossa di carica (8) si spegnerà e si accenderà la spia verde di fine carica (9). A questo punto la batteria è completamente carica.

- ◆ Togliere la batteria dal caricabatteria.

Avviamento e spegnimento (fig. F)

- ◆ Per accendere l'utensile, spostare il pulsante di blocco (2) in posizione sbloccata e spingere l'interruttore variatore di velocità (1).
- ◆ Per spegnere l'utensile, rilasciare l'interruttore variatore di velocità.

Taglio (fig. G)

- ◆ Se possibile, mantenere sempre l'utensile con entrambe le mani.
- ◆ Prima di iniziare il taglio, lasciare funzionare a vuoto la lama per pochi secondi.

- ◆ Quando si esegue il taglio, esercitare solo una leggera pressione sull'utensile.
- ◆ Effettuare lo stesso movimento alternativo che si usa con una sega manuale. In questo modo si ottiene un taglio più pulito e più rapidamente.

Consigli per un'ottima utilizzazione

Taglio del legno

- ◆ Fermare saldamente il pezzo da lavorare ed estrarne tutti i chiodi e altri eventuali oggetti metallici.
- ◆ Se è necessario ridurre al minimo la scheggiatura, ad esempio se si tagliano dei laminati, fissare un pezzo di compensato o di truciolato su ogni lato del pezzo da lavorare e tagliare l'insieme risultante.

Taglio di metallo

- ◆ Il taglio del metallo richiede molto più tempo del taglio del legno.
- ◆ Utilizzare una lama adatta a segare il metallo. Usare una lama da sega con denti sottili per il taglio di metalli ferrosi e una lama più spessa per i materiali non ferrosi.
- ◆ Quando si lavora con metallo in fogli, fissare un pezzo di compensato sulla superficie posteriore del foglio e tagliare l'insieme risultante.
- ◆ Prima di procedere con il taglio, lubrificare la linea di taglio con uno strato di olio.

Potatura

- ◆ Il taglio deve essere eseguito verso il basso e in direzione opposta al proprio corpo.
- ◆ Eseguire il taglio vicino al ramo principale o al corpo dell'albero.

Manutenzione

Questo utensile Black & Decker è stato progettato per funzionare a lungo con un minimo di manutenzione. Per ottenere prestazioni sempre soddisfacenti occorre avere cura dell'utensile e sottoporlo a manutenzione periodica.

Il caricabatteria non richiede alcun tipo di manutenzione oltre a una regolare pulizia.

Attenzione! Prima di eseguire qualsiasi tipo di manutenzione dell'utensile, estrarne le batterie. Scollegare il caricatore dalla presa elettrica prima di pulirlo.

- ◆ Pulite regolarmente con una spazzola morbida o un panno asciutto le prese di ventilazione dell'utensile e del caricabatteria.
- ◆ Il vano motore va pulito regolarmente con un panno umido. Non usare materiali abrasivi o detergenti a base di solventi.

Protezione dell'ambiente

Utensili



Black & Decker offre ai suoi clienti la possibilità di riciclare i prodotti Black & Decker e le batterie ricaricabili che hanno esaurito la loro vita di servizio.

Il servizio viene offerto gratuitamente. Per utilizzarlo, è sufficiente restituire il prodotto a qualsiasi tecnico autorizzato, incaricato della raccolta per conto dell'azienda.

Batterie



Le batterie della Black & Decker si possono ricaricare più volte: al termine della loro vita di servizio, vanno messe negli appositi contenitori, per garantirne lo smaltimento nel rispetto dell'ambiente.

- ◆ Quando è completamente esaurita, la batteria va estratta dall'utensile.
- ◆ Le batterie NiCd e NiMH sono riciclabili e vanno consegnate a qualsiasi tecnico autorizzato o portate presso un impianto di riciclaggio.

Per individuare il tecnico autorizzato più vicino, rivolgersi alla sede Black & Decker locale, presso il recapito indicato nel presente manuale. Altrimenti un elenco completo di tutti i tecnici autorizzati Black & Decker e i dettagli completi sui contatti e i servizi post-vendita sono disponibili su Internet presso: www.2helpU.com

Dati tecnici

	CS143(K)	
Tensione	V_{DC}	14,4
Numero di corse	min^{-1}	0 - 4.500
Lunghezza della corsa	mm	10
Profondità massima di taglio	mm	
Legno		100
Acciaio		3
Tubo in plastica	\varnothing	50
Potatura	\varnothing	50
Cat. no. batteria		A14F
Peso (con batteria)	kg	2,4

Caricabatteria	3 h	1 h
Tensione di rete	V_{AC} 230	230
Tempo approssimato di carica	h 3	1

Dichiarazione CE di conformità

CS143(K)

Black & Decker dichiara che questi utensili sono stati costruiti
in conformità a:

98/37/CEE, 89/336/CEE, 73/23/CEE, EN 50260, EN 60335,
EN 55014, EN 61000

L_{pA} (rumorosità): 89 dB(A), L_{WA} (potenza sonora) 100 dB(A),
vibrazioni mano-braccio 4,02 m/s²



Kevin Hewitt
Direttore di Ricerca e Sviluppo
Spennymoor, County Durham DL16 6JG,
United Kingdom
1-2-2004

Garanzia

Certa della qualità dei suoi prodotti, Black & Decker offre una garanzia eccezionale. Il presente certificato di garanzia è complementare ai diritti statutari e non li pregiudica in alcun modo. La garanzia è valida entro il territorio degli Stati membri dell'Unione Europea e dell'EFTA (European Free Trade Area).

Se un prodotto Black & Decker risulta difettoso per qualità del materiale, della costruzione o per mancata conformità entro 24 mesi dalla data di acquisto, Black & Decker garantisce la sostituzione delle parti difettose, provvede alla riparazione dei prodotti se ragionevolmente usurati oppure alla loro sostituzione, in modo da ridurre al minimo il disagio del cliente a meno che:

- ◆ Il prodotto non sia stato destinato ad usi commerciali, professionali o al noleggio;
- ◆ Il prodotto non sia stato usato in modo improprio o scorretto;
- ◆ Il prodotto non abbia subito danni causati da oggetti o sostanze estranee oppure incidenti;
- ◆ Il prodotto non abbia subito tentativi di riparazione non effettuati da tecnici autorizzati né dall'assistenza Black & Decker.

Per attivare la garanzia è necessario esibire la prova comprovante l'acquisto al venditore o al tecnico autorizzato. Per individuare il tecnico autorizzato più vicino, rivolgersi alla sede Black & Decker locale, presso il recapito indicato nel presente manuale. Altrimenti un elenco completo di tutti i tecnici autorizzati Black & Decker e i dettagli completi sui contatti e i servizi post-vendita sono disponibili su Internet presso: **www.2helpU.com**

I clienti che desiderano registrare il nuovo prodotto Black & Decker e ricevere gli aggiornamenti sui nuovi prodotti e le offerte speciali, sono invitati a visitare il sito Web (**www.blackanddecker.it**). Ulteriori informazioni sul marchio e la gamma di prodotti Black & Decker sono disponibili all'indirizzo **www.blackanddecker.it**

Gebruik volgens bestemming

Uw Black & Decker zaag is ontworpen voor het zagen van hout, kunststof en metaal.
Deze machine is uitsluitend bestemd voor consumentengebruik.

Veiligheidsvoorschriften

- ◆ **Waarschuwing!** Bij het gebruik van accugevoede machines dienen ter bescherming tegen brandgevaar, vrijkomen van accuvloeistof, letsel en materiële schade altijd gepaste veiligheidsmaatregelen in acht te worden genomen, waaronder de volgende veiligheidsvoorschriften.
- ◆ Lees de gebruiksaanwijzing aandachtig door voordat u met de machine gaat werken.
- ◆ Bewaar deze instructies zorgvuldig!

Zorg voor een opgeruimde werkomgeving

Een rommelige werkomgeving leidt tot ongelukken.

Houd rekening met omgevingsinvloeden

Stel de machine niet bloot aan regen. Gebruik de machine niet in een vochtige of natte omgeving. Zorg dat de werkomgeving goed is verlicht. Gebruik de machine niet op plaatsen waar brand- of explosiegevaar bestaat, b.v. in de buurt van brandbare vloeistoffen of gassen.

Houd kinderen uit de buurt

Houd kinderen, bezoekers en dieren buiten het werkgebied en laat ze de machine niet aanraken.

Draag geschikte werkkleding

Draag geen wijde kleding of loshangende sieraden. Deze kunnen door de bewegende delen worden gegrepen. Draag bij het werken buitenshuis bij voorkeur rubber werkhandschoenen en schoenen met profielzolen. Houd lang haar bijeen.

Persoonlijke bescherming

Draag altijd een veiligheidsbril. Draag een gezichts- of stofmasker bij werkzaamheden waarbij stofdeeltjes of spanen vrijkomen. Draag altijd gehoorbescherming als het geluidsniveau onaangenaam hoog is.

Zorg voor een veilige houding

Zorg altijd voor een juiste, stabiele houding.

Blijf voortdurend oplettend

Houd uw aandacht bij uw werk. Ga met verstand te werk. Gebruik de machine niet als u niet geconcentreerd bent.

Klem het werkstuk goed vast

Gebruik klemmen of een bankschroef om het werkstuk te fixeren. Dit is veiliger, bovendien kan de machine dan met beide handen worden bediend.

Sluit de uitrusting van de stofafvoer aan

Indien hulpmiddelen zijn meegeleverd voor de aansluiting van stofafvoer en voorzieningen voor stofopvang, zorg dan dat deze zijn aangesloten en naar behoren worden gebruikt.

Verwijder sleutels en hulpgereedschappen

Controleer vóór het inschakelen altijd of sleutels en andere hulpgereedschappen zijn verwijderd.

Gebruik de juiste machine

Het gebruik volgens bestemming is beschreven in deze handleiding. Gebruik geen te lichte machine of hulpstukken voor te zwaar werk. De machine werkt beter en veiliger indien u deze gebruikt voor het beoogde doel. Overbelast de machine niet.

Waarschuwing! Gebruik ter voorkoming van lichamelijk letsel uitsluitend de in deze gebruiksaanwijzing aanbevolen accessoires en hulpstukken. Gebruik de machine uitsluitend volgens bestemming.

Controleer de machine op beschadigingen

Controleer de machine voor gebruik op schade. Controleer of alle bewegende delen correct gemonteerd zijn, of er geen onderdelen gebroken zijn, of er geen beschermkappen en schakelaars beschadigd zijn en of er andere gebreken zijn die invloed op de werking van de machine zouden kunnen hebben. Vergewis u er van dat de machine correct werkt. Gebruik de machine niet als enig onderdeel defect is. Gebruik de machine niet als de aan/uit-schakelaar niet werkt. Defecte onderdelen dienen door een erkend servicecentrum te worden gerepareerd of vervangen. Probeer nooit om de machine zelf te repareren.

Verwijder de accu

Neem de accu van de machine als u de machine niet gebruikt, voordat u gereedschappen, accessoires of onderdelen van de machine verwisselt en voordat u onderhoud aan de machine uitvoert.

Voorkom onbedoeld inschakelen

Draag de machine niet met uw vingers aan de aan/uit-schakelaar. Vergewis u er van dat de machine is uitgeschakeld als u de accu aanbrengt.

Misbruik het snoer niet

Draag de oplader nooit aan het snoer. Trek niet aan het snoer om de stekker uit het stopcontact te verwijderen. Houd het snoer uit de buurt van warmtebronnen, olie en scherpe randen.

Berg de machine veilig op

Berg de machine, oplader en accu na gebruik op in een droge ruimte, buiten het bereik van kinderen.

Onderhoud de machine met zorg

Houd snijgereedschappen scherp en schoon om beter en veiliger te kunnen werken. Houdt u aan de instructies met betrekking tot het onderhoud en het vervangen van accessoires. Houd de handgrepen en schakelaars droog en vrij van olie en vet.

Reparaties

Deze machine voldoet aan de geldende veiligheidseisen. Reparaties mogen uitsluitend worden uitgevoerd door bevoegde vakmensen en met behulp van originele reserve-onderdelen; anders kan er een aanzienlijk gevaar voor de gebruiker ontstaan.

Aanvullende veiligheidsvoorschriften voor accu's en opladers

Accu's

- ◆ Probeer nooit een accu te openen.
- ◆ Stel accu's niet aan water bloot.
- ◆ Bewaar accu's niet op plaatsen waar de temperatuur 40 °C kan overschrijden.
- ◆ Laad accu's uitsluitend op bij een omgevingstemperatuur tussen 4 °C en 40 °C.
- ◆ Laad accu's uitsluitend op met behulp van de meegeleverde oplader (zie technische gegevens).
- ◆ Controleer voor het opladen of de accu droog en schoon is.
- ◆ Gebruik het juiste type accu voor de machine (zie technische gegevens).
- ◆ Volg bij het afdanken van accu's de instructies in de paragraaf "Milieu" op.
- ◆ Onder extreme gebruiksomstandigheden kan er vloeistof uit de accu vrijkomen. Als u vloeistof op de accu opmerkt, gaat u als volgt te werk:
 - Verwijder met behulp van een doekje voorzichtig de vloeistof van de accu. Vermijd huidcontact.
 - Als de vloeistof toch in aanraking komt met de huid of de ogen, volgt u de onderstaande instructies op.

Waarschuwing! De accuvloeistof bestaat uit een 25-30 % oplossing van kaliumhydroxide en kan gevaarlijk zijn. Indien accuvloeistof met de huid in aanraking is gekomen, spoel dan de huid onmiddellijk met water af. Neutraliseer de vloeistof met een zwak zuur zoals citroensap of azijn. Indien de accuvloeistof in de ogen is gekomen, spoel de ogen dan gedurende minimaal 10 minuten met schoon stromend water. Raadpleeg vervolgens een arts.

- ◆ Verbrand de accu nooit.
- ◆ Probeer nooit een beschadigde accu op te laden.

Opladers

- ◆ Gebruik uw Black & Decker oplader uitsluitend voor het opladen van accu's van het meegeleverde type. Andere accu's kunnen barsten, wat tot letsel en materiële schade kan leiden.
- ◆ Probeer nooit om niet oplaadbare batterijen op te laden.
- ◆ Laat een defect netsnoer onmiddellijk vervangen.
- ◆ Stel de oplader niet aan water bloot.
- ◆ Open de oplader niet.
- ◆ Steek geen voorwerpen in het inwendige van de oplader.



Uitsluitend voor gebruik binnenshuis.

Elektrische veiligheid



Uw oplader is dubbel geïsoleerd. Een aarddraad is daarom niet vereist. Controleer of de ingangsspanning van de oplader overeenkomt met de netspanning. Vervang de oplader nooit door een netstekker.

Extra veiligheidsvoorschriften voor handzaagmachines

- ◆ Gebruik altijd het geschikte type zaagblad voor het te bewerken materiaal en de te verrichten zaagsnede.
- ◆ Gebruik alleen zaagbladen in perfecte conditie.
- ◆ Schakel altijd de machine uit en wacht altijd tot het zaagblad volledig tot stilstand is gekomen voordat u de machine neerlegt.
- ◆ Indien niet in gebruik, dient de machine op de zijkant te worden neergelegd.
- ◆ Houd uw handen weg van het zaagblad tijdens de werkzaamheden.
- ◆ Gebruik indien mogelijk klemmen of een bankschroef om het werkstuk vast te zetten.
- ◆ Verzeker u er voor gebruik van dat het werkgebied vrij van obstakels is, vooral aan de overzijde van de zaagsnede.
- ◆ Let bij het zagen in muren of vloeren op de verborgen pijpleidingen en bedrading.
- ◆ Gebruik de machine niet als u zich in een boom bevindt, op een ladder, of op enig andere, onstabiele ondergrond.

Het zagen van takken

- ◆ Houd er rekening mee waar de tak zal vallen.
- ◆ Plan van tevoren een veilige uitweg, uit de buurt van vallende takken.
- ◆ Zorg altijd voor een juiste, stabiele houding. Draag een veiligheidshelm waar gevaar voor vallende takken bestaat.
- ◆ Wanneer u een tak zaagt die onder spanning staat, moet u er rekening mee houden dat deze kan terugspringen, zodat u dan niet wordt geraakt.
- ◆ Zaag niet in kort struikgewas of jong hout, want dun materiaal kan in het zaagblad vast komen te zitten en naar u toe zwiepen of u uit balans trekken.

Onderdelen

Al naar gelang de uitvoering beschikt deze machine over de volgende onderdelen.

1. Schakelaar voor elektronisch regelbaar toerental
2. Ontgrendelingsknop
3. Ontgrendelingsknop voor zaagblad
4. Accu

Fig. A

5. Oplader (3-uursmodel)
6. Opladerhouder
7. Oplader (1-uursmodel)

8. Oplaadindicator
9. Indicator einde oplaadtijd

Montage

Waarschuwing! Neem voor de montage de accu van de machine.

Aanbrengen en verwijderen van de accu (fig. B)

- ◆ Om de accu (4) aan te brengen, houdt u hem voor de houder in de machine. Schuif de accu in de houder en duw deze aan totdat hij vastklikt.
- ◆ Druk om de accu te verwijderen de ontgrendelingsknop (10) in en trek tegelijkertijd de accu uit de houder.

Monteren en verwijderen van een zaagblad (fig. C - E)

Zaagblad

11. Zaagblad voor lange zaagsneden
12. Zaagblad voor ronde zaagsneden
13. Zaagblad voor metaalzagen

Montage

- ◆ Plaats het blad over de fixeerven (14).
- ◆ Draai het blad 90° omhoog totdat het volledig in de zaagbladsleuf (15) zit en de fixeerven in de vergrendelde positie zit.
- ◆ Vergewis u ervan dat het blad goed vastzit. Probeer daartoe het blad te verwijderen zonder de knop voor het ontgrendelen van het zaagblad (3) in te drukken.

Controleer indien u het blad niet kunt monteren of de positie van de fixeerven in de juiste positie staat zoals afgebeeld in fig. E. Indien dit niet het geval is, houdt u de knop voor het ontgrendelen van het zaagblad ingedrukt en draait de fixeerven met behulp van een schroevendraaier in de juiste positie.

Verwijderen

- ◆ Houd de knop voor het ontgrendelen van het zaagblad (3) ingedrukt en draai het blad 90° omlaag.
- ◆ Neem het blad zijwaarts van de fixeerven en schuif het uit de machine.
- ◆ Laat de knop voor het ontgrendelen van het zaagblad los.

Gebruik

Waarschuwing! Laat de machine op haar eigen tempo werken. Niet overbelasten.

Opladen van de accu (fig. A)

De accu moet worden opgeladen voor het eerste gebruik alsmede zodra hij niet meer genoeg energie levert voor werkzaamheden die eerder moeiteloos konden worden verricht.

Als u de accu voor de eerste keer of na langdurige opslag oplaadt, zal deze slechts voor ca. 80% worden opgeladen. Na een aantal laad- en ontlad-cycli wordt de accu echter compleet opgeladen. Tijdens het opladen kan de accu warm aanvoelen. Dit is normaal en duidt niet op een defect.

Waarschuwing! Laad de accu niet op bij omgevingstemperaturen onder 4 °C of boven 40 °C. Aanbevolen oplaadtemperatuur: ca. 24 °C.

Gebruiken van de 3-uurslader

- ◆ Verwijder de accu (4) uit de machine om hem op te laden.
 - ◆ Schuif de opladerhouder (6) op de accu.
 - ◆ Steek de stekker van de oplader (5) in het stopcontact.
- Na ongeveer 3 uur laden is de accu voldoende opgeladen voor normaal gebruik. Na ongeveer 6 uur laden is de accu volledig opgeladen.
- ◆ Verwijder de opladerhouder van de accu.

Gebruiken van de 1-uurslader

- ◆ Om de accu (4) op te laden, haalt u deze uit de machine en steekt hem in de oplader (7). De accu past slechts op één manier in de oplader. Niet forceren. Verzeker u ervan dat de accu volledig in de oplader is geplaatst.
 - ◆ Steek de stekker van de oplader in het stopcontact.
 - ◆ Controleer of de rode oplaadindicator (8) brandt. Als de groene indicator einde oplaadtijd (9) brandt, is de accu te heet en kan deze niet worden opgeladen. Indien dit gebeurt, haalt u de accu uit de oplader en laat hem ongeveer 1 uur afkoelen voordat u de accu terugplaatst.
- Na ongeveer 1 uur opladen dooft de rode oplaadindicator (8) en gaat de groene indicator einde oplaadtijd (9) branden. De accu is nu volledig opgeladen.
- ◆ Verwijder de accu uit de oplader.

Aan- en uitschakelen (fig. F)

- ◆ Om de machine in te schakelen, duwt u de ontgrendelingsknop (2) naar de ontgrendelde stand en knijpt u de variabele-snelheidsschakelaar (1) in.
- ◆ Om de machine uit te schakelen, laat u de variabele-snelheidsschakelaar los.

Zagen (fig. G)

- ◆ Houd de machine indien mogelijk altijd met beide handen vast.
- ◆ Laat het zaagblad een paar seconden vrij draaien voordat u een zaagsnede maakt.
- ◆ Oefen alleen een lichte druk uit op de machine tijdens het maken van de zaagsnede.
- ◆ Pas dezelfde heen en weer-beweging toe als bij een gewone handzaag. Zo verkrijgt u een snelle en mooie zaagsneden.

Tips voor optimaal gebruik

Hout schuren

- ◆ Klem het werkstuk stevig vast en verwijder alle spijkers en metalen voorwerpen.
- ◆ Als versplintering geminimaliseerd moet worden, zoals bij het verzagen van laminaten, klemt u een stuk afvalhout of hardboard aan beide kanten van het werkstuk en zaagt u door deze "sandwich".

Zagen van metaal

- ◆ Bedenk dat het zagen van metaal veel meer tijd vraagt dan het zagen van hout.
- ◆ Gebruik een zaagblad dat geschikt is voor het zagen van metaal. Gebruik een fijngetand zaagblad voor ferrometalen en een grover zaagblad voor non-ferrometalen.
- ◆ Voor het zagen van dun plaatmateriaal klemt u een stuk afvalhout tegen de achterkant van het werkstuk en zaagt u door deze "sandwich".
- ◆ Smeer een oliefilm langs de zaagsnede.

Het zagen van takken

- ◆ Zaag naar beneden en van uw lichaam af.
- ◆ Maak de zaagsnede dicht bij de hoofdtak of de stam.

Onderhoud

Uw Black & Decker machine is ontworpen om gedurende langere periode te functioneren met een minimum aan onderhoud. Voortdurend tevreden gebruik is afhankelijk van correct onderhoud en regelmatig schoonmaken. Uw oplader heeft geen ander onderhoud dan een regelmatig reiniging.

Waarschuwing! Verwijder de accu van de machine alvorens onderhoudswerkzaamheden uit te voeren. Koppel voor het reinigen van de oplader de netstekker los van het lichtnet.

- ◆ Reinig regelmatig de ventilatieopeningen van de machine en oplader met behulp van een zachte borstel of een droge doek.
- ◆ Reinig regelmatig de behuizing van de motor met een vochtige doek. Gebruik geen schuur- of oplosmiddel.

Milieu

Machines



Black & Decker biedt de mogelijkheid tot recyclen van afgedankte Black & Decker producten en accu's.

Deze service is kosteloos. Om gebruik van deze service te maken, dient u het product aan een van onze servicecentra te sturen, die voor ons de inzameling verzorgen.

Accu's



Black & Decker accu's kunnen vele malen opnieuw worden opgeladen. Versleten accu's dienen op milieubewuste wijze te worden verwijderd:

- ◆ Gebruik de energie van de accu helemaal op en verwijder hem dan van de machine.
- ◆ NiCd- en NiMH-accu's zijn te recyclen. Breng ze naar een servicecentrum of naar een plaatselijk verwerkingscentrum voor klein chemisch afval.

U kunt het adres van het dichtstbijzijnde servicecentrum opvragen via de adressen op de achterzijde van deze handleiding. U kunt ook een lijst van onze servicecentra en meer informatie m.b.t. onze klantenservice vinden op het volgende Internet-adres: www.2helpU.com

Technische gegevens

	CS143(K)
Spanning	V _{DC} 14,4
Aantal zaagbewegingen	min ⁻¹ 0 - 4.500
Slaglengthe	mm 10
Max. zaagdiepte	mm
Hout	100
Staal	3
Kunststof buis	∅ 50
Snoeien	∅ 50
Cat. nr. accu	A14F
Gewicht (met accu)	kg 2,4

Oplader	3 uur	1 uur
Netspanning	V _{AC} 230	230
Gemiddelde oplaadtijd	h 3	1

EG-verklaring van overeenstemming

CS143(K)

Black & Decker verklaart dat deze machines in overeenstemming zijn met:

98/37/EEG, 89/336/EEG, 73/23/EEG, EN 50260, EN 60335, EN 55014, EN 61000

L_{PA} (geluidsdruk): 89 dB(A), L_{WA} (geluidsvermogen) 100 dB(A), gewogen kwadratische gemiddelde waarde van de versnelling 4,02 m/s²



Kevin Hewitt
Director of Consumer Engineering
Spennymoor, County Durham DL16 6JG,
United Kingdom
1-2-2004

Garantie

Black & Decker heeft vertrouwen in zijn producten en biedt een uitstekende garantie. Deze garantiebepalingen vormen een aanvulling op uw wettelijke rechten en beperken deze niet. De garantie geldt in de lidstaten van de Europese Unie en de Europese Vrijhandelsassociatie.

Mocht uw Black & Decker product binnen 24 maanden na datum van aankoop defect raken tengevolge van materiaal- of constructiefouten, dan garanderen wij de kosteloze vervanging van defecte onderdelen, de reparatie van het product of de vervanging van het product, tenzij:

- ◆ Het product is gebruikt voor handelsdoeleinden, professionele toepassingen of verhuurdoeleinden;
- ◆ Het product onoordeelkundig is gebruikt;
- ◆ Het product is beschadigd door invloeden van buitenaf of door een ongeval;
- ◆ Reparaties zijn uitgevoerd door anderen dan onze servicecentra of Black & Decker personeel.

Om een beroep op de garantie te doen, dient u een aankoopbewijs te overhandigen aan de verkoper of een van onze servicecentra. U kunt het adres van het dichtstbijzijnde servicecentrum opvragen via de adressen op de achterzijde van deze handleiding. U kunt ook een lijst van onze servicecentra en meer informatie m.b.t. onze klantenservice vinden op het volgende Internet-adres: **www.2helpU.com**

Meld u aan op onze website **www.blackanddecker.nl** om te worden geïnformeerd over nieuwe producten en speciale aanbiedingen. Verdere informatie over het merk Black & Decker en onze producten vindt u op **www.blackanddecker.nl**

Finalidad

Su sierra Black & Decker ha sido diseñada para serrar madera, plástico y metal.

Esta herramienta está pensada únicamente para uso doméstico.

Instrucciones de seguridad

- ♦ **¡Atención!** Cuando use herramientas alimentadas por batería, debe adoptar siempre las precauciones de seguridad básicas, incluidas las siguientes, a fin de reducir el riesgo de incendio, pérdida del líquido de las baterías, lesiones personales y daños materiales.
- ♦ Lea completamente este manual antes de utilizar la herramienta.
- ♦ Mantenga a mano este manual para consultas posteriores.

Mantenga limpia el área de trabajo

Un área o un banco de trabajo en desorden aumentan el riesgo de accidentes.

Tenga en cuenta el entorno del área de trabajo

No exponga herramientas a la humedad. Procure que el área de trabajo esté bien iluminada. No utilice la herramienta donde exista riesgo de incendio o explosión, p. ej. en la proximidad de líquidos o gases inflamables.

¡Mantenga alejados a los niños!

No permita que niños, otras personas o animales se acerquen al área de trabajo o toquen la herramienta.

Vista ropa de trabajo apropiada

No lleve vestidos anchos ni joyas. Estos podrían ser atrapados por piezas en movimiento. Para trabajos en el exterior, se recomienda llevar guantes de goma y calzado de suela antideslizante. Si tiene el pelo largo, téngalo recogido y cubierto.

Protección personal

Lleve gafas de protección. Utilice una mascarilla si el trabajo ejecutado produce polvo u otras partículas volantes.

Lleve protectores para los oídos cuando el ruido pueda resultar molesto.

No alargue demasiado su radio de acción

Mantenga un apoyo firme sobre el suelo y conserve el equilibrio en todo momento.

Esté siempre alerta

Mire lo que está haciendo. Use el sentido común.

No maneje la herramienta cuando está cansado.

Sujete bien la pieza de trabajo

Utilice abrazaderas o un torno para sujetar la pieza de trabajo. Es más seguro que sujetarla con la mano y le permite utilizar ambas manos para manejar la herramienta.

Conecte los accesorios para la extracción de polvo.

Si se suministran adaptadores para la conexión de accesorios extractores y para el almacenamiento del polvo, asegúrese de que se conectan y utilizan adecuadamente.

Retire las llaves de maniobra

Antes de poner la herramienta en marcha, asegúrese de que las llaves y utensilios de réglaje hayan sido retirados.

Utilice la herramienta adecuada

En este manual se explica para qué uso está destinada la herramienta. No utilice herramientas o dispositivos acoplables de potencia demasiado débil para ejecutar trabajos pesados. La herramienta funcionará mejor y con mayor seguridad al ser utilizada de acuerdo con sus características técnicas. No fuerce la herramienta.

¡Atención! El uso de otros accesorios, adaptadores, o la propia utilización de la herramienta en cualquier forma diferente de las recomendadas en este manual de instrucciones puede constituir un riesgo de lesiones a las personas.

Compruebe que no haya piezas averiadas

Antes de usarla, compruebe cuidadosamente que la herramienta no esté estropeada. Compruebe la posible existencia de piezas móviles mal alineadas o atascadas, la rotura de piezas, el posible daño de protectores e interruptores y cualquier otro aspecto que pueda afectar al funcionamiento de la herramienta.

Asegúrese de que la herramienta puede funcionar adecuadamente y cumplir con el cometido para el que ha sido diseñada. No use la herramienta si hay alguna pieza defectuosa o averiada. No utilice la herramienta si no es posible apagar y encender el interruptor. Encargue al servicio técnico autorizado que repare o sustituya las piezas defectuosas o averiadas. Jamás intente repararla usted mismo.

Extracción de la batería

Extraiga la batería cuando no esté usando la herramienta, antes de sustituir piezas, accesorios o acoplamientos, y antes de efectuar revisiones.

Evite un arranque involuntario

Procure no tocar el conmutador de encendido/apagado mientras transporta la herramienta. Compruebe que la herramienta está desconectada antes de proceder a colocar la batería en la herramienta.

Cuide el cable de alimentación

No lleve la herramienta por el cable, ni tire del cable para desenchufar la herramienta. Proteja el cable del calor, del aceite y de las aristas vivas.

Guarde las herramientas que no utiliza

Las herramientas, cargadores y baterías que no se utilizan, deben estar protegidos en un lugar seco y cerrado o elevado, fuera del alcance de los niños.

Mantenga las herramientas asiduamente

Mantenga sus herramientas afiladas y limpias para trabajar mejor y más seguro. Siga las instrucciones para el mantenimiento y la sustitución de accesorios. Mantenga los mandos y conmutadores secos, limpios y libres de aceite y grasa.

Reparaciones

Esta herramienta cumple las normas de seguridad aplicables.

Las reparaciones deben llevarse a cabo por personal cualificado, usando piezas de recambio originales; en caso contrario, podría ocasionarse un considerable riesgo para el usuario.



Para uso exclusivo en interiores.

Instrucciones de seguridad adicionales para baterías y cargadores

Baterías

- ◆ Nunca intente abrirlas por ningún motivo.
- ◆ No las esponga al agua.
- ◆ No las almacene en lugares donde la temperatura pueda exceder los 40 °C.
- ◆ Cargue las baterías únicamente a temperaturas entre 4 °C y 40 °C.
- ◆ Use únicamente el cargador suministrado para cargar la herramienta (consulte las características técnicas).
- ◆ Antes de cargarla, compruebe que la batería está seca y limpia.
- ◆ Use el tipo de batería correcto para la herramienta (consulte las características técnicas).
- ◆ Cuando deseche las baterías, siga las instrucciones reseñadas en la sección "Medio ambiente".
- ◆ Bajo condiciones extremas, la batería podría perder líquido. Si observa que la batería ha perdido líquido, proceda del modo siguiente:
 - Limpie cuidadosamente el líquido con un paño. Evite el contacto con la piel.
 - En caso de producirse contacto con la piel o los ojos, siga estas instrucciones.

¡Atención! El líquido una solución de un 25-30% de hidróxido de potasio, puede resultar nocivo. En caso de que entre en contacto con la piel, lávese inmediatamente con agua. Neutralícelo con un ácido suave como zumo de limón o vinagre. En caso de que entre en contacto con los ojos, láveselos con agua limpia abundante durante al menos 10 minutos. Consulte a un médico.

- ◆ No arroje la batería al fuego.
- ◆ No cargue baterías en mal estado.

Cargadores

- ◆ Use el cargador Black & Decker únicamente para cargar baterías del tipo suministrado. Otras baterías podrían estallar, causando daños y lesiones personales.
- ◆ No intente nunca cargar baterías no-recargables.
- ◆ Sustituye inmediatamente los cables defectuosos.
- ◆ No esponga el cargador al agua.
- ◆ No abra el cargador.
- ◆ No manipule el cargador.

Seguridad eléctrica



Su cargador tiene doble aislamiento; por consiguiente, no se requiere conexión a tierra.

El cargador ha sido diseñado para un solo voltaje. Compruebe siempre que el voltaje de la red corresponde al valor indicado en la placa de características. No intente nunca sustituir el cargador por un enchufe normal a la red.

Normas de seguridad adicionales para sierras de mano

- ◆ Use siempre el tipo de hoja de sierra adecuado al material de la pieza de trabajo y al tipo de corte.
- ◆ Use únicamente hojas de sierra en perfectas condiciones.
- ◆ Desconecte siempre la herramienta y espere que la hoja de sierra se pare totalmente antes de soltar la herramienta.
- ◆ Cuando no se utilice, la herramienta debe colocarse de costado.
- ◆ Mantenga las manos alejadas de la hoja de sierra mientras trabaja.
- ◆ Siempre que sea posible, use mordazas o un tornillo de banco para sujetar la pieza de trabajo.
- ◆ Antes de comenzar, compruebe que la zona de corte esté libre de obstáculos, especialmente por el otro lado del corte.
- ◆ Antes de serrar en paredes o suelos, tenga en cuenta la posición de las tuberías y cables ocultos.
- ◆ No use la herramienta mientras se encuentre en un árbol, o una escalera o cualquier otra superficie inestable.

Corte de ramas

- ◆ Tenga cuidado de dónde van a caer las ramas.
- ◆ Tenga preparado un plan de salida segura para la caída de ramas.
- ◆ Asegúrese de estar firmemente asentado. Lleve un casco de seguridad cuando exista riesgo de caída de ramas.
- ◆ Cuando corte una rama que esté en tensión, esté atento a la fuerza de retroceso para que no le golpee cuando se libere la tensión.
- ◆ Evite cortar matorrales de poco tamaño y árboles jóvenes ya que el material más ligero puede atrapar la hoja de sierra y asestarle un fatigazo o desequilibrarle.

Características

Esta herramienta incluye alguna o todas las características siguientes.

1. Conmutador de velocidad variable
2. Botón de desbloqueo
3. Botón liberador de la hoja
4. Batería

Fig. A

5. Cargador (modelo de 3 horas)
6. Alojamiento del cargador
7. Cargador (modelo de 1 hora)
8. Indicador de carga
9. Indicador de carga completada

Montaje

¡Atención! Antes de proceder al montaje, extraiga siempre la batería.

Colocación y extracción de la batería (fig. B)

- ◆ Para introducir la batería (4), colóquela en línea con el alojamiento de la herramienta. Deslice la batería en el alojamiento y empújela hasta que encaje en su sitio.
- ◆ Para extraer la batería, presione el botón liberador (10) al tiempo que extrae la batería de su alojamiento.

Colocación y extracción de una hoja de sierra (fig. C - E)

Hoja de sierra

11. Hoja de gran capacidad
12. Hoja de corte curvo
13. Hoja para cortar metal

Colocación

- ◆ Coloque la hoja sobre el pasador de posición (14).
- ◆ Gire la hoja hacia arriba 90° hasta que quede totalmente colocada en la ranura (15) de la hoja de sierra y el pasador de posición quede en la posición de bloqueo.
- ◆ Para asegurarse de que la hoja está fijada con seguridad, intente extraerla sin oprimir el botón liberador (3) de la hoja.

Si no puede acoplar la hoja, compruebe si el pasador de posición está en la posición correcta indicada en la fig. E. Si no es así, mantenga oprimido el botón liberador de la hoja y use un destornillador para girar el pasador de posición a la posición correcta.

Extracción

- ◆ Mantenga oprimido el botón liberador (3) de la hoja y gire la hoja hacia abajo hasta 90°.
- ◆ Retire la hoja de lado del pasador de posición y deslícela fuera de la herramienta.
- ◆ Suelte el botón liberador de la hoja.

Uso

¡Atención! Deje que la herramienta funcione a su ritmo. No lo sobrecargue.

Carga de la batería (fig. A)

La batería debe cargarse antes de usarla por primera vez y siempre que no obtenga la suficiente potencia en trabajos que antes efectuaba con facilidad. Cuando cargue la batería por primera vez, o después de un prolongado almacenaje, sólo obtendrá una carga del 80%. Después de varios ciclos de carga y descarga, la batería alcanzará su capacidad máxima. Durante la carga, la batería podría calentarse; esto es normal y no indica ningún problema.

¡Atención! No cargue la batería a una temperatura ambiente inferior a 4 °C o superior a 40 °C. Temperatura recomendada de carga: aprox. 24 °C.

Uso del cargador de 3 horas

- ◆ Para cargar la batería (4), retírela de la herramienta:
- ◆ Deslice el receptáculo del cargador (6) sobre la batería.
- ◆ Enchufe el cargador (5).

Al cabo de unas 3 horas de carga, la batería estará lo suficientemente cargada para su uso en aplicaciones normales. Después de aproximadamente 6 horas de carga, la batería estará totalmente cargada.

- ◆ Extraiga el receptáculo del cargador de la batería.

Uso del cargador de 1 hora

- ◆ Para cargar la batería (4), extráigala de la herramienta e insértela en el cargador (7). La batería encajará en el cargador sólo en un sentido. No la fuerce. Compruebe que la batería está totalmente insertada en el cargador.
- ◆ Enchufe el cargador.
- ◆ Compruebe que el indicador rojo de carga (8) está encendido. Si en su lugar se enciende el indicador verde de carga (9), entonces la batería está demasiado caliente y no puede cargarse. Si ocurre esto, extraiga la batería del cargador, deje que se enfríe durante 1 hora aproximadamente y vuelva a insertarla.

Después de 1 hora aproximada de carga, el indicador rojo (8) se apagará y se encenderá el indicador verde (9). Entonces la batería estará totalmente cargada.

- ◆ Extraiga la batería del cargador.

Encendido y apagado (fig. F)

- ◆ Para poner en marcha la herramienta, empuje los dos botones de desbloqueo (2) hasta la posición de desbloqueo y presione el conmutador de velocidad variable (1).
- ◆ Para desconectar la herramienta, suelte el conmutador de velocidad variable.

Aserrado (fig. G)

- ◆ Si es posible, sujete siempre la herramienta con ambas manos.

- ◆ Deje la hoja en marcha libremente durante unos segundos antes de iniciar el corte.
- ◆ Aplique sólo una presión suave a la herramienta mientras realiza el corte.
- ◆ Aplique el mismo movimiento hacia atrás y adelante que emplearía con una sierra de mano normal. Así logrará un corte más rápido y más limpio.

Consejos para un uso óptimo

Serrado de madera

- ◆ Inmovilice la pieza de trabajo de forma segura y retire todos los clavos y objetos metálicos.
- ◆ Cuando sea necesario minimizar el efecto de astillamiento, por ej., cuando corte laminados, sujete un trozo de madera de recorte o de tablero de fibra prensada a ambos lados de la pieza de trabajo y proceda a serrar a través de este bocadillo.

Serrado de metal

- ◆ Tenga en cuenta que serrar metal lleva mucho más tiempo que serrar madera.
- ◆ Use una hoja de sierra adecuada para serrar metal. Use una hoja de sierra de dientes finos para metales ferrosos y una hoja más gruesa para metales no ferrosos.
- ◆ Cuando corte chapa fina, sujete una pieza de madera de recorte a la superficie posterior de la pieza de trabajo y corte a través de este bocadillo.
- ◆ Extienda una capa de aceite a lo largo de la línea de corte prevista.

Corte de ramas

- ◆ Corte hacia abajo y hacia el lado contrario a su cuerpo.
- ◆ Realice el corte cerca del tronco del árbol o de la rama principal.

Mantenimiento

Su herramienta Black & Decker está diseñada para que funcione durante un largo período de tiempo con un mantenimiento mínimo. El funcionamiento satisfactorio continuado depende de un cuidado apropiado y una limpieza periódica de la herramienta.

Su cargador no requiere ningún mantenimiento aparte de una limpieza periódica.

¡Atención! Antes de efectuar cualquier mantenimiento en la herramienta, retire la batería de la herramienta. Desenchufe el cargador antes de limpiarlo.

- ◆ Limpie periódicamente las ranuras de ventilación de la herramienta y del cargador con un cepillo suave o un paño seco.

- ◆ Limpie periódicamente la carcasa del motor con un paño húmedo. No utilice ninguna sustancia limpiadora abrasiva o que contenga disolventes.

Protección del medio ambiente

Herramientas



Black & Decker proporciona facilidades para el reciclado de los productos Black & Decker que hayan llegado al final de su vida útil.

Este servicio se proporciona de forma gratuita. Para poderlo utilizar, le rogamos entregue el producto en cualquier servicio técnico autorizado quien se hará cargo del mismo en nuestro nombre.

Baterías



Las baterías Black & Decker pueden recargarse muchas veces. Al final de su vida útil, deseche las baterías con el debido cuidado con el entorno:

- ◆ Descargue totalmente la batería, luego retírela de la herramienta.
- ◆ Las baterías NiCd y las baterías NiMH son reciclables. Entregue las baterías al servicio postventa Black & Decker o dépositelas en un punto local de reciclado.

Pueden consultar la dirección de su servicio técnico más cercano poniéndose en contacto con la oficina local de Black & Decker en la dirección que se indica en este manual. Como alternativa, se puede consultar en Internet, en la dirección siguiente, la lista de servicios técnico autorizados e información completa de nuestros servicios de postventa y contactos:

www.2helpU.com

Características técnicas

	CS143(K)	
Voltaje	V _{DC}	14,4
Número de carreras	min ⁻¹	0 - 4.500
Longitud de carrera	mm	10
Profundidad máxima de corte	mm	
Madera		100
Acero		3
Tubo de plástico	∅	50
Poda	∅	50
Cat. no. batería		A14F
Peso (con batería)	kg	2,4

Cargador	3 horas	1 hora
Tensión de la red	V _{AC} 230	230
Tiempo aproximado de carga	h 3	1

Declaración CE de conformidad

CS143(K)

Black & Decker certifica que estas herramientas han sido construidas de acuerdo a las normas siguientes:

98/37/CEE, 89/336/CEE, 73/23/CEE, EN 50260, EN 60335, EN 55014, EN 61000

L_{pA} (presión acústica): 89 dB(A), L_{WA} (potencia acústica) 100 dB(A), valor cuadrático medio ponderado en frecuencia de la aceleración 4,02 m/s²



Kevin Hewitt
 Director de Ingeniería
 Spennymoor, County Durham DL16 6JG,
 United Kingdom
 1-2-2004

Visite nuestro sitio web www.blackanddecker.com para registrar su nuevo producto Black & Decker y mantenerse al día sobre nuestros productos y ofertas especiales. Encontrará información adicional sobre la marca Black & Decker y nuestra gama de productos en www.blackanddecker.com

Garantía

Black & Decker confía plenamente en la calidad de sus productos y ofrece una garantía extraordinaria. Esta declaración de garantía es una añadido, y en ningún caso un perjuicio para sus derechos estatutarios. La garantía es válida dentro de los territorios de los Estados Miembros de la Unión Europea y de los de la Zona Europea de Libre Comercio.

Si un producto Black & Decker resultará defectuoso debido a materiales o mano de obra defectuosos o a la falta de conformidad, Black & Decker garantiza, dentro de los 24 meses de la fecha de compra, la sustitución de las piezas defectuosas, la reparación de los productos sujetos a un desgaste y rotura razonables o la sustitución de tales productos para garantizar al cliente el mínimo de inconvenientes, a menos que:

- ◆ El producto haya sido utilizado con propósitos comerciales, profesionales o de alquiler;
- ◆ El producto haya sido sometido a un uso inadecuado o negligente;
- ◆ El producto haya sufrido daños causados por objetos o sustancias extrañas o accidentes;
- ◆ Se hayan realizado reparaciones por parte de personas que no sean los servicios de reparación autorizados o personal de servicios de Black & Decker;

Para reclamar en garantía, será necesario que presente la prueba de compra al vendedor o al servicio técnico de reparaciones autorizado. Pueden consultar la dirección de su servicio técnico más cercano poniéndose en contacto con la oficina local de Black & Decker en la dirección que se indica en este manual. Como alternativa, se puede consultar en Internet, en la dirección siguiente, la lista de servicios técnicos autorizados e información completa de nuestros servicios de postventa y contactos: www.2helpU.com

Utilização

A sua serra Black & Decker foi projectada para serrar madeira, plástico e metal.

Esta ferramenta destina-se apenas ao doméstico.

Instruções de segurança

- ◆ **Aviso!** Ao utilizar ferramentas alimentadas por bateria, é preciso seguir sempre as precauções básicas de segurança, incluindo as detalhadas a seguir, para diminuir os riscos de incêndio, corrosão das baterias, ferimentos pessoais e danos materiais.
- ◆ Leia atentamente este manual antes de utilizar a ferramenta.
- ◆ Guarde este manual para futura referência.

Mantenha a área de trabalho arrumada

As mesas e áreas de trabalho desarrumadas podem provocar ferimentos.

Cuide do ambiente da área de trabalho

Não exponha a ferramenta à chuva. Não utilize a ferramenta em situações onde haja humidade ou água. Mantenha a área de trabalho bem iluminada. Não utilize a ferramenta onde haja risco de fogo ou explosão, p.ex. em presença de líquidos ou gases inflamáveis.

Mantenha as crianças afastadas

Não permita que crianças, visitantes ou animais cheguem perto da área de trabalho ou toquem na ferramenta.

Vista-se de maneira apropriada

Não use vestuário largo nem jóias porque podem prender-se numa peça móvel. Quando se trabalha no exterior, é de aconselhar o uso de luvas de borracha e de calçado antiderrapante. Cubra o cabelo se tiver cabelo comprido.

Protecção pessoal

Utilize óculos de protecção. Utilize óculos de protecção e uma máscara de rosto ou poeira sempre que as operações possam produzir poeira ou partículas que voem. Utilize protector de ouvidos sempre que o nível de ruído pareça ser incómodo.

Verifique a sua posição

Mantenha sempre o equilíbrio.

Esteja atento

Dê atenção ao que vai fazendo. Trabalhe com precaução. Não utilize ferramentas quando estiver cansado.

Segure firmemente as peças a trabalhar

Utilize grampos ou um torno para segurar as peças de trabalho. É mais seguro e permite manter as duas mãos livres para trabalhar.

Conecte o equipamento de extracção de pó

Caso sejam fornecidos os dispositivos para a conexão de extracção e colecta de pó, assegure-se de que os mesmos sejam correctamente conectados e utilizados.

Tire as chaves de aperto

Verifique sempre se as chaves de aperto foram retiradas da ferramenta antes de a utilizar.

Utilize a ferramenta apropriada

Neste manual indicam-se as aplicações da ferramenta.

Não force pequenas ferramentas ou acessórios para fazer o trabalho numa ferramenta forte. A ferramenta trabalhará melhor e de uma maneira mais segura se for utilizada para o efeito indicado. Não force a ferramenta. **Aviso!** O uso de qualquer acessório ou da própria ferramenta, além do que é recomendado neste manual de instruções pode dar origem a risco de ferimento.

Verifique se há peças danificadas

Antes do uso, verifique cuidadosamente se a ferramenta está danificada. Verifique o tamanho das peças móveis e se as mesmas estão alinhadas; verifique se há alguma peça partida, se as protecções e os interruptores estão danificados, bem como quaisquer outras condições que possam afectar o funcionamento da ferramenta. Assegure-se de que a ferramenta funcione correctamente e de que esteja a desempenhar as funções para as quais foi projectada. Não utilize a ferramenta se houver alguma peça defeituosa. Não utilize a ferramenta se o interruptor não estiver a funcionar para ligar ou desligar. Qualquer peça defeituosa deve ser reparada ou substituída por um técnico autorizado. Nunca tente efectuar qualquer reparação por sua conta.

Remove a bateria

Remova a bateria quando a ferramenta não estiver em uso, antes de trocar qualquer peça da ferramenta, acessórios ou anexos e antes de enviar ao serviço técnico.

Evite ligar sem intenção

Não transporte a ferramenta com um dedo sobre o interruptor liga/desliga. Certifique-se de que a ferramenta esteja desligada quando for inserir a bateria.

Não force o cabo eléctrico

Nunca transporte a ferramenta pelo cabo e não puxe pelo cabo para tirar a ficha da tomada. Proteja o cabo contra o calor e evite o contacto com óleo e objectos cortantes.

Guarde as ferramentas que não estiverem a ser utilizadas

Quando não estiverem em uso, as ferramentas e baterias devem ser armazenadas num local seco, fora do alcance de crianças.

Cuide das suas ferramentas com atenção

Mantenha as ferramentas cortantes afiadas e limpas para um melhor e mais seguro desempenho. Siga as instruções para a manutenção e a troca de acessórios. Mantenha os punhos e os interruptores secos, limpos e isentos de óleo e gordura.

Reparos

Esta ferramenta cumpre os requisitos de segurança pertinentes. Os reparos devem ser realizados somente por pessoas qualificadas e as peças de reposição devem ser originais. A não observância disso poderá resultar em perigos consideráveis para os utilizadores.

Instruções adicionais de segurança para baterias e carregadores

Baterias

- ◆ Nunca tente abrir seja qual for a razão.
- ◆ Não exponha à água.
- ◆ Não armazene em locais onde a temperatura possa exceder 40 °C.
- ◆ Carregue somente à temperatura ambiente entre 4 °C e 40 °C.
- ◆ Carregue somente utilizando o carregador fornecido com a ferramenta (veja os dados técnicos).
- ◆ Antes de carregar, certifique-se de que a bateria esteja seca e limpa.
- ◆ Utilize somente o tipo correcto de bateria para a ferramenta (veja os dados técnicos).
- ◆ Quando se desfizer das baterias, siga as instruções dadas na secção "Ambiente".
- ◆ Sob condições extremas, pode ocorrer vazamento de bateria. Quando notar que há líquido na bateria, proceda da seguinte maneira:
 - Limpe o líquido cuidadosamente utilizando um pano. Evite o contacto com a pele.
 - Em caso de contacto com a pele ou com os olhos, siga as instruções abaixo.

Aviso! O líquido da bateria, uma 25-30% solução de hidróxido de potássio, pode ser nocivo. Em caso de contacto com a pele, lave imediatamente com água. Neutralize com um ácido suave, como sumo de limão ou vinagre. Em caso de contacto com os olhos, enxague abundantemente com água limpa durante 10 minutos. Consulte um médico.

- ◆ Não queime a bateria.
- ◆ Não carregue baterias danificadas.

Carregadores

- ◆ Utilize seu carregador Black & Decker somente para carregar as baterias do tipo fornecido com sua ferramenta. Outras baterias poderiam explodir causando danos pessoais e estragos.
- ◆ Nunca tente carregar baterias não recarregáveis.
- ◆ Substitua os cabos defeituosos imediatamente.
- ◆ Não exponha à água.
- ◆ Não abra o carregador.
- ◆ Não submeta o carregador a testes electrónicos.



Concebido somente para uso em interior.

Segurança eléctrica



O seu carregador tem duplo isolamento, não sendo, por isso, necessária uma ligação à terra. Assegure-se de que a voltagem do seu carregador corresponde com a rede de energia. Nunca tente substituir o carregador por uma tomada de energia normal.

Instruções de segurança adicionais para serras portáteis

- ◆ Utilize sempre o tipo de lâmina apropriado para o material da peça de trabalho e para o tipo de corte.
- ◆ Utilize somente lâminas de serra em perfeitas condições.
- ◆ Desligue sempre a ferramenta e espere que a lâmina pare por completo antes de largar a ferramenta.
- ◆ Quando não estiver a ser utilizada, a ferramenta deve ser colocada de lado.
- ◆ Mantenha suas mãos bem afastadas da lâmina enquanto estiver a trabalhar.
- ◆ Quando for possível, utilize grampos ou um torno para segurar a peça de trabalho.
- ◆ Antes da utilização, certifique-se de que a área de corte está livre de obstáculos, especialmente no lado inverso do corte.
- ◆ Antes de serrar em paredes ou chãos, tenha atenção à localização de tubos e fios embutidos.
- ◆ Não utilize a ferramenta enquanto estiver em cima de uma árvore, numa escada ou em qualquer superfície instável.

Corte de ramos

- ◆ Tenha em atenção à queda dos ramos.
- ◆ Planeie antecipadamente uma saída segura para as árvores derrubadas ou respectivos ramos.
- ◆ Permaneça atento aos seus passos. Use um capacete de segurança onde exista o risco de queda de ramos.
- ◆ Ao cortar um tronco que esteja sob tensão, tenha em atenção pois pode fazer recochete quando a libertar.
- ◆ Evite cortar em galhos de pequenas dimensões e casca de árvore uma vez que material fino e delgado pode tocar na lâmina da serra e saltar para si, ou fazer com que se desequilibre.

Funções

Esta ferramenta inclui algumas ou todas as seguintes funções.

1. Interruptor de velocidade variável
2. Botão de travamento
3. Botão de libertação da lâmina
4. Bateria

Fig. A

5. Carregador (modelo de 3 h)
6. Receptáculo do carregador

7. Carregador (modelo de 1 h)
8. Indicador de carga
9. Indicador de carga completa

Montagem

Advertência! Antes da montagem, retire a bateria.

Colocação e remoção da bateria (fig. B)

- ◆ Para colocar a bateria (4), alinhe-a com o receptáculo na ferramenta. Deslize a bateria no receptáculo e empurre-a até que ela encaixe no lugar.
- ◆ Para removê-la, prima os dois botões de fixação (10) e puxe a bateria para fora do receptáculo.

Colocar e remover a lâmina de serra (fig. C - E)

Lâmina

11. Lâmina de grande capacidade
12. Lâmina de corte de curvas
13. Lâmina de corte de metal

Colocação

- ◆ Coloque a lâmina por cima do pino (14).
- ◆ Rode a lâmina para cima 90° até que fique completamente colocado na ranhura da lâmina da serra (15) e o pino fique bloqueado.
- ◆ Certifique-se de que a lâmina está correctamente colocada tentando removê-la sem premir o botão de libertação da mesma (3).

Caso não consiga colocar a lâmina, verifique se o pino está na posição correcta como mostrado na fig. E. Caso não esteja, mantenha premido o botão de libertação da lâmina e utilize uma chave de fendas para colocar o pino na posição correcta.

Remoção

- ◆ Mantenha o botão de libertação da lâmina (3) premido e rode a lâmina para baixo 90°.
- ◆ Retire os lados da lâmina do pino e retire-a da ferramenta.
- ◆ Desbloqueie o botão de libertação da lâmina.

Utilização

Advertência! Deixe que a ferramenta funcione à vontade. Não o sobrecarregue.

Carregar a bateria (fig. A)

A bateria precisa ser carregada antes da primeira utilização e sempre que falhe em produzir potência suficiente para realizar trabalhos que antes eram facilmente realizados.

Quando estiver a carregar a bateria pela primeira vez, ou após armazenamento prolongado, ela aceitará somente 80% da carga. Após vários ciclos de carga e descarga, a bateria atingirá sua capacidade total. A bateria pode ficar quente enquanto estiver a carregar; isto é normal e não indica um problema.

Advertência! Não carregue a bateria a temperaturas ambientes inferiores a 4 °C ou superiores a 40 °C. A temperatura recomendada para carregar é de aproximadamente 24 °C.

Utilizando o carregador de 3 h

- ◆ Para carregar a bateria (4), retire-a da ferramenta.
- ◆ Coloque o receptáculo do carregador (6) na bateria.
- ◆ Ligue o carregador (5).

Após 3 horas de carregamento, a bateria deverá estar recarregada e pronta a utilizar nas suas aplicações regulares. Após aproximadamente 6 horas de carga, a bateria estará completa.

- ◆ Retire a bateria do receptáculo do carregador da bateria.

Utilizando o carregador de 1 h

- ◆ Para carregar a bateria (4), remova-a da ferramenta e insira-a no carregador (7). A bateria só encaixará no carregador de um modo. Não force. Esteja seguro de que a bateria está completamente encaixada no carregador.
- ◆ Ligue o carregador à corrente eléctrica.
- ◆ Verifique se o indicador vermelho de carregamento (8) se acende. Se em vez disso o indicador verde de final de carregamento (9) se acender, a bateria está muito quente e não pode ser carregada. Se isso acontecer, remova a bateria do carregador, deixe-a esfriar por aproximadamente 1 hora e insira-a de novo.

Depois de aproximadamente 1 hora de carregamento, o indicador vermelho de carga (8) se apagará e o indicador verde de final de carregamento (9) acenderá. A bateria estará então completamente carregada.

- ◆ Remova a bateria do carregador.

Como ligar e desligar a ferramenta (fig. F)

- ◆ Para ligar a ferramenta, carregue no botão de bloqueio (2) para a posição de desbloqueado e faça pressão sobre o interruptor de ligar/desligar (1).
- ◆ Para desligar a ferramenta, solte o interruptor de velocidade variável.

Serrar (fig. G)

- ◆ Se possível, segure sempre a ferramenta com as duas mãos.
- ◆ Deixe a lâmina funcionar livremente durante alguns segundos antes de iniciar o corte.
- ◆ Aplique apenas uma leve pressão à ferramenta enquanto efectua o corte.

- ◆ Efectue o mesmo movimento para a frente e para trás que utiliza com uma serra manual normal. Isto permite um corte mais rápido e seguro.

Sugestões para uma melhor utilização

Serrar madeira

- ◆ Prensar a peça de trabalho e remover todos os pregos e objectos metálicos.
- ◆ Para minimizar as rachadelas, por exemplo, ao cortar laminados, encaixe um bocado de madeira partida em ambos os lados da peça de trabalho e serre por entre esta sanduiche.

Serrar metal

- ◆ Não se esqueça que serrar metal demora mais tempo do que serrar madeira.
- ◆ Utilize uma lâmina adequada para serrar metal. Utilize uma lâmina com dentes finos para metais ferrosos e uma lâmina de dentes grossos para metais não ferrosos.
- ◆ Sempre que cortar folhas metálicas finas, encaixe um bocado de madeira partida em ambos os lados da peça de trabalho e serre por entre esta sanduiche.
- ◆ Espalhe uma camada fina de óleo ao longo da linha de corte.

Corte de ramos

- ◆ Corte de cima para baixo e longe do corpo.
- ◆ Efectue o corte perto do ramo ou tronco principal.

Manutenção

Esta ferramenta Black & Decker foi desenvolvida para funcionar por um longo período, com um mínimo de manutenção.

O funcionamento contínuo e satisfatório depende da limpeza regular e cuidado adequado da ferramenta.

O seu carregador não requer qualquer manutenção além de sua limpeza regular.

Advertência! Antes de executar qualquer manutenção na ferramenta, remova a bateria da ferramenta. Desligue o carregador de bateria antes de limpar o aparelho.

- ◆ Limpe regularmente as fendas de ventilação na ferramenta e no carregador utilizando uma escova macia ou pano seco.
- ◆ Limpe regularmente o compartimento do motor utilizando um pano húmido. Não utilize nenhum limpador abrasivo ou de base solvente.

Protecção do meio ambiente

Ferramentas



A Black & Decker oferece facilidades para a reciclagem de produtos Black & Decker e baterias recarregáveis uma vez que os mesmos tenham alcançado o final de suas vidas úteis.

Este serviço é fornecido sem encargos. Para utilizá-lo, devolva seu produto a qualquer agente de reparo autorizado, que se encarregará de recolher o equipamento em nosso nome.

Baterias



As baterias Black & Decker podem ser recarregadas muitas vezes. No final de sua vida técnica, as baterias Black & Decker podem ser recarregadas muitas vezes. No final de sua vida útil, deite fora a bateria sempre tendo em mente o cuidado com o meio ambiente:

- ◆ Deixe que a bateria se descarregue completamente e depois remova-a da ferramenta.
- ◆ As baterias NiCd e NiMH são recicláveis. Leve-as ao seu agente de reparação autorizado ou a uma estação local de reciclagem.

Para verificar a localização do agente de reparo mais próximo de si contacte o escritório local da Black & Decker no endereço indicado neste manual. Se preferir, consulte a lista de agentes autorizados da Black & Decker e os dados completos de nossos serviços de atendimento pós-venda na Internet no endereço: www.2helpU.com

Dados técnicos

		CS143(K)	
Voltagem	V_{DC}	14,4	
Número de movimentos	min^{-1}	0 - 4.500	
Comprimento do batimento	mm	10	
Profundidade de corte máxima	mm		
Madeira			100
Aço			3
Tubo de plástico	\varnothing	50	
Poda	\varnothing	50	
Cat. no. bateria			A14F
Peso (com a bateria)	kg	2,4	

Carregador	3 h	1 h
Voltagem	V_{AC} 230	230
Tempo aproximado de carregamento	h 3	1

Declaração de conformidade

CS143(K)

A Black & Decker declara que estas ferramentas foram concebidas em conformidade com:

89/37/CEE, 89/336/CEE, 73/23/CEE, EN 50260, EN 60335, EN 55014, EN 61000

L_{pA} (pressão sonora): 89 dB(A), L_{WA} (potência sonora) 100 dB(A), vibração 4,02 m/s²



Kevin Hewitt
Engenheiro Responsável
Spennymoor, County Durham DL16 6JG,
United Kingdom
1-2-2004

Visite o nosso website www.blackanddecker.com para registar o seu novo produto Black & Decker e para se manter actualizado sobre novos produtos e ofertas especiais. Estão disponíveis mais informações sobre a Black & Decker e sobre a nossa gama de produtos em www.blackanddecker.com

Garantia

A Black & Decker confia na qualidade de seus produtos e oferece um programa de garantia excelente. Esta declaração de garantia soma-se aos seus direitos legais e não os prejudica em nenhum aspecto. A garantia será válida nos territórios dos Estados Membros da União Europeia e na Área de Livre Comércio da Europa.

Caso algum produto da Black & Decker apresente avarias devido a defeitos de material, mão-de-obra ou ausência de conformidade no prazo de 24 meses a partir da data de compra, a Black & Decker garantirá a substituição das peças defeituosas, a reparação dos produtos que foram submetidos a uso adequado e remoção ou substituição dos mesmos para assegurar o mínimo de inconvenientes ao cliente a menos que:

- ◆ O produto tenha sido utilizado para fins comerciais, profissionais ou aluguer;
- ◆ O produto tenha sido submetido a uso incorrecto ou descuido;
- ◆ O produto tenha sofrido danos causados por objectos estranhos, substâncias ou acidentes;
- ◆ Tenha um histórico de reparações efectuadas por terceiros que não sejam os agentes autorizados ou profissionais de manutenção da Black & Decker.

Para activar a garantia, será necessário enviar a prova de compra ao revendedor ou agente de reparação autorizado. Para verificar a localização do agente de reparação mais próximo de si contacte o escritório local da Black & Decker no endereço indicado neste manual. Se preferir, consulte a lista de agentes autorizados da Black & Decker e os dados completos de nossos serviços de atendimento pós-venda na Internet no endereço: www.2helpU.com

Användningsområde

Din Black & Decker såg är avsedd för sågning av trä, plast och metall.

Verktyget är endast avsett som konsumentverktyg.

Säkerhetsinstruktioner

- ◆ **Varning!** När man använder uppladdningsbara verktyg är det viktigt att man bl.a. följer nedanstående säkerhetsanvisningar för att minska risken för brand, batteriläckage, personskador och materialskador.
- ◆ Läs bruksanvisningen noggrant innan du använder verktyget.
- ◆ Spara bruksanvisningen lättillgängligt.

Håll arbetsområdet i ordning

Nedskräpade ytor och arbetsbänkar inbjuder till skador.

Tänk på arbetsmiljöns inverkan

Utsätt inte verktyget för regn. Använd inte verktyget på fuktiga eller våta platser. Ha bra belysning över arbetsytan.

Använd inte verktyget där det finns risk för eldsvåda eller explosion, t.ex. i närheten av lättantändliga vätskor eller gaser.

Utom räckhåll för barn

Tillåt inte barn, besökande eller djur att komma i närheten av arbetsplatsen eller att röra vid verktyget.

Klä dig rätt

Bär inte löst hängande kläder eller smycken. De kan fastna i rörliga delar. Gummihandskar och halkfria skor rekommenderas vid utomhusarbeten. Använd hårnät om du har långt hår.

Skyddskläder

Använd alltid skyddsglasögon. Använd ansiktsmask om arbetet förorsakar damm eller partiklar i luften. Använd hörselskydd om du besväras av ljudnivån.

Sträck dig inte för mycket

Se till att du alltid har säkert fotfäste och balans.

Var uppmärksam

Titta på det du gör. Använd sunt förnuft. Använd inte verktyget när du är trött.

Sätt fast arbetsstycket

Använd skruvtingar eller ett skruvstycke för att hålla fast arbetsstycket. Det är säkrare än att använda handen och du får bägge händerna fria för arbetet.

Anslut dammsugningsutrustning

Om möjligheter finns för anslutning av utrustning för dammsugning och dammupsamling ska sådan utrustning anslutas och användas på korrekt sätt. OBS! Använd endast grovsugare.

Tag bort nycklar

Kontrollera att nycklar och justerverktyg har tagits bort från verktyget innan det startas.

Använd rätt verktyg

Använd inte verktyg för ändamål de inte är avsedda för.

Tvinga inte verktyget att göra arbeten som är avsedda för kraftigare verktyg. Överbelasta inte verktyget.

Varning! Använd endast tillbehör och tillsatser som är rekommenderade i bruksanvisningen och katalogerna.

Användning av annat verktyg eller tillbehör kan innebära risk för personskada.

Kontrollera verktyget för skador

Kontrollera verktyget för skador innan du använder det. Kontrollera att de rörliga delarna inte har fastnat eller är felmonterade. Kontrollera även att övriga delar och skydd inte är skadade och att det inte föreligger några andra fel som kan påverka verktygets funktion. Kontrollera att verktyget fungerar riktigt och kan utföra de avsedda funktionerna. Använd inte verktyget om fel uppstått på någon av dess delar. Använd inte verktyget om det inte kan kopplas till och från med strömbrytaren. Om fel uppstår skall delarna repareras eller bytas ut av en auktoriserad Black & Decker serviceverkstad. Försök aldrig reparera verktyget själv.

Tag ur batteriet

Tag ur batteriet när verktyget inte används samt före byte av någon del av verktyget, tillbehör eller tillsats och innan serviceåtgärder utförs.

Undvik oavsiktlig start

Bär aldrig verktyget med ett finger på strömbrytaren. Se till att verktyget är avstängt när du sätter i batteriet i verktyget.

Misshandla inte sladden

Bär aldrig laddaren i sladden och använd inte sladden för att dra ut kontakten. Utsätt inte sladden för värmekällor, olja eller skarpa kanter.

Förvara verktyg säkert

När verktyget inte används skall det samt batterierna och laddare förvaras på en torr plats utom räckhåll för barn.

Sköt verktyget med omsorg

Håll verktyget rent och använd skarpa tillbehör för bättre prestanda och säkrare drift. Följ instruktionerna beträffande skötsel och byte av tillbehör. Håll handtagen och strömbrytare torra, rena och fria från olja och fett.

Reparationer

Detta verktyg uppfyller gällande säkerhetskrav. Reparationer ska utföras av en auktoriserad Black & Decker serviceverkstad som använder originaldelar, annars kan användaren utsättas för stor fara.

Extra säkerhetsföreskrifter för batterier och laddare

Batterier

- ◆ Försök aldrig öppna batteriet.
- ◆ Utsätt inte batteriet för vatten.
- ◆ Förvara inte batteriet i utrymmen där temperaturen kan överstiga 40 °C.
- ◆ Ladda endast inom temperaturområdet 4 °C till 40 °C.

- ◆ Ladda endast med laddaren som medföljer (se tekniska data).
- ◆ Kontrollera före laddningen att batteriet är torrt och rent.
- ◆ Använd endast batterier avsedda för verktyget (se tekniska data).
- ◆ När batterierna kasseras skall instruktionerna i kapitlet "Miljö" följas.
- ◆ Under extrema förhållanden kan batteriläckage uppstå. Om du upptäcker vätska från batteriet skall följande iakttagas:
 - Torka försiktigt bort vätskan med en trasa. Undvik kontakt med huden.
 - Vid kontakt med huden eller ögonen skall instruktionerna nedan följas.

Varning! Batterivätskan, en 25-30% lösning av kaliumhydroxid, kan vara skadlig. Vid kontakt med huden, spola omedelbart med vatten. Neutralisera med en svag syra, t ex citronjuice eller ättika. Vid kontakt med ögonen, skölj rikligt med vatten i minst 10 minuter. Kontakta läkare.

- ◆ Batteriet får ej eldas upp.
- ◆ Använd aldrig ett skadat batteri.

Laddare

- ◆ Använd Black & Decker-laddaren endast tillsammans med det batteri som medföljer verktyget. Andra typer av batterier kan explodera och förorsaka person- och materialskador.
- ◆ Försök aldrig ladda icke uppladdningsbara batterier.
- ◆ Byt genast ut skadade sladdar.
- ◆ Utsätt inte laddaren för vatten.
- ◆ Öppna inte laddaren.
- ◆ Gör ingen åverkan på laddaren.



Endast avsedd för inomhusbruk.

Elektrisk säkerhet



Laddaren är dubbelisolerad; jordledare är således överflödigt. Kontrollera att laddarens spänning överensstämmer med nätspänningen. Försök aldrig att ersätta laddningsenheten med en vanlig nätkontakt.

Ytterligare säkerhetsinstruktioner för handsågar

- ◆ Använd alltid ett sågblad som passar arbetsstyckets material och typen av snitt.
- ◆ Använd endast sågblad i god tillstånd.
- ◆ Stäng alltid av maskinen och vänta tills sågbladet har stannat helt innan du lägger ifrån dig verktyget.
- ◆ Lägg verktyget på sidan när det inte används.
- ◆ Håll händerna undan från sågbladet under arbetet.

- ◆ Spänn om möjligt fast arbetsstycket med en skruvting eller ett skruvstycke.
- ◆ Kontrollera före bruk att sågbanan är fri från hinder, tänk särskilt på snittets baksida.
- ◆ Ta reda på var dolda rör och ledningar finns innan du börjar såga i väggar eller golv.
- ◆ Använd inte verktyget när du är uppe i ett träd, på en stege eller på något annat ostadigt underlag.

Kapa grenar

- ◆ Håll reda på grenens fallriktning.
- ◆ Se i förväg ut en nödutväg från nedfallande grenar.
- ◆ Se till att du står stadigt. Bär skyddshjälm om det finns risk för fallande grenar.
- ◆ När du sågar i en böjd och spänd gren, ska du vara beredd på att den kan fjädra upp och träffa dig när spänningen släpper.
- ◆ Undvik att såga i små buskar och unga träd eftersom tunna grenar kan fastna i sågbladet och slå tillbaka mot dig eller få dig att tappa balansen.

Funktioner

Verktyget har en del eller samtliga av nedanstående funktioner.

1. Steglös strömbrytare
2. Låsknapp
3. Bladspärr
4. Batteri
5. Laddare (3 tim. modell)
6. Laddningsenhet
7. Laddare (1 tim. modell)
8. Laddningsindikator - laddning pågår
9. Laddningsindikator - full laddning

Fig. A

Montering

Varning! Tag alltid bort batteriet innan montering.

Montering och borttagning av batteri (fig. B)

- ◆ Placera batteriet (9) genom att rikta det gentemot verktygets hållare. Skjut sedan in batteriet i hållaren tills det snäpper fast.
- ◆ Tag ut batteriet genom att trycka på knappen (10) och dra ut det ur hållaren.

Montering och avlägsnande av sågbladen (fig. C - E)

Sågblad

11. Blad med stor kapacitet
12. Blad för kurvsnitt
13. Blad för metall

Montering

- ◆ Placera bladet över placeringsstiftet (14).
- ◆ Vrid bladet 90° uppåt tills det sitter helt i sågbladsspringan (15) och placeringsstiftet är i spärrat läge.
- ◆ Kontrollera att bladet sitter ordentligt fast genom att försöka ta ut det utan att trycka in bladspärren (3).

Om du inte kan montera bladet bör du se efter om placeringsstiftet är i rätt läge enligt fig. E. Håll annars bladspärren intryckt och använd en skruvmejsel till att vrida placeringsstiftet till rätt läge.

Avlägsnande

- ◆ Håll bladspärren (3) intryckt och vrid bladet 90° nedåt.
- ◆ Tag bladet i sidled från placeringsstiftet och drag ut det ur verktyget.
- ◆ Släpp bladspärren.

Användning

Varning! Överbelasta inte maskinen, låt den arbeta i sin egen takt.

Laddning av batteriet (fig. A)

Batteriet måste laddas innan det används första gången och alltid när verktyget inte längre fungerar effektivt. När batteriet laddas första gången eller efter en längre tids förvaring är laddningskapaciteten endast 80%. Efter flera uppladdnings- och urladdningscyklar uppnår batteriet full kapacitet. Batteriet kan bli varmt under laddningen; detta är en normal företeelse och indikerar inte något fel.

Varning! Ladda inte batteriet om lufttemperaturen är lägre än 4 °C eller högre än 40 °C. Rekommenderad temperatur vid laddning är cirka 24 °C.

Användning av 3-timmarsladdaren

- ◆ Tag ut batteriet (4) ur verktyget för laddning.
- ◆ Skjut laddningsenheten (6) på batteriet.
- ◆ Nätanslut laddaren (5).

Batteriet är laddat för normal användning efter ungefär 3 timmar. Batteriet är fulladdat efter ungefär 6 timmars laddning.

- ◆ Avlägsna laddningsenheten från batteriet.

Användning av 1-timmarsladdaren

- ◆ När batteriet (4) skall laddas tas det ur verktyget och placeras i laddaren (7). Det finns bara ett sätt att sätta batteriet i laddaren. Bruka inte våld. Kontrollera att batteriet sitter ordentligt i laddaren.
- ◆ Sätt in laddarens kontakt i vägguttaget.
- ◆ Kontrollera att den röda laddningsindikatorn (8) tänds. Om den gröna laddningsindikatorn (9) lyser istället betyder det att batteriet är för varmt och inte kan laddas.

Om detta händer ska batteriet tas ut ur laddaren och svalna under cirka 1 timme, varefter det placeras i laddaren igen.

Efter cirka 1 timmes laddning släcks den röda laddningsindikatorn (8) och den gröna laddningsindikatorn (9) tänds. Batteriet är nu fulladdat.

- ◆ Tag ut batteriet ur laddaren.

Start och stopp (fig. F)

- ◆ Starta verktyget genom trycka de båda spärrknapparna (2) till släppt läge och trycka på strömbrytaren (1).
- ◆ Stanna verktyget genom att släppa den steglösa strömbrytaren.

Sågning (fig. G)

- ◆ Håll alltid fast verktyget med båda händerna.
- ◆ Låt bladet löpa fritt några sekunder innan du börjar såga.
- ◆ Utöva endast lätt tryck mot verktyget under sågningen.
- ◆ Använd samma fram- och återgående rörelse som du skulle använda med en vanlig fogsavns. Detta ger ett snabbare och jämnare snitt.

Råd för bästa resultat

Sågning i trä

- ◆ Spänn fast arbetsstycket ordentligt och avlägsna alla spikar och andra metallföremål.
- ◆ Om det är viktigt att undvika flisor, t.ex. vid sågning av laminat, kan du klämma en bit restträ eller masonit på ömse sidor av arbetsstycket och såga genom denna "sandwich".

Sågning i metall

- ◆ Tänk på att det tar mycket längre tid att såga metall än trä.
- ◆ Använd ett sågblad som är lämpat för metallsågning. Använd ett fintandat sågblad för järnhaltiga metaller och ett grövre sågblad för andra metaller.
- ◆ När du sågar i tunn plåt, kan du spänna fast en träbit på plåtens baksida och sedan såga igenom denna "sandwich".
- ◆ Smörj ett tunt lager olja längs såglinjen.

Kapa grenar.

- ◆ Skär nedåt och bort från dig själv.
- ◆ Lägg snittet nära den större grenen eller trädstammen.

Skötsel

Ditt Black & Decker verktyg har tillverkats för att fungera under lång tid med ett minimum av underhåll. Med rätt underhåll och regelbunden rengöring behåller verktyget sina prestanda. Laddaren behöver inget underhåll förutom regelbunden rengöring.

Varning! Tag bort batteriet innan underhåll utförs på verktyget. Tag ur laddarkontakten före rengöring.

- ◆ Rengör ventilationsöppningarna på verktyget och laddaren regelbundet med en mjuk borste eller torr trasa.
- ◆ Rengör kåpan regelbundet med en fuktig trasa. Använd aldrig rengöringsmedel med lösnings- eller slipmedel i.

Miljö

Verktyg



När ditt verktyg är utslitet, skydda naturen genom att inte slänga det tillsammans med vanligt avfall. Lämna det till de uppsamlingsställen som finns i din kommun eller där du köpt verktyget.

Batterier



Black & Decker batterierna kan laddas många gånger. Skydda miljön genom att lämna kasserade batterier till därför avsedd uppsamlingsplats.

- ◆ Ladda ur batteriet helt och tag sedan bort det från verktyget.
- ◆ NiCd och NiMH batterier är återvinningsbara. Lämna dem till inköpsstället eller den lokala återvinningsstationen. Återlämnade batterier återvinnas eller sänds till särskilda behandlingsanläggningar.

Tekniska data

	CS143(K)
Spänning	V_{DC} 14,4
Slagfrekvens.	min^{-1} 0 - 4.500
Snittlängd	mm 10
Max. snittdjup	mm
Trä	100
Stål	3
Plaströr	ø 50
Grenar	ø 50
Kat. nr. batteri	A14F
Vikt (med batteri)	kg 2,4

Laddare	3 tim.	1 tim.
Spänning	V_{AC} 230	230
Laddningstid cirka	tim 3	1

CE-försäkran om överensstämmelse

CS143(K)

Black & Decker förklarar att dessa verktyg är konstruerade i överensstämmelse med:

98/37/EEG, 89/336/EEG, 73/23/EEG, EN 50260, EN 60335, EN 55014, EN 61000

L_{pA} (ljudtryck): 89 dB(A), L_{WA} (ljudeffekt) 100 dB(A), vägt geometrisk medelvärde av vibrationsfrekvensen 4,02 m/s²

Kevin Hewitt
Director of Consumer Engineering
Spennymoor, County Durham DL16 6JG,
United Kingdom
1-2-2004

Reservdelar / reparationer

Reservdelar finns att köpa hos auktoriserade Black & Decker verkstäder, som även ger kostnadsförslag och reparerar våra produkter.

Förteckning över våra auktoriserade verkstäder finns på Internet, vår hemsida **www.blackanddecker.se** samt **www.2helpU.com**

Garanti

Black & Decker garanterar att produkten är fri från material- och/eller fabriktionsfel vid leverans till kund. Garantin är i tillägg till konsumentens lagliga rättigheter och påverkar inte dessa. Garantin gäller inom medlemsstaterna i Europeiska Unionen och i det Europeiska Frihandelsområdet.

Om en Black & Decker produkt går sönder på grund av material- och/eller fabriktionsfel eller brister i överensstämmelse med specifikationen, inom 24 månader från köpet, åtar sig Black & Decker att reparera eller byta ut produkten med minsta besvär för kunden.

Garantin gäller inte för fel som beror på:

- ◆ normalt slitage
- ◆ felaktig användning eller skötsel
- ◆ att produkten skadats av främmande föremål, ämnen eller genom olyckshändelse

Garantin gäller inte om reparation har utförts av någon annan än en auktoriserad Black & Decker verkstad.

För att utnyttja garantin skall produkten och inköpskvittot lämnas till återförsäljaren eller till en auktoriserad verkstad senast 2 månader efter det att felet har upptäckts. För information om närmaste auktoriserad verkstad; kontakta det lokala Black & Decker kontoret på den adress som är angiven i bruksanvisningen. En lista på alla auktoriserade verkstäder samt servicevillkor finns även tillgängligt på Internet, adress: **www.2helpU.com**

Besök vår webbplats **www.blackanddecker.se** för att registrera din nya Black & Decker-produkt samt för att erhålla information om nya produkter och specialerbjudanden. Vidare information om märket Black & Decker och vårt produktsortiment kan återfinnas på **www.blackanddecker.se**

Bruksområder

Sagen fra Black & Decker er utformet for sawing av tre, plast og metall.

Verktøyet er tiltenkt kun som konsumentverktøy.

Sikkerhetsinstruksjoner

- ◆ **Advarsel!** Når du bruker oppladbare verktøy, må du følge en del grunnleggende sikkerhetsregler, se nedenfor, for å redusere faren for brann, batterilekkasjer, personskaide og materialskaide.
- ◆ Ta deg tid til å lese nøye gjennom bruksanvisningen før du begynner å bruke verktøyet.
- ◆ Oppbevar bruksanvisningen på et lett tilgjengelig sted.

Hold arbeidsområdet rent og ryddig

En uryddig arbeidsplass innbyr til skader.

Tenk på arbeidsmiljøets innvirkning

Utsett ikke verktøyet for regn. Bruk ikke verktøyet under våte eller fuktige forhold. Pass på at arbeidsområdet er godt opplyst. Bruk ikke verktøyet hvor det er fare for forårsaking av brann eller en eksplosjon, f. eks. i nærheten av brannfarlige væsker eller gasser.

Hold barn unna

Barn, besøkende eller dyr må ikke komme i nærheten av arbeidsområdet eller i kontakt med verktøyet.

Kle deg riktig

Ha ikke på deg løstsittende klær eller smykker. De kan sette seg fast i de bevegelige delene. Vi anbefaler gummihansker og sko som ikke glir når du arbeider utendørs. Bruk hårnett hvis du har langt hår.

Personlig vern

Bruk vernebriller. Bruk en ansikts- eller støvmaske når operasjonene kan forårsake støv eller flyvende partikler. Bruk ørevern når støynivået virker ukomfortabelt.

Strekk deg ikke for langt

Pass på at du alltid har sikkert fotfeste og balanse.

Vær oppmerksom

Se på det du gjør. Bruk sunn fornuft. Bruk ikke maskinen når du er trett.

Sikre arbeidsstykket

Bruk tvinger eller skrustikker til å feste arbeidsstykket med. Dette er sikrere enn å bruke hånden, og du får begge hendene fri til å styre verktøyet.

Kople til støvutsugstuttyr

Hvis det følger med utstyr for tilkopling av støvutsug og støvoppsamling, må du sørge for at dette koples til og brukes riktig. Bruk kun industristøvsuger.

Fjern nøkler

Gjør det til vane å sjekke om nøkler og justeringsverktøy er fjernet før verktøyet startes.

Bruk riktig verktøy

Bruk ikke verktøyet til formål det ikke er ment for.

Tving ikke en maskin til å gjøre arbeid som krever kraftigere verktøy. Overbelast ikke verktøyet.

Advarsel! Bruk bare tilbehør og utstyr som anbefales i bruksanvisningen og i katalogene. Bruk av annet verktøy eller tilbehør kan medføre en mulig risiko for personskaide.

Sjekk verktøyet for skader

Kontroller verktøyet nøye for skade før bruk. Kontroller at de bevegelige delene ikke har satt seg fast eller er feilmontert. Kontroller også at de øvrige delene og beskyttelsene ikke er skadet og at det ikke foreligger noen andre feil som kan påvirke verktøyet funksjon. Kontroller at verktøyet fungerer som det skal og utfører beregnet funksjon. Bruk aldri verktøyet hvis noen av delene er skadet. Ikke bruk verktøyet hvis det ikke er mulig å slå det på og av med strømbryteren. Hvis feil oppstår skal delene repareres eller byttes ut av et autorisert Black & Decker serviceverksted. Prøv aldri å reparere selv.

Fjern batteriet

Ta ut batteriet når verktøyet ikke er i bruk, før du bytter noen av delene på verktøyet, tilbehør eller tilslutning og før vedlikehold.

Unngå utilsikket start

Bær aldri verktøyet med fingeren på strømbryteren. Pass på at verktøyet er slått av når du setter inn batteriet.

Ikke mislighold ledningen

Bær aldri laderen i ledningen og bruk ikke ledningen for å dra ut kontakten. Utsett ikke ledningen for varme, olje, eller skarpe kanter.

Oppbevar verktøy på et trygt sted

Når det ikke er i bruk, må verktøy, batteri og lader oppbevares på et tørt sted, og slik at det ikke er tilgjengelig for barn.

Vær nøye med vedlikeholdet

Hold verktøyet rent og bruk skarpe tilbehør for bedre prestasjon og sikrere drift. Følg forskriftene når det gjelder vedlikehold og skifte av tilbehør. Hold håndtakene og brytere tørre, rene og fri for olje og fett.

Reparasjoner

Dette verktøyet overholder relevante sikkerhetskrav. Reparasjoner må bare utføres av autoriserte Black & Decker serviceverksteder som benytter originale reservedeler, ellers kan det være farlig å bruke utstyret.

Ekstra sikkerhetsforskrifter for batterier og ladere

Batterier

- ◆ Må aldri åpnes.
- ◆ Må ikke komme i kontakt med vann.
- ◆ Må ikke oppbevares på steder hvor temperaturen kan overstige 40 °C.
- ◆ Må bare lades i lufttemperaturer mellom 4 °C og 40 °C.
- ◆ Lad bare med laderen som følger med verktøyet (se tekniske data).
- ◆ Før opplading, pass på at batteriet er tørt og rent.

- ◆ Bruk bare den korrekte type batteri for verktøyet (se tekniske data).
- ◆ Når du kasserer batteriet, følger du instruksene som er gitt i seksjonen "Miljø".
- ◆ Under ekstreme forhold, kan batterilekkasje forekomme. Hvis du merker væske på batteriet, må du gjøre som følger:
 - Tørk forsiktig væsken med et tøystykke. Unngå kontakt med huden.
 - I tilfeller hvor det oppstår kontakt med hud eller øyne, skal instruksjonene nedenfor følges.

Advarsel! Batterivæsken, en 25-30 % løsning av kaliumhydroksid, kan være skadelig. Hvis det oppstår berøring med hud, må du straks skylle med vann. Nøytraliser med en svak syre, f.eks. sitronsaft eller eddik. Hvis du får væsken i øynene, må du rense dem med rikelig rent vann i minst 10 minutter. Kontakt lege.

- ◆ Ikke brenn batteriet.
- ◆ Bruk aldri et skadet batteri.

Ladere

- ◆ Bruk din Black & Decker lader kun sammen med det batteriet som blir levert med verktøyet. Andre typer av batterier kan eksplodere og forårsake person- og materialskader.
- ◆ Forsøk aldri å lade ikke oppladbare batterier.
- ◆ Bytt straks ut defekte ledninger.
- ◆ Laderen må ikke komme i kontakt med vann.
- ◆ Laderen må ikke åpnes.
- ◆ Ikke skad eller mislighold laderen.



Kun tilenkt for bruk innendørs.

Elektrisk sikkerhet



Laderen er dobbeltisolert. Jordet ledning er derfor ikke nødvendig. Kontroller at spenningen til laderen tilsvarer nettspenningen. Du må aldri forsøke å bytte laderen ut med et vanlig støpsel.

Ekstra sikkerhetsinstruksjoner for håndholdte sager

- ◆ Bruk alltid blad som er beregnet på arbeidsmaterialet, og på den typen kutt som skal utføres.
- ◆ Benytt bare sagblad i perfekt stand.
- ◆ Slå alltid verktøyet av, og vent til bladene har stoppet helt før du legger sagen fra deg.
- ◆ Legg verktøyet på siden når det ikke er i bruk.
- ◆ Hold hendene på avstand fra sagbladet mens du arbeider.
- ◆ Benytt klemmer eller skrustikke når dette er mulig.
- ◆ Pass på at arbeidsområdet er fritt for hindringer, særlig på motsatt side av arbeidsemnet.

- ◆ Før du sager i vegger eller gulv, må du finne ut hvor det ligger rør og ledninger.
- ◆ Ikke bruk verktøyet hvis du står i et tre, på en stige eller på andre ustabile underlag.

Sage grener

- ◆ Husk å tenke på hvor grenene kommer til å falle.
- ◆ Før felling av grener må du planlegge en sikker vei bort fra de fallende grenene.
- ◆ Pass på at du har godt fotfeste. Bruk vernehjelm hvis det er fare for fallende grener.
- ◆ Når du sager en gren som er spent, må du være oppmerksom på at den kan kastes tilbake, slik at den ikke slår borti deg når spenningen forsvinner.
- ◆ Unngå å sage i kratt og busker, fordi kvister og lignende kan komme inn i sagbladet og slenges mot deg eller gjøre at du mister balansen.

Funksjoner

Dette verktøyet har noen av eller alle følgende funksjoner:

1. Trinnløs strømbryter
2. Låseknapp
3. Bladutløserknapp
4. Batteri
5. Lader (3-timersmodell)
6. Ladeenhet
7. Lader (1-timesmodell)
8. Ladeindikator - lading pågå
9. Ladeindikator - lading fullført

Fig. A

Montering

Advarsel! Før montering må du alltid ta ut batteriet.

Montere og fjerne batteriet (fig. B)

- ◆ Når du skal sette i batteriet (4), holder du det på høyde med holderen på verktøyet. Skyv batteriet inn i holderen, og trykk til det sitter på plass.
- ◆ Når du skal fjerne batteriet, trykker du på de to utløserknappene (10) samtidig, mens du drar batteriet ut av holderen.

Montere og fjerne et sagblad (fig. C - E)

Sagblad

11. Blad med stor kapasitet
12. Bøyd sagblad
13. Sagblad til metall

Montere

- ◆ Sett bladet over styrepinnen (14).
- ◆ Drei bladet 90° opp til det sitter helt inn i sporet (15) og styrepinnen er låst.
- ◆ Kontroller at bladet er godt festet ved å forsøke å fjerne det uten å trykke ned utløserknappen (3).

Hvis du ikke får satt på bladet, kontrollerer du om styrepinnen er i riktig posisjon, som vist i fig. E. Er den ikke det, holder du utløserknappen nede og bruker en skrutrekker til å dreie styrepinnen til riktig posisjon.

Ta av tilbehøret

- ◆ Hold bladutløserknappen (3) nede, og drei bladet 90° ned.
- ◆ Før bladet sidelengs av styrepinnen og trekk det ut av verktøyet.
- ◆ Slipp utløserknappen.

Bruk

Advarsel! La verktøyet jobbe med sin egen hastighet. Ikke overbelast det.

Lading av batteriet (fig. A)

Batteriet må lades før første gangs bruk og alltid når verktøyet ikke lenger fungerer effektivt. Når batteriet lades for første gang, eller etter at det ikke har vært brukt i en periode, er ladekapasiteten kun 80%. Etter flere ladings- og utladingsperioder, vil batteriet oppnå full kapasitet. Batteriet kan bli varmt mens det lades; dette er normalt og indikerer ikke at noe er feil.

Advarsel! Lad ikke batteriet hvis lufttemperaturen er under 4 °C eller over 40 °C. Anbefalt ladingstemperatur: ca. 24 °C.

Bruke 3-timersladeren

- ◆ Når du skal lade batteriet (4), må du fjerne det fra verktøyet.
- ◆ Skyv batteriladeren (6) inn på batteriet.
- ◆ Koble laderen (5) til stikkontakten.

Etter omtrent 3 timers lading er batteriet tilstrekkelig ladet for alminnelig bruk. Etter omtrent 6 timers lading vil batteriet være helt oppladet.

- ◆ Fjern batteriladeren fra batteriet.

Bruke 1-timersladeren

- ◆ For å lade batteriet (4), ta det ut av verktøyet og sett det inn i laderen (7). Det er bare en måte å plassere batteriet inn i laderen. Ikke bruk makt. Kontroller at batteriet ligger ordentlig på plass i laderen.
- ◆ Sett laderens kontakt i vegguttaket.
- ◆ Sjekk om den røde ladeindikatoren (8) lyser. Hvis den grønne ladeindikatoren (9) lyser i stedet, er batteriet for varmt og kan ikke lades. Hvis dette skjer, tar du batteriet ut av laderen, lar det avkjøles i 1 time og setter det inn igjen.

Etter ca. 1 times lading, vil den røde ladeindikatoren (8) slukke og den grønne ladeindikatoren (9) lyser. Batteriet er nå ferdig oppladet.

- ◆ Ta batteriet ut av laderen.

Start og stopp (fig. F)

- ◆ For å slå verktøyet på holder du låseknappen (2) nede og trykker på den trinnløse strømbryteren (1).
- ◆ Slipp strømbryteren for å slå verktøyet av.

Sage (fig. G)

- ◆ Hold alltid verktøyet med begge hender, om mulig.
- ◆ La bladet gå ubelastet i et par sekunder før du begynner å sage.
- ◆ Legg kun forsiktig trykk på verktøyet mens du sager.
- ◆ Bruk samme bevegelse forover og bakover som du ville gjort med en vanlig håndsag. Dette gir et raskere og renere kutt.

Råd for optimalt resultat

Saging av tre

- ◆ Fest arbeidsemnet godt og fjern alle spikre og metallgenstander.
- ◆ Du kan redusere oppflisingen, f.eks. når du sager i laminater, ved å klemme fast en planke eller fiberplate på begge sider av arbeidsemnet, og sage gjennom alle delene samtidig.

Sage i metall

- ◆ Husk at det tar mye lengre tid å sage i metall enn i tre.
- ◆ Bruk et sagblad som er egnet for saging i metall. Bruk et fintannet sagblad til jernholdige metaller, og et grovere sagblad til ikke-jernholdige metaller.
- ◆ Klem fast en planke på baksiden av arbeidsemnet når du skal sage tynne metallplater, og sag gjennom begge deler samtidig.
- ◆ Legg en oljefilm langs beregnet sagelinge.

Sage grener

- ◆ Skjær nedover og bort fra kroppen din.
- ◆ Skjær tett inntil hovedgrenen eller trestammen.

Vedlikehold

Ditt Black & Decker verktøy har blitt utformet for å være i drift over en lang periode med et minimum av vedlikehold.

Med riktig vedlikehold og regelmessig rengjøring beholder verktøyet ytelsen.

Laderen din behøver ikke annet vedlikehold enn at den rengjøres med jevne mellomrom.

Advarsel! Før det utføres noen form for vedlikehold av verktøyet, må batteriet tas ut.

Trekk ut kontakten når laderen skal gjøres ren.

- ◆ Rengjør ventilasjonsåpningene på verktøyet og laderen regelmessig med en myk børste eller en tørr klut.
- ◆ Rengjør kåpen regelmessig med en fuktig klut. Ikke bruk slipende eller løsemiddelbaserte rengjøringsmidler.

Miljø

Verktøy



Når verktøyet ditt er utslitt, beskytt naturen ved ikke å kaste det sammen med vanlig avfall. Lever det til en oppsamlingsplass som finnes i din kommune eller der hvor du kjøpte verktøyet.

Batterier



Black & Decker batteriene kan lades mange ganger. Beskytt miljøet ved å levere kasserte batterier til en oppsamlingsplass beregnet for dette.

- ◆ Lad ut batteriene helt og ta de så ut av verktøyet.
- ◆ NiCd og NiMH batterier er gjenvinningsbare. Lever de til innkjøpsstedet eller din lokale gjenvinningsstasjon. Innleverte batterier gjenvinnes eller sendes til et egnet behandlingsanlegg.

Tekniske data

	CS143(K)	
Spenning	V_{DC}	14,4
Antall anslag	min^{-1}	0 - 4.500
Anslagslengde	mm	10
Maks. sagedybde	mm	
Tre		100
Stål		3
Plastrør	\varnothing	50
Beskjæring	\varnothing	50
Kat.nr. batteri		A14F
Vekt (med batteri)	kg	2,4

Lader		3 timer	1 time
Spenning	V_{AC}	230	230
Ladetid, ca	timer	3	1

CE-sikkerhetserklæring

CS143(K)

Black & Decker erklærer at disse verktøyer er konstruert i henhold til:

98/37/EØF, 89/336/EØF, 73/23/EØF, EN 50260, EN 60335, EN 55014, EN 61000

L_{PA} (lydnivå): 89 dB(A), L_{WA} (akustisk effekt) 100 dB(A), veid geometrisk middelvei av vibrasjonsfrekvensen 4,02 m/s²

Kevin Hewitt
Director of Consumer Engineering
Spennymoor, County Durham DL16 6JG,
United Kingdom
1-2-2004

Reservdeler / reparasjoner

Reservdeler kan kjøpes hos autoriserte Black & Decker serviceverksteder, som også gir kostnadsoverslag og reparerer våre produkter.

Oversikt over våre autoriserte serviceverksteder finnes på Internet, vår hjemmeside www.blackanddecker.no samt www.2helpU.com

Garanti

Black & Decker garanterer at produktet ikke har material- og/eller fabrikkasjonsfeil ved levering til kunde. Garantien er i tillegg til kundens lovlige rettigheter og påvirker ikke disse. Garantien gjelder innen medlemsstatene i den Europeiske Unionen og i det Europeiske Frihandelsområdet.

Hvis et Black & Decker produkt går i stykker på grunn av material- og/eller fabrikkasjonsfeil eller har mangler i forhold til spesifikasjonene, innen 24 måneder fra kjøpet, påtar Black & Decker seg å reparere eller bytte ut produktet med minst mulig vanskelighet for kunden.

Garantien gjelder ikke for feil som kommer av:

- ◆ normal slittasje
- ◆ feilaktig bruk eller vedlikehold (mislighold)
- ◆ at produktet har blitt skadet av fremmede gjenstander, emner eller ved et uhell

Det gjøres oppmerksom på at produktet ikke er beregnet på industriell/profesjonell/yrkesmessig bruk, men til hus- og hjemmebruk.

Garantien gjelder ikke om reparasjoner har blitt utført av noen andre enn et autorisert Black & Decker serviceverksted.

NORSK

For å ta garantien i bruk skal produktet og kjøpekvitteing leveres til forhandleren eller til et autorisert serviceverksted senest 2 måneder etter at feilen har blitt oppdaget.

For informasjon om nærmeste autoriserte serviceverksted; kontakt det lokale Black & Decker kontoret på den adressen som er angitt i bruksanvisningen. En oversikt over alle autoriserte serviceverksteder samt servicevilkår finnes også tilgjengelig på Internet, adresse: **www.2helpU.com**

Vennligst stikk innom våre nettsider på

www.blackanddecker.no for å registrere ditt nye Black & Decker-produkt og for å holde deg oppdatert om nye produkter og spesialtilbud. Du finner mer informasjon om Black & Decker og produktutvalget vårt på

www.blackanddecker.no

Anvendelsesområde

Din Black & Decker-sav er designet til savning i træ, plastik og metal.

Værktøjet er kun beregnet til privat brug.

Sikkerhedsinstruktioner

- ◆ **Advarsel!** Ved brug af genopladeligt værktøj skal de grundlæggende sikkerhedsforanstaltninger, herunder de følgende, altid følges, således at risikoen for brand, lækkende batterier og person- og materialeskader begrænses.
- ◆ Læs denne brugsanvisning igennem, inden værktøjet tages i brug.
- ◆ Opbevar brugsanvisningen let tilgængeligt.

Hold arbejdsområdet i orden

Uordentlige arbejdsområder og arbejdsbænke indbyder til skader.

Tænk på arbejdsmiljøets indflydelse

Udsæt ikke værktøjet for regn. Anvend ikke værktøjet på fugtige eller våde pladser. Sørg for en god belysning over arbejdsområdet. Anvend ikke værktøjet hvor der eksisterer risiko for at brand kan opstå eller eksplosioner forekomme, som følge af brug af værktøjet. F. eks. aldrig i nærheden af let antændelige væsker eller gasser.

Hold børnene på afstand

Børn, besøgende eller dyr må ikke nærme sig arbejdsområdet eller røre ved værktøjet.

Klæd dig rigtigt på

Bær ikke løst hængende tøj eller smykker. Det kan sidde fast i bevægelige dele. Gummihandsker og skridsikre sko anbefales ved udendørs arbejde. Brug håret, hvis du har langt hår.

Personlig beskyttelse

Brug beskyttelsesbriller. Brug ansigts- eller støvmaske, når brug af værktøjet kan medføre støv eller flyvende partikler. Brug høreværn, når lydniveauet virker generende.

Stræk dig ikke for meget

Sørg for, at du altid har sikkert fodfæste og balance.

Vær opmærksom

Se på det, du gør. Brug din sunde fornuft. Brug ikke værktøjet, når du er trætt.

Sæt arbejdsområdet fast

Brug skruetvinger eller skruestik for at spænde arbejdsområdet fast. Det er sikrere end at bruge hånden, og du får begge hænder fri til arbejdet.

Tilslut støvudsugningsudstyret

Hvis der findes enheder til tilslutningsfunktionerne støvudsugning og støvopsamling, skal man sørge for, at disse tilsluttes og bruges korrekt.

Fjern nøglerne

Kontroller at nøgler og justerværktøj er fjernet fra værktøjet, inden det startes.

Brug det rigtige værktøj

Brugen af værktøjet er beskrevet i denne brugsanvisning.

Tving ikke elværktøj til at udføre arbejde, som er beregnet til kraftigere værktøj. Brug kun tilbehør og dele, der er anbefalet i brugsanvisningen og katalogerne. Værktøjet må ikke forceres.

Advarsel! Anvendelsen af andet tilbehør eller udførelse af opgaver med andet værktøj end det her anbefalede kan medføre risiko for personskader.

Kontrollér værktøjet for skader

Kontrollér omhyggeligt værktøjet for beskadigelser, før du bruger det. Check de bevægelige dele for skæv indstilling og sammenbrændinger, kontrollér for brud på dele, skader på skærme og kontakter samt alt andet, der kan påvirke værktøjets funktion. Kontrollér, at værktøjet fungerer rigtigt og kan udføre det arbejde, det er beregnet til. Værktøjet må ikke benyttes, hvis en af delene er beskadiget eller defekt. Brug ikke værktøjet, hvis det ikke kan tændes og slukkes ved afbryderen. Skadede eller defekte dele skal repareres eller udskiftes af en autoriseret tekniker. Man må aldrig forsøge selv at reparere værktøjet.

Fjern batteriet

Fjern batteriet når værktøjet er ude af brug og før udskiftning af enhver værktøjsdel, tilbehør eller andet udstyr.

Undgå utilsigtet start af værktøjet

Man må ikke bære værktøjet med en finger på tænd/sluk knappen. Kontrollér at værktøjet er slukket, når du sætter et batteri i værktøjet.

Vær forsigtig med ledningen

Laderen må aldrig bæres i ledningen eller tages ud af stikkontakten ved at rive i ledningen. Ledningen skal holdes på afstand fra varme, olie og skarpe kanter.

Opbevar værktøjet sikkert, når det ikke bruges

Når værktøj, batterier og oplader ikke er i brug, skal de opbevares indelåst eller højt placeret et tørt sted uden for børns rækkevidde.

Vedligehold værktøjet omhyggeligt

Skæmmede værktøj skal holdes skarpe og rene, for på denne måde at opnå et bedre og mere sikkert brug.

Følg vedligeholdelsesvejledningen samt vejledningen til udskiftning af tilbehør. Hold håndtagene og knapperne tørre, rene og fri for olie og fedt.

Reparationer

Dette værktøj opfylder de relevante sikkerhedskrav. Reparationer må kun foretages af dertil kvalificerede personer, som bruger originale reservedele. I modsat fald kan der opstå betydelig fare for brugeren.

Yderligere sikkerhedsanvisninger til batterier og ladere

Batterier

- ◆ Man må aldrig åbne et batteri.
- ◆ Det må ikke udsættes for vand.

- ◆ Det må ikke opbevares i lokaler, hvor temperaturen overstiger 40 °C.
- ◆ Det må kun oplades ved omgivelsestemperaturer mellem 4 °C og 40 °C.
- ◆ Oplad kun med den vedlagte lader (se tekniske data).
- ◆ Før opladning skal man sikre sig, at batteriet er tørt og rent.
- ◆ Benyt kun de til værktøjet beregnede batterier (se tekniske data).
- ◆ Ved kassering af batterier, skal man følge vejledningen givet i afsnittet "Miljø".
- ◆ Under ekstreme forhold kan der forekomme batteriutætheder. Hvis man opdager væske på batteriet, skal man gå frem på følgende måde:
 - Tør forsigtigt væsken af med en klud. Undgå kontakt med huden.
 - I tilfælde af at væsken kommer i kontakt med huden, skal man følge nedenstående vejledning.

Advarsel! Batterivæsken, en 25-30% opløsning af kaliumhydroksid, kan være skadelig. Ved hudkontakt skal der omgående skylles med vand. Neutraliser med en mild syre såsom citronsaft eller eddike. Ved øjenkontakt skylles med rigeligt vand i mindst 10 minutter. Opsøg læge.

- ◆ Brænd ikke batteriet.
- ◆ Oplad ikke et beskadiget batteri.

Ladere

- ◆ Din Black & Decker lader må kun benyttes til Black & Decker batterier af samme slags, som de med værktøjet leverede batterier. Andre batterier kan eksplodere og medføre personskader.
- ◆ Man må aldrig forsøge at oplade ikke opladelige batterier.
- ◆ Defekte ledninger skal straks udskiftes.
- ◆ Laderen må ikke udsættes for vand.
- ◆ Laderen må ikke åbnes.
- ◆ Laderen må ikke manipuleres.



Kun beregnet til indendørs brug.

Elektrisk sikkerhed



Laderen er dobbelt isoleret; jordledning er derfor ikke påkrævet. Kontroller, om laderens spænding svarer til lysnettets spænding. Forsøg aldrig at udskifte laderenheden med et almindeligt netstik.

Yderligere sikkerhedsanvisninger for håndholdte save

- ◆ Man skal altid benytte en klinge, der er velegnet til arbejdsemnets materiale samt den opgave, man ønsker at udføre.
- ◆ Man må kun benytte klinger, der er i god stand.

- ◆ Man skal altid slukke værktøjet og vente, indtil klingens er standsat, før man sætter værktøjet fra sig.
- ◆ Når værktøjet ikke er i brug, skal det lægges ned på siden.
- ◆ Man skal holde hænderne langt væk fra klingens, når saven er i drift.
- ◆ Når det er muligt, skal man benytte klemmer eller en skruetvinge til fastspænding af arbejdsemnet.
- ◆ Før brug skal man sikre sig, at saveområdet er fri for forhindringer, især på bagsiden af skæringen.
- ◆ Før savning i vægge eller gulve skal man undersøge placeringer af eventuelle rør og ledninger.
- ◆ Brug ikke dette værktøj, når du står i et træ, på en stige eller på en anden ustabil overflade.

Savning af grene

- ◆ Vær opmærksom på, hvor grenen vil falde.
- ◆ Planlæg en sikker undgåelse af nedfaldende grene.
- ◆ Sørg for, at du har et sikkert fodfæste. Bær sikkerhedshjelm, hvis der er risiko for nedfaldende grene.
- ◆ Når du saver en gren, der er under spænding, skal du være opmærksom på at springe tilbage, så du ikke bliver ramt, når spændingen udløses.
- ◆ Undgå at save i små kviste og unge træer, da det spinkle materiale kan gribe fat i savkæden og blive slynget mod dig eller skubbe dig ud af balance.

Funktioner

Dette værktøj har nogle af følgende funktioner eller alle:

1. Afbryder med variabel hastighedskontrol
2. Låseknap
3. Klingens udløserknop
4. Batteri

Fig. A

5. Lader (3 timers model)
6. Opladerholder
7. Lader (1 times model)
8. Opladningsindikator - "ladning i gang"
9. Opladningsindikator - "fuld ladning"

Montering

Advarsel! Før montering skal batteriet altid afmonteres.

Montering og fjernelse af batteriet (fig. B)

- ◆ Sæt batteriet (4) i ved at placeres det på linje med værktøjets batteriholder. Dernæst placeres batteriet i holderen og skubbes på plads.
- ◆ Tag batteriet ud ved at trykke på udløserknappen (10) samtidig med, at batteriet tages ud af batteriholderen.

Montering og demontering af en klinge (fig. C - E)

Klinge

11. Klinge med stor kapacitet
12. Klinge til buet savning
13. Klinge til metalsavning

Montering

- ◆ Anbring klingen over placeringstappen (14).
- ◆ Rotér klingen opad til 90°, til den er helt fast anbragt i savklingerillen (15), og placeringstappen er i låst position.
- ◆ Sørg for, at klingen er sikkert fastgjort, ved at prøve at fjerne den uden at aktivere dens udløserknap (3).

Hvis du ikke kan montere klingen, skal du kontrollere, at placeringstappen sidder i den rigtige position som vist i fig. E. Hvis det ikke er tilfældet, skal du holde klingens udløserknap inde og bruge en skruetrækker til at dreje placeringstappen på plads.

Demontering

- ◆ Hold klingens udløserknap (3) trykket ned, og drej klingen ned til 90°.
- ◆ Tag klingen til siden fra placeringstappen, og skub den ud af værktøjet.
- ◆ Slip klingens udløserknap.

Anvendelse

Advarsel! Lad værktøjet arbejde i dets eget tempo. Det må ikke overbelastes.

Opladning af batteriet (fig. A)

Batteriet skal oplades, før det tages i brug for første gang, og derefter skal der genoplades når maskinen virker træg og ikke længere arbejder med vanlig præstation. Når batteriet oplades for første gang eller efter en længere periode uden at være brugt, kan det kun oplades 80%. Efter adskillige opladnings- og afladningsperioder opnår batteriet fuld kapacitet. Batteriet kan blive opvarmet under opladning; dette er normalt og er ikke ensbetydende med, at der er problemer.

Advarsel! Batteriet må ikke oplades i omgivelsestemperaturer på under 4 °C eller over 40 °C. Anbefalet opladningstemperatur: ca. 24 °C.

Brug af 3 timers oplader

- ◆ Oplad batteriet (4) ved at fjerne det fra værktøjet.
- ◆ Skub opladerholderen (6) hen på batteriet.
- ◆ Sæt opladeren (5) i stikkontakten.

Efter ca. 3 timers opladning er batteriet tilstrækkeligt opladet til brug til generelle anvendelser. Efter ca. 6 timers opladning er batteriet fuldt opladet.

- ◆ Fjern opladerholderen fra batteriet.

Brug af 1 times oplader

- ◆ For at oplade batteriet (4), fjernes det fra værktøjet og sættes ind i laderen (7). Batteriet kan kun sættes ind på én måde. Man må ikke tvinge det. Man skal sikre sig, at batteriet er fuldstændig indsat i laderen.
- ◆ Sæt laderen i stikkontakten.
- ◆ Check, at den røde opladningsindikator (8) lyser. Hvis den grønne ende af opladningsindikatoren (9) lyser, betyder det, at batteriet er for varmt og derfor ikke kan oplades. Hvis dette sker, fjernes batteriet fra opladeren og køles ned i ca. 1 time, hvorefter det kan sættes i laderen igen.

Efter ca. 1 times opladning holder den røde opladningsindikator (8) op med at lyse, og den grønne ende af opladningsindikatoren (9) lyser. Batteriet er nu fuldt opladet.

- ◆ Fjern batteriet fra opladeren.

Start og stop (fig. F)

- ◆ Tænd værktøjet ved at sætte dobbeltlåseknapen (2) i ulåst stilling og samtidig trykke på kontakten til variabel hastighed (1).
- ◆ Sluk værktøjet ved at slippe kontakten til variabel hastighed.

Savning (fig. G)

- ◆ Hold altid værktøjet med begge hænder, hvis det er muligt.
- ◆ Lad klingen køre frit i et par sekunder, før savningen indledes.
- ◆ Tryk kun ganske let på værktøjet under savningen.
- ◆ Brug de samme bevægelser frem og tilbage, som du ville anvende med en normal håndsav. Det giver et hurtigere og renere skær.

Gode råd til optimalt brug

Savning af træ

- ◆ Klem arbejdsområdet godt fast, og fjern alle søm og metalobjekter.
- ◆ For at minimere splintring ved savning af f.eks. laminater kan man spænde et stykke krydsfiner eller et stykke træfiberplade på hver side af arbejdsområdet og derefter skære tværs igennem disse tre lag.

Savning i metal

- ◆ Vær opmærksom på, at savning i metal tager meget længere tid end savning i træ.
- ◆ Brug en savklinge, der er egnet til savning i metal. Brug en fintandet savklinge til jernholdige metaller og en grovere klinge til metaller uden jernindhold.
- ◆ Ved skæring i tyndt plademetall kan man spænde et stykke krydsfiner på bagsiden af arbejdsområdet og derefter skære tværs igennem disse to lag.
- ◆ Påfør et tyndt lag olie langs med savelinjen.

Savning af grene

- ◆ Skær nedad og væk fra kroppen.
- ◆ Lav snittet tæt på hovedgrenen eller træstammen.

Vedligeholdelse

Black & Decker værktøjet er blevet designet til at være i drift gennem en længere periode med en minimal vedligeholdelse. Fortsat tilfredsstillende drift afhænger af korrekt behandling af værktøjet samt regelmæssig rengøring. Opladeren kræver ingen anden vedligeholdelse end regelmæssig rengøring.

Advarsel! Før udførelse af vedligeholdelsesopgaver på værktøjet, skal batteriet fjernes. Tag opladeren ud af stikkontakten, før den rengøres.

- ◆ Man skal regelmæssigt rengøre værktøjets ventilationshuller og oplader med en blød børste eller en tør klud.
- ◆ Man skal regelmæssigt gøre motorhuset rent med en fugtig klud. Man må ikke bruge slibemidler eller opløsningsmidler.

Miljø

Værktøj



Når dit værktøj er udtjent, beskyt da naturen ved ikke at smide det ud sammen med det almindelige affald. Aflever det til de opsamlingssteder, der findes i din kommune eller der hvor du købte værktøjet.

Batterier



Black & Decker batterierne kan genoplades mange gange. Beskyt miljøet ved at aflevere de kasserede batterier på dertil beregnede opsamlingssteder.

- ◆ Afład batteriet fuldstændigt og fjern det fra værktøjet.
- ◆ NiCd og NiMH batterier kan genbruges. Aflever dem til købsstedet eller til den lokale genbrugsstation. Genanvendelige batterier genbruges eller sendes til specielle behandlingsanlæg.

Tekniske data

	CS143(K)	
Spænding	V_{DC}	14,4
Antallet af strøg	min^{-1}	0 - 4.500
Strøglængde	mm	10
Maks. skæredybde	mm	
Træ		100
Stål		3
Plastkrør	Ø	50
Grenbeskæring	Ø	50
Kat. nr. batteri		A14F
Vægt (med batteri)	kg	2,4

Lader	3 timer	1 time
Spænding	V_{AC} 230	230
Opladningstid (ca.)	t 3	1

EU-overensstemmelseserklæring

CS143(K)

Black & Decker erklærer, at disse værktøjer er konstrueret i henhold til:

98/37/EØF, 89/336/EØF, 73/23/EØF, EN 50260, EN 60335, EN 55014, EN 61000

L_{pA} (lydniveau) 89 dB(A), L_{WA} (akustisk styrke) 100 dB(A), hånd/arm vægt vibration 4,02 m/s^2

Kevin Hewitt
 Director of Consumer Engineering
 Spennymoor, County Durham DL16 6JG,
 United Kingdom
 1-2-2004

Reserve dele / reparationer

Reserve dele kan købes hos autoriserede Black & Decker serviceværksteder, som giver forslag til omkostninger og reparerer vore produkter. Oversigt over vore autoriserede værksteder findes på internettet på vor hjemmeside www.blackanddecker.dk samt www.2helpU.com

Garanti

Black & Decker garanterer, at produktet er fri for materielle skader og/eller fabrikationsfejl ved levering til kunden. Garantien er et tillæg til konsumentens lovlige rettigheder og påvirker ikke disse. Garantien gælder indenfor medlemsstaterne af den Europæiske Union og i det Europæiske Frihandelsområde.

Hvis et Black & Decker produkt går i stykker på grund af materiel skade og/eller fabriktionsfejl eller på anden måde ikke fungerer i overensstemmelse med specifikationen, inden for 24 måneder fra købsdatoen, påtager Black & Decker sig at reparere eller ombytte produktet med mindst muligt besvær for kunden.

Garantien gælder ikke for fejl og mangler, der er sket i forbindelse med:

- ◆ normal slitage
- ◆ uheldige følger efter unormal anvendelse af værktøjet
- ◆ overbelastning, hærværk eller overdrevent intensivt brug af værktøjet
- ◆ ulykkeshændelse

Garantien gælder ikke hvis reparationer er udført af nogen anden end et autoriseret Black & Decker værksted.

For at udnytte garantien skal produktet og købskvitteringen indleveres til forhandleren eller til et autoriseret værksted, senest 2 måneder efter at fejlen opdages. For information om nærmeste autoriserede værksted: kontakt det lokale Black & Decker kontor på den adresse som er opgivet i brugsanvisningen. Liste over alle autoriserede Black & Decker serviceværksteder samt servicevilkår er tilgængelig på internettet, på adressen **www.2helpU.com**

Gå venligst ind på vores website **www.blackanddecker.dk** for at registrere dit nye produkt og for at blive holdt ajour om nye produkter og specialtilbud. Der findes yderligere oplysninger om mærket Black & Decker og vores produktsortiment på adressen **www.blackanddecker.dk**

Käyttötarkoitus

Black & Deckerin saha on suunniteltu puun, muovin ja metallin sahaamiseen.

Kone on tarkoitettu kotikäyttöön.

Turvallisuusohjeet

- ◆ **Varoitus!** Akkukäyttöisiä koneita käytettäessä on aina noudatettava mm. seuraavia turvallisuusohjeita, jotta tulipalojen, akkuvuotojen, henkilövahinkojen ja materiaalivaurioiden riski olisi mahdollisimman pieni.
- ◆ Lue käyttöohje huolellisesti ennen koneen käyttöönottoa.
- ◆ Säilytä käyttöohje kaikkien koneen käyttäjien ulottuvilla.

Pidä työskentelyalue siistinä

Poista roskat ja mahdolliset esteet työskentelyalueelta vältyksesi vaurioilta.

Ajattele työskentelyalueen vaikutusta työhösi

Älä altista konetta sateelle äläkä käytä sitä kosteissa tai märissä paikoissa. Järjestä työskentelyalueelle hyvä valaistus. Älä käytä konetta paikassa, jossa on tulipalo- tai räjähdysvaara, esim. palavien nesteiden tai kaasujen läheisyydessä.

Työskentele lasten ulottumattomissa

Älä anna lasten, vieraiden tai eläinten tulla lähelle työskentelyaluetta tai koskea koneeseen.

Pukeudu asianmukaisesti

Älä käytä liian väljiä vaatteita tai koruja. Ne voivat tarttua liikkuviin osiin. Käytä ulkona työskennellessäsi kumihansikkaita ja liukumattomia kenkiä. Jos sinulla on pitkät hiukset, käytä hiusverkkoa.

Suojavaatetus

Käytä aina suojalaseja. Käytä kasvosuojaa, jos työskennellessä syntyy pölyä tai hiukkasia. Käytä kuulosuojaimia, jos melutaso tuntuu epämuksulta.

Älä kurottele

Seiso aina tukevasti ja tasapainossa.

Ole tarkkaavainen

Keskity työhösi. Käytä tervettä järkeä. Älä käytä työkalua, kun olet väsynyt.

Kiinnitä työstökappale kunnolla

Käytä ruuvipuristinta tai -kappaletta, jotta työstökappale pysyy kunnolla kiinni. Näin saat molemmat kädet vapaaksi työhön.

Liitä pölynpoistolaitte

Jos laitteissa on liitäntä pölynpoisto- ja pölynkeräyslaitteistolle, varmista, että ne on kiinnitetty ja niitä käytetään oikein. HUOM! Käytä ainoastaan teollisuuspölynimuria.

Poista avaimet

Poista säätöavaimet ja asennustyökalut koneesta ennen kuin käynnistät sen.

Käytä oikeaa konetta

Käytä konetta ainoastaan sellaiseen työhön, johon se on tarkoitettu. Käytä vain käyttöohjeessa ja tuotekuvastossa suositeltuja tarvikkeita ja lisälaitteita.

Jonkin muun laitteen käyttö voi aiheuttaa onnettomuuden.

Älä ylikuormita konetta.

Tarkista, että kone on kunnossa

Tarkista ennen käyttöä, ettei kone ole vaurioitunut.

Tarkista, etteivät liikkuvat ja muut osat sekä suoja ole viallisia, ja että kaikki muut käyttöön mahdollisesti vaikuttavat tekijät ovat kunnossa. Varmista, että kone toimii oikein ja täyttää tehtävänsä. Älä käytä konetta, jos jokin sen osista on viallinen. Älä käytä konetta, jos se ei käynnisty ja pysähy virrankatkaisijasta. Viallinen osa tulee korjata tai vaihtaa valtuutetussa Black & Deckerin huoltoliikkeessä. Älä koskaan yritä korjata konetta itse.

Poista akku

Poista akku, kun konetta ei käytetä, ennen minkään koneen osan, tarvikkeen tai lisälaitteen vaihtamista, sekä ennen huoltoa.

Vältä tahatonta käynnistämistä

Älä koskaan kanno konetta sormet kiinni virrankatkaisijassa. Varmista, että työkalu on kytketty pois päältä, kun laitat akun työkaluun.

Huolehdi johdon kunnosta

Älä koskaan kanno laturia johdosta äläkä irrota pistoketta virtalähteestä vetämällä johdosta. Suojaa johto kuumuudelta, öljyltä ja teräviltä reunoilta.

Säilytä konetta oikein

Kun kone ei ole käytössä, sen ja akun tulee olla varastoituna kuivaan paikkaan lasten ulottumattomissa.

Hoida työkalua huolellisesti

Pidä työkalu puhtaana ja käytä teräviä teriä tehokasta ja turvallista työskentelyä varten. Noudata huollosta ja tarvikkeiden vaihdosta annettuja ohjeita. Pidä virrankatkaisija ja kädensijat kuivina ja puhtaina öljyistä ja rasvasta.

Korjaukset

Tämä kone täyttää voimassa olevat turvallisuusvaatimukset. Korjauksia saa tehdä vain Black & Deckerin valtuuttama huoltoliike, joka käyttää alkuperäisosa. Muussa tapauksessa käyttäjä saattaa joutua vaaratilanteisiin.

Lisäturvaohjeet akuille ja laturille

Akut

- ◆ Älä koskaan yritä avata akkua.
- ◆ Älä altista akkua vedelle.
- ◆ Älä säilytä akkua paikassa, jonka lämpötila ylittää +40 °C.
- ◆ Lataa akku ainoastaan lämpötilan ollessa +4 °C - +40 °C.
- ◆ Lataa akku käyttäen ainoastaan koneen mukana toimitettua laturia (ks. tekniset tiedot)
- ◆ Ennen lataamista varmista, että akku on kuiva ja puhdas.
- ◆ Käytä koneessa ainoastaan siihen tarkoitettua akkua (ks. tekniset tiedot).
- ◆ Kun poistat akun käytöstä, noudata kappaleessa "Ympäristö" annettuja ohjeita.
- ◆ Äärimmäisissä olosuhteissa akku saattaa vuotaa.

Jos havaitset akusta tulevan nestettä, toimi seuraavasti:

- Kuivaa neste varovasti pois rievulla. Vältä nesteen joutumista iholle.
- Mikäli nestettä joutuu iholle tai silmiin, noudata alla olevia ohjeita:

Varoitus! Akkuneste (25-30 % kaliumhydroksidiliuosta) saattaa olla haitallista. Jos akkunestettä pääsee iholle, huuho se välittömästi vedellä. Neutralisoi akkuneste esim. etikalla tai sitruunamehulla. Jos akkunestettä joutuu silmiin, huuho silmiä runsaalla vedellä vähintään 10 minuuttia, ja ota heti yhteys lääkäriin.

- ◆ Älä polta akkuja.
- ◆ Älä koskaan käytä viallisia akkuja.

Laturi

- ◆ Käytä Black & Decker-laturia ainoastaan koneen mukana toimitetun akun lataamiseen. Muunlaiset akut saattavat räjähtää aiheuttaen henkilö- ja esinevahinkoja.
- ◆ Älä koskaan yritä ladata ei-ladattavia akkuja.
- ◆ Vaihda vialliset johdot välittömästi.
- ◆ Älä altista laturia vedelle.
- ◆ Älä avaa laturia.
- ◆ Älä vahingoita laturia.



Tarkoitettu vain sisäkäyttöön.

Sähköinen turvallisuus



Laturisi on kaksoiseristetty; siksi ei tarvita erillistä maadoitusta. Tarkista, että laturin jännite vastaa verkon jännitettä. Lataa akku ainoastaan mukana toimitetulla laturilla.

Lisäturvaohteet käsisahalle

- ◆ Käytä aina sahanterää, joka sopii työstettävään materiaaliin sekä haluttuun sahausjälkeen.
- ◆ Käytä vain hyväkuntoisia sahanteriä.
- ◆ Pysäyttäessäsi koneen odota, että terän liike on kokonaan pysähtynyt ennen kuin lasket koneen käsistäsi.
- ◆ Kun konetta ei käytetä, aseta se kyljelleen.
- ◆ Pidä kätesi kaukana sahanterästä koneella työskennellessäsi.
- ◆ Käytä ruuvipuristinta tai -penkkiä aina kun se on mahdollista työkalun paikallaan pitämiseksi.
- ◆ Varmista ennen käyttöä, ettei sahausalueella ole esteitä. Kiinnitä erityistä huomiota taustapuolelle.
- ◆ Selvitä putkien ja sähköjohtojen sijainnit ennen seinien ja lattioiden sahaamista.
- ◆ Älä käytä konetta ollessasi, tikkaila tai jollakin muulla epävakaaalla alustalla.

Oksien sahaaminen

- ◆ Varo putoavia oksia.
- ◆ Suunnittele poistumisreitti, sillä sahattu puu saattaa kaatua sinua kohti.
- ◆ Varmista, että seisot tukevasti. Käytä turvakypärää, jos on olemassa putoavien oksien vaara.
- ◆ Kun sahaat pingottunutta oksaa, huomioi, että se voi singota takaisin.
- ◆ Pienten pensaiden tai muun pienen puumateriaalin sahaamista. Taipuisa materiaali voi jumiutua teräkettuun ja iskeä sinua vasten horjuttaen tasapainoasi.

Yleiskuvaus

Tällä koneella on kaikki tai osa seuraavista ominaisuuksista.

1. Virrankatkaisija portaattomalla nopeudensäädöllä
2. Lukitusnappi
3. Terän vapautuspainike
4. Akku

Kuva A

5. Laturi (3 tunnin malli)
6. Laturiliitäntä
7. Laturi (1 tunnin malli)
8. Latausvalo - lataus käynnissä
9. Latausvalo - akku täynnä

Kokoaminen

Varoitus! Poista akku koneesta aina ennen kokoamista.

Akun kiinnittäminen ja poistaminen (kuva B)

- ◆ Kiinnitä akku (4) asettamalla se koneen liitännän kanssa samaan linjaan. Liu'uta akku liitäntään, kunnes se lukittuu paikalleen.
- ◆ Poista akku painamalla vapautusnappia (10) samanaikaisesti, kun vedät akkua irti.

Sahanterän kiinnittäminen ja poistaminen (kuvat C - E)

Sahanterä

11. Suuren kapasiteetin terä
12. Muutosahausterä
13. Metallisahausterä

Kiinnitys

- ◆ Sijoita terä kohdistustapin (14) päälle.
- ◆ Kierrä terää 90° ylöspäin, kunnes se on kokonaan sahanterän aukossa (15) ja kohdistustappi on lukitussa asennossa.
- ◆ Varmista terän hyvä asennus yrittämällä irrottaa se painamatta vapautuspainiketta (3).

Jos et pysty asentamaan terää, tarkista, onko kohdistustappi oikeassa asennossa alla olevan kuvan mukaisesti (kuva E). Jos näin ei ole, pidä terän vapautuspainike painettuna alas ja käytä ruuvitalttaa saadaksesi kohdistustapin oikeaan asentoon.

Poisto

- ◆ Pidä vapautusnappia (3) painettuna ja kierrä sahanterää alaspäin 90°.
- ◆ Ota terä sivuttain ulos kohdistustapista ja liu'uta se pois työkalusta.
- ◆ Vapauta terän vapautuspainike.

Käyttö

Varoitus! Anna koneen käydä omaan tahtiinsa.

Älä ylikuormita sitä.

Akun lataaminen (kuva A)

Akku tulee ladata ennen ensimmäistä käyttökertaa ja aina silloin, kun se ei enää tuota riittävästi virtaa toimintoihin, jotka aikaisemmin hoituivat helposti. Ladatessasi akkua ensimmäistä kertaa tai pitkäaikaisen säilytyksen jälkeen, latautuu se vain 80 %:sti. Usean lataamis- ja tyhjenty miskerran jälkeen akku saavuttaa täyden kapasiteettinsa. Akku voi lämmetä ladattaessa; tämä on normaalia eikä ole merkinä minkäänlaisesta ongelmasta.

Varoitus! Älä lataa akkua alle +4 °C tai yli +40 °C asteen lämpötiloissa. Suositeltu lämpötila lataamiseen on noin +24 °C.

3 tunnin laturin käyttäminen

- ◆ Irrota akku (4) koneesta lataamista varten.
- ◆ Liu'uta akku (6) laturiin.
- ◆ Liitä laturi (5) virtalähteeseen.

Akku on latautunut riittävän täyteen normaalia käyttöä varten noin 3 tunnin lataamisen jälkeen. Akku on latautunut täyteen noin 6 tunnin latauksen jälkeen.

- ◆ Poista akku laturista.

1 tunnin laturin käyttäminen

- ◆ Akun (4) lataamiseksi poista se koneesta ja aseta se laturiin (7). Akku sopii laturiin vain yhdessä asennossa. Älä laita sitä laturiin väkisin. Varmista, että akku on kunnolla laturissa.
- ◆ Liitä laturi virtalähteeseen.
- ◆ Tarkista, että punainen latausvalo (8) palaa.

Mikäli punaisen sijasta palaa vihreä latausvalo (9), on akku liian kuuma, eikä sitä voi ladata. Jos näin tapahtuu, poista akku laturista, anna sen jäähtyä noin tunnin ajan ja aseta se sitten takaisin.

Noin tunnin lataamisen jälkeen punainen latausvalo (8) sammuu ja vihreä latausvalo (9) syttyy. Akku on nyt latautunut täyteen.

- ◆ Poista akku laturista.

Käynnistys ja pysäytys (kuva F)

- ◆ Kytket kone päälle painamalla kahta lukituspainiketta (2) avausasentoon ja purista nopeuden muuttamisen kytkintä (1).
- ◆ Sammuta kone päästämällä irti virrankatkaisijasta.

Sahaaminen (kuva G)

- ◆ Pidä koneesta aina kiinni kahdella kädellä, jos mahdollista.
- ◆ Anna terän liikkua vapaasti muutaman sekunnin ajan ennen kuin aloitat sahaamisen.
- ◆ Paina työkalua vain kevyesti, kun sahaat.
- ◆ Käytä samaa edestakaista liikettä, jota käyttäisit normaalin käsisahan yhteydessä. Tämä mahdollistaa nopeamman ja puhtaamman sahausksen.

Vinkejä parhaimman tuloksen saamiseksi

Puun sahaaminen

- ◆ Kiinnitä työkappale tukevasti ja irrota kaikki naulat ja metalliesineet.
- ◆ Materiaalin repeily voidaan minimoida esimerkiksi laminaattia sahatessa kiinnittämällä puukappale tai vastaava työstökappaleen molemmin puolin ja sahaamalla sitten tämän "kokoonpanon" läpi.

Metallin sahaaminen

- ◆ Muista, että metallin sahaaminen kestää huomattavasti kauemmin kuin puun sahaaminen.
- ◆ Käytä metallin sahaamiseen sopivaa sahanterää. Käytä hienohampaista sahanterää, kun sahaat rautapitoisia metalleja. Käytä karkeampaa sahanterää, kun sahaat muita metalleja.
- ◆ Kun sahaat ohutta metallilevyä, kiinnitä levyn taustapuolelle puukappale. Sahaa sitten tämän "kokoonpanon" läpi.
- ◆ Levitä ohut öljykerros sahauslinjalle.

Oksien sahaaminen

- ◆ Leikkaa alaspäin ja poispäin kehostasi.
- ◆ Tee leikkaus lähelle pääoksa tai puunrunkoa.

Huolto

Black & Deckerin kone on suunniteltu toimimaan mahdollisimman pitkän aikaa mahdollisimman vähällä huollolla. Oikealla huollolla ja säännöllisellä puhdistuksella kone säilyttää suorituskykynsä. Laturi ei tarvitse säännöllisen puhdistamisen lisäksi minkään muunlaista huoltoa.

Varoitus! Poista akku ennen työkalun huoltamista. Irrota laturi virtalähteestä ennen puhdistamista.

- ◆ Puhdista koneen ja laturin ilma-aukot säännöllisesti pehmeällä harjalla tai kuivalla siivousliinalla.
- ◆ Puhdista työkalun kuori säännöllisesti kostealla siivousliinalla. Älä koskaan käytä puhdistamiseen liuotainaineita tai syövyttäviä puhdistusaineita.

Ympäristö

Kone



Kun koneesi on käytetty loppuun, älä heitä sitä tavallisten roskien mukana pois, vaan vie se paikkakuntasi kierrätyskeskukseen tai jätä valtuutettuun Black & Deckerin huoltoliikkeeseen.

Akut



Black & Deckerin akut voidaan ladata useita kertoja. Suojele luontoa viemällä loppuunkäytetyt akut niille tarkoitettuun keräyspaikkaan tai -astiaan.

- ◆ Käytä akku täysin loppuun ja poista se sitten työkalusta.
- ◆ NiCd ja NiMH -akut ovat kierrätettäviä. Voit viedä ne niille tarkoitettuun keräysastiaan tai paikalliseen kierrätyskeskukseen. Kerätyt akut toimitetaan kierrätykseen ja käsitellään asianmukaisesti.

Tekniset tiedot

	CS143(K)	
Jännite	V_{DC}	14,4
Iskuliikkeiden määrä	min^{-1}	0 - 4.500
Iskupituus	mm	10
Suurin sahauspyvyys	mm	
Puu		100
Teräs		3
Muoviputki	\emptyset	50
Karsiminen	\emptyset	50
Akun tuotenro		A14F
Paino (akulla)	kg	2,4

Laturi	3 tunti	1 tunti
Jännite	V_{AC} 230	230
Latausaika (noin)	h 3	1

CE-vaatimustenmukaisuusvakuutus

CS143(K)

Black & Decker vakuuttaa, että nämä työkalut ovat 98/37/EC, 89/336/EEC, 73/23/EEC, EN 50260, EN 60335, EN 55014, EN 61000 mukaiset.

L_{PA} (äänenpaine): 89 dB(A), L_{WA} (ääniteho) 100 dB(A),
tärinätaajuuden painotettu geometrinen keskiarvo 4,02 m/s²

Kevin Hewitt
Director of Consumer Engineering
Spennymoor, County Durham DL16 6JG,
United Kingdom
1-2-2004

Korjaukset / varaosat

Mikäli koneeseen tulee vikaa, jätä se aina Black & Deckerin valtuuttamaan huoltoliikkeeseen korjattavaksi (tiedot löytyvät uusimmasta tuoteluettelostamme tai ottamalla yhteyttä Black & Decker Oy:hyn). Varaosia myyvät valtuutetut Black & Deckerin huoltoliikkeet, ja heiltä voi myös pyytää kustannusarvion koneen korjauksesta.

Tiedot valtuutetuista huoltoliikkeistä löytyvät myös internetistä osoitteesta www.2helpU.com sekä kotisivuiltamme www.blackanddecker.fi

Takuu

Black & Decker Oy takaa, ettei koneessa ollut materiaali- ja/ tai valmistusvikaa silloin, kun se toimitettiin ostajalle. Takuu on lisäys kuluttajan laillisiin oikeuksiin eikä vaikuta niihin. Takuu on voimassa Euroopan Unionin jäsenmaissa ja Euroopan vapaakauppa-alueella (EFTA).

Mikäli Black & Decker -kone hajooa materiaali- ja/ tai valmistusvirheen tai teknisten tietojen epätarkkuuden vuoksi 24 kk:n kuluessa ostopäivästä, Black & Decker korjaa koneen ilman kustannuksia ostajalle tai vaihtaa sen uuteen Black & Decker Oy:n valinnan mukaan.

Takuu ei kata vikoja, jotka johtuvat koneen

- ◆ normaalista kulumisesta
- ◆ ylikuormituksesta, virheellisestä käytöstä tai hoidosta
- ◆ vahingoittamisesta vieraalla esineellä tai aineella tai onnettomuustapauksessa.

Takuu ei ole voimassa, mikäli konetta on korjannut joku muu kuin Black & Deckerin valtuuttama huoltoliike.

Edellytyksenä takuun saamiselle on, että ostaja jättää koneen ja ostokuitin jälleenmyyjälle tai valtuutetulle huoltoliikkeelle viimeistään 2 kuukauden kuluessa vian ilmenemistä. Tiedot valtuutetuista huoltoliikkeistä saa ottamalla yhteyttä Black & Decker Oy:hyn sekä internetistä osoitteesta www.2helpU.com, jossa on myös takuehdot.

Voit vierailla verkkosivuiltamme www.blackanddecker.fi rekisteröidäksesi uuden Black & Decker-tuotteesi ja saadaksesi tietoa uusista tuotteista ja erikoistarjouksista. Saat lisätietoja Black & Deckerin tavaramerkistä ja tuotevalikoimastamme osoitteesta www.blackanddecker.fi

Ενδεδειγμένη χρήση

Το Black & Decker πριόνι σας έχει σχεδιαστεί για πριόνισμα ξύλου, πλαστικών και μετάλλου. Αυτό το εργαλείο προορίζεται μόνο για ερασιτεχνική χρήση.

Οδηγίες ασφαλείας

- ♦ **Προσοχή!** Κατά τη χρήση επαναφορτιζόμενων εργαλείων, θα πρέπει πάντα να λαμβάνονται οι βασικές προφυλάξεις ασφαλείας, για τον περιορισμό του κινδύνου πυρκαγιάς, διάρρηξης υγρού από μπαταρίες, σωματικών βλαβών και υλικών ζημιών.
- ♦ Πριν χρησιμοποιήσετε το εργαλείο διαβάστε προσεκτικά τις παρακάτω οδηγίες.
- ♦ Φυλάξτε το εγχειρίδιο αυτό για μελλοντική αναφορά.

Διατηρείτε καθαρό το χώρο εργασίας

Ακατάστατοι χώροι και πάγκοι εγκυμονούν κίνδυνο τραυματισμού.

Λάβετε υπ' όψη τις επιδράσεις του περιβάλλοντος

Μην εκθέτετε ηλεκτρικά εργαλεία σε υγρασία. Φροντίστε η περιοχή εργασίας να είναι καλά φωτισμένη. Μη χρησιμοποιείτε το εργαλείο αν υπάρχει κίνδυνος να προκληθεί πυρκαγιά ή έκρηξη, π.χ. κοντά σε εύφλεκτα υγρά και αέρια.

Κρατάτε τα παιδιά σε απόσταση

Μην επιτρέπετε σε παιδιά, επισκέπτες ή ζώα να πλησιάζουν στο χώρο εργασίας ή να αγγίζουν το εργαλείο.

Φοράτε τα κατάλληλα ρούχα εργασίας

Μη φοράτε φαρδιά ρούχα ή κοσμήματα. Υπάρχει πιθανότητα να πιαστούν σε κινούμενα μέρη μηχανών. Για υπαίθριες εργασίες συνιστώνται λαστιχένια γάντια και υποδήματα που δε γλιστρούν. Εάν έχετε μακριά μαλλιά φοράτε προστατευτικό διχτάκι.

Ατομική προστασία

Φορέστε προστατευτικά γυαλιά. Φορέστε μάσκα προσώπου ή προστασίας από τη σκόνη, στις περιπτώσεις που η εργασία ενδέχεται να προκαλέσει την παραγωγή σκόνης ή αιωρούμενων σωματιδίων. Φοράτε ωτασπίδες σε περιπτώσεις που η στάθμη του θορύβου σας προκαλεί δυσφορία.

Μη σκύβετε πάρα πολύ

Φροντίστε πάντοτε να έχετε την κατάλληλη στάση και να διατηρείτε την ισορροπία σας.

Να είστε πάντα προσεκτικοί

Παρακολουθείτε την εργασία σας. Ενεργείτε λογικά. Μη χρησιμοποιείτε το εργαλείο όταν είστε κουρασμένοι.

Στηρίξτε με ασφαλή τρόπο το αντικείμενο στο οποίο εργάζεστε

Χρησιμοποιείτε σφιγκτήρες ή μέγγενη για το σκοπό αυτό. Η μέθοδος αυτή είναι ασφαλέστερη και ελευθερώνει και τα δύο σας χέρια για το χειρισμό του εργαλείου.

Συνδέστε τη συσκευή αφαίρεσης σκόνης

Εάν παρέχονται συσκευές για τη σύνδεση συσκευών αφαίρεσης και συλλογής σκόνης, βεβαιωθείτε ότι η σύνδεση και η χρήση τους γίνεται με τον ενδεδειγμένο τρόπο.

Απομακρύνετε από το μηχάνημα τα κλειδιά που χρησιμοποιείτε για τη ρύθμισή του

Πριν βάλετε σε λειτουργία το εργαλείο, βεβαιωθείτε πάντα ότι έχετε βγάλει από αυτό τα κλειδιά για τη ρύθμισή του.

Χρησιμοποιείτε το σωστό εργαλείο

Η ενδεδειγμένη χρησιμοποίηση αναφέρεται σε αυτές τις οδηγίες χρήσεως. Μη χρησιμοποιείτε εργαλεία χαμηλής ισχύος ή προσθήκες για βαριές εργασίες. Το εργαλείο σας θα λειτουργήσει επιτυχέστερα και ασφαλέστερα εάν χρησιμοποιηθεί σύμφωνα με της προδιαγραφές του. Μη ζορίζετε το εργαλείο.

Προσοχή! Τόσο η χρήση εξαρτημάτων ή προσθηκών όσο και η πραγματοποίηση εργασιών που δεν συνιστώνται στις οδηγίες αυτές εγκυμονεί κίνδυνο τραυματισμού.

Ελέγχετε εάν το εργαλείο σας έχει θλάβες

Πριν από τη χρήση, ελέγξτε προσεκτικά το εργαλείο για τυχόν ζημιές. Ελέγξτε για τυχόν κακή ευθυγράμμιση και εμπλοκή των κινούμενων μερών, για μέρη που έχουν σπάσει, για τυχόν ζημιές στους προφυλακτήρες και τους διακόπτες, και γενικά κάθε είδους συνθήκες οι οποίες ενδέχεται να επηρεάσουν τη λειτουργία του εργαλείου. Βεβαιωθείτε ότι το εργαλείο λειτουργεί κανονικά και χρησιμοποιείται για το σκοπό για τον οποίο προορίζεται. Μη χρησιμοποιείτε το εργαλείο αν κάποιο εξάρτημά του παρουσιάζει ελάττωμα. Μη χρησιμοποιείτε το εργαλείο, εάν ο διακόπτης δεν μπορεί να το θέσει εντός ή εκτός λειτουργίας. Φροντίστε για την επισκευή ή αντικατάσταση τυχόν ελαττωματικών εξαρτημάτων από εξουσιοδοτημένο κέντρο επισκευών. Ποτέ μην επιχειρήσετε να επισκευάσετε οι ίδιοι το εργαλείο.

Αφαιρέστε τη μπαταρία

Αφαιρέστε τη μπαταρία όταν το εργαλείο δεν χρησιμοποιείται, προτού αλλάξετε οποιοδήποτε ανταλλακτικό, παρελκόμενο ή εξάρτημα του εργαλείου, και πριν από τη συντήρησή του.

Αποφύγετε την τυχαία εκκίνηση του εργαλείου

Μη μεταφέρετε το εργαλείο έχοντας το δάκτυλό σας πάνω στο διακόπτη εκκίνησης. Βεβαιωθείτε ότι κατά την εισαγωγή της μπαταρίας, το εργαλείο είναι σβηστό.

Μην κακομεταχειρίζεστε το καλώδιο

Ποτέ μη μεταφέρετε το φορτιστή κρατώντας τον από το καλώδιο και μην τον τραβάτε από το καλώδιο για να το βγάλετε από την πρίζα. Φροντίστε το καλώδιο να παραμένει μακριά από τη θερμότητα, τα λάδια και από αιχμηρές ακμές.

Φυλάξτε τα εργαλεία σας σε ασφαλές μέρος

Όταν δεν χρησιμοποιούνται, τα εργαλεία, φορτιστές και οι μπαταρίες πρέπει να αποθηκεύονται σε ξηρό χώρο, μακριά από τα παιδιά.

Συντηρήστε προσεκτικά τα εργαλεία

Φροντίστε τα εργαλεία σας να είναι κοφτερά και καθαρά, ώστε να προσφέρουν υψηλή απόδοση και ασφάλεια κατά τη χρήση τους. Ακολουθήστε τις σχετικές οδηγίες σε ότι αφορά τη συντήρηση και την αλλαγή των εξαρτημάτων. Φροντίστε οι λαβές και οι διακόπτες να είναι στεγνοί, καθαροί και χωρίς λάδια ή γράσα.

Επισκευές

Το εργαλείο αυτό συμμορφώνεται με τις σχετικές προϋποθέσεις ασφαλείας. Οι επισκευές θα πρέπει να γίνονται μόνο από ειδικευμένους τεχνικούς και με τη χρήση αποκλειστικά γνήσιων ανταλλακτικών, διαφορετικά υπάρχει το ενδεχόμενο σοβαρού κινδύνου για το χρήστη.

Επιπρόσθετες οδηγίες ασφαλείας για μπαταρίες και φορτιστές

Μπαταρίες

- Μην επιχειρήσετε ποτέ να την ανοίξετε, για κανένα λόγο.
- Μην την εκθέτετε σε νερό.
- Μην την αποθηκεύετε σε χώρους όπου η θερμοκρασία μπορεί να υπερβεί τους 40 °C.
- Να τη φορτίζετε μόνο σε θερμοκρασία περιβάλλοντος μεταξύ 4 °C και 40 °C.
- Η φόρτιση πρέπει να γίνεται μόνο με το φορτιστή που συμπεριλαμβάνεται με το εργαλείο (βλ. τεχνικά χαρακτηριστικά).
- Πριν από τη φόρτιση, βεβαιωθείτε ότι η μπαταρία είναι στεγνή και καθαρή.
- Χρησιμοποιήστε μόνο το σωστό για το εργαλείο τύπο μπαταρίας (βλ. τεχνικά χαρακτηριστικά).
- Σε ότι αφορά την απόρριψη των μπαταριών, ακολουθήστε τις οδηγίες που παρατίθενται στην ενότητα "Περιβάλλον".
- Σε περίπτωση έκθεσης σε ακραίες συνθήκες, η μπαταρία ενδέχεται να παρουσιάσει διαρροή. Αν παρατηρήσετε υγρά στην μπαταρία, ενεργήστε ως ακολούθως:
 - Σκουπίστε προσεκτικά τα υγρά με ένα πανί. Αποφύγετε την επαφή με το δέρμα.
 - Σε περίπτωση επαφής με το δέρμα ή τα μάτια, ακολουθήστε τις παρακάτω οδηγίες.

Προσοχή! Το υγρό μπαταριών, ένα διάλυμα 25-30% υδροξειδίου του καλίου, μπορεί να είναι βλαβερό. Σε περίπτωση δερματικής επαφής, ξεπλύνετε αμέσως με νερό. Εξουδετερώστε με ήπιο οξύ όπως χυμός λεμονιού ή ξίδι. Σε περίπτωση επαφής με τα μάτια, ξεπλύνετε με άφθονο καθαρό νερό για 10 λεπτά τουλάχιστον. Συμβουλευτείτε γιατρό.

- Μην καίτε την μπαταρία.
- Μην φορτίζετε κατεστραμμένες μπαταρίες.

Φορτιστές

- Χρησιμοποιήστε μόνο το φορτιστή της Black & Decker για τη φόρτιση μπαταριών του τύπου που συνοδεύει το εργαλείο σας. Σε άλλες μπαταρίες ενδέχεται να σημειωθεί διάρρηξη τους, προκαλώντας τραυματισμό και ζημιά.
- Μην επιχειρήσετε ποτέ να επαναφορτίσετε μη επαναφορτιζόμενες μπαταρίες.
- Αντικαταστήστε αμέσως τα ελαττωματικά καλώδια.
- Μην εκθέτετε το φορτιστή σε νερό.

- Μην ανοίγετε το φορτιστή.
- Μη σκαλίζετε το φορτιστή.



Προορίζεται μόνο για χρήση σε κλειστούς χώρους.

Ηλεκτρική ασφάλεια



Ο φορτιστής σας φέρει διπλή μόνωση. Κατά συνέπεια δε χρειάζεται καλώδιο γείωσης. Βεβαιωθείτε ότι η τάση του φορτιστή σας αντιστοιχεί με την τάση του δικτύου σας. Ποτέ μην επιχειρήσετε να υποκαταστήσετε το φορτιστή με κοινή πρίζα ρεύματος.

Πρόσθετες οδηγίες ασφαλείας για σέγες χειρός

- Να χρησιμοποιείτε πάντα τον ενδεδειγμένο τύπο πριονόλαμας για το συγκεκριμένο τεμάχιο εργασίας και για το είδος της κοπής.
- Να χρησιμοποιείτε μόνο πριονόλαμες που βρίσκονται σε άριστη κατάσταση.
- Να σβήνετε πάντα το εργαλείο και να περιμένετε να σταματήσει η πριονόλαμα τελείως πριν ακουμπήσετε το εργαλείο κάτω.
- Όταν δεν χρησιμοποιείται, το εργαλείο θα πρέπει να τοποθετείται στην πλευρά του.
- Κατά την εργασία, φροντίστε τα χέρια σας να βρίσκονται αρκετά μακριά από την πριονόλαμα.
- Όπου είναι δυνατό, χρησιμοποιείτε σφιγκτήρες ή μέγγενη για να στερεώσετε το τεμάχιο εργασίας σας.
- Πριν την χρήση, βεβαιωθείτε ότι δεν υπάρχουν εμπόδια στη περιοχή όπου γίνεται κοπή, ιδιαίτερα στην αντίθετη πλευρά από την κοπή.
- Πριν το πριόνισμα σε τοίχους ή πατώματα, να προσέχετε μην τυχόν υπάρχουν κρυμμένοι αγωγοί και καλώδια.
- Μην χρησιμοποιείται το εργαλείο, όταν στέκεστε πάνω σε δέντρο, σε σκάλα ή άλλες ασταθείς επιφάνειες.

Κοπή κλαδιών

- Προσέξτε σε ποιο σημείο θα πέσουν τα κλαδιά.
- Σχεδιάστε μια ασφαλή έξοδο από τα κλαδιά που πέφτουν.
- Βεβαιωθείτε ότι πατάτε καλά και σταθερά. Φοράτε κράνος ασφαλείας αν υπάρχει κίνδυνος από κλαδιά που πέφτουν.
- Όταν κόβετε ένα κλαδί που είναι υπό πίεση, να προσέχετε για όταν θα αναπηδήσει ώστε να μην σας χτυπήσει όταν απελευθερωθεί από την πίεση.
- Αποφεύγετε την κοπή σε μικρούς θάμνους και δενδρύλλια γιατί τα λεπτά υλικά μπορεί να πιαστούν στη πριονόλαμα και να ιναχτούν προς εσάς ή να σας κάνουν να χάσετε την ισορροπία σας.

Χαρακτηριστικά

Το εργαλείο διαθέτει όλα ή ορισμένα από τα εξής χαρακτηριστικά:

1. Διακόπτης μεταβλητής ταχύτητας
2. Μπουτόν απασφάλισης
3. Κομπι απέλευθέρωσης λεπίδας
4. Μπαταρία

Εικ. Α

5. Φορτιστής (Μοντέλο 3 ωρών)
6. Υποδοχή φορτιστή
7. Φορτιστής (Μοντέλο 1 ώρας)
8. Ενδειξη φόρτισης
9. Ενδειξη τέλους φόρτισης

Συναρμολογηση

Προειδοποίηση! Πριν από τη συναρμολόγηση, αφαιρείτε πάντα την μπαταρία.

Τοποθέτηση και αφαίρεση της μπαταρίας (εικ. Β)

- ♦ Για να τοποθετήσετε την μπαταρία (4), ευθυγραμμίστε την με την υποδοχή πάνω στο εργαλείο. Ολισθήστε τη μπαταρία μέσα στη θήκη και στρώστε τη μέχρι να κομπιώσει στη θέση της.
- ♦ Για να βγάλετε τη μπαταρία, πατήστε το κομπι απέλευθέρωσης (10) και τραβήξτε ταυτόχρονα τη μπαταρία έξω από τη θήκη.

Τοποθέτηση και αφαίρεση πριονόλαμας (εικ. C - E)

Πριονόλαμα

11. Λεπίδα μεγάλης απόδοσης
12. Λεπίδα κοίλης κοπής
13. Λεπίδα κοπής μετάλλου

Τοποθέτηση

- ♦ Τοποθετήστε την λεπίδα πάνω από τον αξονίσκο ασφαλείας (14).
- ♦ Περιστρέψτε τη λεπίδα προς τα πάνω κατά 90° μέχρι να τοποθετηθεί καλά μέσα στην εγκοπή (15) της λεπίδας του πριονιού και ο αξονίσκος ασφαλείας είναι στη θέση ασφαλείας.
- ♦ Βεβαιωθείτε ότι η λεπίδα έχει στερεωθεί καλά προσπαθώντας να την αφαιρέσετε χωρίς να πιέσετε το κομπι απέλευθέρωσης (3) της λεπίδας.

Εάν δεν μπορείτε να τοποθετήσετε την λεπίδα, ελέγξτε αν ο αξονίσκος ασφαλείας είναι στη σωστή θέση όπως φαίνεται στην εικ. Ε. Εάν δεν είναι, κρατήστε πατημένο το κομπι απέλευθέρωσης της λεπίδας και χρησιμοποιήστε ένα κατσαβίδι για να στρέψετε τον αξονίσκο ασφαλείας στην σωστή θέση.

Αφαίρεση

- ♦ Κρατήστε πατημένο το κομπι (3) απέλευθέρωσης της λεπίδας και περιστρέψτε την λεπίδα 90° προς τα κάτω.
- ♦ Βγάλτε τη λεπίδα έξω από τον αξονίσκο ασφαλείας από τα πλάγια και σύρετέ την έξω από το εργαλείο.
- ♦ Απέλευθερώστε το κομπι απέλευθέρωσης της λεπίδας.

Χρήση

Προειδοποίηση! Αφήστε το εργαλείο να λειτουργήσει με το δικό του ρυθμό. Μην το υπερφορτώνετε.

Φόρτιση της μπαταρίας (εικ. Α)

Η μπαταρία πρέπει να φορτιστεί πριν από την πρώτη χρήση και όποτε δεν μπορεί να παράγει αρκετή ισχύ για εργασίες που παλαιότερα εκτελούνταν με ευκολία. Όταν η μπαταρία φορτίζεται για πρώτη φορά ή μετά από παρατεταμένη αποθήκευση, θα φορτιστεί μόνο κατά το 80%. Μετά από μερικούς κύκλους φόρτισης και αποφόρτισης, η μπαταρία θα αποκτήσει πλήρη χωρητικότητα. Η μπαταρία μπορεί να ζεσταθεί κατά τη φόρτιση της. Αυτό είναι φυσιολογικό και δεν είναι ενδεικτικό κάποιου προβλήματος.

Προειδοποίηση! Μη φορτίζετε τη μπαταρία σε θερμοκρασίες περιβάλλοντος κάτω των 4 °C ή άνω των 40 °C. Συνιστώμενη θερμοκρασία φόρτισης: περίπου 24 °C.

Χρήση του φορτιστή 3 ωρών

- ♦ Για να φορτίσετε τη μπαταρία (4), αφαιρέστε την από το εργαλείο.
- ♦ Ολισθήστε την υποδοχή φορτιστή (6) επάνω στην μπαταρία.
- ♦ Βάλτε το φορτιστή (5) στην πρίζα.

Μετά από περίπου 3 ώρες φόρτισης, η μπαταρία θα είναι ικανοποιητικά φορτισμένη για χρήση σε κανονικές εφαρμογές. Μετά από φόρτιση περίπου 6 ωρών, η μπαταρία θα είναι τελειώς φορτισμένη.

- ♦ Αφαιρέστε την υποδοχή φόρτισης από την μπαταρία.

Χρήση του φορτιστή 1 ώρας

- ♦ Για να φορτίσετε τη μπαταρία (4), αφαιρέστε την από το εργαλείο και τοποθετήστε την στο φορτιστή (7). Η μπαταρία μπαίνει στο φορτιστή κατά ένα τρόπο και μόνο. Μην τη ζορίζετε. Βεβαιωθείτε ότι η μπαταρία έχει εφαρμόσει καλά στο φορτιστή.
- ♦ Βάλτε το φορτιστή στην πρίζα.
- ♦ Ελέγξτε αν ανάβει η κόκκινη ένδειξη φόρτισης (8). Αν, αντί για την κόκκινη ένδειξη, ανάβει τώρα η πράσινη ένδειξη τέλους φόρτισης (9), η μπαταρία είναι ιδιαίτερα ζεστή και δεν μπορεί να φορτιστεί. Αν συμβεί αυτό, αφαιρέστε την μπαταρία από το φορτιστή, αφήστε την να κρυώσει για 1 ώρα περίπου και μετά βάλτε την και πάλι στο φορτιστή.

Μετά από περίπου 1 ώρα φόρτισης, ο κόκκινος δείκτης φόρτισης (8) θα σταματήσει να είναι αναμμένος και θα ανάψει ο πράσινος δείκτης τέλους φόρτισης (9). Η μπαταρία είναι πλέον τελειώς φορτισμένη.

- ♦ Αφαιρέστε τη μπαταρία από το φορτιστή.

Θέση εντός και εκτός λειτουργίας (εικ. F)

- ♦ Για να θέσετε σε λειτουργία το εργαλείο, σπρώξτε το κομμάτι απασφάλισης (2) στη θέση ξεκλειδώματος και πιέστε το διακόπτη μεταβλητής ταχύτητας (1).
- ♦ Για να οβήσετε το εργαλείο, απελευθερώστε το διακόπτη ρυθμιζόμενης ταχύτητας.

Πριόνισμα (εικ. G)

- ♦ Εάν είναι εφικτό, κρατάτε πάντα το εργαλείο και με τα δυο χέρια.
- ♦ Αφήστε το δίσκο να κινηθεί ελεύθερα για μερικά δευτερόλεπτα πριν αρχίσετε το πριόνισμα.
- ♦ Ασκήστε μόνο ελαφρά πίεση πάνω στο εργαλείο ενώ εκτελείτε το πριόνισμα.
- ♦ Χρησιμοποιήστε την ίδια κίνηση προς τα εμπρός και προς τα πίσω που θα χρησιμοποιούσατε με ένα τυπικό πριόνι χειρός. Αυτό επιτρέπει γρηγορότερη και καθαρότερη κοπή.

Συμβουλές για άριστη χρήση

Πριόνισμα ξύλου

- ♦ Στερεώστε καλά το προς κατεργασία αντικείμενο και αφαιρέστε όλα τα καρφιά και τα μεταλλικά αντικείμενα.
- ♦ Όταν πρέπει να ελαχιστοποιηθεί η δημιουργία σχιζών, πχ κατά τη κοπή ελασμάτων, στερεώστε ένα κομμάτι ξύλο ή κοντραπλακέ και στις δύο πλευρές του τεμαχίου εργασίας και πριονίστε το όλο μαζί.

Πριόνισμα μετάλλου

- ♦ Λάβετε υπόψη ότι το πριόνισμα μετάλλου απαιτεί περισσότερο χρόνο από ό,τι το πριόνισμα ξύλου.
- ♦ Να χρησιμοποιείτε λεπίδα κατάλληλη για πριόνισμα μετάλλου. Χρησιμοποιήστε δίσκο με λεπτούς οδόντες για σιδηρούχα μέταλλα και τραχύ δίσκο για μη σιδηρούχα μέταλλα.
- ♦ Όταν πριονίζετε λεπτή λαμαρίνα, στερεώστε ένα κομμάτι ξύλο στην πίσω επιφάνεια του τεμαχίου εργασίας και πριονίστε το όλο μαζί.
- ♦ Απλώστε ένα λεπτό στρώμα λαδιού κατά μήκος της γραμμής κοπής.

Κοπή κλαδιών

- ♦ Κόβετε προς τα κάτω και σε απόσταση από το σώμα σας.
- ♦ Βεβαιωθείτε ότι κλείσατε το κεντρικό παρακλάδι ή το κυρίως σώμα.

Συντήρηση

Αυτό το εργαλείο της Black & Decker έχει σχεδιαστεί έτσι ώστε να λειτουργεί για μεγάλο χρονικό διάστημα με την ελάχιστη δυνατή φροντίδα. Η αδιάλειπτη και κανονική λειτουργία του εξαρτάται από τη φροντίδα του εργαλείου και τον τακτικό καθαρισμό του.

Ο φορτιστής σας δεν απαιτεί καμία συντήρηση εκτός από τον τακτικό καθαρισμό του.

Προειδοποίηση! Πριν εκτελέσετε οποιαδήποτε εργασία συντήρησης στο εργαλείο, αφαιρέστε τη μπαταρία από το εργαλείο. Βγάλτε τον φορτιστή από την πρίζα πριν τον καθαρίσετε.

- ♦ Καθαρίζετε τακτικά τις οπές εξερισμού του εργαλείου σας και του φορτιστή με μαλακή βούρτσα ή με στεγνό πανί.
- ♦ Να καθαρίζετε τακτικά το περιβάλλον της μηχανής χρησιμοποιώντας ένα βρεγμένο πανί. Μη χρησιμοποιείτε στυλβωτικά ή υγρά καθαρισμού που περιέχουν διαλυτικές ουσίες.

Προστασία του περιβάλλοντος

Εργαλεία



Η Black & Decker δίνει τη δυνατότητα ανακύκλωσης των προϊόντων και των επαναφορτιζόμενων μπαταριών της που έχουν συμπληρώσει τη διάρκεια ζωής τους. Η υπηρεσία αυτή είναι δωρεάν. Αν θέλετε να χρησιμοποιήσετε την εν λόγω υπηρεσία, επιστρέψτε το προϊόν σας σε οποιοδήποτε εξουσιοδοτημένο κέντρο επισκευών, όπου θα το παραλάβουν εκ μέρους σας.

Μπαταρίες



Οι μπαταρίες Black & Decker μπορούν να επαναφορτιστούν πολλές φορές. Όταν πλέον δεν μπορούν να ξαναχρησιμοποιηθούν, απορρίψτε τις με τρόπο κατάλληλο για το περιβάλλον:

- ♦ Εξαντλήστε πλήρως τη μπαταρία και μετά αφαιρέστε την από το εργαλείο.
- ♦ Οι μπαταρίες NiCd και NiMH είναι ανακυκλώσιμες. Στείλτε τις σε κάποιο εξουσιοδοτημένο κέντρο επισκευών ή στον τοπικό σας σταθμό ανακύκλωσης.

Ενημερωθείτε για το πλησιέστερο κέντρο επισκευών της περιοχής σας, επικοινωνώντας με τα γραφεία της Black & Decker στη διεύθυνση που αναγράφεται στο εγχειρίδιο. Επίσης, για να πληροφορηθείτε τα εξουσιοδοτημένα κέντρα επισκευών της Black & Decker και τις λεπτομέρειες και τους αρμόδιους των υπηρεσιών που παρέχονται μετά την πώληση, μπορείτε ανατρέξετε στο Διαδίκτυο στη διεύθυνση:
www.2helpU.com

Τεχνικά χαρακτηριστικά

	CS143(K)	
Τάση	V_{DC}	14,4
Αριθμός διαδρομών	min^{-1}	0 - 4.500
Μήκος κοπής	mm	10
Μέγιστο βάθος κοπής	mm	
Ξύλο		100
Χάλυβας		3
Πλαστικός σωλήνας	\varnothing	50
Κλάδεμα	\varnothing	50
Κωδ. καταλόγου μπαταρίας		A14F
Βάρος (με μπαταρία)	kg	2,4

Φορτιστής	3 ώρα	1 ώρα
Τάση δικτύου	V_{AC} 230	230
Χρόνος φόρτισης κατά προσέγγιση	h 3	1

Δήλωση συμμόρφωσης ΕΚ

CS143(K)

Black & Decker δηλώνει ότι αυτά τα ηλεκτρικά εργαλεία σχεδιάστηκαν σύμφωνα με:

98/37/ΕΟΚ, 89/336/ΕΟΚ, 73/23/ΕΟΚ, EN 50260, EN 60335, EN 55014, EN 61000

L_{PA} (ηχητική πίεση): 89 dB(A), L_{WA} (ακουστική δύναμη) 100 dB(A), σταθμισμένος τετραγωνικός μέσος όρος επιτάχυνσης 4,02 m/s²



Kevin Hewitt

Διευθυντής μηχανολογίας
Spennymoor, County Durham DL16 6JG,
United Kingdom
1-2-2004

Εγγύηση

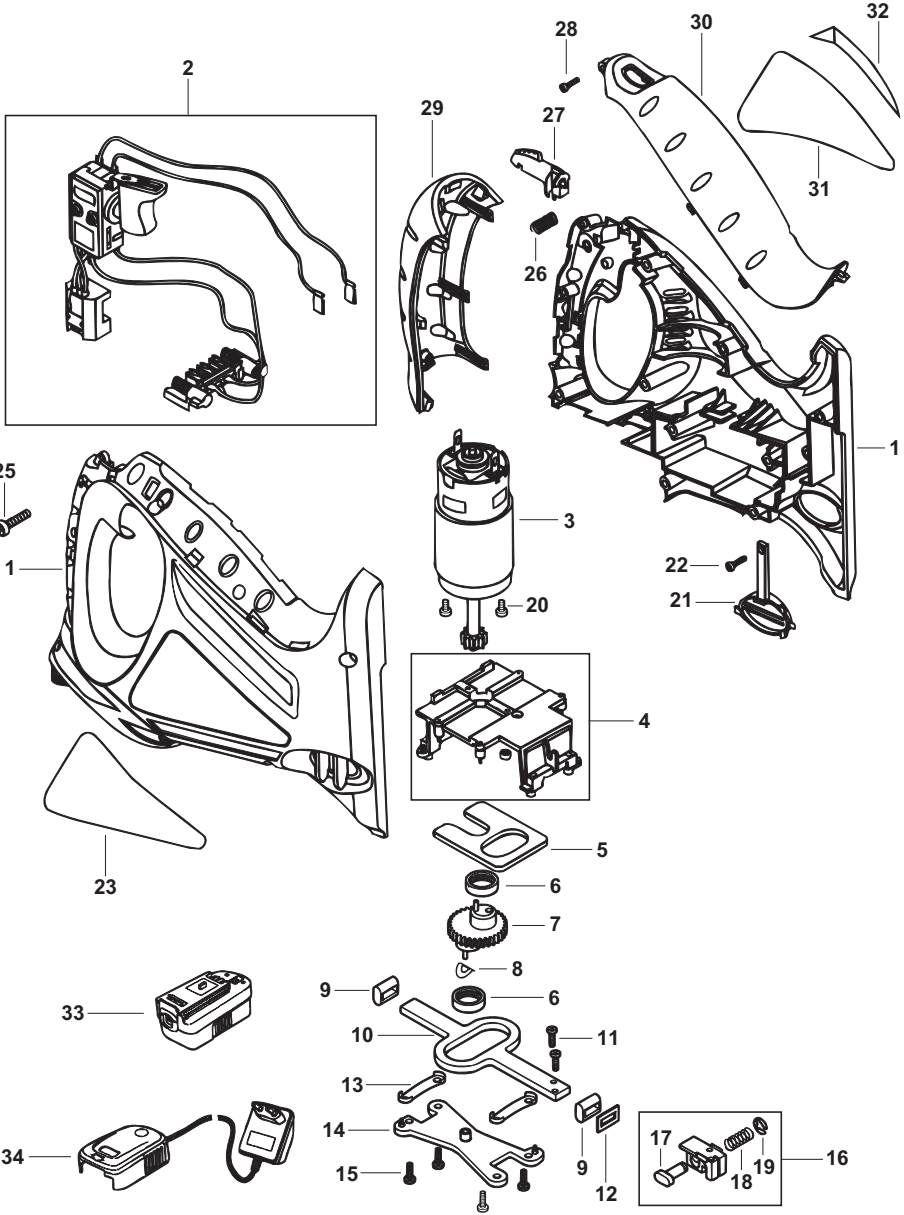
Η Black & Decker είναι σίγουρη για την ποιότητα των προϊόντων της και παρέχει σημαντική εγγύηση. Η παρούσα γραπτή εγγύηση αποτελεί πρόσθετο δικαίωμά σας και δεν ζημιώνει τα συνταγματικά σας δικαιώματα. Η εγγύηση ισχύει εντός της επικράτειας των Κρατών Μελών της Ευρωπαϊκής Ένωσης και της Ευρωπαϊκής Ζώνης Ελευθέρων Συναλλαγών.

Σε περίπτωση που κάποιο προϊόν της Black & Decker παρουσιάσει βλάβη εξαιτίας ελαττωματικών υλικών, ποιότητας εργασίας ή έλλειψης συμφωνίας με τις προδιαγραφές εντός 24 μηνών από την ημερομηνία αγοράς, η Black & Decker εγγυάται την αντικατάσταση των ελαττωματικών τμημάτων, την επισκευή προϊόντων που έχουν υποστεί εύλογη φθορά λόγω χρήσης ή την αντικατάσταση των προϊόντων προκειμένου να εξασφαλίσει την ελάχιστη ενόχληση στους πελάτες της, εκτός αν:

- Το προϊόν έχει χρησιμοποιηθεί σε εργασιακό, επαγγελματικό περιβάλλον ή αν έχει ενοικιαστεί
- Έχει γίνει εσφαλμένη χρήση του προϊόντος ή αν έχει παραμεληθεί
- Το προϊόν έχει υποστεί βλάβη από άλλα αντικείμενα, από ουσίες ή λόγω ατυχήματος
- Έχει γίνει προσπάθεια επισκευής από μη εξουσιοδοτημένα κέντρα επισκευών ή από προσωπικό που δεν ανήκει στο προσωπικό της Black & Decker

Για να ισχύσει η εγγύηση, πρέπει να υποβάλετε απόδειξη αγοράς στον πωλητή ή το εξουσιοδοτημένο κέντρο επισκευών. Ενημερωθείτε για το πλησιέστερο κέντρο επισκευών της περιοχής σας, επικοινωνώντας με τα γραφεία της Black & Decker στη διεύθυνση που αναγράφεται στο εγχειρίδιο. Επίσης, για να πληροφορηθείτε για τα εξουσιοδοτημένα κέντρα επισκευών της Black & Decker, τις λεπτομέρειες και τους αρμόδιους των υπηρεσιών που παρέχονται μετά την πώληση, μπορείτε να ανατρέξετε στο Διαδίκτυο στη διεύθυνση:
www.2helpU.com

Παρακαλούμε να επισκεφτείτε την ιστοσελίδα μας www.blackanddecker.com για να καταχωρήσετε το νέο σας προϊόν Black & Decker και για να ενημερώσετε για τα νέα προϊόντα και τις ειδικές προσφορές. Περισσότερες πληροφορίες σχετικά με τη μάρκα Black & Decker και τη σειρά προϊόντων μας θα βρείτε στη διεύθυνση www.blackanddecker.com



Australia	Black & Decker (Australia) Pty. Ltd. 20 Fletcher Road, Mooroolbark, Victoria, 3138	Tel. 03-8720 5100 Fax 03-9727 5940
Belgique/België	Black & Decker (Belgium) N.V. Campus Noord, Schaliënhoeverdreef 20E 2800 Mechelen	Tel. 015 - 47 92 11 Fax 015 - 47 92 10
Danmark	Black & Decker Hejrevang 26B, 3450 Allerød Internet: www.blackdecker.dk	Tel. 70 20 15 10 Fax 48 14 63 30
Deutschland	Black & Decker GmbH Black & Decker Str. 40, D - 65510 Idstein	Tel. 06126/21 - 0 Fax 06126/21 29 80
Ελλάδα	Black & Decker (Ελλάς) Α.Ε. Στράβωνος 7 & Λεωφ. Βουλιαγμένης 159 166 74 Γλυφάδα - Αθήνα	Τηλ. 210 8981616 Τηλ. 210 8982630 Φαξ Service 210 8983285
España	Black & Decker Ibérica, S.C.A. Parque de Negocios "Mas Blau" Edificio Muntadas, c/Bergadá, 1, Of. A6 08820 El Prat de Llobregat (Barcelona)	Tel. 934 797 400 Fax 934 797 419
France	Black & Decker (France) S.A.S. B.P. 21, 69571 Dardilly Cédex	Tel. 04 72 20 39 20 Fax 04 72 20 39 00
Helvetia	RÖFO AG Gewerbezone Seeblick 3213 Kleinbörsingen	Tel. 026-6749391 Fax 026-6749394
Italia	Black & Decker Italia SpA Viale Elvezia 2 20052 Monza (MI)	Tel. 039-23871 Fax 039-2387592/2387594 Numero verde 800-213935
Nederland	Black & Decker Benelux Joulehof 12, 4622 RG Bergen op Zoom	Tel. 0164 - 283000 Fax 0164 - 283100
New Zealand	Black & Decker 81 Hugo Johnston Drive Penrose, Auckland, New Zealand	Tel. 09 579 7600 Fax 09 579 8200
Norge	Black & Decker (Norge) A/S Postboks 248, Leirdal, 1011 Oslo Internet: www.blackdecker.no	Tlf. 22 90 99 00 Fax 22 90 99 01
Österreich	Black & Decker Vertriebsges.m.b.H Erlaaerstraße 165, 1231 Wien	Tel. 01 66116-0 Fax 01 66116-14
Portugal	Black & Decker Rua Egas Moniz 173 S. João do Estoril 2766-651 Estoril	Tel. 214667500 Fax 214667575
Suomi	Black & Decker Oy Palotie 3, 01610 Vantaa Black & Decker Oy, Brandvägen 3, 01610 Vanda	Puh: (09) 825 4540 Fax: (09) 8254 5444 Tel: (09) 825 4540 Fax: (09) 8254 5444
Sverige	Black & Decker AB Box 603, 421 26 Västra Frölunda, Besöksadr. Ekonomivägen 11	Tel: 031-68 60 00 Fax: 031-68 60 08
Türkiye	İntratek Mühendislik ve Dış Tic. A.Ş. Ortaklar Cad. No:19/2 80290 Mecidiyeköy / İstanbul	Tel. 0212 211 22 10 Faks 0212 266 33 03
United Kingdom	Black & Decker 210 Bath Road Slough, Berkshire SL1 3YD	Tel. 01753 511234 Fax 01753 551155 Helpline 01753 574277
Middle East & Africa	Black & Decker (Overseas) A.G. PB 5420, Dubai, United Arab Emirates	Tel. +971 4 2826464 Fax +971 4 2826466

- ◆ GUARANTEE CARD
- ◆ GARANTIEKAART
- ◆ GARANTI KORT
- ◆ GARANTIEKARTE
- ◆ TARJETA DE GARANTÍA
- ◆ GARANTI KORT
- ◆ CARTE DE GARANTIE
- ◆ CARTÃO DE GARANTIA
- ◆ TAKUUKORTTI
- ◆ TAGLIANDO DI GARANZIA
- ◆ GARANTIBEVIS
- ◆ KAPTA ΕΓΓΥΗΣΗΣ



English

Please complete this section immediately after the purchase of your tool and send it to Black & Decker in your country. If you live in Australia or New Zealand, please register by using the alternative guarantee card supplied.

Deutsch

Bitte schneiden Sie diesen Abschnitt ab, stecken ihn in einen frankierten Umschlag und schicken ihn an die Black & Decker Adresse Ihres Landes.

Français

Découpez cette partie et envoyez-la sous enveloppe timbrée à l'adresse de Black & Decker dans votre pays, ceci immédiatement après votre achat.

Italiano

Per favore ritagliate questa parte, inseritela in una busta con francobollo e spedite la subito dopo l'acquisto del prodotto all'indirizzo della Black & Decker nella vostra nazione.

Nederlands

Knip dit gedeelte uit en zend het direct na aankoop in een gefrankeerde, geaddresseerde envelop naar het adres van Black & Decker in uw land.

Español

Después de haber comprado su herramienta envíe usted, por favor, esta tarjeta a la central de Black & Decker en su país.

Português

Por favor, recorte esta parte, coloque-a num envelope selado e endereçado e envie-o logo após a compra do seu produto para o endereço da Black & Decker do seu país.

Svenska

Var vänlig klipp ur denna del och sänd den i ett frankerat kuvert till Black & Deckers adress i Ditt land.

Norsk

Vennligst klipp ut denne delen umiddelbart etter du har pakket ut ditt produkt og legg det i en adressert konvolutt til Black & Decker (Norge) AS.

Dansk

Venligst klip denne del ud og send frankeret til Black & Decker i dit land.

Suomi

Leikkaa irti tämä osa, laita se kuoreen ja postita kuori paikalliseen Black & Decker osoitteeseen.

Ελληνικά

Παράκατω κόψτε αυτό το κομμάτι και ταχυδρομήστε το μέσω της μετὰ την αγορά του προϊόντος σας στην διεύθυνση της Black & Decker στην Ελλάδα.