

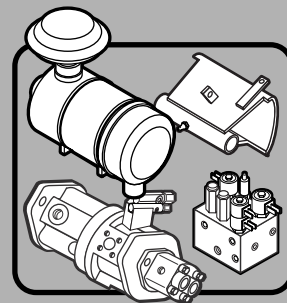


**M-211-1-06**  
For Use With Manual M-211-02R2

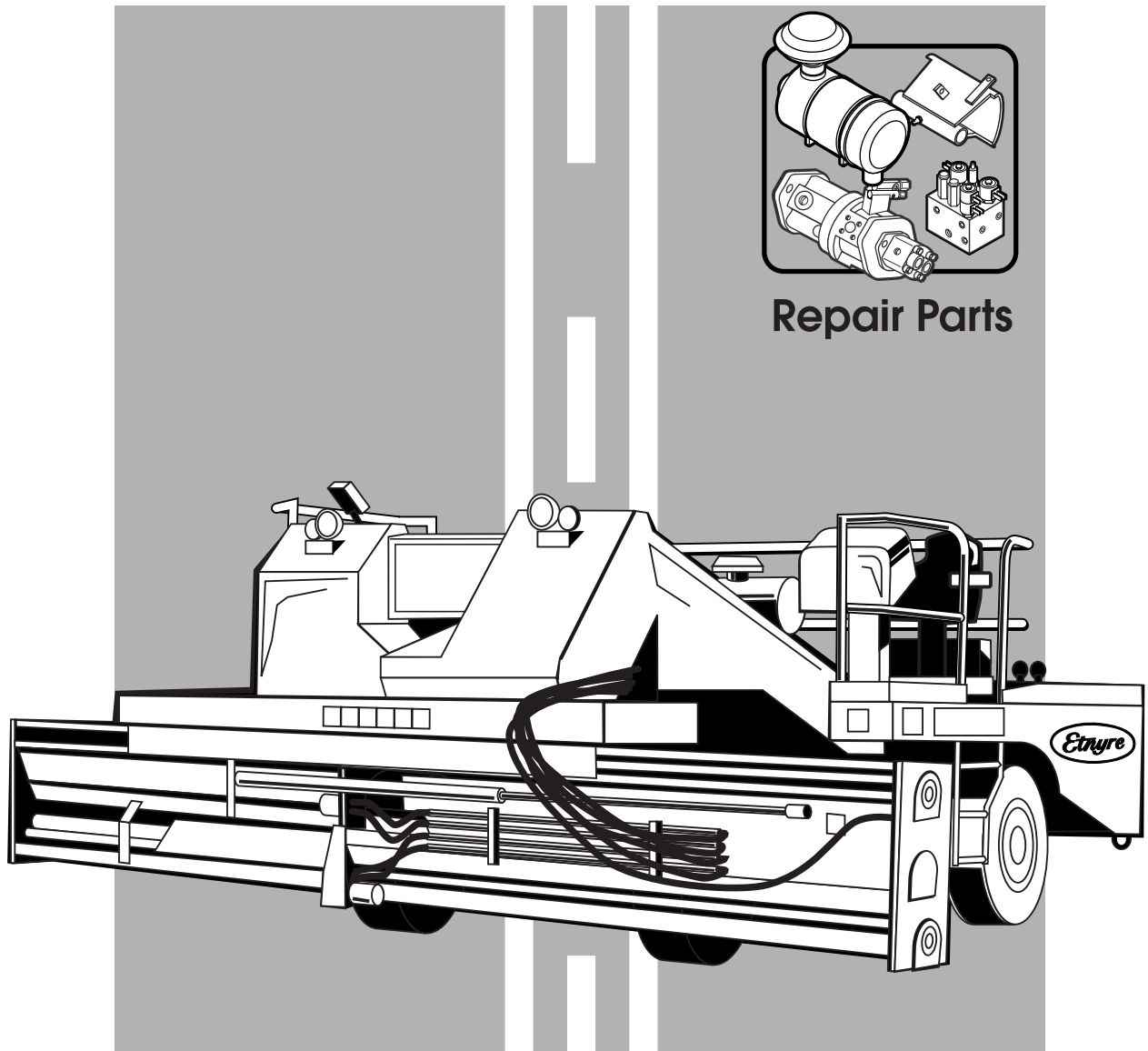
**For Units with Cummins Tier III Engines or Kessler Axles**

**2WD & 4 WD Hydrostatic Drive  
with Variable Width Spread Hopper**

# ChipSpreader



**Repair Parts**



E. D. ETNYRE & CO. 1333 S. Daysville Road, Oregon, Illinois 61061  
Phone: 815/732-2116 or 800/995-2116 • Fax: 800-521-1107 • [www.etnyre.com](http://www.etnyre.com)

**M-211-1-06**

## **VARIABLE HOPPER CHIPSREADER PARTS MANUAL SUPPLEMENT**

### **HOW TO ORDER PARTS**

To assure prompt delivery when ordering parts, please furnish the following information: **1)** Complete name and address of consignee. **2)** Method of shipment preferred. **3)** Is shipment to be prepaid or collect? **4)** Serial numbers of units to which parts apply. **5)** Complete part numbers and descriptions. **6)** Any special instructions. Part numbers beginning with 9250000 are category numbers and must include descriptive term to complete the order (such as, length, color, etc.). These items when listed in the parts manual will indicate what information must be included.

***Specify unit serial number when ordering parts!***

### **WARRANTY**

E.D. Etnyre & Co. warrants to the original Purchaser, it's new product to be free from defects in material and workmanship for a period of twelve (12) months after date of delivery to original Purchaser. The obligation of the Company is limited to repairing or replacing any defective part returned to the Company and will not be responsible for consequential damages or any further loss by reason of such defect.

The company excludes all implied warranties of merchantability and fitness for a particular purpose. There are no warranties, express or implied, which extend beyond the description of the goods contained in this contract.

This warranty does not obligate the Company to bear the cost of machine transportation in connection with the replacement or repair of defective parts, nor does it guarantee repair or replacement of any parts on which unauthorized repairs or alterations have been made or for components not manufactured by the Company except to the extent of the warranty given by the original Manufacturer.

This warranty does not apply to:

- (1) Normal start-up services, normal maintenance services or adjustments usually performed by the selling dealer, factory service representative or customer personnel.
- (2) Any product manufactured by E.D. Etnyre & Co. purchased or subjected to rental use.
- (3) Any product or part thereof which shows improper operation, improper maintenance, abuse, neglect, damage or modification after shipment from factory.
- (4) Any product or part thereof damaged or lost in shipment. Inspection for damage should be made before acceptance or signing any delivery documents releasing responsibility of the delivering carrier.

This warranty and foregoing obligations are in lieu of all other obligations and liabilities including negligence and all warranties of merchantability or otherwise, express or implied in fact or by law.



**E. D. ETNYRE & CO. , Oregon, Illinois 61061-9778**

1333 S. Daysville Road Phone: 815-732-2116 or 800-995-2116

Fax: Main Office 815-732-4277 Fax: Sales and Service 815-732-7400 Fax: Parts Dept Only 800-521-1107

E Mail: sales@etnyre.com Web Site: www.etnyre.com

## Reporting Safety Defects

If you believe that your vehicle has a defect which could cause a crash, injury, or death, you should immediately inform the National Highway Traffic Safety Administration (NHTSA) in addition to notifying E.D. Etnyre & Co.

If NHTSA receives similar complaints, it may open an investigation. If it finds a safety defect exists in a group of vehicles, it may order a recall and remedy campaign. However, NHTSA cannot become involved in individual problems between you, your dealer, or E.D. Etnyre & Co.

To contact NHTSA, you may call the Auto Safety Hotline too-free at 1-800-424-9393 (or 366-0123 in the Washington, D.C. area). Or, you may write to: U.S. Department of Transportation, Washington, D.C. 20696. You may also obtain other information about motor vehicle safety from the Auto Safety Hotline.

E.D. Etnyre & Co., Oregon, Illinois 61061, Phone Area Code 815-732-2116, Cable Address "EDECO".CALIFORNIA

### PROPOSITION 65 WARNING

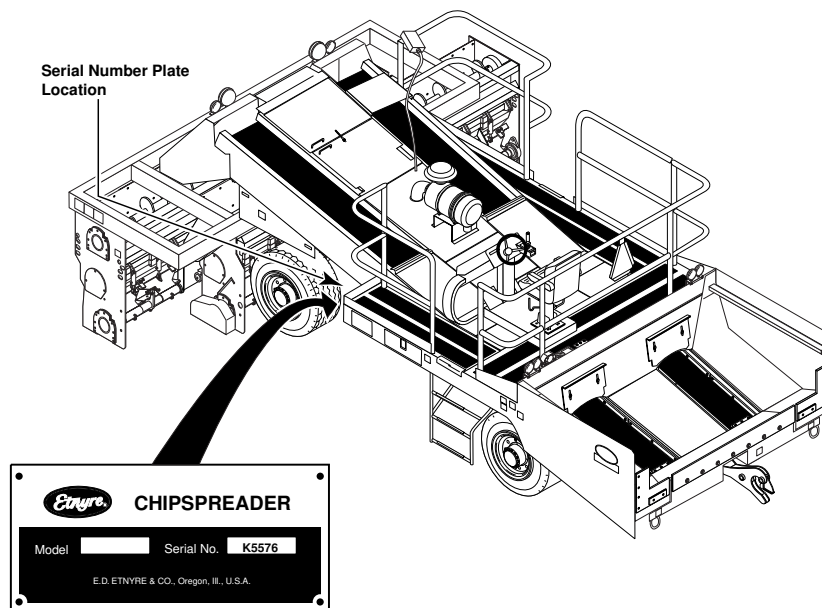
Diesel Engine exhaust and some of its constituents are known to the State of California to cause cancer, birth defects, and other reproductive harm.

Please note this warning and remember -

Always start and operate the engine in a well-ventilated area;

If in an enclosed area, vent the exhaust to the outside;

Do not modify or tamper with the exhaust system.



## WARNING

### Fluoroelastomer handling

Some "O" rings and seals used in this vehicle are made from fluoroelastomers. When used under design conditions, fluoroelastomers do not require special handling. However, when fluoroelastomers are heated to temperatures beyond their design temperature (around 600 degrees Fahrenheit), decomposition may occur with the formation of hydrofluoric acid.

Hydrofluoric acid can be extremely corrosive to human tissue if not handled properly.

A degraded seal may appear as a charred or black sticky mass. Do not touch either the seal or the surrounding equipment without wearing neoprene or PVC gloves if degradation is suspected. Wash parts and equipment with 10% lime water (calcium hydroxide solution) to neutralize any hydrofluoric acid.

If contact with the skin occurs, wash the affected areas immediately with water. Then rub a 2.5 calcium gluconate gel into the skin until there is no further irritation, while seeking prompt medical attention.

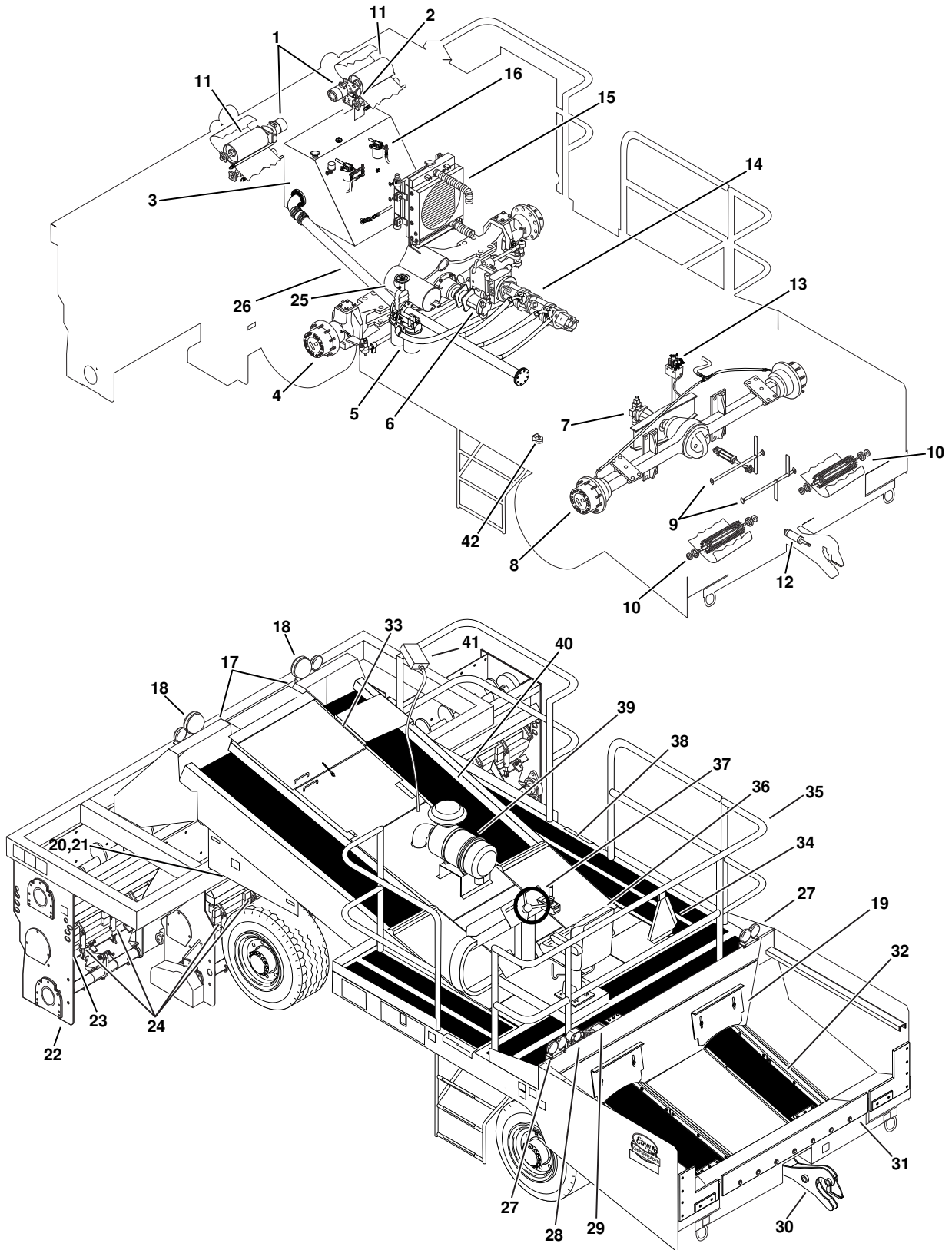
Note to physicians: For advice or treatment of HF Burns, call the DuPont Medical Emergency Number 1-800-441-3637.

This manual covers standard features and options. If your unit incorporates custom features, some of the information contained in this manual may not apply. If you have any questions regarding this manual or your unit, contact your dealer or the E. D. Etnyre Service Department at 1-800-995-2116

# Table Of Contents

How To Order Parts .....	1	Suction Lines .....	28
Reporting Safety Defects .....	2	Front Motor Installation .....	29
Table Of Contents .....	3	Hitch - Power Steering - Brake - Rear Hopper .....	30
General Identification .....	4	Hydraulic Pumps And Rear Motor - 4WD .....	32
Control Console Assy S/N K6162, K-6199, K6212 & Up ..	6	Hydraulic Pumps - 2WD .....	34
Console/Seat Assy S/N K6162, K-6199, K6212 & Up .....	8	Carrier Assembly - Rear Axle Asm - 3111475 .....	36
Power Seat - S/N K6162, K-6199, K6212 & Up .....	10	Carrier Assembly - Front Axle Asm 3111467 .....	37
Left Hopper Assembly - S/N K6212 & Up .....	12	Front Axle - Kessler .....	38
Right Hopper Assembly - S/N K6212 & Up .....	14	Rear Axle - Kessler .....	40
Left Hopper Hydraulic Hoses - S/N K6212 & Up .....	16	Planetary Wheel End - Kessler .....	42
Right Hopper Hydraulic Hoses - S/N K6212 & Up .....	18	Brake Assembly - Kessler .....	43
Radiator - Cooler - Motor Mounts & Axle Connections ...	20	Brake and Steering Hoses 4WD .....	44
Air Intake Assembly - Tier III .....	22	Brake and Steering Hoses 2WD .....	45
Conveyor Arrangement .....	24	Engine & Conveyor Covers & Decking .....	46
Hydraulic Plumbing On Right Side Of Unit .....	26	Handrails And Ladders .....	47
Hydraulic Schematic 3181641 .....	26	Tires And Wheels - Kessler .....	48
Hydraulic Schematic 3181640 .....	27		

### General Identification



## General Identification

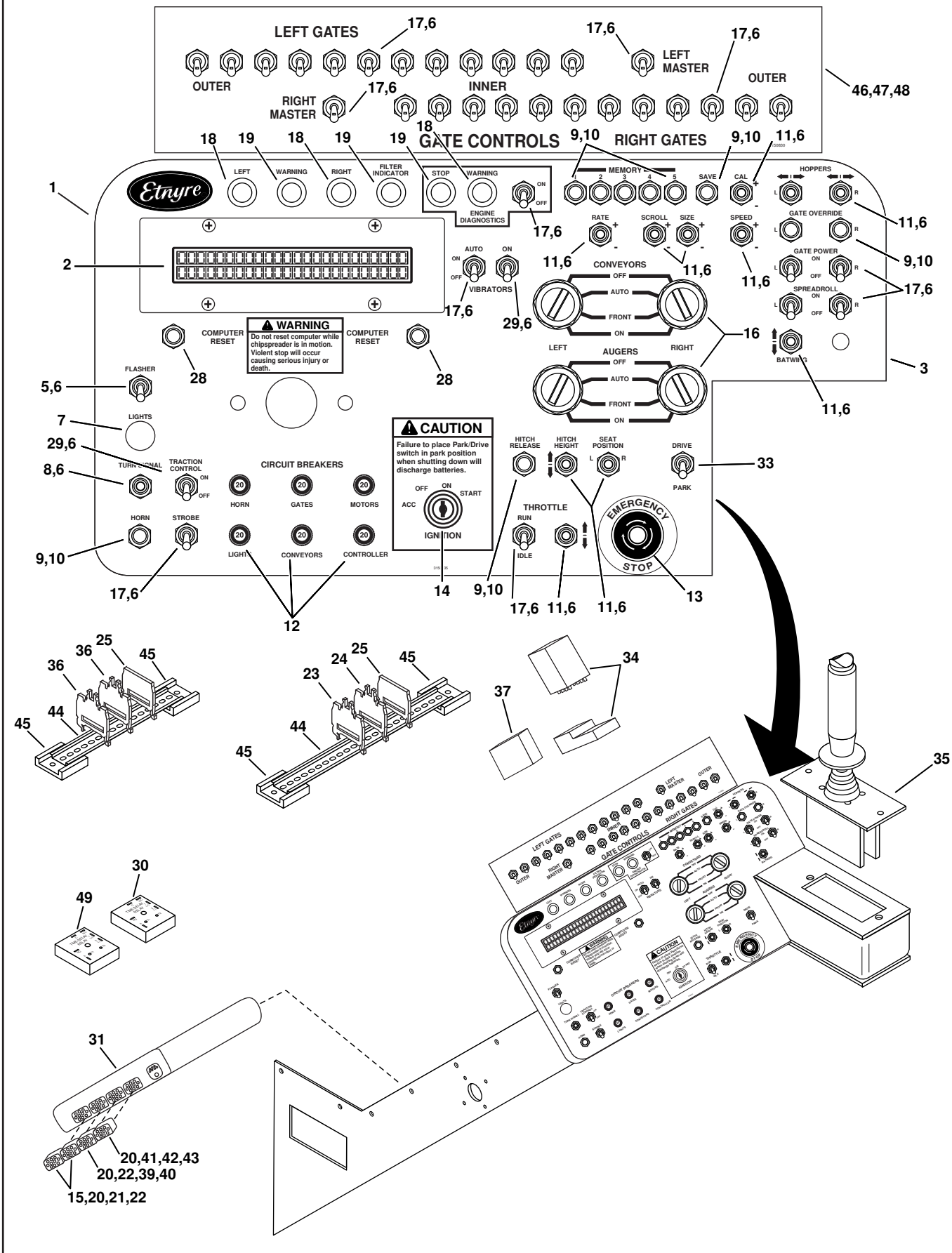
REF	PART NO.	QTY	DESCRIPTION	REF	PART NO.	QTY	DESCRIPTION
1		2	Conveyor Drive Motors				
2		1	Conv/Spreadroll Manifold Asm				
3		1	Hydraulic Reservoir				
4		1	Front Drive Axle				
5		2	Suction Filters				
6		1	Front Hydrostatic Motor				
7		1	Rear Hydrostatic Motor				
8		1	Rear Drive Axle (4WD Shown)				
		1	Rear Axle (2WD)				
9		2	Hitch Position Linkage				
10		2	Tail Pulley Asm				
11		2	Head Pulley Asm				
12		1	Hitch Release Cylinder				
13		1	Manifold-Hitch/Pwr Steer/Brake				
14		4	Hydraulic Pumps				
15		1	Radiator				
		1	Cooler				
16		2	Return Filters				
17		2	Conveyor Hood Asms				
18	3160104	1	Left Head Light Asm				
	3160105	1	Right Head Light Asm				
19	3130406	2	Rear Hopper Flow Gate				
20		1	Gate/Hopper Manifold				
21		1	Spreadroll/Auger Manifold				
22		1	Left Spread Hopper				
23		1	Gate Actuating Cylinder				
24		1	Individual Gate Cylinders				
25		1	Air Reservoir				
26		1	Suction Line to Pumps				
27	3160692	1	Right Taillight Asm				
	3160693	1	Left Taillight Asm				
28	3160688	1	Back Up Alarm				
29		1	Fuel Tank				
30		1	Hitch				
31		AR	Rear Lining				
32		AR	Flashing				
33			Engine/Conveyor Covers/Decking				
34		1	Slow Moving Emblem				
35		4	Handrails				
36		1	Seat Assembly				
37		1	Control Console Asm				
38		AR	Rough Tread				
39		1	Air Intake Asm				
40		2	Conveyor Belt				
41		1	Front Control Box Asm				
42	3160067	1	Horn				

AR - As Required

DECALS & ID

# Control Console Assembly S/N K6162, K-6199, K6212 & Up

CONTROLS





## Control Console Assembly S/N K6162, K-6199, K6212 & Up

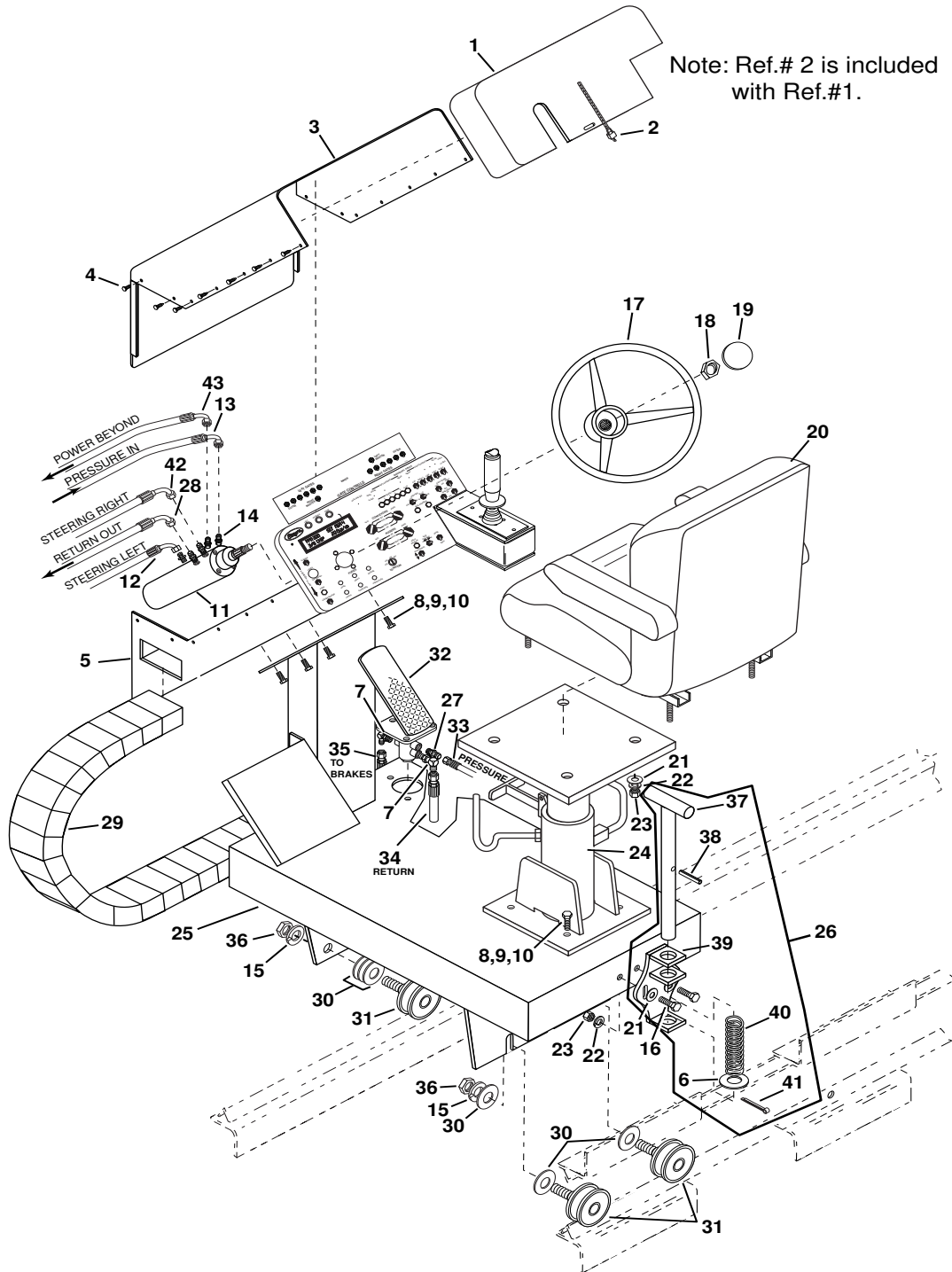
REF	PART NO.	QTY	DESCRIPTION	REF	PART NO.	QTY	DESCRIPTION
1	3150835	1	Overlay-Control Panel,V/H	37	6700921	1	Flasher-12 Volt,Neg. Ground
2	6703687	1	Display-2 x 24 Char	38	6703386	AR	Markers-0/100 Gnd Term (Not Shown)
	5430025	1	Harness-Display/Computer	39	6702544	1	Conn-20 Pin Socket
	3370465	1	Harness-Jumper, Display	40	6702548	1	Strain Relief-Conn.,20 Pin
	7050500	1	Replacement Kit for Display 6703069	41	6702543	1	Connector- 15 Pin Socket
3	6703093	1	Cigarette Lighter	42	6702547	1	Strain Relief-Conn.,15 Pin
4	6701540	1	Resistor-1000 Ohm,1/2 W (Not Shown)	43	6702550	1	Grommet-Connector,15 Pin
5	6700772	1	Switch-Toggle,DPST,2 Pos,Maint.	44	6703390	1	DIN Rail, 1 Meter
6	6703277	AR	Seal-Toggle Switch,34B370AL/Radio	45	3160828	4	Mount-DIN Rail
7	6700188	1	Switch-Push/Pull	46	3150826	1	Gate Control Box
8	6700771	1	Switch-Toggle,SPDT,3 Pos,Maint.	47	6703299	1	Cord Grip-Fitting,0.75 x 0.75
9	6701467	10	Switch-Push Button,Mon,N.O.	48	6001601	2	Isolator-Vibration,w/Stud
10	6701468	10	Seal-Push Button,1.68 x 0.62 Bush	49	6703722	1	Relay-Time Delay,Conveyor
11	6700161	10	Switch-Toggle,SPDT,MOM	50	3160669	1	Harness-Drive Pump (Not Shown)
12	6703139	6	Circuit Breaker-20 Amp	51	3160670	1	Harness-Speed Sensor (Not Shown)
13	6703408	1	Emergency Stop Switch	52	3160671	1	Harness-Left Rear Lights (Not Shown)
14	6702028	1	Switch-Ign,Off,Ign,Start	53	3160677	1	Harness-Right Headlights (Not Shown)
15	6702545	2	Connector-24 Pin Socket HS	54	3160678	1	Harness-Left Headlights (Not Shown)
16	6702483	4	Switch-Rotary,4 Pos.,8 Contact	55	3160679	1	Harness-Right Rear Lights (Not Shown)
17	6702241	AR	Switch-Toggle,SPST,2 Pos,Maint.	56	3160686	1	Harness-Front Control Box (Not Shown)
18	6703502	3	Light-Pilot,Amber,No. PL-20	57	3160722	1	Harness-Hitch Manifold (Not Shown)
19	6703503	3	Light-Pilot,Red,No. PL-20	58	3160730	1	Harness-Hopper Valves (Not Shown)
20	6702546	AR	Contact-Socket,18-26 AWG	59	3160732	1	Harness-Conveyors (Not Shown)
21	6702549	2	Strain Relief-Conn.,24 Pin	60	3160809	1	Harness-Hopper Functions (Not Shown)
22	6702551	3	Grommet-Conn.,20-24 PI	61	3160840	1	Harness-Engine Diagnostics (Not Shown)
23	6703379	AR	Terminal Block-16/22 Ga	62	3160843	1	Harness-Power Cable (Not Shown)
24	6703380	AR	Terminal Block-14/16 Ga	63	3160841	1	Harness-Engine Controls (Not Shown)
25	6703381	AR	End Cap				
26	6703385	1	Marker-0 to 100 (Not Shown)				AR - As Required
27	6703387	4	End Clamp (Not Shown)				
28	6703571	2	Switch-Pushbutton,N.C.,Mom				
29	6703100	1	Switch-Toggle,2 Pos,DPDT,Mom				
30	6703286	1	Relay-Time Delay,Spreadroll				
31	3160823	1	Computer-Chip,2WD,Kessler				
	3160824	1	Computer-Chip,4WD,Kessler				
	7050159	1	Fuse Holder-Inline				
	7050158	1	Fuse-Inline,20A				
32	6702024	1	Alarm-Elec,Hydro (Not Shown)				
33	6703274	1	Switch-Tgl,PTO,Lock Off,2 Pos				
34	6703300	AR	Relay-4PDT				
	6703301	AR	Relay Base				
	6703395	1	Jumper Bar-Ground				
35	3160655	1	Controller-Joystick				
	7050149		Position Microswitch				
	7050150		Potentiometer,10K				
	PD10434		Rocker Microswitch				
	PD10411		Rocker Switch Boot				
	PD10412		Rocker Switch Ring				
	7050157		Shaft Boot				
	PD10267		Handle Shaft				
36	6703382	1	Terminal Block-Gnd, 4 ga				
	6703383	AR	Terminal Block-16/22 ga				

CONTROLS



# Console/Seat Assembly S/N K6162, K-6199, K6212 & Up

CONTROLS



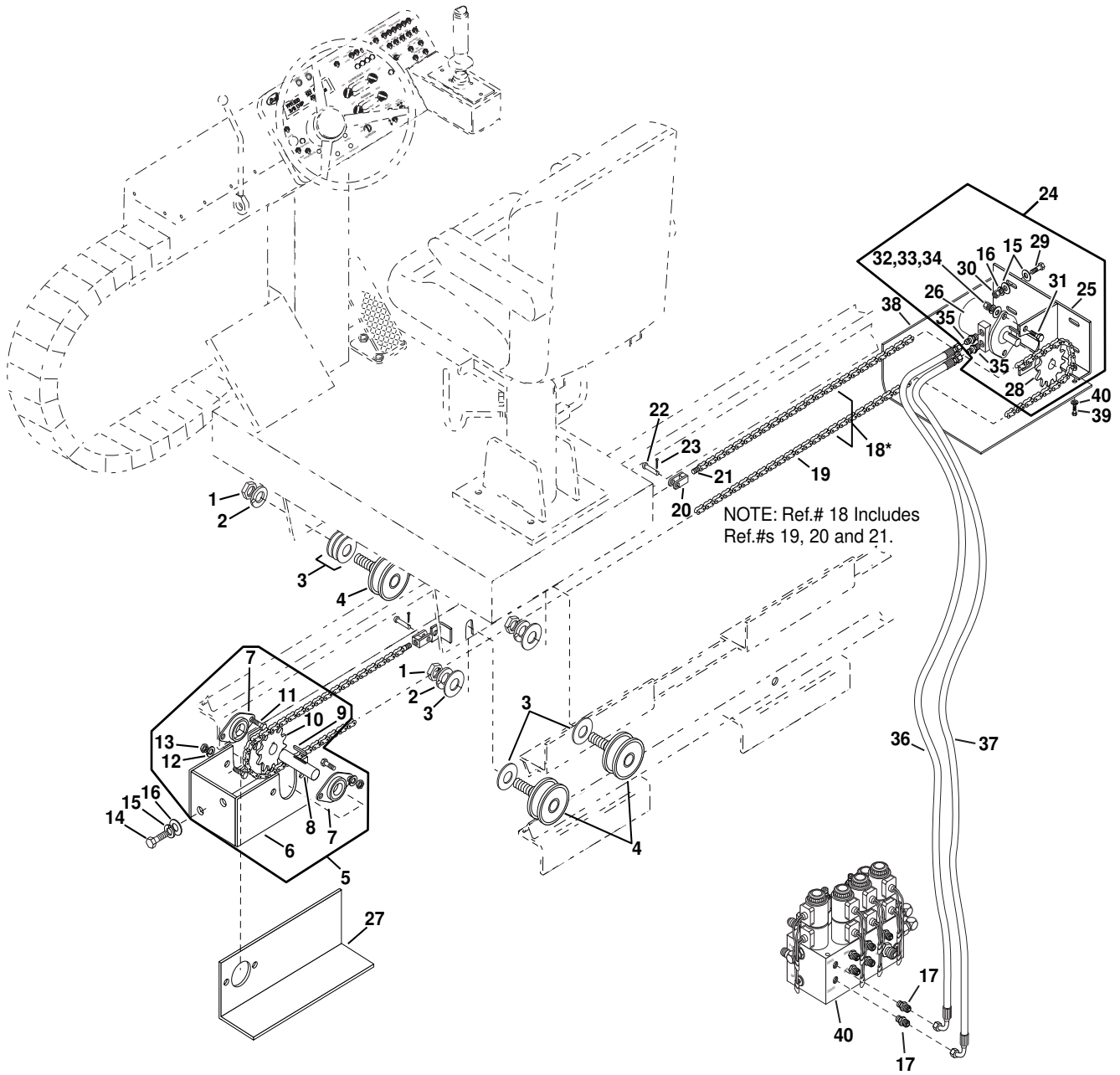
## Console/Seat Assembly S/N K6162, K-6199, K6212 & Up

REF	PART NO.	QTY	DESCRIPTION	REF	PART NO.	QTY	DESCRIPTION
1	3150812	1	Cover Asm-Driver Control Panel	33	3181440	1	Hose Asm-04 x 153,06FJX-06FJX
2	6000544	1	Padlk-Mstr. Lk,W/Chain & Key	34	3181247	1	Hose Asm-06 x 244,04FJX-04FJX90
3	3120953	1	Rear & Upper Console Asm	35	3181241	1	Hose Asm-06 x 162,06FJX-06FJX
4	6100174	10	Screw-Tap,HXSL,0.25 x 0.75,B,PD	36	0426099	4	Nut-Hex,0.75NF,PD
5	3121014	1	Lower Control Panel Asm	37	3150760	1	Pin Asm,Hitch,Seat,CS,Hydro
6	0103347	1	Washer-Flat,0.88A(0.94 x 1.00)	38	0457008	1	Pin-Spring,0.19 x 1.50,HV,PN
7	9410976	2	Elbow-Hyd,90,06MB-06MJ	39	3150823	1	Retainer Asm,Latch
8	0120233	10	Screw-Hex,0.38NC x 1.00,GR2,PD	40	3150764	1	Spring,Comp,Pin,Hitch
9	0120382	10	Washer-Lock,0.38,Spring,PD	41	0103411	1	Pin-Cotter,0.19 x 2.00,PD
10	0120377	10	Nut-Hex,0.38NC,PD	42	3181450	1	Hose Asm-06 x 204,06FJX-06FJX90
11	6603507	1	Steering Unit	43	3181451	1	Hose Asm-06 x 144,06FJX-06FJX90
12	3181436	1	Hose Asm-06 x 204,06FJX-06FJX90				
13	3181439	1	Hose Asm-06 x 138,06FJX-06FJX90				AR - As Required
14	6602153	5	Adapter-Hyd,ST,08MB-06MJ				
15	0131046	4	Washer-Lock,0.75,Spring, PD				
16	0122017	4	Screw-Hex,0.31NC x 1.00,GR2,PD				
17	6601704	1	Wheel-Steering W/Hub,15" Dia.				
18	6601122	1	Nut-Steering Wheel,.812-20UNEF				
19	6001054	1	Cap-Steering Wheel				
20	6001148	1	Seat Asm-Trimline w/Arm Rests				
	7215236	1	Arm Rest -Left				
	7215237	1	Arm Rest -Right				
	6001423	1	Seat Asm-Suspension w/Arm Rests				
21	0446363	6	Washer-Flat,0.31A(0.38 x 0.88), PD				
22	0120214	6	Washer-Lock,0.31,Spring,PD				
23	0120376	6	Nut-Hex,0.31NC,PD				
24	6001079	1	Pedestal-Seat,for 6001148 Seat				
	3102095	1	Pedestal-Seat,for 6001423 Seat				
25	3120964	1	Seat Base Asm				
26	3150824	1	Latch Asm,Seat				
27	6602134	1	Adapter-Hyd,ST,06MB-04MJ				
28	3181445	1	Hose Asm-06x144,06FJX-06FJX90				
29	6603378	1	E-Chain, Enclosed,7.5 Ft. Long				
	7050413	AR	E-Chain Hinged Cover				
	7050414	AR	E-Chain Fixed Cover				
	7050410	1	E-Chain Mounting Kit				
	7050415	AR	LH Side Piece				
	7050416	AR	RH Side Piece				
	7050417	AR	1 Ft Replacement Section				
	7050411	AR	Male Mount				
	7050412	AR	Female Mount				
30	0131000	11	Washer-Flat,0.75A(0.81 x 2.00),PD				
31	6435459	4	Roller-V Grooved Load Runner				
32	6602603	1	Valve-Brake Actuating W/Pedal				
	7430261	1	Seal Kit				
	7430260	1	Pedal				
	7430259	1	Cam				
	7430258	1	Pin				
	7430257	4	E-Ring				
	7430256	1	Pin				
	7430255	1	Base				
	7430254	2	Cap Screw				
	7430253	2	Washer				

CONTROLS

# Power Seat S/N K6162, K-6199, K6212 & Up

CONTROLS



## Power Seat S/N K6162, K-6199, K6212 & Up

REF	PART NO.	QTY	DESCRIPTION	REF	PART NO.	QTY	DESCRIPTION
1	0426099	4	Nut-Hex,0.75NF,PD				
2	0131046	4	Washer-Lock,0.75,Spring,PD				
3	0131000	10	Washer-Flat,0.75A(0.81 x 2.00),PD				
4	6435459	4	Roller-V Grooved Load Runner				
5	3102305	1	Bracket Asm-Idler,Power				
6	3102304	1	Idler Shaft Support Asm				
7	6420105	4	Flange Brg-Ball,2 Blt.0.75STMP				
8	3101987	1	Idler Shaft-Power Seat				
9	6000207	3	Key-0.19 x 0.19CR x 1.00 Rd End				
10	3102022	2	Sprocket-0.75 Bore				
11	6100277	4	Screw-RdSqNk, 0.31NC x 1.00,GR5				
12	0120214	4	Washer-Lock,0.31,Spring,PD				
13	0120376	4	Nut-Hex,0.31NC,PD				
14	0120233	2	Screw-Hex,0.38 x 1.00,GR2,PD				
15	0120388	6	Washer-Flat,0.375,Wide				
16	0120382	6	Washer-Lock,0.38,Spring,PD				
17	9410200	2	Adapter-Hyd,04MB-04MJ				
18	3102308	1	Roller Chain Asm-Long				
19	6430077	AR	Chain-Roller,RC40				
	6430070	2	Link-Conn.RC40				
20	3350232	2	Female End-Adjustable Chain				
21	3350231	2	Male End-Adjustable Chain				
22	6000397	2	Rivet-RdHd,0.25 x 0.88,Drilled				
23	0103374	2	Pin-Cotter,0.09 x 1.00,PD				
24	3102307	1	Motor Mt Asm-Power Seat				
25	3120979	1	Motor Mtg. Bracket Chip Seat				
26	6602796	1	Motor-Hyd,LSHT,3.6 Cu In.				
27	3120978	1	Cover-Idler				
28	3102068	1	Sprocket-RC40,20T,1" Bore				
29	0122145	4	Screw-Hex,0.38NC x 1.25,GR2,PD				
30	0120377	6	Nut-Hex,0.38NC,PD				
31	0120426	2	Screw-Hex,0.50NC x 1.25,GR2,PD				
32	0120390	2	Washer-Flat,0.50A,PD				
33	0120384	2	Washer-Lock,0.50,Spring,PD				
34	0120378	2	Nut-Hex,0.50NC,PD				
35	6602860	2	Adapter-Hyd,ST,10MB-04MJ				
36	3181717	1	Hose Asm-04 x 71,04FJX-04FJX90				
37	3181716	1	Hose Asm-04 x 72,04FJX-04FJX90				
38	3120981	1	Cover-Pwr Seat Motor				
39	0120706	2	Screw-Hex,0.25NC x 0.50,GR2,PD				
40	3181708	1	Hyd Manifold				

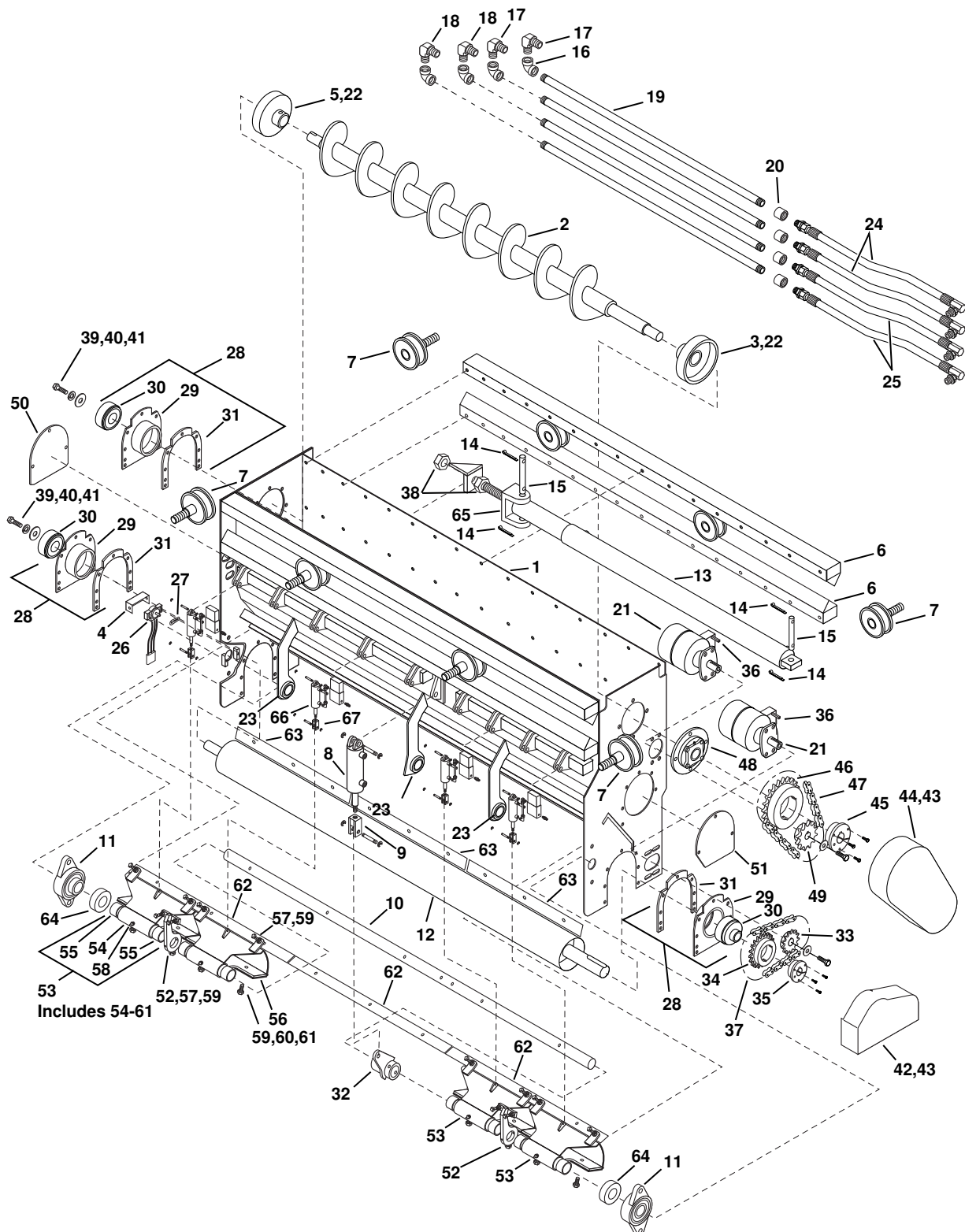
AR - As Required

CONTROLS

# Left Hopper Assembly - S/N K6212 & Up

3142574 - 9Ft.  
 3142576 - 10Ft.  
 3142578 - 11Ft.  
 3142580 - 12Ft.

FRONT HOPPER



## Left Hopper Assembly - S/N K6212 & Up

3142574 - 9Ft.  
3142576 - 10Ft.  
3142578 - 11Ft.  
3142580 - 12Ft.

REF	PART NO.	QTY	DESCRIPTION	REF	PART NO.	QTY	DESCRIPTION
1	3142566	1	Hopper Weldment-9 Ft,Left Hopper	29	3142548	3	Housing Asm-Bearing
	3142568	1	Hopper Weldment-10 Ft,Left Hopper	30	3140083	3	Bearing-Agitator & Spreadroll
	3142570	1	Hopper Weldment-11 Ft,Left Hopper	31	3142549	3	Plate-Spacer, Bearing Housing
	3142572	1	Hopper Weldment-12 Ft,Left Hopper	32	3142784	1	Arm Asm-Hyd Cyl Mt,Buss Shaft
2	3142669	1	Auger Asm-9 Ft,Left Hopper	33	3142539	1	Sprocket-Drive, Spreadroll-Agitator
	3142670	1	Auger Asm-10 Ft,Left Hopper	34	6435466	1	Sprocket-RC60, 1.20T, TLB
	3142671	1	Auger Asm-11 Ft,Left Hopper	35	6435467	1	Bushing-Taperlock, 2012, 1.56"
	3142672	1	Auger Asm-12 Ft,Left Hopper	36	3170061	2	Key-0.38 x 0.38CR x 2.00, RD
3	3141194	1	Housing Asm-Flange Bearing	37	3142564	1	Chain Asm-Spreadroll
4	3142397	1	Guard-Transducer	38	0220088	2	Nut
5	3141190	1	Housing Asm-Bell	39	3140404	2	Disc-Shaft End Hopper
6	3142302	4	Roller Track Asm-9 Ft.	40	0120384	9	Washer-Lock, 0.50, Spring, PD
	3142303	4	Roller Track Asm-10 Ft.	41	0180175	5	Screw-Hex, 0.50NC x 1.25, GR5, PD
	3142304	4	Roller Track Asm-11 Ft.	42	3142555	1	Guard Asm-Spreadroll,LH
	3142305	4	Roller Track Asm-12 Ft.	43	3101533	10	Rod-Guard Hinge
7	6435459	8	Roller-V Grooved Load Runner	44	3142552	1	Guard Asm-Auger
8	6603333	1	Cylinder-Hyd, 2" B x 3 " Stroke	45	6435460	1	Bushing-Taperlock, 2517, 1.5
9				46	6430359	1	Sprocket-RC80-1, 23T, TLB
10	3142786	1	Shaft- Buss,9 Ft.	47	3142565	1	Chain Asm-Auger Drive
	3142787	1	Shaft- Buss,10 Ft.	48	6420192	1	Brg-Flange, Ball, 4 Bolt, 1.94
	3142788	1	Shaft- Buss,11 Ft.	49	3141346	1	Sprocket-Hyd Motor, 12" Auger
	3142789	1	Shaft- Buss,12 Ft.	50	3141872	2	Cover Plate-Hopper End
11	6420225	2	Flange Brg.-Ball,2 Bolt,1.50 Bore	51	3141871	2	Cover Plate-Hopper End,Inside
12	3142518	1	Spreadroll Asm-9 Ft.	52	3142782	AR	Buss Arm Asm
	3142610	1	Spreadroll Asm-10 Ft.	53	3142774	AR	Gate Asm
	3142609	1	Spreadroll Asm-11 Ft.	54	3142772	1	Gate Weldment
	3142608	1	Spreadroll Asm-12 Ft.	55	6420222	2	Bearing-Gate Pivot
13	6603132	1	Cyl-Hyd, 2.5 B x 55 1/8" St,2" Rod-9'	56	3142297	1	Plate-12 In,Scraper
	6603133	1	Cyl-Hyd, 2.5 B x 61 1/4 St,2" Rod-10'	57	0187870	AR	Screw-Sq Hd,3/8NCx1 1/2,Cup,PD
	6603134	1	Cyl-Hyd, 2.5 B x 67 3/8 St,2" Rod-11'	58	9411027	1	Fitting-Lube,Stgt,x1/4
	6603135	1	Cyl-Hyd, 2.5 B x 73 1/2 St,2" Rod-12'	59	0120377	AR	Nut-Hex,3/8NC,PD
	7215228	1	Seal Kit, 3/8NPT Port	60	3100475	2	Screw-cap,Hex,3/8NCx3/4
	7215229	1	Seal Kit, SAE #6 Port	61	0120388	2	Washer-Flat,3/8
14	0103409	4	Pin-Cotter,0.19 x 1.50,PD	62	3142316	AR	Plate-Adjust,Seal,Gate,36 3/4
15	3140918	2	Pin-Cyl., Long, Hop, Extend, Var		3142365	AR	Plate-Adjust,Seal,Gate,24 1/2
16	0119098	4	Elbow-Pipe,90, 0.50NPT,PN	63	3142317	AR	Plate-Wear,Spread Roll,36 3/4
17	6600958	2	Elbow-Hyd,90,08MJ-08MP		3142366	AR	Plate-Wear,Spread Roll,24 1/2
18	6602228	2	Elbow-Hyd,90,06MJ-08MP	64	6420224	AR	Set Collar-1 1/2
19	3181587	4	Pipe-Hopper Motor Line,9',LH	65	3141811	1	Cylinder Mount Asm
	3181589	4	Pipe-Hopper Motor Line,10',LH	66	6602338	AR	Cylinder-Air,1.06x3,DbI Acting
	3181591	4	Pipe-Hopper Motor Line,11',LH	67	6602339	AR	Clevis-Rod,Cyl
	3181593	4	Pipe-Hopper Motor Line,12',LH				
20	0140813	4	Coupling-Pipe,0.50NPT,PN				
21	6602645	2	Motor Hyd,LSHT,12.0 Cir				AR - As Required
22	0102582	2	Screw-Sock,0.31NC x 0.50,CUP, PN				
23	6420223	AR	Bearing-Shaft Pivot				
24	3181577	2	Hose Asm-08x29,08MPX-10MBX90				
25	3181584	2	Hose Asm-08x32,08MPX-10MBX90				
26	6703101	1	Transducer				
27	3142167	1	Transducer Arm				
28	3142547	3	Bearing/Housing Asm				

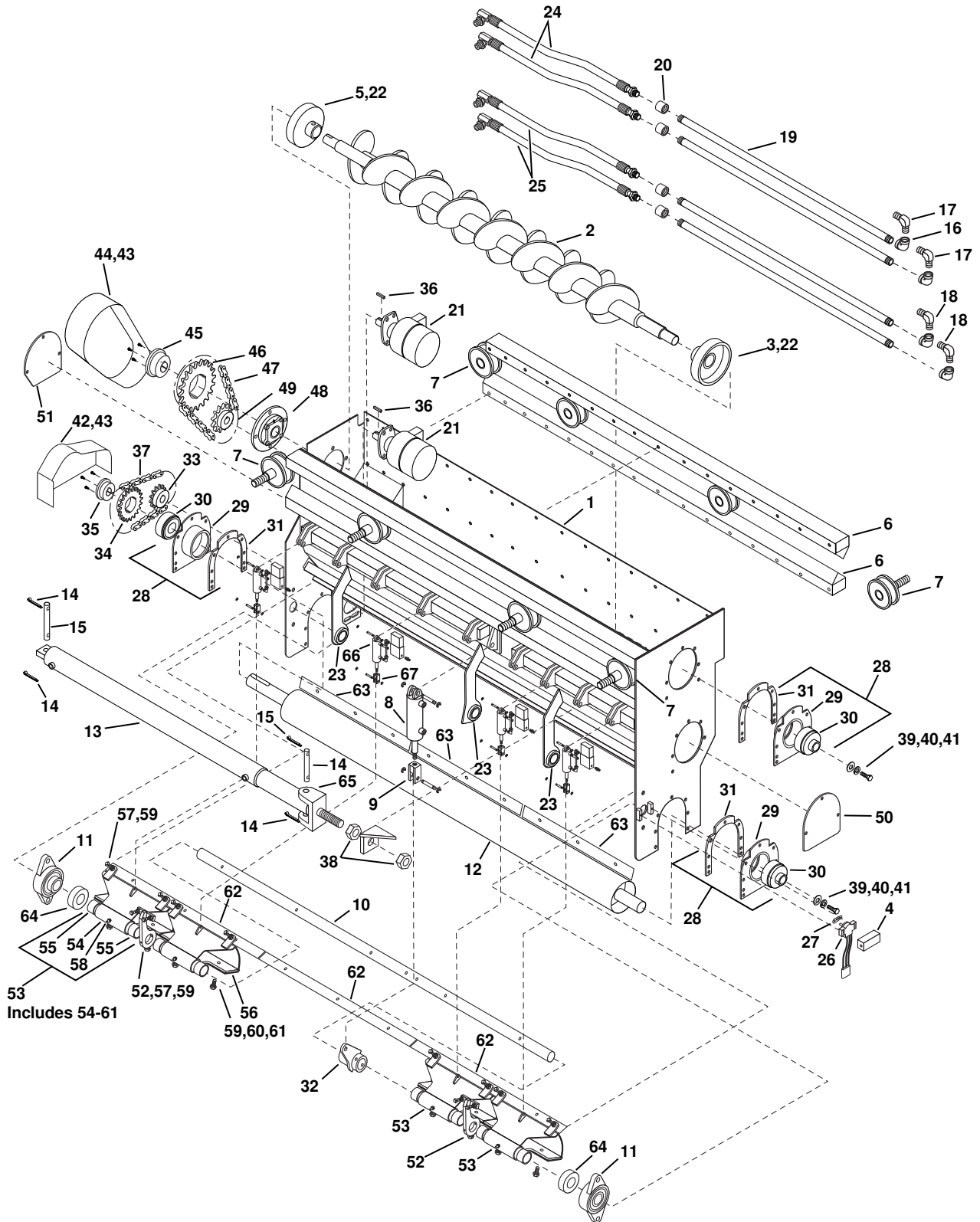
FRONT HOPPER



# Right Hopper Assembly - S/N K6212 & Up

3412948 - 9Ft.  
 3142949 - 10Ft.  
 3142950 - 11Ft.  
 3142951 - 12Ft.

FRONT HOPPER



## Right Hopper Assembly - S/N K6212 & Up

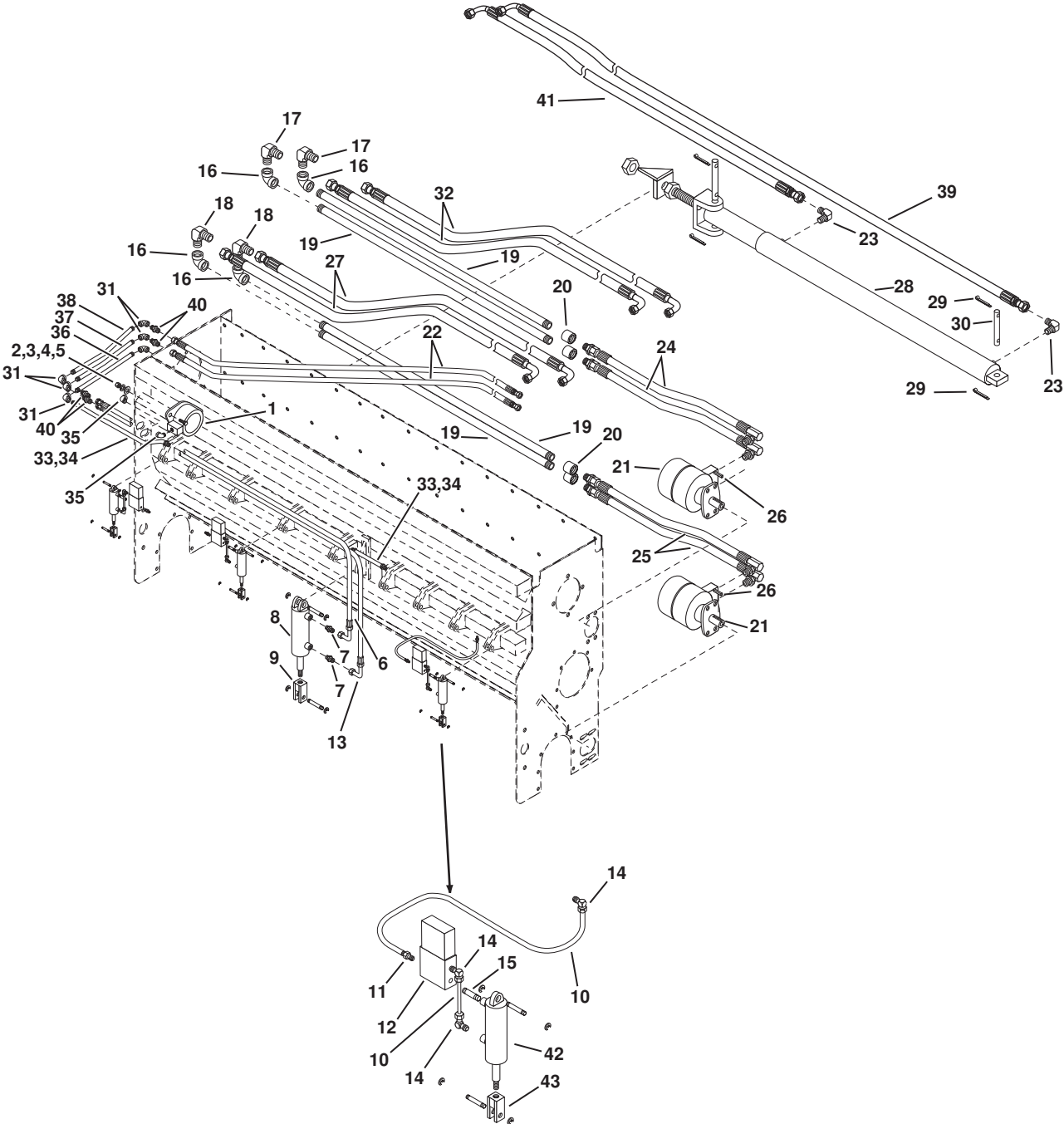
3412948 - 9Ft.  
3412949 - 10Ft.  
3412950 - 11Ft.  
3412951 - 12Ft.

REF	PART NO.	QTY	DESCRIPTION	REF	PART NO.	QTY	DESCRIPTION
1	3142567	1	Hopper Weldment-9 Ft,Right Hopper	29	3142548	3	Housing Asm-Bearing
	3142569	1	Hopper Weldment-10 Ft,Right Hopper	30	3140083	3	Bearing-Agitator & Spreadroll
	3142571	1	Hopper Weldment-11 Ft,Right Hopper	31	3142549	3	Plate-Spacer, Bearing Housing
	3141573	1	Hopper Weldment-12 Ft,Right Hopper	32	3142784	1	Arm Asm-Hyd Cyl Mt,Buss Shaft
2	3142665	1	Auger Asm-9 Ft,Right Hopper	33	3142539	1	Sprocket-Drive, Spreadroll-Agitator
	3142666	1	Auger Asm-10 Ft,Right Hopper	34	6435466	1	Sprocket-RC60, 1.20T, TLB
	3142667	1	Auger Asm-11 Ft,Right Hopper	35	6435467	1	Bushing-Taperlock, 2012, 1.56"
	3142668	1	Auger Asm-12 Ft,Right Hopper	36	3170061	2	Key-0.38 x 0.38CR x 2.00, RD
3	3141194	1	Housing Asm-Flange Bearing	37	3142564	1	Chain Asm-Spreadroll
4	3142397	1	Guard-Transducer	38	0220088	2	Nut
5	3141190	1	Housing Asm-Bell	39	3140404	2	Disc-Shaft End Hopper
6	3142302	4	Roller Track Asm-9 Ft.	40	0120384	9	Washer-Lock, 0.50, Spring, PD
	3142303	4	Roller Track Asm-10 Ft.	41	0180175	5	Screw-Hex, 0.50NC x 1.25, GR5, PD
	3142304	4	Roller Track Asm-11 Ft.	42	3142562	1	Guard Asm-Spreadroll,RH
	3142305	4	Roller Track Asm-12 Ft.	43	3101533	10	Rod-Guard Hinge
7	6435459	8	Roller-V Grooved Load Runner	44	3142552	1	Guard Asm-Auger
8	6603333	1	Cylinder-Hyd,2" B x 3 " Stroke	45	6435460	1	Bushing-Taperlock, 2517, 1.5
9				46	6430359	1	Sprocket-RC80-1, 23T, TLB
10	3142786	1	Shaft- Buss,9 Ft.	47	3142565	1	Chain Asm-Auger Drive
	3142787	1	Shaft- Buss,10 Ft.	48	6420192	1	Brg-Flange, Ball, 4 Bolt, 1.94
	3142788	1	Shaft- Buss,11 Ft.	49	3141346	1	Sprocket-Hyd Motor, 12" Auger
	3142789	1	Shaft- Buss,12 Ft.	50	3141872	2	Cover Plate-Hopper End
11	6420225	2	Flange Brg.-Ball,2 Bolt,1.50 Bore	51	3141871	2	Cover Plate-Hopper End,Inside
12	3142518	1	Spreadroll Asm-9 Ft.	52	3142782	AR	Buss Arm Asm
	3142610	1	Spreadroll Asm-10 Ft.	53	3142774	AR	Gate Asm
	3142609	1	Spreadroll Asm-11 Ft.	54	3142772	1	Gate Weldment
	3142608	1	Spreadroll Asm-12 Ft.	55	6420222	2	Bearing-Gate Pivot
13	6603132	1	Cyl-Hyd,2.5 B x 55 1/8" St,2" Rod-9'	56	3142297	1	Plate-12 In,Scraper
	6603133	1	Cyl-Hyd,2.5 B x 61 1/4 St,2" Rod-10'	57	0187870	AR	Screw-Sq Hd,3/8NCx1 1/2,Cup,PD
	6603134	1	Cyl-Hyd,2.5 B x 67 3/8 St,2" Rod-11'	58	9411027	1	Fitting-Lube,Stgt,x1/4
	6603135	1	Cyl-Hyd,2.5 B x 73 1/2 St,2" Rod-12'	59	0120377	AR	Nut-Hex,3/8NC,PD
	7215228	1	Seal Kit,3/8NPT Port	60	3100475	2	Screw-cap,Hex,3/8NCx3/4
	7215229	1	Seal Kit,SAE #6 Port	61	0120388	2	Washer-Flat,3/8
14	3140918	2	Pin-Cyl.,Long,Hop,Extend, Var	62	3142316	AR	Plate-Adjust,Seal,Gate,36 3/4
15	0103409	4	Pin-Cotter,0.19 x 1.50,PD		3142365	AR	Plate-Adjust,Seal,Gate,24 1/2
16	0119098	4	Elbow-Pipe,90,0.50NPT,PN	63	3142317	AR	Plate-Wear,Spread Roll,36 3/4
17	6600958	2	Elbow-Hyd,90,08MJ-08MP		3142366	AR	Plate-Wear,Spread Roll,24 1/2
18	6602228	2	Elbow-Hyd,90,06MJ-08MP	64	6420224	AR	Set Collar-1 1/2
19	3181588	4	Pipe-Hopper Motor Line,9',RH	65	3141811	1	Cylinder Mount Asm
	3181590	4	Pipe-Hopper Motor Line,10',RH	66	6602338	AR	Cylinder-Air,1.06x3,Dbl Acting
	3181592	4	Pipe-Hopper Motor Line,11',RH	67	6602339	AR	Clevis-Rod,Cyl
	3181594	4	Pipe-Hopper Motor Line,12',RH				
20	0140813	4	Coupling-Pipe,0.50NPT,PN				AR - As Required
21	6602645	2	Motor Hyd,LSHT,12.0 Cir				
22	0102582	2	Screw-Sock,0.31NC x 0.50,CUP, PN				
23	6420223	AR	Bearing-Shaft Pivot				
24	3181578	2	Hose Asm-08x29,08MPX-10MBX90				
25	3181583	2	Hose Asm-08x29.5,08MPX-10MBX90				
26	6703101	1	Transducer				
27	3142167	1	Transducer Arm				
28	3142547	3	Bearing/Housing Asm				

Note: The quantities listed on this page are for one individual hopper.

FRONT HOPPER

# Left Hopper Hydraulic Hoses - S/N K6212 & Up



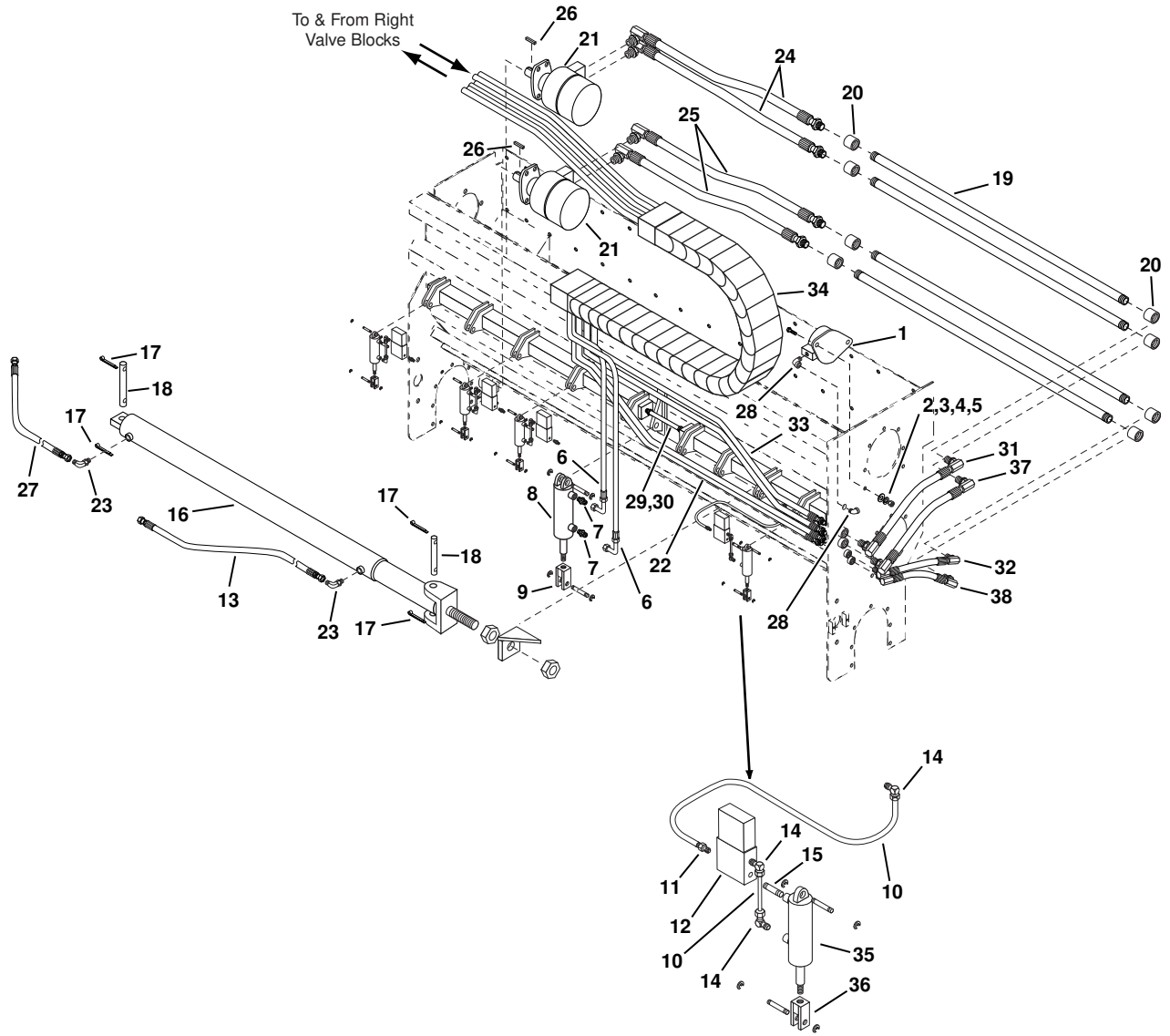
FRONT HOPPER

## Left Hopper Hydraulic Hoses - S/N K6212 & Up

REF	PART NO.	QTY	DESCRIPTION	REF	PART NO.	QTY	DESCRIPTION
1	3160691	1	Switch Asm-Auto Auger		3181516	2	Hose Asm-06x125,06FJX90-06FJX,12 Ft
	7530041	1	Diaphragm-Silicone,Switch	28	6603132	1	Cyl-Hyd,2.5 B x 55 1/8" St,2" Rod-9'
	6703126	1	Spring-Comp. Bin Switch		6603133	1	Cyl-Hyd,2.5 B x 61 1/4 St,2" Rod-10'
2	0122017	2	Screw-Hex,5/16NCx1,GR2,PD		6603134	1	Cyl-Hyd,2.5 B x 67 3/8 St,2" Rod-11'
3	0120376	2	Nut-Hex,5/16NC,PD		6603135	1	Cyl-Hyd,2.5 B x 73 1/2 St,2" Rod-12'
4	0120214	2	Washer-Lock,5/16,Spring,PD		7215228	1	Seal Kit, 3/8NPT Port
5	0446363	4	Washer-Flat,5/16,PD		7215229	1	Seal Kit,SAE #6 Port
6	3181557	1	Hose Asm-04x72,04FJX90-04FJX	29	3140918	2	Pin-Cyl.,Long, Hop, Extend, Var
	3181558	1	Hose Asm-04x83,04FJX90-04FJX	30	0103409	4	Pin-Cotter,0.19 x 1.50,PD
	3181559	1	Hose Asm-04x73,04FJX90-04FJX	31	0105413	6	Elbow-Pipe,90,0.25NPT,PN
	3181560	1	Hose Asm-04x84,04FJX90-04FJX	32	3181517	2	Hose Asm-08x117,08FJX-08FJX90,9 Ft
7	6602134	2	Adapter-Hyd,ST,06MB-04MJ		3181518	2	Hose Asm-08x117,08FJX-08FJX,10 Ft
8	6603333	1	Cylinder-Hyd,2" Bore x 3" Stroke		3181519	2	Hose Asm-08x117,08FJX-08FJX90,11 Ft
9					3181520	2	Hose Asm-08x125,08FJX-08FJX,12 Ft
10	Q444884	AR	Tube-Nylon,Air,1/4	33	6600324	AR	Hose-Air,Push On,3/8
11	6602904	AR	Adapter-Air,St,04Tube-02MPX	34	6600305	AR	Hose End-Air,Push On
12	6602901	AR	Valve-Air,Sol,4Way,2Pos	35	0108686	2	Elbow-Pipe,90,ST,0.50NPT,PN
13	3181553	1	Hose Asm-04x74,04FJX90-04FJX	36	3181596	1	Pipe-Hyd,LH Hopper,Lower
	3181554	1	Hose Asm-04x85,04FJX90-04FJX	37	3181597	1	Pipe-Air,LH Hopper,Mid
	3181555	1	Hose Asm-04x75,04FJX90-04FJX	38	3181598	1	Pipe-Hyd,LH Hopper,Upper
	3181556	1	Hose Asm-04x86,04FJX90-04FJX	39	3181525	1	Hose Asm-06x166,06FJX90-06FJX,9 Ft
14	6602903	AR	Adapter-Air,90,04Tube-02MPX		3181526	1	Hose Asm-06x168,06FJX-06FJX,10 Ft
15	0192042	AR	Nipple-Pipe,Sch 40,1/8 x 1 1/2		3181527	1	Hose Asm-06x164,06FJX-06FJX,11 Ft
16	0119098	4	Elbow-Pipe,90,0.50NPT,PN		3181528	1	Hose Asm-06x171,06FJX90-06FJX,12 Ft
17	6600958	2	Elbow-Hyd,90,08MJ-08MP	40	6601381	4	Adapter-Hyd,ST,04MP-04MJ
18	6602228	2	Elbow-Hyd,90,06MJ-08MP	41	3181521	1	Hose Asm-06x106,06FJX90-06FJX,9 Ft
19	3181587	4	Pipe-Hopper Motor Line,9',LH		3181522	1	Hose Asm-06x104,06FJX-06FJX,10 Ft
	3181589	4	Pipe-Hopper Motor Line,10',LH		3181523	1	Hose Asm-06x96,06FJX-06FJX,11 Ft
	3181591	4	Pipe-Hopper Motor Line,11',LH		3181524	1	Hose Asm-06x95,06FJX90-06FJX,12 Ft
	3181593	4	Pipe-Hopper Motor Line,12',LH	42	6602338	AR	Cylinder-Air,1.06x3,DbI Acting
20	0140813	4	Coupling-Pipe,0.50NPT,PN	43	6602339	AR	Clevis-Rod,Cyl
21	6602645	2	Motor Hyd,LSHT, 12.0 Cir	44	3160744	1	Harness-Lt Hopper,9 Ft, (Not Shown)
22	3181529	2	Hose Asm-04x153,04FJX90-04FJX,9 Ft		3160741	1	Harness-Lt Hopper,10 Ft, (Not Shown)
	3181530	2	Hose Asm-04x166,04FJX-04FJX, 10 Ft		3160746	1	Harness-Lt Hopper,11 Ft, (Not Shown)
	3181531	2	Hose Asm-04x174,04FJX-04FJX, 11 Ft		3160743	1	Harness-Lt Hopper,12 Ft, (Not Shown)
	3181532	2	Hose Asm-04x187,04FJX-04FJX, 12 Ft				
23	9410976	2	Elbow-Hydr,90,06MB-06MJ				AR - As Required
24	3181577	2	Hose Asm-08x28,08MPX-10MBX90				
25	3181584	2	Hose Asm-08x32,08MPX-10MBX90				
26	3170061	2	Key-0.38 x 0.38CR x 2.00, RD				
27	3181513	2	Hose Asm-06x117,06FJX90-06FJX,9 Ft				
	3181514	2	Hose Asm-06x117,06FJX90-06FJX,10 Ft				
	3181515	2	Hose Asm-06x117,06FJX90-06FJX,11 Ft				

FRONT HOPPER

# Right Hopper Hydraulic Hoses - S/N K6212 & Up



## Right Hopper Hydraulic Hoses - S/N K6212 & Up

REF	PART NO.	QTY	DESCRIPTION	REF	PART NO.	QTY	DESCRIPTION
1	3160691	1	Switch Asm-Auto Auger	22	3181749	2	Hose Asm-06x158,06FJX-06FJX,9 Ft
	7530041	1	Diaphragm-Silicone,Switch		3181753	2	Hose Asm-06x166,06FJX-06FJX,10 Ft
	6703126	1	Spring-Comp. Bin Switch		3181761	2	Hose Asm-06x179,06FJX-06FJX,11 Ft
	6702238	1	Switch-Diaphragm		318158	2	Hose Asm-06x187,06FJX-06FJX,12 Ft
2	0122017	2	Screw-Hex,5/16NCx1,GR2,PD	23	9410976	2	Elbow-Hydr,90,06MB-06MJ
3	0120376	2	Nut-Hex,5/16NC,PD	24	3181578	2	Hose Asm-08x29,08MPX-10MBX90
4	0120214	2	Washer-Lock,5/16,Spring,PD	25	3181583	2	Hose Asm-08x29.5,08MPX-10MBX90
5	0446363	4	Washer-Flat,5/16,PD	26	3170061	2	Key-0.38 x 0.38CR x 2.00, RD
6	3181750	2	Hose Asm-04x168,04FJX90-04FJX,9Ft	27	3181569	1	Hose Asm-06x132,06FJX-06FJX,9 Ft
	3181755	2	Hose Asm-04x179,04FJX90-04FJX,10Ft		3181570	1	Hose Asm-06x131,06FJX-06FJX,10 Ft
	3181763	2	Hose Asm-04x190,04FJX90-04FJX,11Ft		3181571	1	Hose Asm-06x133,06FJX-06FJX,11 Ft
	3181760	2	Hose Asm-04x201,04FJX90-04FJX,12Ft		3181572	1	Hose Asm-06x174,06FJX-06FJX,12 Ft
7	6602134	2	Adapter-Hyd,ST,06MB-04MJ	28	0108686	2	Elbow-Pipe,90,ST,0.50NPT,PN
8	6603333	1	Cylinder-Hyd,2" Bore x 3" Stroke	29	6600324	AR	Hose-Air,Push On,3/8
9				30	6600305	AR	Hose End-Air,Push On
10	Q444884	AR	Tube-Nylon,Air,1/4	31	3181585	1	Hose Asm-08x19,08MBX90-08MPX90
11	6602904	AR	Adapter-Air,St,04Tube-02MPX	32	3181579	1	Hose Asm-06x13.13,06MBX90-06MPX90
12	6602901	AR	Valve-Air,Sol,4Way,2Pos	33	3181748	2	Hose Asm-08x158,08FJX-08FJX,9 Ft
13	3181573	1	Hose Asm-06x192,06FJX-06FJX,9 Ft		3181754	2	Hose Asm-08x163,08FJX-08FJX,10 Ft
	3181574	1	Hose Asm-06x186,06FJX-06FJX,10 Ft		3181762	2	Hose Asm-08x176,08FJX-08FJX,11 Ft
	3181575	1	Hose Asm-06x188,06FJX-06FJX,11 Ft		3181759	2	Hose Asm-08x184,08FJX-08FJX,12 Ft
	3181576	1	Hose Asm-06x245,06FJX-06FJX,12 Ft	34	6603567	1	E-Chain-9 Ft Hopper
14	6602903	AR	Adapter-Air,90,04Tube-02MPX		6603568	1	E-Chain-10 Ft Hopper
15	0192042	AR	Nipple-Pipe,Sch 40,1/8 x 1 1/2		6603569	1	E-Chain-11 Ft Hopper
16	6603132	1	Cyl-Hyd, 2.5 B x 55 1/8" St,2" Rod-9'		6603570	1	E-Chain-12 Ft Hopper
	6603133	1	Cyl-Hyd, 2.5 B x 61 1/4 St,2" Rod-10'		7050574	1	E-Chain Mount-Moving End
	6603134	1	Cyl-Hyd, 2.5 B x 67 3/8 St,2" Rod-11'		7050573	1	E-Chain Mount-Fixed End
	6603135	1	Cyl-Hyd, 2.5 B x 73 1/2 St,2" Rod-12'		7050575	1	Inner Side Plate
	7215228	1	Seal Kit, 3/8NPT Port		7050576	1	Outer Side Plate
	7215229	1	Seal Kit, SAE #6 Port		7050577	1	CrossBar
17	0103409	4	Pin-Cotter, 0.19 x 1.50, PD		7050578	1	Separator
18	3140918	2	Pin-Cyl., Long, Hop, Extend, Var		7050579	1	Complete Link/Section
19	3181587	4	Pipe-Hopper Motor Line,9',LH	35	6602338	AR	Cylinder-Air,1.06x3,Dbl Acting
	3181589	4	Pipe-Hopper Motor Line,10',LH	36	6602339	AR	Clevis-Rod,Cyl
	3181591	4	Pipe-Hopper Motor Line,11',LH	37	3181586	1	Hose Asm-08x18.5,08MBX90-08MPX90
	3181593	4	Pipe-Hopper Motor Line,12',LH	38	3181580	1	Hose Asm-06x15.12,06MBX90-06MPX90
20	0140813	4	Coupling-Pipe, 0.50NPT,PN	39	3160848	1	Harness-Rt Hopper,9 Ft, (Not Shown)
21	6602645	2	Motor Hyd, LSHT, 12.0 Cir		3160847	1	Harness-Rt Hopper,10 Ft, (Not Shown)
					3160846	1	Harness-Rt Hopper,11 Ft, (Not Shown)
					3160845	1	Harness-Rt Hopper,12 Ft, (Not Shown)

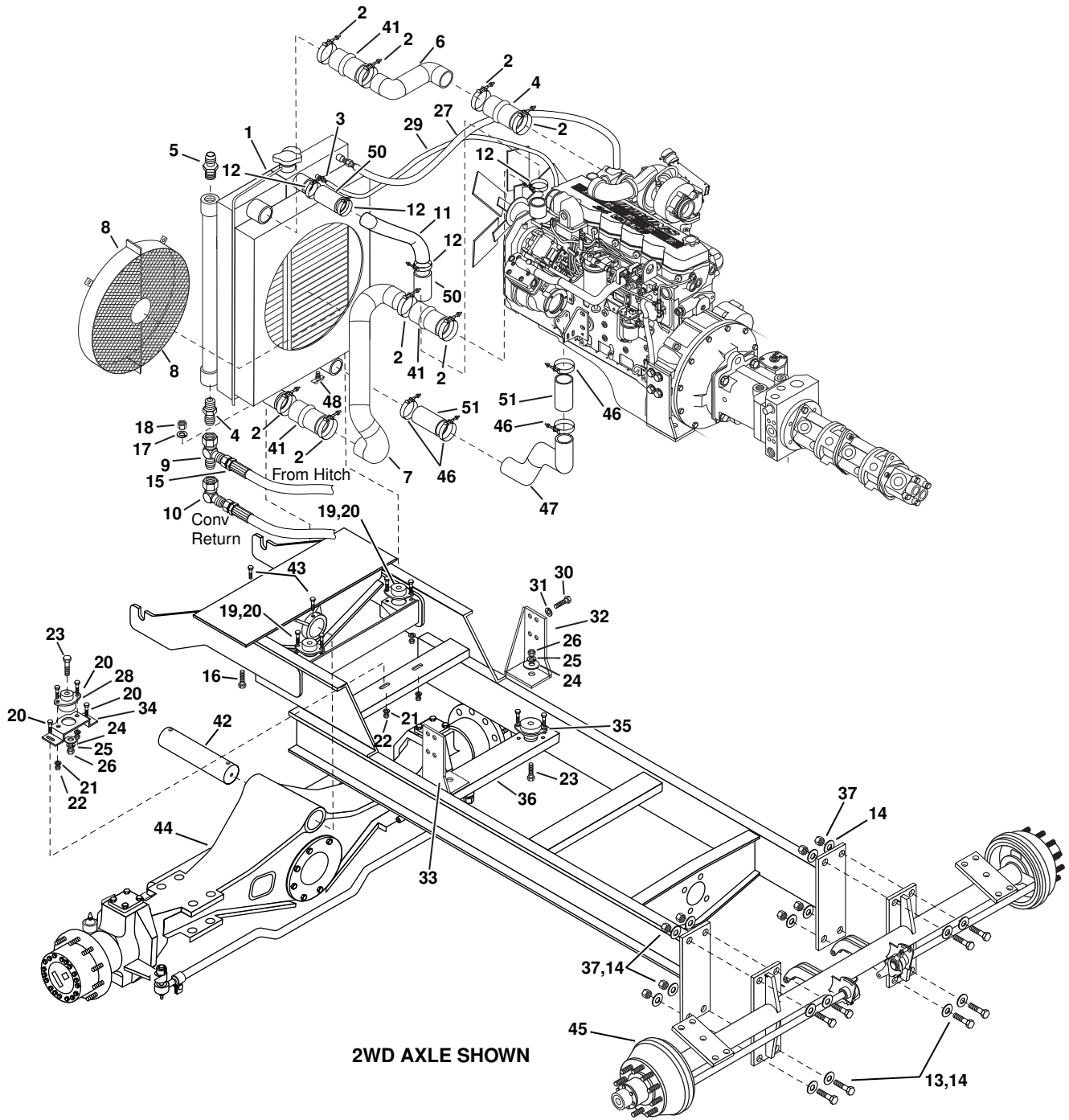
AR - As Required

FRONT HOPPER



# Radiator - Cooler - Motor Mounts and Axle Connections

K6162, K6199, K6212 & Up



**2WD AXLE SHOWN**

**ENGINE**

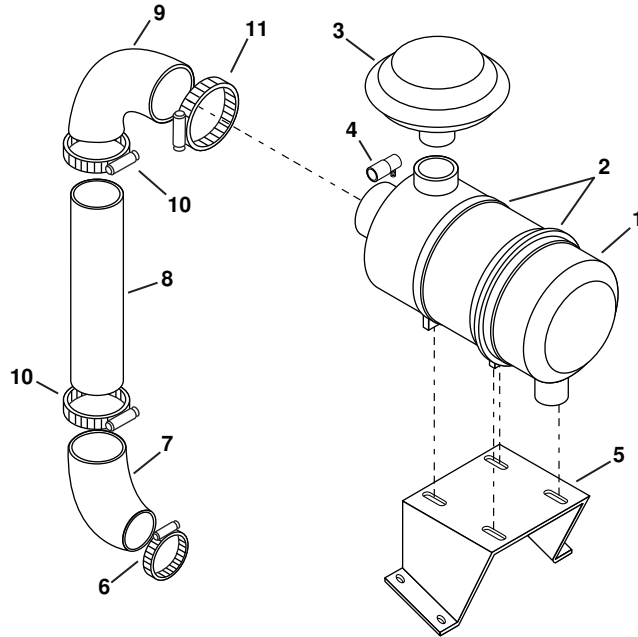
**Radiator - Cooler - Motor Mounts  
and Axle Connections  
K6162, K6199, K6212 & Up**

REF	PART NO.	QTY	DESCRIPTION	REF	PART NO.	QTY	DESCRIPTION
1	6400532	1	Radiator/Oil Cooler/Charge Air Cooler	48	6600162	1	Cock-Drain, 0.25 In Spanco Brs
	7050397	1	Radiator	49	3160841	1	Engine Comm Harness (Not Shown)
	7050398	1	Hydraulic Oil Cooler	50	3111440	2	Hose Rad. 1.75 x 5
	7050399	1	Charge Air Cooler	51	3111441	2	Hose Rad. 2.25 x 5
2	7050349	8	Clamp-TBolt, Spring Type, 3"	52	3160842	1	Engine Power Harness (Not Shown)
3	6603377	1	Hose End-05-04MP,St,LPSP				AR - As Required
4	6601418	1	Adapter-Hyd, ST, 16MB-12MJ				
5	9400207	1	Adapter-Hyd, ST, 16MB-16MJ				
6	3111470	1	Tube-Charge Air, Top				
7	3111465	1	Tube-Charge Air, Bottom				
8	3111420	2	Cover-Fan Shroud				
9	9410309	1	Tee-Hydr, 12MJ-12FJX-12MJ				
10	9410283	1	Elbow-Hydr, 12FJX-12MJ				
11	3111472	1	Tube-Radiator				
12	6001638	4	Clamp-T-Bolt, 1.91" to 2.22"				
13	6100267	8	Screw-Hex, 0.75NC x 3.00, GR8, PN				
14	9437244	16	Washer-Flat, 0.75A(0.81 x 2.00), HN				
15	3181233	1	Hose Asm-16 x 143, 16FJX-16FJX				
16	0122333	2	Screw-Hex, 0.44 x 3.00NPT, PD				
17	0120383	2	Washer-Lock, 0.44, Spring, PD				
18	0271501	2	Nut-Hex, 0.44NC, PD				
19	6000999	2	Mount-Cushion, Front, Perkins				
20	0120233	12	Screw-Hex, 0.38NC x 1.00, GR2, PD				
21	0120382	12	Washer-Lock, 0.38, Spring, PD				
22	0120377	12	Nut-Hex, 0.38NC, PD				
23	0428715	4	Screw-Hex, 0.62 x 4.00NPT, PD				
24	9422850	6	Washer-Flat, 0.62A(0.65 x 1.31)PN				
25	0121574	4	Washer-Lock, 0.62, Spring, PD				
26	0124589	4	Nut-Hex, 0.62NC, PD				
27	6603375	AR	Hose-3/4",Water				
28	6000916	1	Mount-Cushion, Front Eng.				
29	6603376	AR	Hose-5/16,Water				
30	6001081	16	Bolt-Metric, M12-1.75 x 4.00				
31	6001082	16	Washer-Lock, Metric, Chips				
32	3111464	1	Mount Asm-RT Rear, Cummins				
33	3111462	1	Mount Asm-LT Rear, Cummins				
34	3111459	1	Mount Asm-Front, Cummins				
35	6001049	2	Mount-Cushion, Rear Eng.				
36	3110993	1	Channel-Rear Eng. Mt. Chips				
37	9414000	1	Nut-Hex, Lock, 0.75NC, GR, PD				
38	7050527	1	Oil Filter (Not Shown)				
39	7050525	1	Fuel Filter (Not Shown)				
	7050526	1	PreFilter (Not Shown)				
40	7050524	1	Serpentine Belt (Not Shown)				
41	7050347	4	Hose Hump-3" ID, High Temp				
42	3102336	1	Shaft-Frt Axle/Pyramid				
43	6100086	2	Screw-SqHd, 0.50NC x 1.0, H/DG, LK				
44	3111467	1	Axle-Front, Drive, 81.25" Track				
45	3111475	1	Axle-Rear Drive, 80" Track (4WD)				
	3111493	1	Axle-25K, 97" Trk, 22.5" Hubs (2WD)				
46	6001163	4	Clamp-T-Bolt, 2.66"				
47	3111471	1	Tube Asm-Lower, Rad				

ENGINE

### Air Intake Assembly - Tier III

K6162, K6199, K6212 & Up



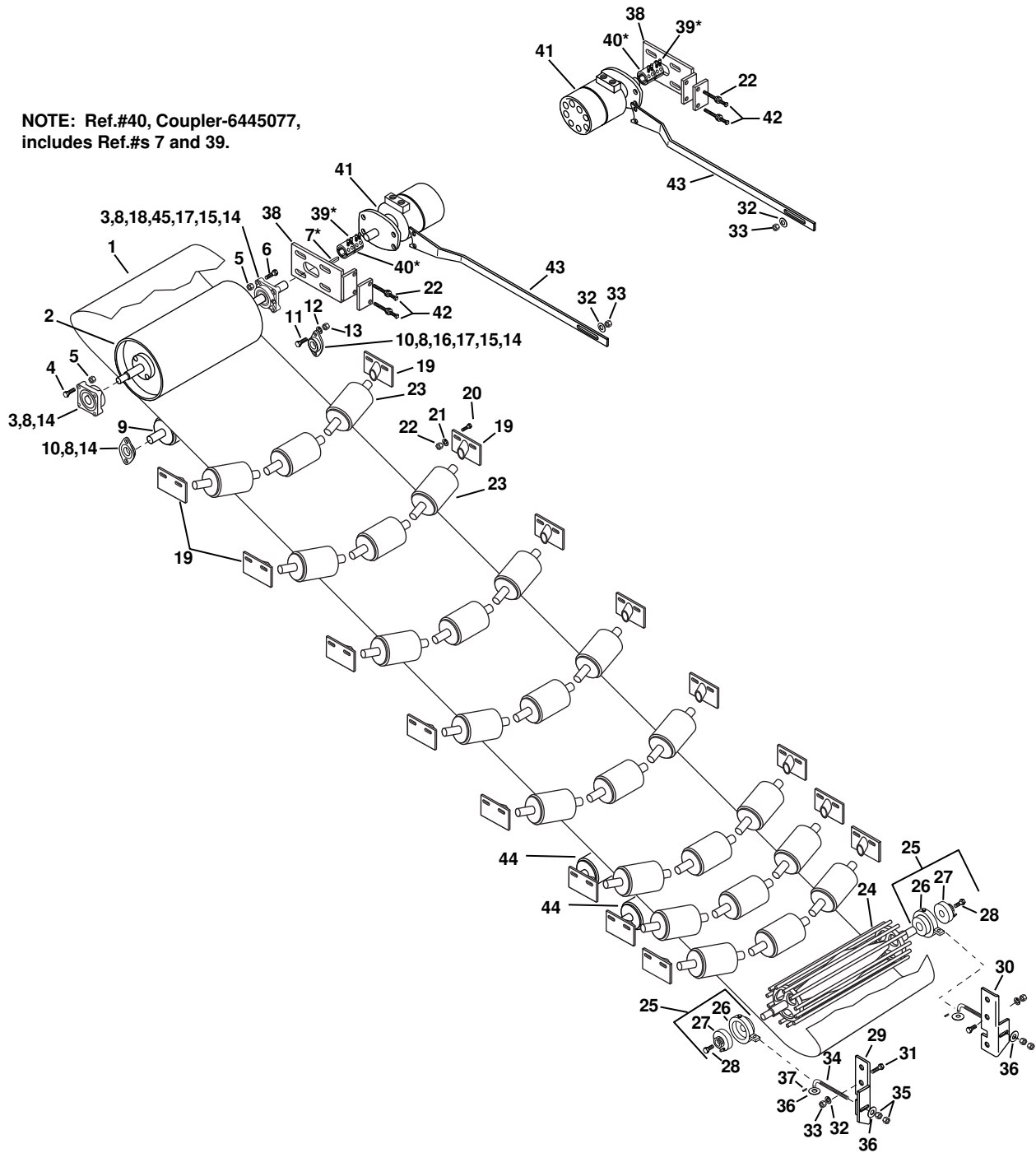
ENGINE

REF	PART NO.	QTY	DESCRIPTION	REF	PART NO.	QTY	DESCRIPTION
1	6400589	1	Filter-Air,Intake,2 Element,7"	8	3111482	1	Tube-Air Intake,5"
	7050504	1	Element-Primary	9	6400593	1	Elbow-Rubber,90,7" to 5"
	7050505	1	Element-Safety	10	6001763	2	Clamp-T-Bolt 5.25" to 5.56"
	7050506	1	Dust Ejection Valve	11	6001764	1	Clamp-T-Bolt 7.25" to 7.75"
2	6400590	2	Band-Mounting				
3	6400591	1	Hood-Inlet,7.00 In				
4	6400592	1	Indicator-Air Restriction				
5	3111481	1	Mount-Air Intake				
6	6001480	1	Clamp-T-Bolt 4.53" to 4.83"				
7	6400567	1	Elbow-Rubber,90,5" to 4"				

**This Page Intentionally Left Blank**

# Conveyor Arrangement - K6225 & Up

NOTE: Ref.#40, Coupler-6445077, includes Ref.#s 7 and 39.



CONV & REAR HOPPER

## Conveyor Arrangement - K6225 & Up

REF	PART NO.	QTY	DESCRIPTION	REF	PART NO.	QTY	DESCRIPTION
1	3130395	1	Belt-Conv,24",W/Fastener				
	7050128	1	Hinge Pin-24" Belt Splice				
	7050127	1	Splice-24",Complete Kit				
2	3130422	2	Head Pulley Assy-Conv,No Lag				
3	3140094	4	Flange Brg-Ball,4 Bolt,1.562				
4	0186646	8	Screw-Hex,0.50NC x 1.75,GR8,PN				
5	9411727	16	Nut-Hex,Lock,0.50NC,EA,PD				
6	0180183	8	Screw-Hex,0.50NC x 2.25,GR5,PD				
7	6000224	2	Key-0.31 x 0.31CR x 1.00				
8	6420195	8	Adapter				
9	3130398	2	Roller Asm-Front Idler				
10	6420086	4	Flange Brg-Ball,2 Blt.,1.00				
11	6100277	8	Screw-Carr Blt.,0.31NC x 1,GR5,PD				
12	0120214	8	Washer-Lock,0.31,Spring,PD				
13	0120376	8	Nut-Hex,0.31NC,PD				
14	0109462	8	Elbow-Lube,90,0.12NPT				
15	0192086	4	Coupling-Pipe,0.12NPT,PD				
16	0127960	2	Elbow-Pipe,90,ST,0.12NPT,PD				
17	0192042	2	Nipple-Pipe,Sch 40,0.12 x 1.50,PD				
18	0142868	4	Nipple-Pipe,Sch 40,0.12 x 0.75,PD				
19	3130552	32	Bracket-Idler				
20	0120233	64	Screw-Hex,0.38NC x 1.00,GR2,PD				
21	0120382	64	Washer-Lock,0.38,Spring,PD				
22	0120377	68	Nut-Hex,0.38NC,PD				
23	6435478	48	Roller-Trough, 24" Conveyor				
24	3130402	2	Pulley Asm-Tail,Conveyor CS				
25	3130095	4	Bearing & Hsg Asm-Tail Pulley				
26	3100096	1	Brg-Cartridge,SC-22,1.38 Dia.				
27	3130055	1	Housing-RR Pull Brg				
28	6000550	2	Screw-Hex,0.25-14 x 0.75,Tek 3,PD				
29	3102039	1	Bracket-Align,RH				
30	3102040	1	Bracket-Align,LH				
31	3100174	12	Screw-Rear Pulley				
32	0120384	12	Washer-Lock,0.50,Spring,PD				
33	0120378	12	Nut-Hex,0.50NC,PD				
34	3130083	4	Screw-Tail Pulley Adj.				
35	0124589	8	Nut-Hex,0.62NC,PD				
36	0130999	4	Washer-Flat,0.62A(0.69 x 1.75)PD				
37	0457008	4	Pin-Spring,0.19 x 1.50,HV,PN				
38	3180945	2	Plate-Bearing,Adjustment				
39	*****	4	Capscrews (Included W/Ref.#40)				
40	6445077	2	Coupler-1.25 W/5-16 Key				
41	6602376	2	Motor-Hyd,14.8 Cir				
42	0191966	4	Screw-SqHd,0.38NC x 3.00,Oval,PD				
43	3130424	2	Torque Arm-Conv Motor Mount				
44	6435479	4	Roller-Return, 24" Conveyor				
45	0127962	2	Elbow-Pipe,90,0.12NPT,PD				

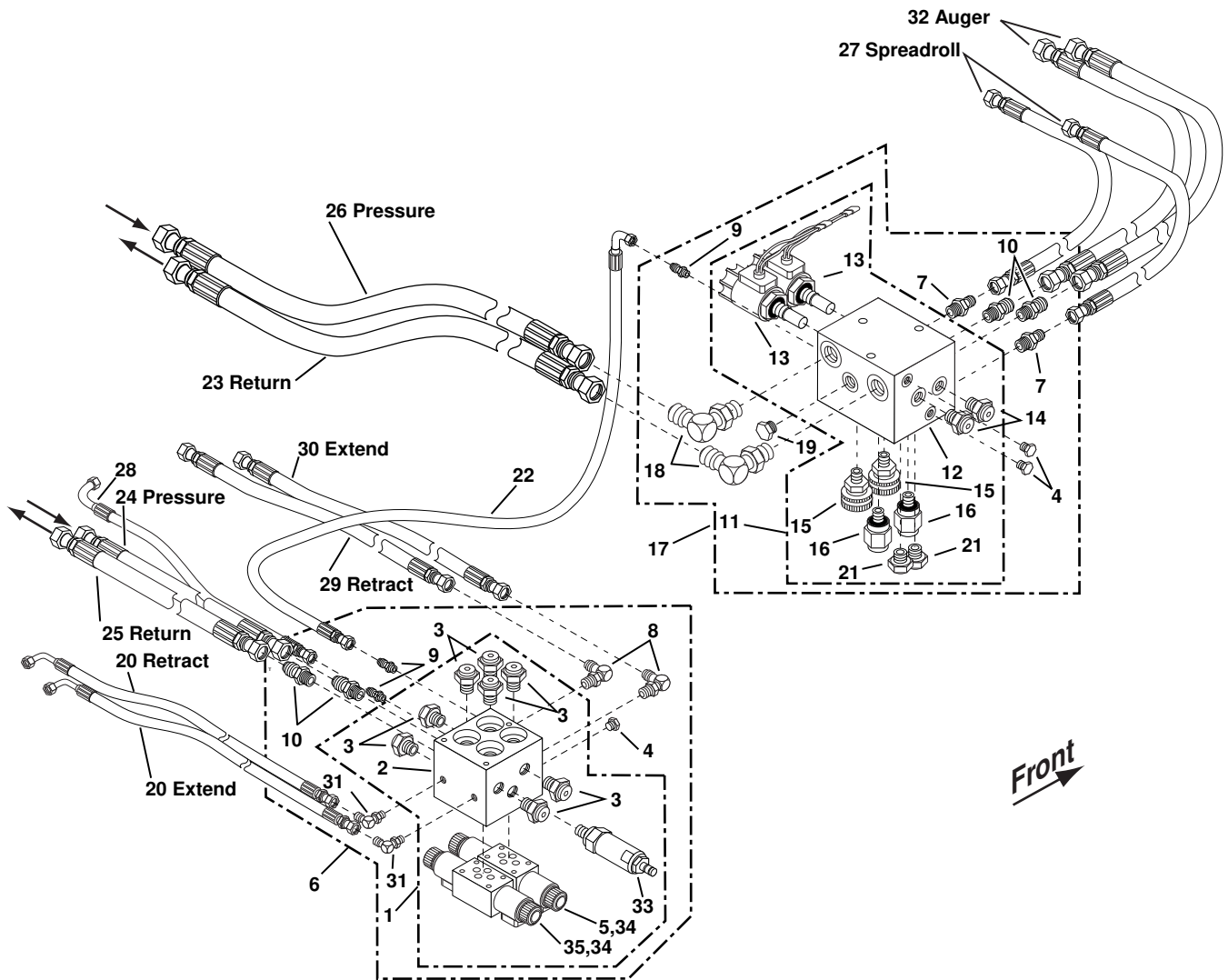
CONV & REAR HOPPER



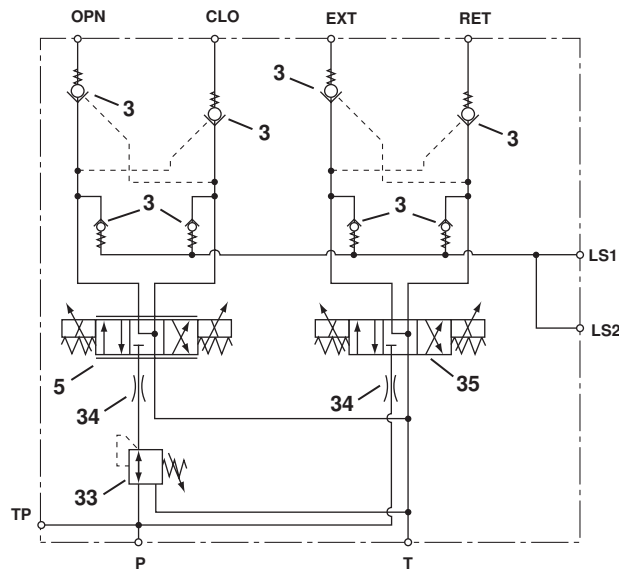
## Hydraulic Plumbing On Right Side Of Unit

K6212 And Up

HYDRAULIC



## Hydraulic Schematic 3181641



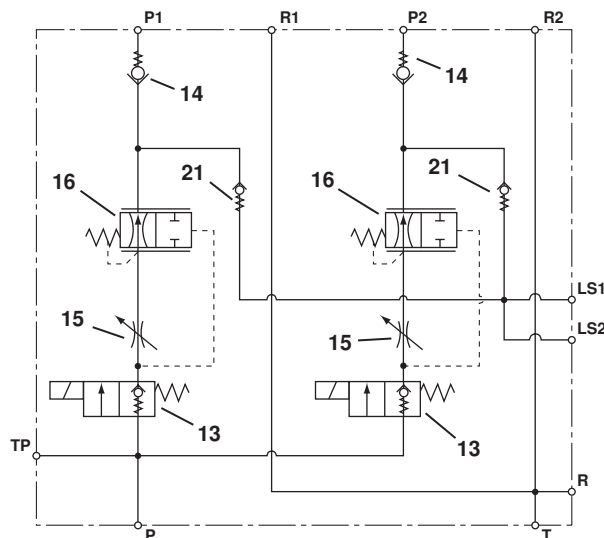
## Hydraulic Plumbing On Right Side Of Unit

K6212 And Up

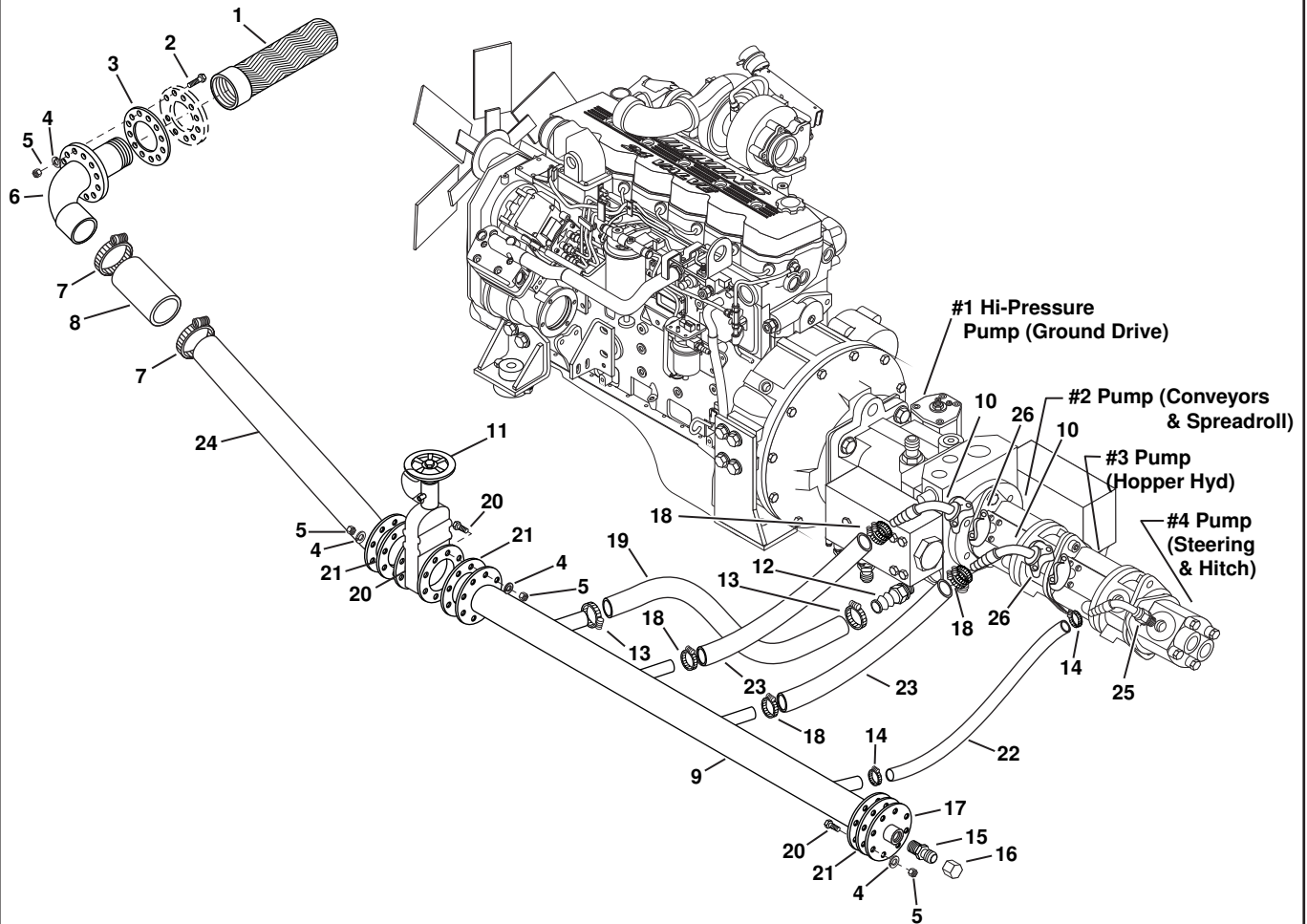
REF	PART NO.	QTY	DESCRIPTION	REF	PART NO.	QTY	DESCRIPTION
1	3181641	1	Manifold-Hopper Includes Ref.#s 2,3,5,33-35	24	3181604	1	Hose Asm-08x126,08FJX-08FJX
2	7050369	1	Manifold Block	25	3181608	1	Hose Asm-08x56,08FJX-12FJX
3	7050367	8	Valve-Cartridge,Check,Pilot Operated	26	3181603	1	Hose Asm-12x120,12FJX-12FJX
4	9410356	3	Plug-Hyd,04MB	27	3181749	2	Hose Asm-06x158,06FJX-06FJX,9 Ft
5	6603343	1	Valve-4Way-3Pos,Sol Op,Proportional		3181753	2	Hose Asm-06x166,06FJX-06FJX,10 Ft
	7050154	2	Coil		3181761	2	Hose Asm-06x179,06FJX-06FJX,11 Ft
6	3181651	1	Manifold Asm-Hopper Includes Ref.#s 1,4,8-10,36		3181758	2	Hose Asm-06x187,06FJX90-06FJX,12 Ft
7	6602133	2	Adapter-Hyd,ST,08MB-06MJ	28	3181613	1	Hose Asm-04x12,04FJX90-04FJX
8	9410976	2	Elbow-Hyd,90,06MB-06MJ	29	3181573	1	Hose Asm-06x192,06FJX-06FJX,9 Ft
9	9410200	3	Adapter-Hyd,ST,04MB-04MJ		3181574	1	Hose Asm-06x186,06FJX-06FJX,10 Ft
10	9410203	4	Adapter-Hyd,ST,08MB-08MJ		3181575	1	Hose Asm-06x188,06FJX-06FJX,11 Ft
11	3181640	1	Manifold-Hopper Includes Ref.#s 12-16,21		3181576	1	Hose Asm-06x245,06FJX-06FJX,12 Ft
12	7050371	1	Manifold Block	30	3181569	1	Hose Asm-06x132,06FJX-06FJX,9 Ft
13	7050258	2	Valve-Cartridge,2Pos-2Way,Sol Oper		3181570	1	Hose Asm-06x131,06FJX-06FJX,10 Ft
	7050259	2	Coil		3181571	1	Hose Asm-06x133,06FJX-06FJX,11 Ft
14	7050263	2	Valve-Cartridge,Check		3181572	1	Hose Asm-06x174,06FJX-06FJX,12 Ft
15	7050260	2	Valve-Cartridge,Needle Valve	31	6603039	2	Elbow-Hyd,90,04MB-04MJ
16	7050261	2	Valve-Cartridge,Compensator Valve	32	3181748	2	Hose Asm-08x158,08FJX-08FJX,9 Ft
17	3181650	1	Manifold Asm-Hopper Includes Ref.#s 7,9,10,18,19		3181754	2	Hose Asm-08x163,08FJX-08FJX,10 Ft
18	9410979	2	Elbow-Hyd,12MB-12MJ		3181762	2	Hose Asm-08x176,08FJX-08FJX,11 Ft
19	9410359	1	Plug-Hyd,08MB		3181759	2	Hose Asm-08x184,08FJX-08FJX,12 Ft
20	3181750	2	Hose Asm-04x168,04FJX90-04FJX,9 Ft	33	7050264	1	Valve-Reducing,Relief
	3181755	2	Hose Asm-04x179,04FJX90-04FJX,10 Ft	34	7050269	2	Plug-Orifice,0.070
	3181763	2	Hose Asm-04x190,04FJX90-04FJX,11 Ft	35	6603344	1	Valve-4Way-3Pos,Sol Op
	3181760	2	Hose Asm-04x201,04FJX90-04FJX,12 Ft		7050375	2	Coil
21	7050370	2	Valve-Cartridge,Check				
22	3181614	1	Hose Asm-04x25,04FJX90-04FJX				
23	3181654	1	Hose Asm-12x55,12FJX-12FJX				

HYDRAULIC

### Hydraulic Schematic 3181640



## Suction Lines K-6199,6212 & Up

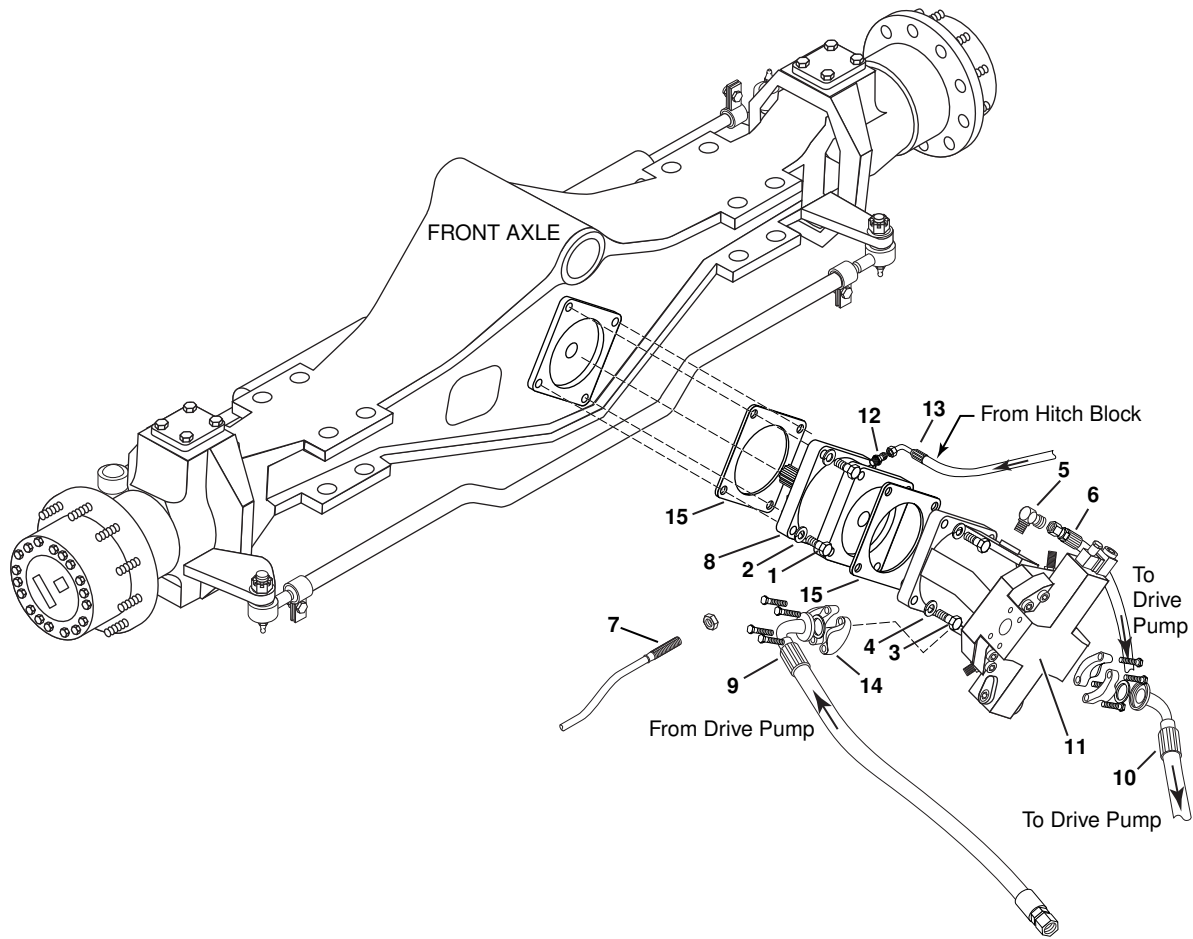


HYDRAULIC

REF	PART NO.	QTY	DESCRIPTION	REF	PART NO.	QTY	DESCRIPTION
1	6602617	1	Strainer-Suction 100 Mesh,116 GPM	17	3181637	1	Flange Asm-3in w/3/4 Coupling
2	0120233	12	Screw-Hex,0.38NC x 1.00,GR2,PD	18	6001446	6	Clamp-T-Bolt,2.34 to 2.66
3	6602604	1	Gasket-5" Flange,AV#15961-CB	19	3181095	1	Hose-Suct. Charge Pump,1.50 x 40
4	0120382	36	Washer-Lock,0.38, Spring,PD	20	0120233	36	Screw-Hex,0.38NC x 1.00,GR2,PD
5	0120377	36	Nut-Hex,0.38NC,PD	21	6601064	3	Gasket-3 Flange AV#10232-B,C+B
6	3181726	1	Outlet-Filter,Hyd Reservoir Weldment	22	3181098	1	Hose Suction,Rear Pump,1" x 23
7	6001448	2	Clamp-T-Bolt,3.78 to 4.09	23	3181097	2	Hose Suction,Pump,2" ID x17.5" Lg.
8	3181096	2	Sleeve,Suction Pipe	24	3181727	1	Front Suction Pipe Wldmt,Upper
9	3181702	1	Suction Pipe Weldment,Rear	25	6602735	1	Hose End,45 Deg,16 BARB-16MB
10	3181756	2	Hose End-2-32FL90	26	6602628	2	Split Flange Kit-2"
11	3181343	1	Gate Valve/Safety Asm				
12	6602736	1	Hose End-ST, 24 BARB-24MB				
13	6001638	2	Clamp-T-Bolt,1.91 to 2.22				
14	6000792	2	Clamp, Worm Dr,1.06 to 2.00				
15	9402711	1	Adapter-Hydr,12MP-12MJ				
16	9403374	1	Cap-12MJ				

## Front Motor Installation

K-6199,6212 & Up



HYDRAULIC

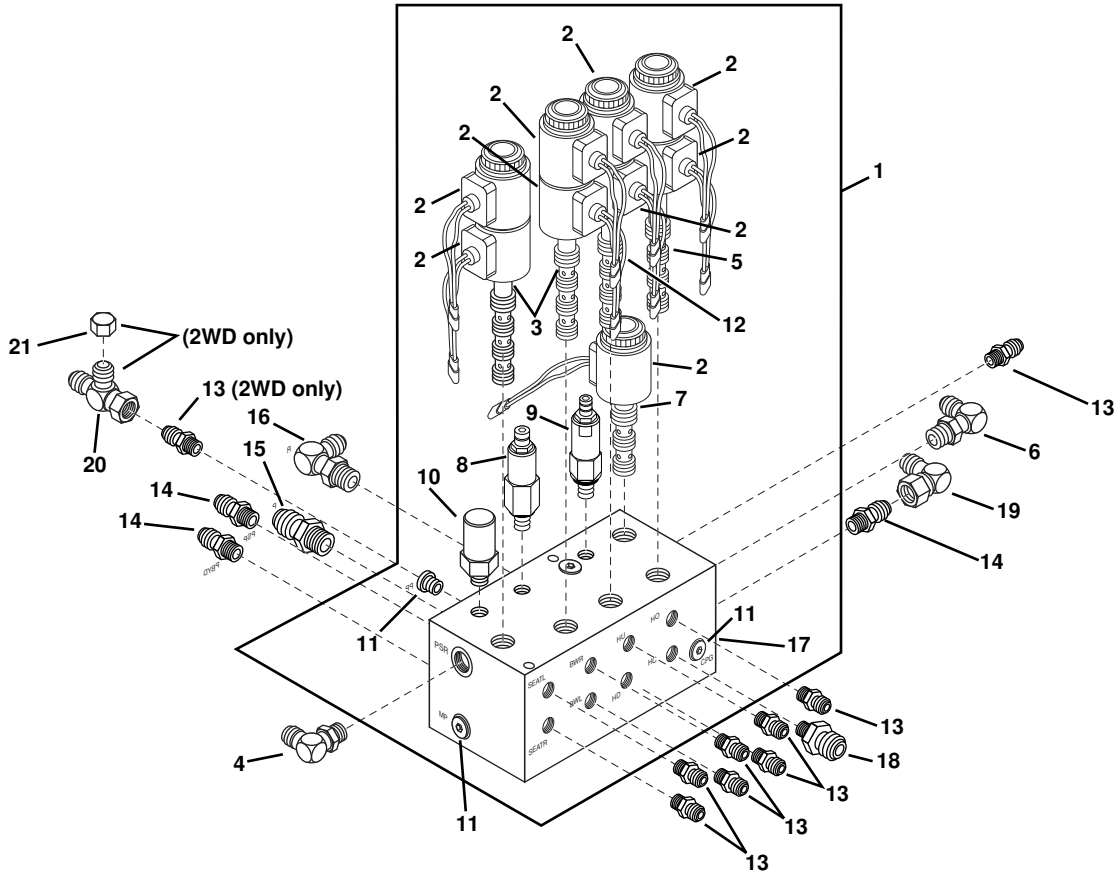
REF	PART NO.	QTY	DESCRIPTION	REF	PART NO.	QTY	DESCRIPTION
1	6100678	4	Screw-Hex,M16x45,Gr 10.9	12	9410200	1	Adapter-Hyd,ST,04MB-04MJ
2	6100677	4	Washer-Lock,16mm	13	3181437	1	Hose Asm-04 x 136,04FJX90-04FJX90
3	0223515	4	Screw-Hex,5/8NCx2 1/2,Gr 8	14	6603559	2	Split Flange Kit-1 1/4" Code 62,Metric
4	0121574	4	Washer-Lock,5/8	15	3111492	2	Gasket-Axle Input
5	6603547	1	Elbow-Hyd, 90,M26-12MJ				
6	3181732	1	Hose Asm-12 x 74,12FJX-12FJX				
7	6703670	1	Speed Sensor Cable Asm				
8	6603525	1	Brake-Parking-Mico,DIN				
	7050593	1	Seal Kit				
	7050594	1	Bearing Kit				
	7050595	1	Spring Kit				
	7050596	1	Lining Kit				
9	6603571	1	Hose Asm-16 x 57-20FLH90-16FJX				
10	6603572	1	Hose Asm-16 x 60 1/2-20FLH90-16FJX				
11	3183520	1	Motor-Hyd,160CC,DIN				
	7050649	1	Solenoid,Round				
	7050189	1	Seal Kit				
	7050191	1	Shaft Seal				

# Hitch - Power Steering - Brake - Rear Hopper

Manifold Asm - 3181720

K-6165,6166,6195,6198,6199,6205 & Up

HYDRAULIC



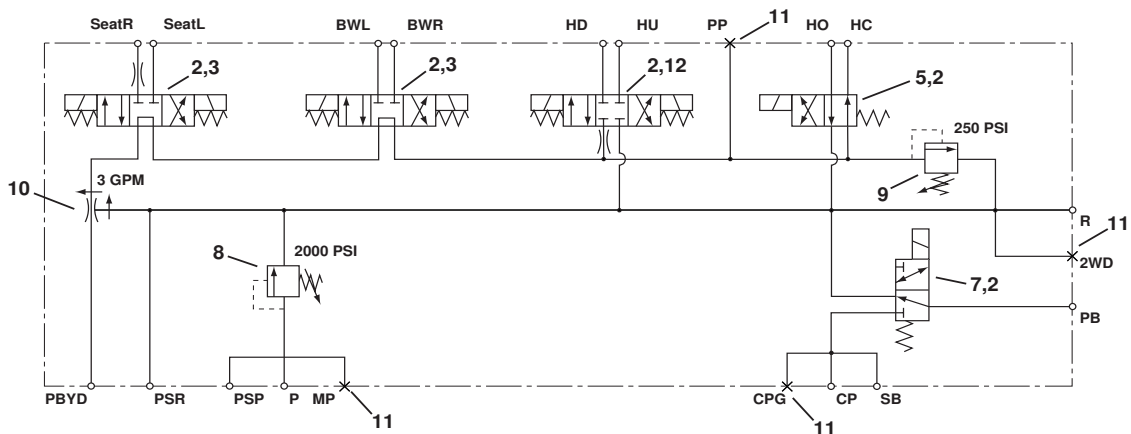
## Hitch - Power Steering - Brake - Rear Hopper

Manifold Asm - 3181720

K-6165,6166,6195,6198,6199,6205 & Up

REF	PART NO.	QTY	DESCRIPTION	REF	PART NO.	QTY	DESCRIPTION
1	3181708	1	Manifold-Hitch,Steering,Brake,Hopper				
2	7050259	9	Coil-12V, Weatherpack				
3	7050487	2	Valve-Cartridge,Sol,4 Way,3 Pos				
4	9410976	1	Elbow-Hydr,90,06MB-06MJ				
5	7050508	1	Valve-Cartridge,Sol,4 Way,2 Pos				
6	9410977	1	Elbow-Hydr,90,08MB-08MJ				
7	7050509	1	Valve-Cartridge,Sol,3 Way,2 Pos				
8	7050511	1	Valve-Cartridge,Relief,2000 PSI				
9	7050512	1	Valve-Cartridge,Relief,250 PSI				
10	7050510	1	Valve-Cartridge,Priority Flow Reg				
11	9410356	3	Plug-Hyd,Socket Hd,04MB				
12	7050507	1	Vlv-Cartridge,Sol,4 Way,3 Pos				
13	9410200	9	Adapter-Hydr,St,04MB-04MJ				
14	9410202	3	Adapter-Hydr,St,06MB-06MJ				
15	9410203	2	Adapter-Hydr,St,08MB-08MJ				
16	9410979	1	Elbow-Hydr,90,12MB-12MJ				
17	7050586	1	Manifold Block				
18	6603038	1	Adapter-Hydr,St,04MB-08MJ				
19	9410280	1	Elbow-Hydr,90,06FJX-06MJ				
20	6602140	1	Tee-04MJ-04FJX-04MJ				
21	6602117	1	Cap-04FJ				

Note: Ref #1 includes Ref #2 through #12 and #17



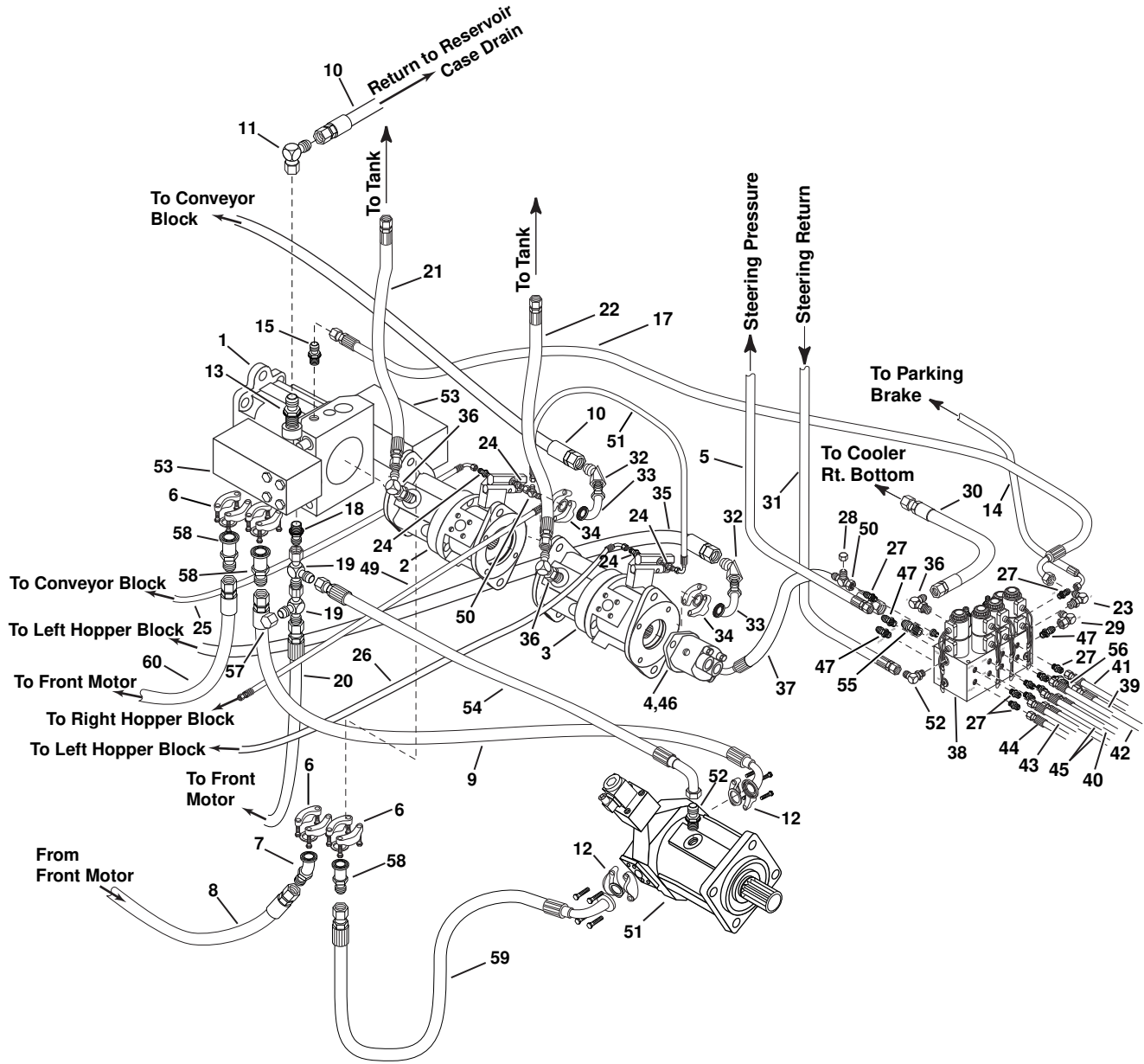
HYDRAULIC



# Hydraulic Pumps And Rear Motor - 4WD

K-6199,6212 & Up

HYDRAULIC



## Hydraulic Pumps And Rear Motor - 4WD

K-6199,6212 & Up

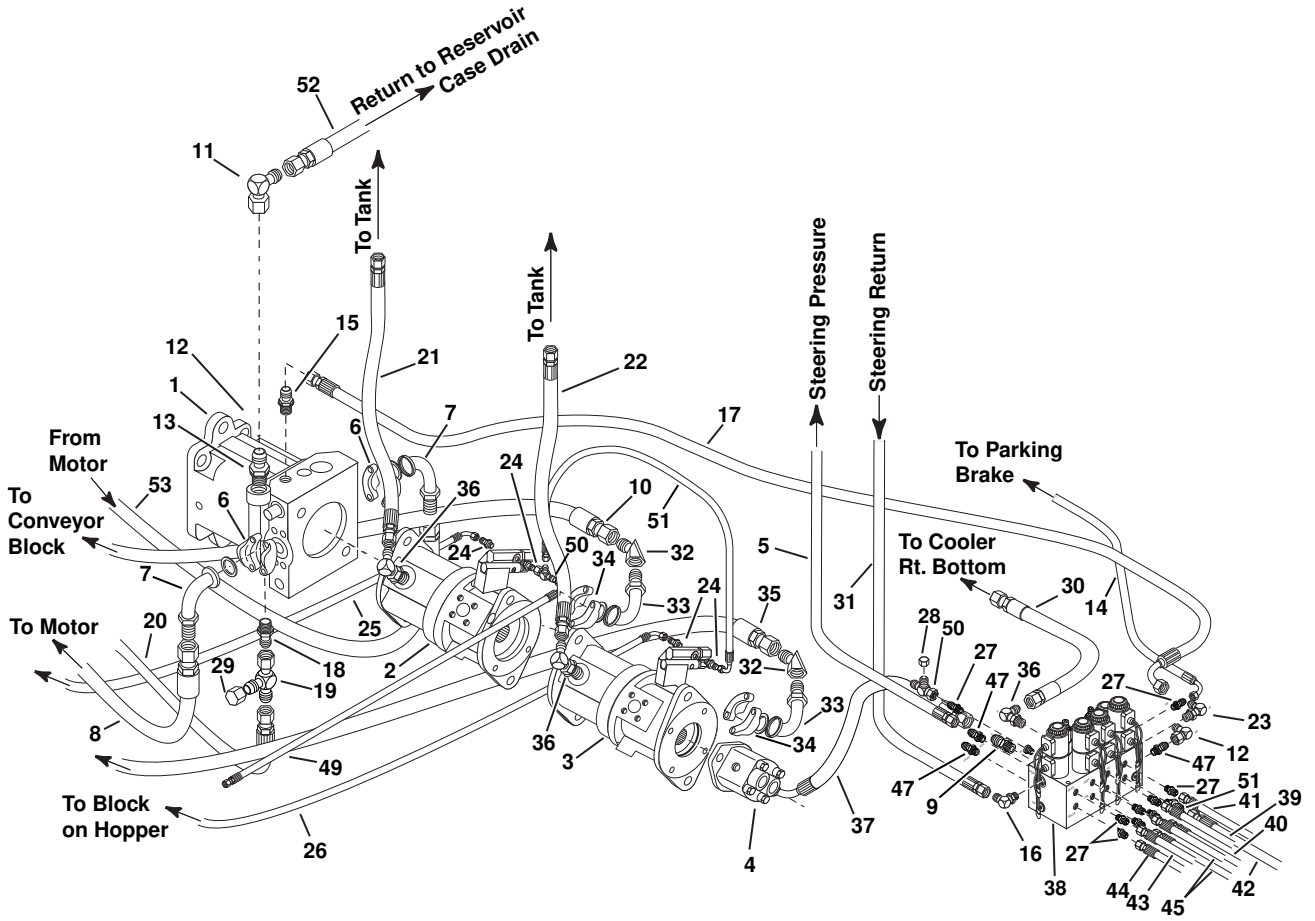
REF	PART NO.	QTY	DESCRIPTION	REF	PART NO.	QTY	DESCRIPTION
1	3181072	1	Pump-125CC Var Disp.,5800 PSI	35	3181600	1	Hose Asm-16 x 53,16FJX-16FJX
	7050056	1	Pump Stroker	36	9410979	3	Elbow-Hyd,90,12MB-12MJ
	7050492	1	Filter Bowl	37	3181724	1	Hose Asm-08 x 30,08FJX-08FJX90
	7050160	1	Filter Indicator	38	3181708	1	Manifold-Hitch/Pwr Steer/Brake
	7050136	1	Filter Assembly	39	3181444	1	Hose Asm-04x42,04FJX-04FJX90
	7050137	1	Filter Element	40	3181443	1	Hose Asm-04x51,04FJX-04FJX90
	7050138	1	O-Ring-Filter Housing/Pump	41	3181442	1	Hose Asm-04x113,04FJX-04FJX90
	7050493	1	O-Ring-Bowl	42	3181441	1	Hose Asm-08x115,08FJX-08FJX90
2	6602602	1	Pump-Var Disp.,4.52 CID,C Pad	43	3181716	1	Hose Asm-04 x 72,04FJX-04FJX90
	7050088	1	O-Ring-Pump 1/Pump 2	44	3181717	1	Hose Asm-04 x 71,04FJX-04FJX90
	7050406	1	Compensator	45	3181446	4	Hose Asm-04 x 123,06MPX90-04FJX
	7050491	1	O-Ring-Compensator	46	6600921	1	Adapter-Hydr,St,08MJ-12MB
	7050447	1	Seal-Adjustment Screw	47	9410202	3	Adapter-Hyd,ST,06MB-06MJ
3	6602601	1	Pump-Var Disp.,4.52 CID,A Pad	48	6602134	1	Adapter-Hyd,ST,06MB-04MJ
	7050089	1	O-Ring-Pump 2/Pump 3	49	3181613	1	Hose Asm-04x119,04FJX-04FJX90
	7050406	1	Compensator	50	6602140	2	Tee-Hydr,04MJ-04FJX-04MJ
	7050491	1	O-Ring-Compensator	51	6603520	1	Motor-Hyd,160CC W/O Speed Sens
	7050447	1	Seal-Adjustment Screw		7050649	1	Coil
4	6602850	1	Pump-1.16 Cir,RH,9T,SAE A		7050189	1	Seal Kit
	7050090	1	O-Ring-Pump 3/Pump 4		7050191	1	Shaft Seal
5	3181439	2	Hose Asm-06 x 138,06FJX-06FJX90	52	6603547	1	Addapter-Hyd,St,M26-12MJ
6	6602624	4	Split Flange Kit-1" Code 62	53	6603163	2	Tee-20FLH-16FLH-16FLH
	0274253	4	O-Ring-16OR		7420292	2	O-Ring,20OR
7	6603269	1	Elbow-45,16FLH-16MJ		6001426	8	Screw-Socket Head,1/2 x 3 3/4,Gr 8,PD
8	6603572	1	Hose Asm-16 x 60.5,20FLH90-16FJX		0120384	8	Washer-Lock,1/2, Spring
9	6603574	1	Hose Asm-16 x 48,20FLH90-16FJX	54	3181733	1	Hose Asm-12 x 55,12FJX-12FJX90
10	3181233	1	Hose Asm-16 x 140,16FJX-16FJX	55	9410203	2	Adapter-Hyd,ST,08MB-08MJ
11	9410285	1	Elbow-Hyd,90,16FJX-16MJ	56	6603038	1	Adapter-Hyd,ST,04MB-08MJ
12	6603559	4	Split Flange Kit-1 1/4 Metric	57	9403374	1	Cap-Hyd,12FJ
	7420292	1	O-Ring	58	6603268	3	Adapter-Hydr,16FLH-16MJ
13	9410207	1	Adapter-Hyd,ST,16MB-16MJ	59	6603573	1	Hose Asm-16 x 40.5,20FLH90-16FJX
14	3181437	1	Hose Asm-04 x 126,04FJX90-04FJX90	60	6603571	1	Hose Asm-16 x 57,20FLH90-16FJX
15	6600903	1	Adapter-Hyd,ST,08MJ-10MB				
16	3181599	1	Hose Asm-16x37,16FJX-16FJX				
17	3181715	1	Hose Asm-08 x 42,08FJX-08FJX90				
18	6601418	1	Adapter-Hyd,ST,12MJ-16MB				
19	9410335	2	Tee-Hyd,12MJ-12FJX-12MJ				
20	3181732	1	Hose Asm-12 x 74,12FJX-12FJX90				
21	3181698	1	Hose Asm-12 x102,12FJX-12FJX				
22	3181699	1	Hose Asm-12 x 109,12FJX-12FJX				
23	9410977	1	Elbow-Hydr,90,08MB-08MJ				
24	6603178	4	Adapter-Hyd,ST,04MB-04MJ				
25	3181198	1	Hose Asm-04 x 138,04FJX-04FJX90				
26	3181611	1	Hose Asm-04 x 153,04FJX-04FJX90				
27	9410200	8	Adapter-Hyd,ST,04MB-04MJ				
28	6602117	1	Cap-04FJ				
29	9410280	1	Elbow-Hydr,90,06FJX-06MJ				
30	3181456	1	Hose Asm-12 x 122,12FJX-12FJX				
31	3181445	1	Hose Asm-06 x 141,06FJX-06FJX90				
32	6602021	2	Elbow-Hyd,45,16MJ-16FJX				
33	6601045	2	Elbow-Hyd,90,16FL-16MJ				
34	6600236	2	Flange Kit-1.00,4 Bolt, Split				
	0274253	2	O-Ring-16OR				

HYDRAULIC

# Hydraulic Pumps - 2WD

K-6199,6212 & Up

HYDRAULIC



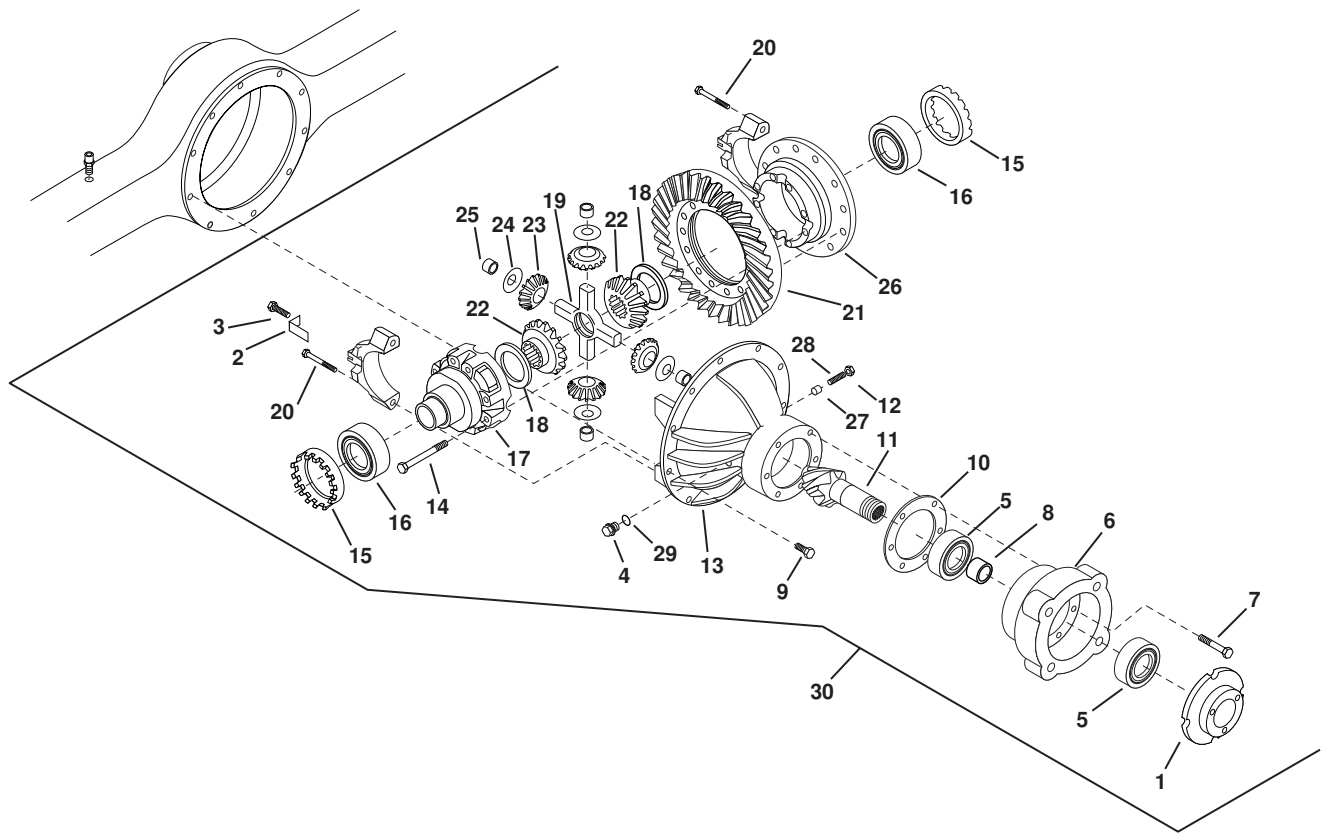
## Hydraulic Pumps - 2WD

K-6199,6212 & Up

REF	PART NO.	QTY	DESCRIPTION	REF	PART NO.	QTY	DESCRIPTION
1	3181072	1	Pump-125CC Var Disp.,5800 PSI	36	9410979	2	Elbow-Hyd,90,12MB-12MJ
	7050056	1	Pump Stroker	37	3181724	1	Hose Asm-08 x 30,08FJX-08FJX90
	7050492	1	Filter Bowl	38	3181708	1	Manifold-Hitch/Pwr Steer/Brake
	7050160	1	Filter Indicator	39	3181444	1	Hose Asm-04 x 42,04FJX-04FJX90
	7050136	1	Filter Assembly	40	3181443	1	Hose Asm-04 x 51,04FJX-04FJX90
	7050137	1	Filter Element	41	3181442	1	Hose Asm-04 x 113,04FJX-04FJX90
	7050138	1	O-Ring-Filter Housing/Pump	42	3181441	1	Hose Asm-08 x 115,08FJX-08FJX90
	7050493	1	O-Ring-Bowl	43	3181716	1	Hose Asm-04 x 72,04FJX-04FJX
2	6602602	1	Pump-Var Disp.,4.52 CID,C Pad	44	3181717	1	Hose Asm-04 x 71,04FJX-04FJX
	7050088	1	O-Ring-Pump 1/Pump 2	45	3181446	4	Hose Asm-04 x 123,06MPX90-04FJX
	7050406	1	Compensator	46	6600921	1	Adapter-Hydr,St,08MJ-12MB
	7050491	1	O-Ring-Compensator	47	9410202	3	Adapter-Hyd,ST,06MB-06MJ
	7050447	1	Seal-Adjustment Screw	48	6602134	1	Adapter-Hyd,ST,06MB-04MJ
3	6602601	1	Pump-Var Disp.,4.52 CID,A Pad	49	3181613	1	Hose Asm-04 x 1 19,04FJX-04FJX90
	7050089	1	O-Ring-Pump 2/Pump 3	50	6602140	1	Tee-Hydr,04MJ-04FJX-04MJ
	7050406	1	Compensator	51	6603038	1	Adapter-Hyd,ST,04MB-08MJ
	7050491	1	O-Ring-Compensator	52	3181233	1	Hose Asm-16 x 37,16FJX-16FJX
	7050447	1	Seal-Adjustment Screw	53	6603577	1	Hose Asm-20 x 60.5,20FJX-16FL90
4	6602850	1	Pump-1.16 Cir,RH,9T,SAE A				
	7050090	1	O-Ring-Pump 3/Pump 4				
5	3181439	2	Hose Asm-06 x 138,06FJX-06FJX90				
6	6602679	4	Split Flange Kit-1 1/4 Code 62				
	7420292	1	O-Ring				
7	6602678	4	Elbow-90,20FLH-20MJ				
8	6603576	1	Hose Assy-1 1/4 x 57 ,6000 PSI				
9	9410203	2	Adapter-Hyd,St,08MB-08MJ				
10	3181599	1	Hose Asm-16 x 37,16FJX-16FJX				
11	9410285	1	Elbow-Hyd,90,16FJX-16MJ				
12	9410280	1	Elbow-Hyd,90,06FJX-06MJ				
13	9410207	1	Adapter-Hyd,ST,16MB-16MJ				
14	3181437	1	Hose Asm-04 x 126,04FJX90-04FJX90				
15	6600903	1	Adapter-Hyd,ST,08MJ-10MB				
16	9410976	1	Elbow-Hyd,90,06MB-06MJ				
17	3181715	1	Hose Asm-08 x 36,08FJX-08FJX90				
18	6601418	1	Adapter-Hyd,ST,12MJ-16MB				
19	9410335	2	Tee-Hyd,12MJ-12FJX-12MJ				
20	3181732	1	Hose Asm-12 x 74,12FJX-12FJX90				
21	3181698	1	Hose Asm-12 x 102,12FJX-12FJX				
22	3181699	1	Hose Asm-12 x 109,12FJX-12FJX				
23	9410977	1	Elbow-Hydr,90,08MB-08MJ				
24	6603178	4	Adapter-Hyd,ST,04MB-04MJ, .031 O				
25	3181198	1	Hose Asm-04 x 138,04FJX-04FJX90				
26	3181611	1	Hose Asm-04 x 153,04FJX-04FJX90				
27	9410200	9	Adapter-Hyd,ST,04MB-04MJ				
28	6602117	1	Cap-Hyd,04FJ				
29	9403374	1	Cap-Hyd,12FJ				
30	3181456	1	Hose Asm-12 x 122,12FJX-12FJX				
31	3181445	1	Hose Asm-06 x 141,06FJX-06FJX90				
32	6602021	2	Elbow-Hyd,45,16MJ-16FJX				
33	6601045	2	Elbow-Hyd,90,16FL-16MJ				
34	6600236	2	Flange Kit-1.00,4 Bolt,Split				
	0274253	1	O-Ring				
35	3181600	1	Hose Asm-16 x 53,16FJX-16FJX				

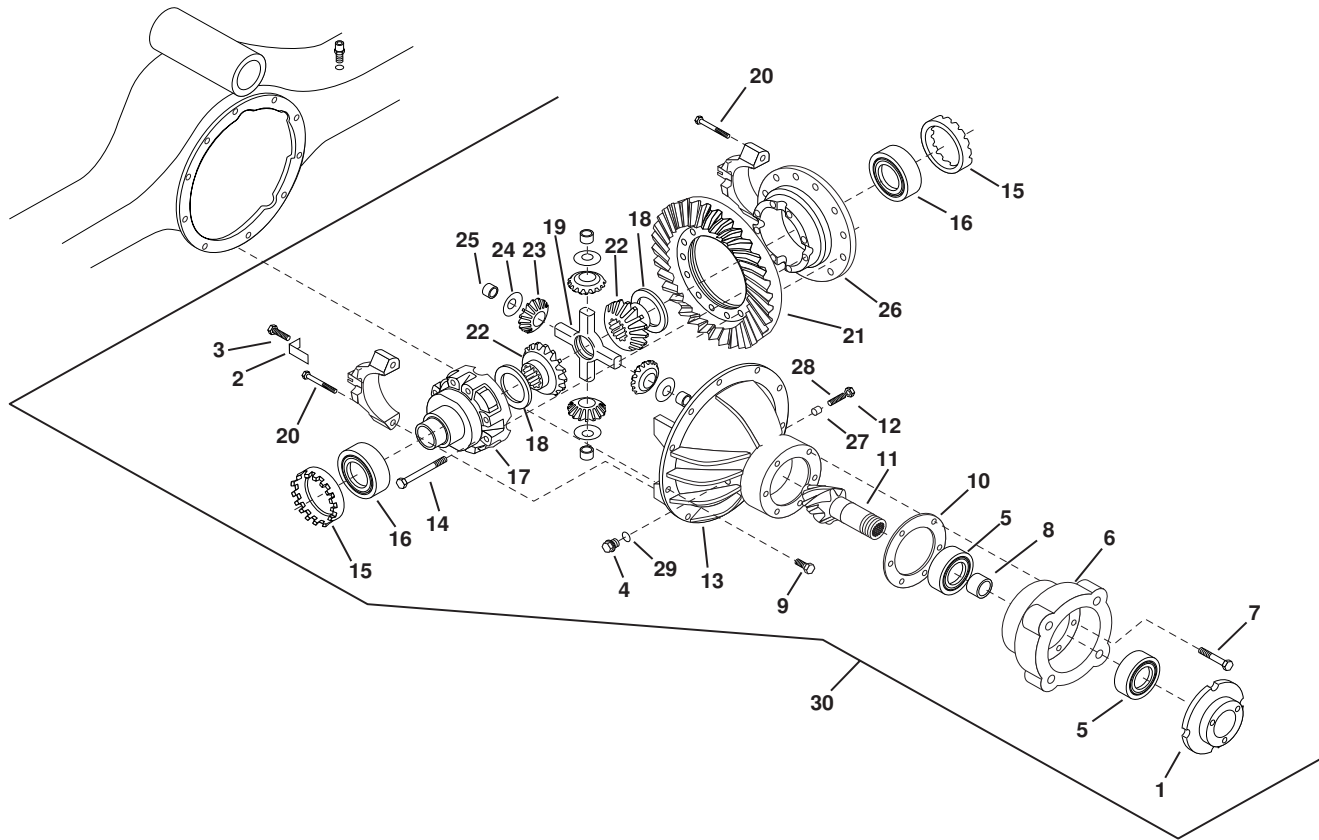
HYDRAULIC

### Carrier Assembly - Rear Axle Asm - 3111475



REF	PART NO.	QTY	DESCRIPTION	REF	PART NO.	QTY	DESCRIPTION
1	7050613	1	Nut-Pinion	21	7050568	1	Ring Gear
2	7050601	2	Lock Plate	22	7050572	2	Differential Side Gear
3	7050602	2	Cap Screw-Hex	23	7050588	4	Differential Pinion
4	7050604	1	Plug	24	7050590	4	Thrust Washer
5	7050609	2	Tapered Roller Bearing	25	7050591	4	Bearing Bushing
6	7050611	1	Pinion Housing	26	7050569	1	Differential Housing
7	7050592	8	Bolt-Hex Socket	27	7050607	1	Cap
8	7050610	1	Bushing	28	7050606	1	Support Bolt
9	7050603	12	Screw-Hex	29	7050605	1	Sealing Ring
10	7050612	1	Disk	30	7050566	1	Differential & Carrier Assy (Includes Items 1 Through 30)
11	7050567	1	Pinion				
12	7050608	1	Nut-Hex				
13	7050598	1	Differential Carrier				
14	7050592	12	Cap Screw-Socket Head				
15	7050600	2	Setting Ring				
16	7050597	2	Tapered Roller Bearing				
17	7050570	1	Differential Housing				
18	7050589	2	Thrust Washer				
19	7050571	1	Differential Spider				
20	7050599	4	Cap Screw-Hex				

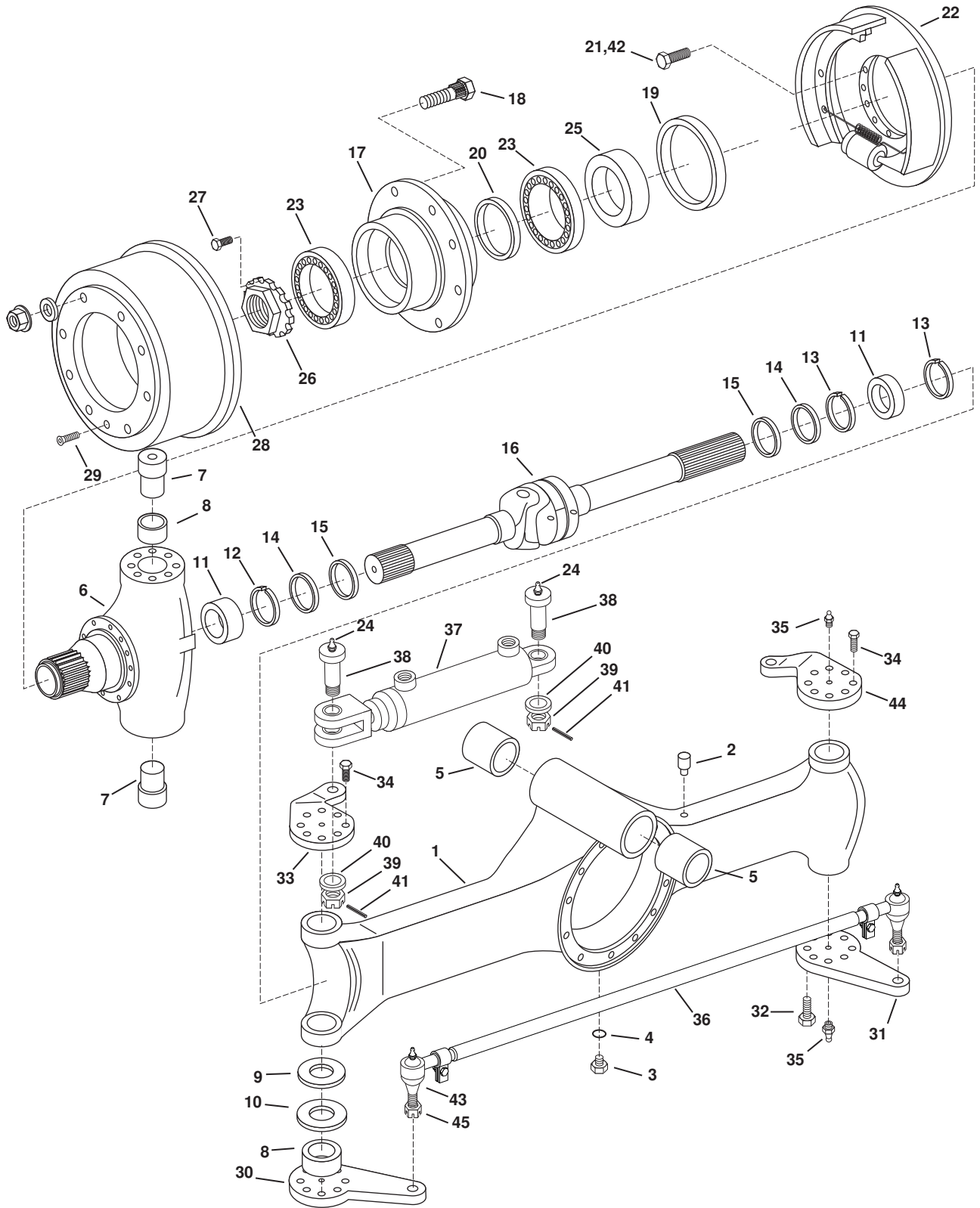
### Carrier Assembly - Front Axle Asm 3111467



REF	PART NO.	QTY	DESCRIPTION	REF	PART NO.	QTY	DESCRIPTION
1	7050613	1	Nut-Pinion	21	7050568	1	Ring Gear
2	7050601	2	Lock Plate	22	7050572	2	Differential Side Gear
3	7050602	2	Cap Screw-Hex	23	7050588	4	Differential Pinion
4	7050604	1	Plug	24	7050590	4	Thrust Washer
5	7050609	2	Tapered Roller Bearing	25	7050591	4	Bearing Bushing
6	7050611	1	Pinion Housing	26	7050569	1	Differential Housing
7	7050592	8	Bolt-Hex Socket	27	7050607	1	Cap
8	7050610	1	Bushing	28	7050606	1	Support Bolt
9	7050603	12	Screw-Hex	29	7050605	1	Sealing Ring
10	7050612	1	Disk	30	7050647	1	Differential & Carrier Assy (Includes Items 1 Through 30)
11	7050567	1	Pinion				
12	7050608	1	Nut-Hex				
13	7050598	1	Differential Carrier				
14	7050592	12	Cap Screw-Socket Head				
15	7050600	2	Setting Ring				
16	7050597	2	Tapered Roller Bearing				
17	7050570	1	Differential Housing				
18	7050589	2	Thrust Washer				
19	7050571	1	Differential Spider				
20	7050599	4	Cap Screw-Hex				



### Front Axle - Kessler



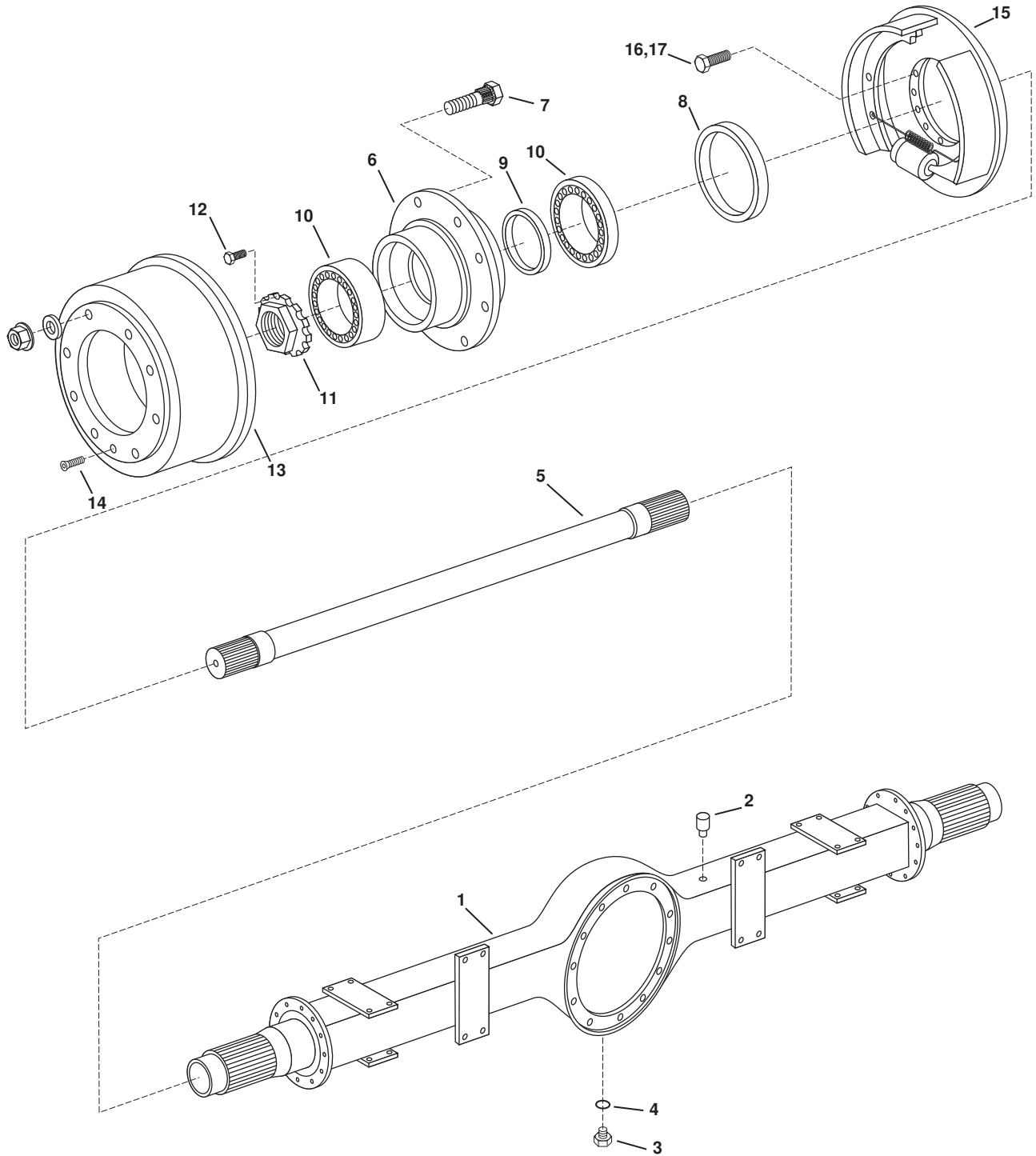


### Front Axle - Kessler

REF	PART NO.	QTY	DESCRIPTION	REF	PART NO.	QTY	DESCRIPTION
1	7050618	1	Axle Housing	28	7050536	2	Brake Drum
2	7050518	1	Breather	29	7050537	4	Countersunk Hex Head Screw
3	7050519	1	Plug	30	7050633	1	Lever
4	7050520	1	Sealing Ring	31	7050634	1	Lever
5	7050619	2	Bushing	32	7050635	12	Hex Screw
6	7050620	2	Steering Knuckle	33	7050654	1	Plate-Cylinder Mt, LH
7	7050621	4	King Pin	34	7050655	12	Hex Screw
8	7050622	4	Bearing Bushing	35	7050638	4	Grease Zerk
9	7050623	2	Thrust Washer	36	7050639	1	Track Rod
10	7050624	2	Disk	37	7050640	2	Steering Cylinder
11	7050625	4	Bushing	38	7050641	4	Bolt
12	7050626	2	Circlip	39	7050642	4	Castellated Nut
13	7050627	4	Circlip	40	7050643	4	Disk
14	7050628	4	Radial Seal Ring	41	7050644	4	Roll Pin
15	7050629	4	Radial Seal Ring	42	7050540	8	Hexagon Socket Screw
16	7050630	2	Cardan Joint	43	7050651	1	Rod End-Track Arm
17	7050631	2	Wheel Hub	44	7050652	1	Plate-Cylinder Mt, RH
18	7050523	20	Wheel Stud	45	7050653	2	Castellated Nut-Track Arm
19	7050531	2	Radial Seal Ring				
20	7050532	2	Radial Seal Ring				AR - As Required
21	7050539	34	Hexagon Socket Screw				
22	7050538	2	Brake Assembly				
23	7050533	4	Tapered Roller Bearing				
24	7050645	4	Grease Zerk				
25	7050632	2	Ring				
26	7050534	2	Nut				
27	7050535	2	Hex Socket Screw				

CHASSIS

### Rear Axle - Kessler

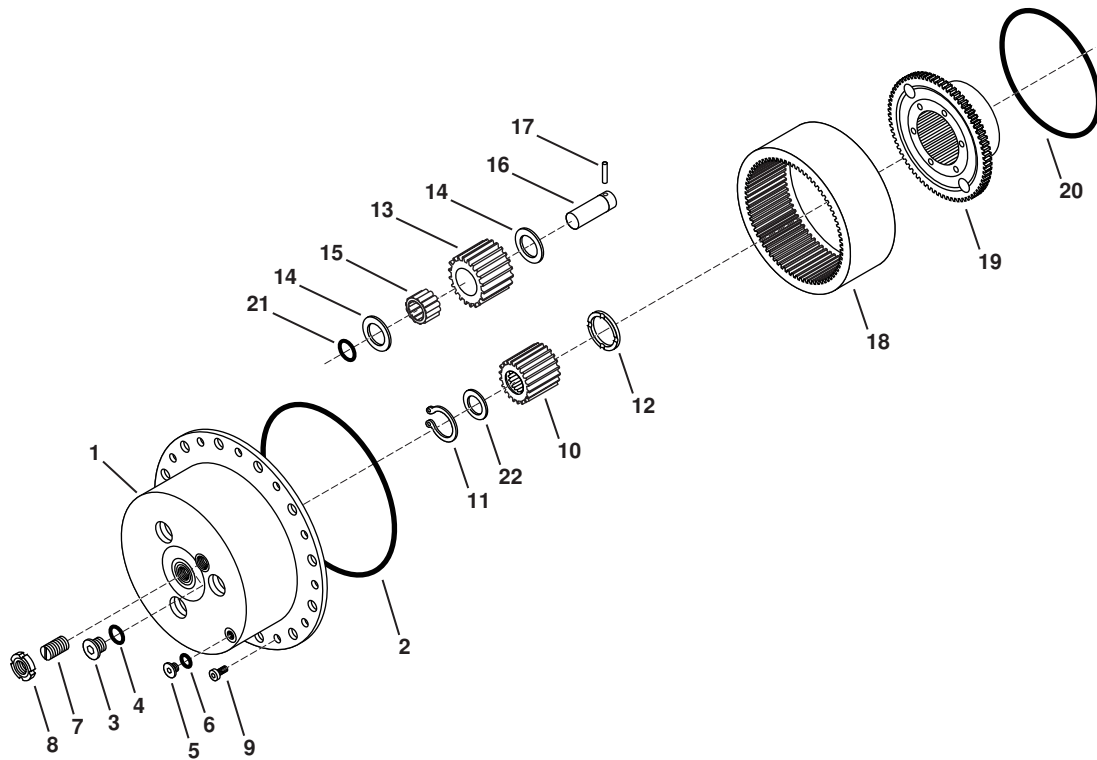


### Rear Axle - Kessler

REF	PART NO.	QTY	DESCRIPTION	REF	PART NO.	QTY	DESCRIPTION
1	3111475	1	Axle Housing				
2	7050518	1	Breather				
3	7050519	1	Plug				
4	7050520	1	Sealing Ring				
5	7050521	2	Axle Shaft				
6	7050522	2	Wheel Hub				
7	7050523	20	Wheel Stud				
8	7050531	2	Radial Seal Ring				
9	7050532	2	Radial Seal Ring				
10	7050533	4	Tapered Roller Bearing				
11	7050534	2	Nut				
12	7050535	2	Hex Socket Screw				
13	7050536	2	Brake Drum				
14	7050537	4	Countersunk Hex Head Screw				
15	7050538	2	Brake Assembly				
16	7050539	34	Hexagon Socket Screw				
17	7050540	8	Hexagon Socket Screw				
			AR - As Required				

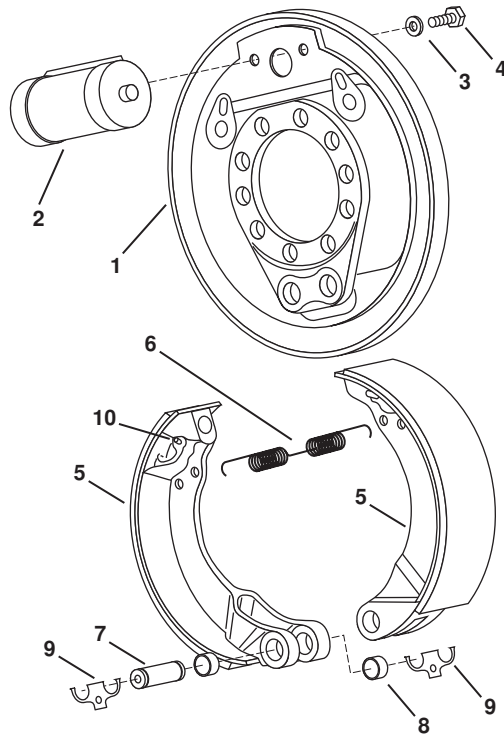
CHASSIS

Planetary Wheel End - Kessler



REF	PART NO.	QTY	DESCRIPTION	REF	PART NO.	QTY	DESCRIPTION
1	7050547	1	Planetary Housing	12	7050556	1	Thrust Ring
2	7050548	1	O-Ring	13	7050557	3	Planetary Gear
3	7050549	1	Screw Plug	14	7050558	6	Thrust Washer
4	7050550	1	Sealing Ring	15	7050559	3	Needle Bearing
5	7050519	1	Screw Plug	16	7050560	3	Planetary Pin
6	7050520	1	Sealing Ring	17	7050561	3	Locking Pin
7	7050551	1	Adjusting Screw	18	7050562	1	Ring Gear
8	7050552	1	Slotted Nut	19	7050563	1	Ring Gear Carrier
9	7050553	6	Hexagon Adjusting Screw	20	7050564	1	Circlip
10	7050554	1	Sun Gear	21	7050565	3	O-Ring
11	7050555	1	Circlip	22	7050646	2	Thrust Washer

## Brake Assembly - Kessler

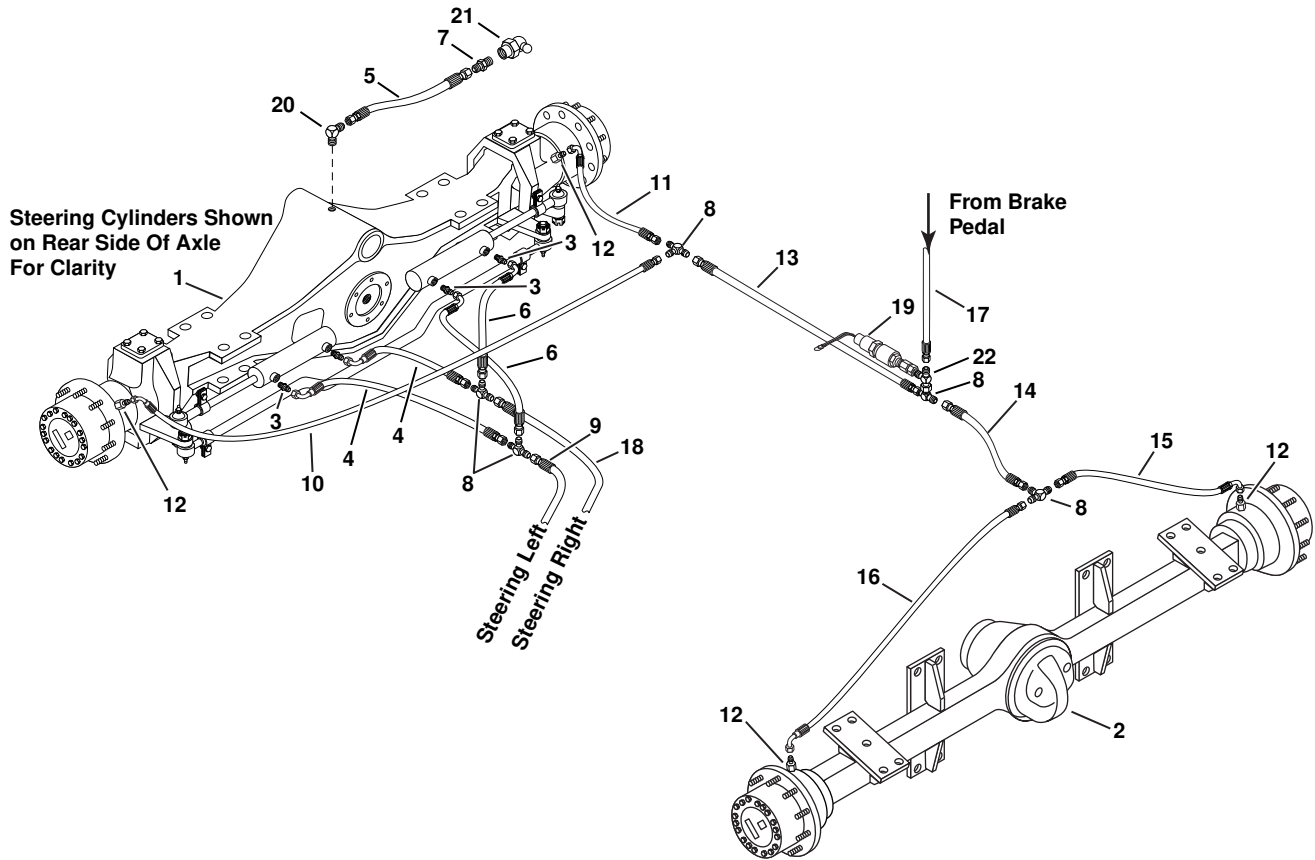


BRAKES

REF	PART NO.	QTY	DESCRIPTION	REF	PART NO.	QTY	DESCRIPTION
1	7050541	2	Brake Backing Plate				
2	7050542	2	Wheel Cylinder				
3	7050543	4	Spring Washer				
4	7050544	4	Hex Head Capscrew				
5	7050545	4	Brake Shoe				
6	7050546	2	Shoe Return Spring				
7	7050614	4	Shoe Pivot Pin				
8	7050615	8	Bearing Bushing				
9	7050616	2	Lock Plate				
10	7050617	4	Locking Pin				

### Brake and Steering Hoses 4WD

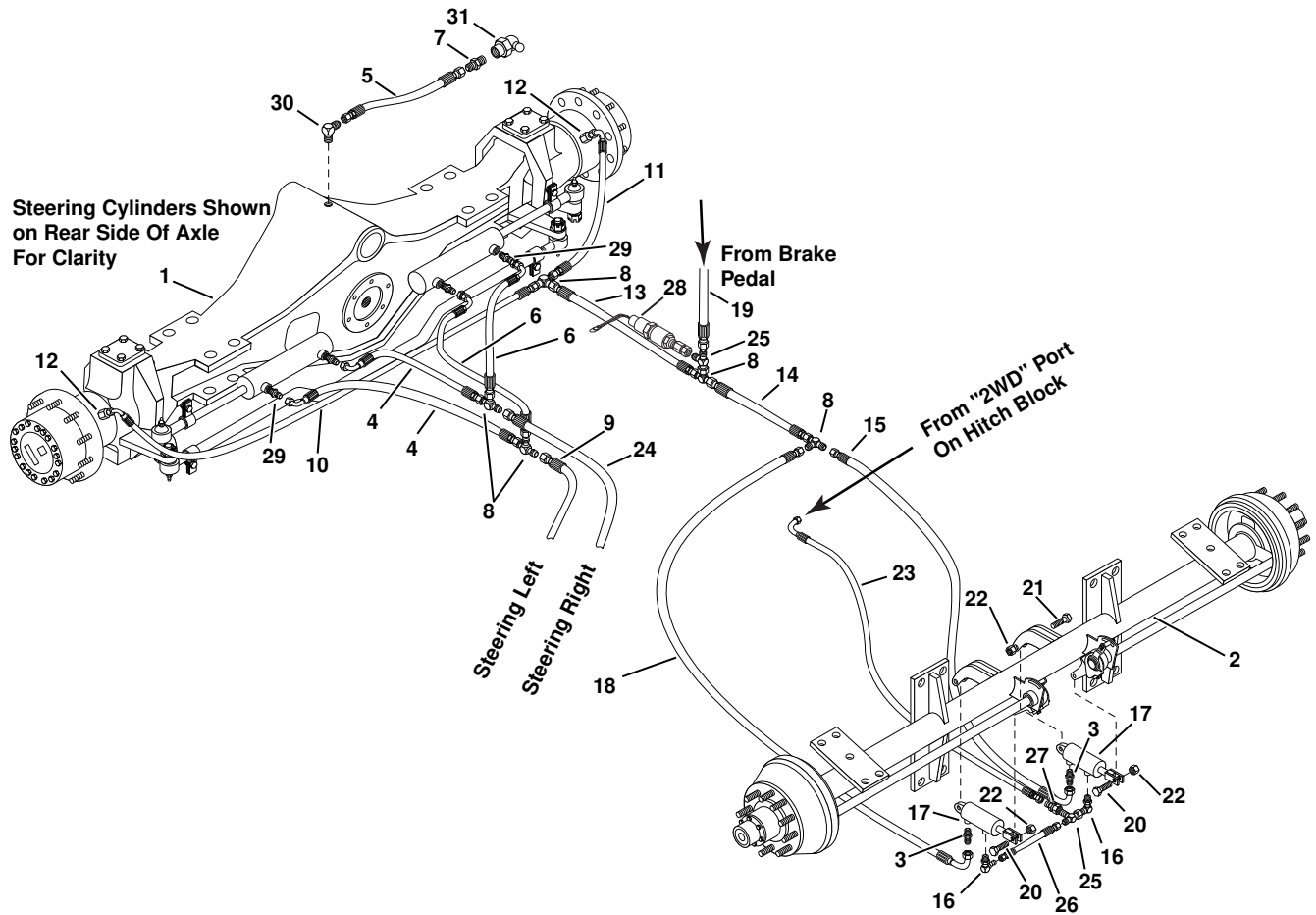
K-6199,6212 & Up



REF	PART NO.	QTY	DESCRIPTION	REF	PART NO.	QTY	DESCRIPTION
1	3111467	1	Axle-Front,Drive	17	3181241	1	Hose Asm-06 x 162,06FJX-06FJX
2	3111475	1	Axle-Rear,Drive	18	3181450	1	Hose Asm-06 x 204,06FJX-06FJX90
3	6603558	4	Adapter-Hyd,St,M18-06MJ	19	3160723	1	Switch Assy-Brake Pressure
4	3181738	2	Hose Asm-06 x 48,06FJX90-06FJX	20	6603554	1	Elbow-Hyd,90,M10-04MJ
5	3181731	1	Hose Asm-04 x 20,04FJX-04FJX	21	0109462	1	Zerk-90,0.12NPT
6	3181739	2	Hose Asm-06 x 67.5,06FJX90-06FJX	22	6602984	1	Tee-Hydr,06MJ-06FJX-06MJ
7	6601142	1	Adapter-Hyd,ST,02MP-04MJ				
8	9402981	5	Tee-Hyd,06MJ-06MJ-06MJ				
9	3181436	1	Hose Asm-06 x 204,06FJX-06FJX90				
10	3181218	1	Hose Asm-06 x 59,06FJX-06FJX90				
11	3181736	1	Hose Asm-06 x 27,06FJX-06FJX90				
12	6603548	4	Adapter-Hyd,ST,M14-06MJ				
13	3181213	1	Hose Asm-06 x 70,06FJX-06FJX				
14	3181737	1	Hose Asm-06 x 38.5,06FJX-06FJX				
15	3181734	1	Hose Asm-06 x 28.5,06FJX-06FJX90				
16	3181735	1	Hose Asm-06 x 55,06FJX-04FJX90				

## Brake and Steering Hoses 2WD

K-6199,6212 & Up

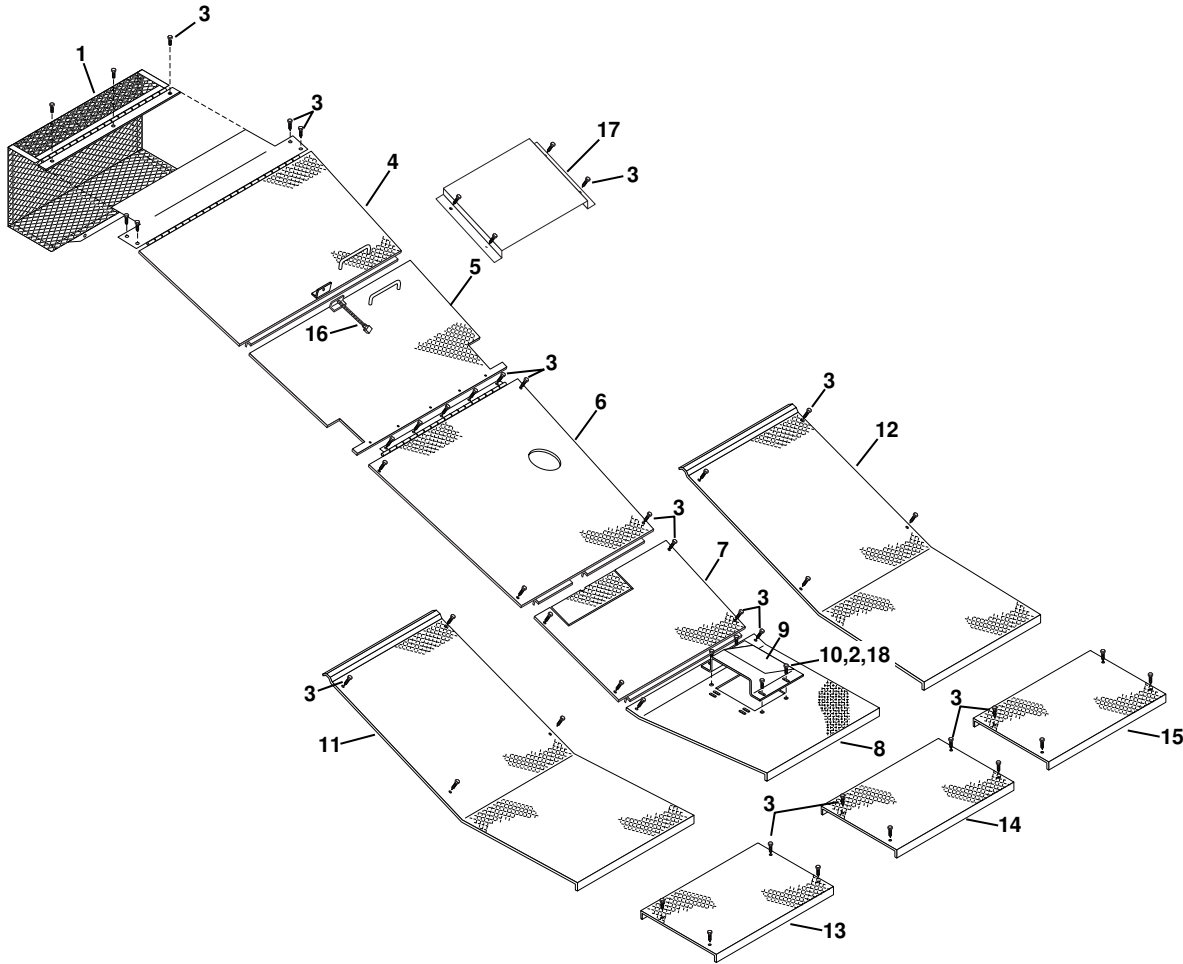


REF	PART NO.	QTY	DESCRIPTION	REF	PART NO.	QTY	DESCRIPTION
1	3111467	1	Axle-Front,Drive	17	6602680	2	Cylinder-Hyd,3" Bore x 2" Stroke
2	3111485	1	Axle-25K,97" Track,22.5" Hubs	18	3181357	1	Hose Asm-04 x 36,04FJX-04FJX90
3	9410202	2	Adapter-Hyd,ST,06MJ-06MJ	19	3181241	1	Hose Asm-06 x 162,06FJX-06FJX
4	3181738	2	Hose Asm-06 x 48,06FJX90-06FJX	20	0186646	2	Screw-Hex,0.50NC x 2.00,GR2,PD
5	3181731	1	Hose Asm-04 x 20,04FJX-04FJX	21	0120236	2	Screw-Hex,0.50NC x 3.00,GR2,PD
6	3181739	2	Hose Asm-06 x 67.5,06FJX90-06FJX	22	9413947	4	Nut-Hex,Lock,0.44NC,PD
7	6601142	1	Adapter-Hyd,ST,02MP-04MJ	23	3181356	1	Hose Asm-06 x 32,06FJX-06FJX90
8	9402981	5	Tee-Hyd,06MJ-06MJ-06MJ	24	3181450	1	Hose Asm-06 x 204,06FJX-06FJX90
9	3181436	1	Hose Asm-06 x 204,06FJX-06FJX90	25	6602984	2	Tee-Hydr,06MJ-06FJX-06MJ
10	3181218	1	Hose Asm-06 x 59,06FJX-06FJX90	26	3181355	1	Hose Asm-06 x 16,06FJX-06FJX
11	3181736	1	Hose Asm-06 x 27,06FJX-06FJX90	27	6602707	1	Adapter-Hyd,ST,06FJX-04MJ
12	6603548	2	Adapter-Hyd,ST,M14-06MJ	28	3160723	1	Switch Assy-Brake Pressure
13	3181213	1	Hose Asm-06 x 70,06FJX-06FJX	29	6603558	4	Adapter-Hyd,St,M18-06MJ
14	3181214	1	Hose Asm-06 x 28,06FJX-06FJX	30	6603554	1	Elbow-Hyd,90,M10-04MJ
15	3181278	1	Hose Asm-06 x 20,06FJX-06FJX90	31	0109462	1	Zerk-90,0.12NPT
16	9410976	2	Elbow-Hyd,90,06MB-06MJ				



### Engine & Conveyor Covers & Decking

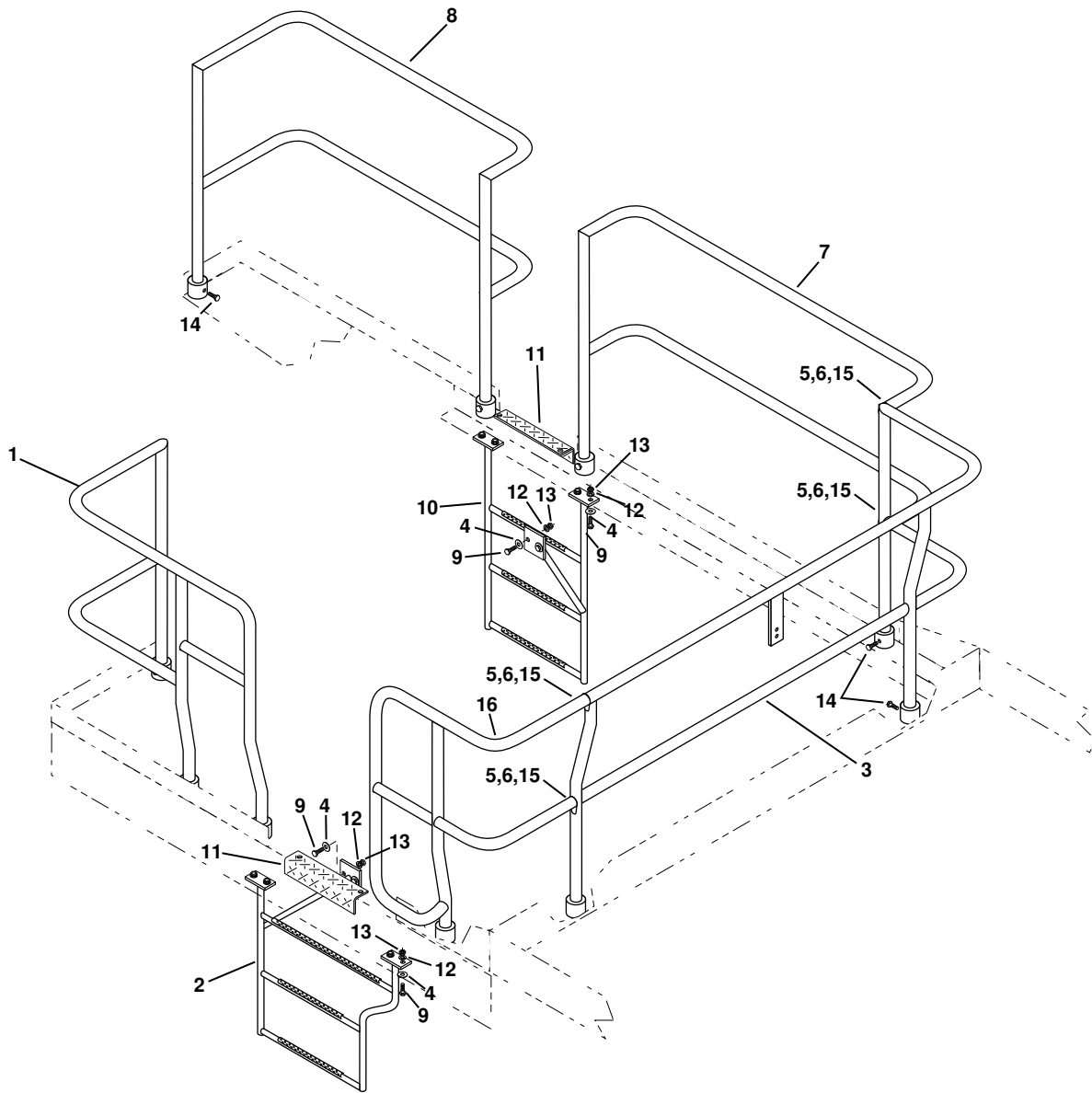
K6162, K6199, K6212 & Up



REF	PART NO.	QTY	DESCRIPTION	REF	PART NO.	QTY	DESCRIPTION
1	3102115	1	Cover/Grille Asm,Frt	9	3102213	1	Cover-Deck,E-Chain
2	0120386	4	Washer-Flat,0.25A,(0.31x0.73),PD	10	0121887	4	Screw-Hex,0.25NC x 0.75,GR2,PD
3	0448481	46	Screw-Hex Hd,3/8NC x 3/4,Selftap	11	3101916	1	Guard-Conveyor,LH,Hydro
4	3101915	1	Cover/Grille Asm-Conv Motors	12	3101917	1	Guard-Conveyor,RH,Hydro
5	3101909	1	Cover-Asm,Rad & Cool	13	3101994	1	Deck-Stl,Chair Rails,LH
6	3102334	1	Cover-Asm,Engine,Ctr,Cummins QSB	14	3101963	1	Deck-Stl,Between Chair Rails
	3102060	1	Cover-Asm,Engine,Ctr,Cummins BTA	15	3101995	1	Deck-Stl,Chair Rails,RH
7	3102192	1	Decking-Center Rear, Cummins QSB	16	6000544	1	Padlk-Mstr. Lk#500-C,W/Chain & Key
	3102016	1	Decking-Center Rear,Cummins BTA	17	3102001	1	Cover,Conveyor Front,RH
8	3102215	1	Decking-Center Frt,Asm	18	0120380	4	Washer-Lock,0.25,Spring,PD

### Handrails And Ladders

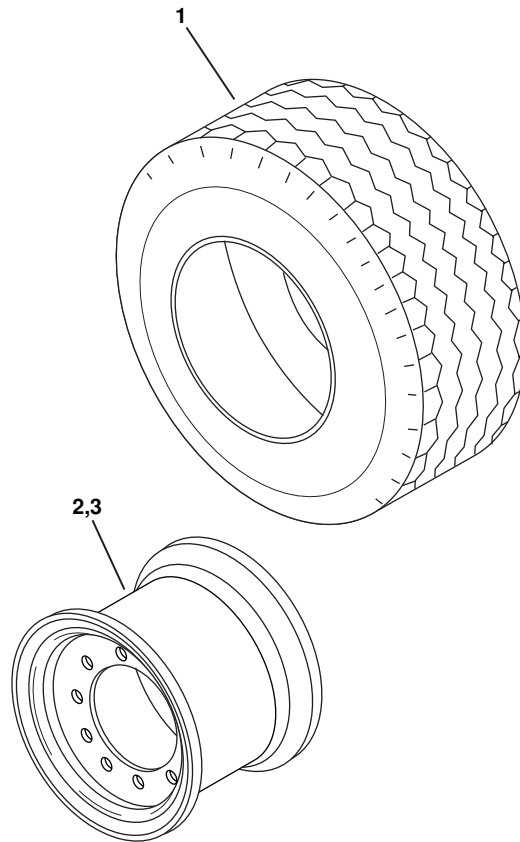
K6212 & Up



REF	PART NO.	QTY	DESCRIPTION	REF	PART NO.	QTY	DESCRIPTION
1	3102309	1	Handrail-Asm,Left Asm	10	3101335	1	Ladder Asm-24",RH Side,Hydro
2	3101549	1	Ladder Asm-Left Side,Hydro	11	3100222	2	Step-Rough Tread
3	3102312	1	Handrail Asm-Rear Catwalk	12	0120214	12	Washer-Lock,0.31,Spring,PD
4	0446363	13	Washer-Flat,0.31A(0.38 x 0.88)PD	13	0120376	12	Nut-Hex,0.31NC,PD
5	0122188	2	Screw-Hex,0.38NC x 2.25,GR2,PD	14	0120233	9	Screw-Hex,0.38NC x 1.00,GR2,PD
6	0120377	2	Nut-Hex,0.38NC,PD	15	0120382	2	Washer-Lock,0.38,Spring,PD
7	3102322	1	Handrail-Asm,Right Side,Rear	16	3102317	1	Handrail-Asm,Left,Rear
8	3102343	1	Handrail-Asm,Right Side,Front				
9	6001265	12	Screw-Hex,0.31NC x 1.00,GR8				

Specify Unit Serial No., Part No., & Part Description

**Tires And Wheels - Kessler**  
2WD and 4WD



REF	PART NO.	QTY	DESCRIPTION	REF	PART NO.	QTY	DESCRIPTION
1	6450767	4	Tire-385/65R22.5, 18 Ply, (2 & 4WD)				
2	3111469	4	Wheel Asm-Frt,22.5x12.25 (2 & 4WD)				
3	6450265	4	Valve-Tire, Tubeless, Truck				

INDEX									
Part No.	Page No.	Part No.	Page No.	Part No.	Page No.	Part No.	Page No.	Part No.	Page No.
0102582	13	0120383	21	0318158	19	3111464	21	3142297	15
0102582	15	0120384	11	0426099	9	3111465	21	3142302	13
0103347	9	0120384	13	0426099	11	3111467	21	3142302	15
0103374	11	0120384	15	0428715	21	3111467	44	3142303	13
0103409	13	0120384	25	0446363	9	3111467	45	3142303	15
0103409	15	120384	33	0446363	17	3111469	48	3142304	13
0103409	17	0120386	46	0446363	19	3111470	21	3142304	15
0103409	19	0120388	11	0446363	47	3111471	21	3142305	13
0103411	9	0120388	13	0448445	46	3111472	21	3142305	15
0105413	17	0120388	15	0457008	9	3111475	21	3142316	13
0108686	17	0120390	11	0457008	25	3111475	41	3142316	15
0108686	19	0120426	11	3100096	25	3111475	44	3142317	13
0109462	25	0120706	11	3100174	25	3111481	22	3142317	15
0109462	44	0121574	21	3100222	47	3111482	22	3142365	13
0109462	45	0121574	29	3100475	13	3111485	45	3142365	15
0119098	13	0121887	46	3100475	15	3111492	29	3142366	13
0119098	15	0122017	9	3101335	47	3111493	21	3142366	15
0119098	17	0122017	17	3101533	13	3120953	9	3142397	13
0120214	9	0122017	19	3101533	15	3120964	9	3142397	15
0120214	11	0122145	11	3101549	47	3120978	11	3142518	13
0120214	17	0122188	47	3101909	46	3120979	11	3142518	15
0120214	19	0122333	21	3101915	46	3120981	11	3142539	13
0120214	25	0124589	21	3101916	46	3121014	9	3142539	15
0120214	47	0124589	25	3101917	46	3130055	25	3142547	13
0120233	9	0127960	25	3101963	46	3130083	25	3142547	15
0120233	11	0127962	25	3101987	11	3130095	25	3142548	13
0120233	21	0130999	25	3101994	46	3130395	25	3142548	15
0120233	25	0131000	9	3101995	46	3130398	25	3142549	13
0120233	28	0131000	11	3102001	46	3130402	25	3142549	15
0120233	28	0131046	9	3102012	46	3130422	25	3142552	13
0120233	47	0131046	11	3102013	46	3130424	25	3142552	15
0120236	45	0140813	13	3102016	46	3130552	25	3142555	13
0120376	9	0140813	15	3102022	11	3140083	13	3142562	15
0120376	11	0140813	17	3102039	25	3140083	15	3142564	13
0120376	17	0140813	19	3102040	25	3140094	25	3142564	15
0120376	19	0142868	25	3102060	46	3140404	13	3142565	13
0120376	25	0180175	13	3102068	11	3140404	15	3142565	15
0120376	47	0180175	15	3102092	46	3140918	13	3142566	13
0120377	9	0180183	25	3102095	9	3140918	15	3142567	15
0120377	11	0186646	25	3102115	46	3140918	17	3142568	13
0120377	13	0186646	45	3102304	11	3140918	19	3142569	15
0120377	13	0187870	13	3102305	11	3141190	13	3142570	13
0120377	15	0187870	13	3102307	11	3141190	15	3142571	15
0120377	15	0187870	15	3102308	11	3141194	13	3142572	13
0120377	21	0187870	15	3102309	47	3141194	15	3142608	13
0120377	25	0191966	25	3102312	47	3141346	13	3142608	15
0120377	28	0192042	17	3102317	47	3141346	15	3142609	13
0120377	47	0192042	19	3102322	47	3141573	15	3142609	15
0120378	11	0192042	25	3102334	46	3141811	13	3142610	13
0120378	25	0192086	25	3102336	21	3141811	15	3142610	15
0120380	46	0220088	13	3102343	47	3141871	13	3142665	15
0120382	9	0220088	15	3110993	21	3141871	15	3142666	15
0120382	11	0223515	29	3111420	21	3141872	13	3142667	15
0120382	21	0271501	21	3111440	21	3141872	15	3142668	15
0120382	25	274253	33	3111441	21	3142167	13	3142669	13
0120382	28	274253	33	3111459	21	3142167	15	3142670	13
0120382	47	274253	35	3111462	21	3142297	13	3142671	13

INDEX									
Part No.	Page No.	Part No.	Page No.	Part No.	Page No.	Part No.	Page No.	Part No.	Page No.
3142672	13	3170061	15	3181456	35	3181587	13	3181726	28
3142772	13	3170061	17	3181513	17	3181587	17	3181727	28
3142772	15	3170061	19	3181514	17	3181587	19	3181731	44
3142774	13	3180945	25	3181515	17	3181588	15	3181731	45
3142774	15	3181072	33	3181516	17	3181589	13	3181732	29
3142782	13	3181072	35	3181517	17	3181589	17	3181732	33
3142782	15	3181095	28	3181518	17	3181589	19	3181732	35
3142784	13	3181096	28	3181519	17	3181590	15	3181733	33
3142784	15	3181097	28	3181520	17	3181591	13	3181734	44
3142786	13	3181098	28	3181521	17	3181591	17	3181735	44
3142786	15	3181198	33	3181522	17	3181591	19	3181736	44
3142787	13	3181198	35	3181523	17	3181592	15	3181736	45
3142787	15	3181213	44	3181524	17	3181593	13	3181737	44
3142788	13	3181213	45	3181525	17	3181593	17	3181738	44
3142788	15	3181214	45	3181526	17	3181593	19	3181738	45
3142789	13	3181218	44	3181527	17	3181594	15	3181739	44
3142789	15	3181218	45	3181528	17	3181596	17	3181739	45
3150760	9	3181233	21	3181529	17	3181597	17	3181748	19
3150764	9	3181233	33	3181530	17	3181598	17	3181748	27
3150812	9	3181233	35	3181531	17	3181599	33	3181749	19
3150823	9	3181241	9	3181532	17	3181599	35	3181749	27
3150824	9	3181241	44	3181553	17	3181600	33	3181750	19
3150826	7	3181241	45	3181554	17	3181600	35	3181750	27
3150835	7	3181247	9	3181555	17	3181603	27	3181753	19
3160655	7	3181278	45	3181556	17	3181604	27	3181753	27
3160669	7	3181343	28	3181557	17	3181608	27	3181754	19
3160670	7	3181355	45	3181558	17	3181611	33	3181754	27
3160671	7	3181356	45	3181559	17	3181611	35	3181755	19
3160677	7	3181357	45	3181560	17	3181613	27	3181755	27
3160678	7	3181436	9	3181569	19	3181613	33	3181756	28
3160679	7	3181436	44	3181569	27	3181613	35	3181758	27
3160686	7	3181436	45	3181570	19	3181614	27	3181759	19
3160691	17	3181437	29	3181570	27	3181637	28	3181759	27
3160691	19	3181437	33	3181571	19	3181640	27	3181760	19
3160722	7	3181437	35	3181571	27	3181641	27	3181760	27
3160723	44	3181439	9	3181572	19	3181650	27	3181761	19
3160723	45	3181439	33	3181572	27	3181651	27	3181761	27
3160730	7	3181439	35	3181573	19	3181654	27	3181762	19
3160732	7	3181440	9	3181573	27	3181698	33	3181762	27
3160741	17	3181441	33	3181574	19	3181698	35	3181763	19
3160743	17	3181441	35	3181574	27	3181699	33	3181763	27
3160744	17	3181442	33	3181575	19	3181699	35	3183520	29
3160746	17	3181442	35	3181575	27	3181702	28	3350231	11
3160809	7	3181443	33	3181576	19	3181708	11	3350232	11
3160823	7	3181443	35	3181576	27	3181708	31	3370465	7
3160824	7	3181444	33	3181577	13	3181708	33	5430025	7
3160828	7	3181444	35	3181577	17	3181708	35	6000207	11
3160840	7	3181445	9	3181578	15	3181715	33	6000224	25
3160841	7	3181445	33	3181578	19	3181715	35	6000397	11
3160841	21	3181445	35	3181579	19	3181716	11	6000544	9
3160842	21	3181446	33	3181580	19	3181716	33	6000544	46
3160843	7	3181446	35	3181583	15	3181716	35	6000550	25
3160845	19	3181450	9	3181583	19	3181717	11	6000792	28
3160846	19	3181450	44	3181584	13	3181717	33	6000916	21
3160847	19	3181450	45	3181584	17	3181717	35	6000999	21
3160848	19	3181451	9	3181585	19	3181724	33	6001049	21
3170061	13	3181456	33	3181586	19	3181724	35	6001054	9

INDEX									
Part No.	Page No.	Part No.	Page No.	Part No.	Page No.	Part No.	Page No.	Part No.	Page No.
6001079	9	6435478	25	6602601	33	6603333	15	6703100	7
6001081	21	6435479	25	6602601	35	6603333	17	6703101	13
6001082	21	6445077	25	6602602	33	6603333	19	6703101	15
6001148	9	6450265	48	6602602	35	6603343	27	6703126	17
6001163	21	6450767	48	6602603	9	6603344	27	6703126	19
6001265	47	6600162	21	6602604	28	6603375	21	6703139	7
6001423	9	6600236	33	6602617	28	6603376	21	6703274	7
6001426	33	6600236	35	6602624	33	6603377	21	6703277	7
6001446	28	6600305	17	6602628	28	6603378	9	6703286	7
6001448	28	6600305	19	6602645	13	6603507	9	6703299	7
6001480	22	6600324	17	6602645	15	6603520	33	6703300	7
6001601	7	6600324	19	6602645	17	6603525	29	6703301	7
6001638	21	6600903	33	6602645	19	6603547	29	6703379	7
6001638	28	6600903	35	6602678	35	6603547	33	6703380	7
6001763	22	6600921	33	6602679	35	6603548	44	6703381	7
6001764	22	6600921	35	6602680	45	6603548	45	6703382	7
6100086	21	6600958	13	6602707	45	6603554	44	6703383	7
6100174	9	6600958	15	6602735	28	6603554	45	6703385	7
6100267	21	6600958	17	6602736	28	6603558	44	6703386	7
6100277	11	6601045	33	6602796	11	6603558	45	6703387	7
6100277	25	6601045	35	6602850	33	6603559	29	6703390	7
6100677	29	6601064	28	6602850	35	6603559	33	6703395	7
6100678	29	6601122	9	6602860	11	6603567	19	6703408	7
6400532	21	6601142	44	6602901	17	6603568	19	6703502	7
6400567	22	6601142	45	6602901	19	6603569	19	6703503	7
6400589	22	6601381	17	6602903	17	6603570	19	6703571	7
6400590	22	6601418	21	6602903	19	6603571	29	6703670	29
6400591	22	6601418	33	6602904	17	6603571	33	6703687	7
6400592	22	6601418	35	6602904	19	6603572	29	6703722	7
6400593	22	6601704	9	6602984	44	6603572	33	7050056	33
6420086	25	6602021	33	6602984	45	6603573	33	7050056	35
6420105	11	6602021	35	6603038	31	6603574	33	7050088	33
6420192	13	6602117	31	6603038	33	6603576	35	7050088	35
6420192	15	6602117	33	6603038	35	6603577	35	7050089	33
6420195	25	6602117	35	6603039	27	6700161	7	7050089	35
6420222	13	6602133	27	6603132	13	6700188	7	7050090	33
6420222	15	6602134	9	6603132	15	6700771	7	7050090	35
6420223	13	6602134	17	6603132	17	6700772	7	7050127	25
6420223	15	6602134	19	6603132	19	6700921	7	7050128	25
6420224	13	6602134	33	6603133	13	6701467	7	7050136	33
6420224	15	6602134	35	6603133	15	6701468	7	7050136	35
6420225	13	6602140	31	6603133	17	6701540	7	7050137	33
6420225	15	6602140	33	6603133	19	6702024	7	7050137	35
6430070	11	6602140	35	6603134	13	6702028	7	7050138	33
6430077	11	6602153	9	6603134	15	6702238	19	7050138	35
6430359	13	6602228	13	6603134	17	6702241	7	7050149	7
6430359	15	6602228	15	6603134	19	6702483	7	7050150	7
6435459	9	6602228	17	6603135	13	6702543	7	7050154	27
6435459	11	6602338	13	6603135	15	6702544	7	7050157	7
6435459	13	6602338	15	6603135	17	6702545	7	7050158	7
6435459	15	6602338	17	6603135	19	6702546	7	7050159	7
6435460	13	6602338	19	6603163	33	6702547	7	7050160	33
6435460	15	6602339	13	6603178	33	6702548	7	7050160	35
6435466	13	6602339	15	6603178	35	6702549	7	7050189	29
6435466	15	6602339	17	6603268	33	6702550	7	7050189	33
6435467	13	6602339	19	6603269	33	6702551	7	7050191	29
6435467	15	6602376	25	6603333	13	6703093	7	7050191	33

INDEX									
Part No.	Page No.	Part No.	Page No.	Part No.	Page No.	Part No.	Page No.	Part No.	Page No.
7050258	27	7050519	42	7050566	36	7050607	36	7215229	13
7050259	27	7050520	39	7050567	36	7050607	37	7215229	15
7050259	31	7050520	41	7050567	37	7050608	36	7215229	17
7050260	27	7050520	42	7050568	36	7050608	37	7215229	19
7050261	27	7050521	41	7050568	37	7050609	36	7215236	9
7050263	27	7050522	41	7050569	36	7050609	37	7215237	9
7050264	27	7050523	39	7050569	37	7050610	36	7420292	33
7050269	27	7050523	41	7050570	36	7050610	37	7420292	33
7050347	21	7050524	21	7050570	37	7050611	36	7420292	35
7050349	21	7050525	21	7050571	36	7050611	37	7430253	9
7050367	27	7050526	21	7050571	37	7050612	36	7430254	9
7050369	27	7050527	21	7050572	36	7050612	37	7430255	9
7050370	27	7050531	39	7050572	37	7050613	36	7430256	9
7050371	27	7050531	41	7050573	19	7050613	37	7430257	9
7050375	27	7050532	39	7050574	19	7050614	43	7430258	9
7050397	21	7050532	41	7050575	19	7050615	43	7430259	9
7050398	21	7050533	39	7050576	19	7050616	43	7430260	9
7050399	21	7050533	41	7050577	19	7050617	43	7430261	9
7050406	33	7050534	39	7050578	19	7050618	39	7530041	17
7050406	33	7050534	41	7050579	19	7050619	39	7530041	19
7050406	35	7050535	39	7050586	31	7050620	39	9400207	21
7050406	35	7050535	41	7050588	36	7050621	39	9402711	28
7050410	9	7050536	39	7050588	37	7050622	39	9402981	44
7050411	9	7050536	41	7050589	36	7050623	39	9402981	45
7050412	9	7050537	39	7050589	37	7050624	39	9403374	28
7050413	9	7050537	41	7050590	36	7050625	39	9403374	33
7050414	9	7050538	39	7050590	37	7050626	39	9403374	35
7050415	9	7050538	41	7050591	36	7050627	39	9410200	11
7050416	9	7050539	39	7050591	37	7050628	39	9410200	27
7050417	9	7050539	41	7050592	36	7050629	39	9410200	29
7050447	33	7050540	39	7050592	36	7050630	39	9410200	31
7050447	33	7050540	41	7050592	37	7050631	39	9410200	33
7050447	35	7050541	43	7050592	37	7050632	39	9410200	35
7050447	35	7050542	43	7050593	29	7050633	39	9410202	31
7050487	31	7050543	43	7050594	29	7050634	39	9410202	33
7050491	33	7050544	43	7050595	29	7050635	39	9410202	35
7050491	33	7050545	43	7050596	29	7050638	39	9410202	45
7050491	35	7050546	43	7050597	36	7050639	39	9410203	27
7050491	35	7050547	42	7050597	37	7050640	39	9410203	31
7050492	33	7050548	42	7050598	36	7050641	39	9410203	33
7050492	35	7050549	42	7050598	37	7050642	39	9410203	35
7050493	33	7050550	42	7050599	36	7050643	39	9410207	33
7050493	35	7050551	42	7050599	37	7050644	39	9410207	35
7050500	7	7050552	42	7050600	36	7050645	39	9410280	31
7050504	22	7050553	42	7050600	37	7050646	42	9410280	33
7050505	22	7050554	42	7050601	36	7050647	37	9410280	35
7050506	22	7050555	42	7050601	37	7050649	29	9410283	21
7050507	31	7050556	42	7050602	36	7050649	33	9410285	33
7050508	31	7050557	42	7050602	37	7050651	39	9410285	35
7050509	31	7050558	42	7050603	36	7050652	39	9410309	21
7050510	31	7050559	42	7050603	37	7050653	39	9410335	33
7050511	31	7050560	42	7050604	36	7050654	39	9410335	35
7050512	31	7050561	42	7050604	37	7050655	39	9410356	27
7050518	39	7050562	42	7050605	36	7215228	13	9410356	31
7050518	41	7050563	42	7050605	37	7215228	15	9410359	27
7050519	39	7050564	42	7050606	36	7215228	17	9410976	9
7050519	41	7050565	42	7050606	37	7215228	19	9410976	17



INDEX									
Part No.	Page No.	Part No.	Page No.	Part No.	Page No.	Part No.	Page No.	Part No.	Page No.
9410976	19								
9410976	27								
9410976	31								
9410976	35								
9410976	45								
9410977	31								
9410977	33								
9410977	35								
9410979	27								
9410979	31								
9410979	33								
9410979	35								
9411027	13								
9411027	15								
9411727	25								
9413947	45								
9414000	21								
9422850	21								
9437244	21								
PD10267	7								
PD10411	7								
PD10412	7								
PD10434	7								
Q444884	17								
Q444884	19								



# Something Wrong with this manual?

If you find inaccurate or confusing information in this manual, or just have a suggestion for improvement, please let us know.

Mail or FAX this form to us at: E. D. ETNYRE & CO. 1333 S. Daysville Rd.  
 Oregon, Illinois 61061 • Fax: 800-521-1107 • www.etnyre.com  
 Attn: Service Manager

Recommended changes from: \_\_\_\_\_

Address \_\_\_\_\_

City, State, Zip \_\_\_\_\_

Phone \_\_\_\_\_

Date Sent \_\_\_\_\_

**Manual Number** (upper right corner of front cover) \_\_\_\_\_

**Manual Title** \_\_\_\_\_

**Explain the problem in the space below.**

Page Number	Reference Number	Paragraph Number	Figure Number	Problem (please be specific)