



[-] GLL

Parts List

**Two Stage 80% With ICM Motor
Downflow Gas Furnace
Series L Sizes 07-12**





Order Of Contents			
Model and Serial Number Explanation	Page 3	Heat Exchange/Burner Group	Page 8
Exploded View Drawing	Page 4	Gas Control Group - FC	Page 9
Panels and Sheet Metal Group	Page 5	Miscellaneous -Tubing / Wiring Assy	Page 10
Electric Group	Page 6	Miscellaneous - Flue and Filter	Page 11
Blower Group	Page 7		

ORDERING, STOCKING AND NOTE EXPLANATIONS

Ordering Instructions:

When ordering a replacement part, be sure to read all notes and symbol notations on the parts list. In some cases, it is necessary to determine the unit style number and/or serial number in addition to the model number before selecting a replacement part. When ordering painted cabinet parts, the order **must specify** unit model number, serial number and paint color. Also, your order can be processed more rapidly if you show the part number and description. Once the product is out of current production, ordering such parts must be cleared with the Parts Department as price and availability will vary.

Replacement Parts Stocking Information:

See the current "List Price Book For Air Conditioning Parts" for individual Stock code information. As a general rule, most parts are in stock or have a short order period as long as the product is in current production. Once the product is out of current production, ordering such parts must be cleared with the Parts Department as price and availability will vary.

Note Explanation:

- np This part is not shown on the pictorial page [**no picture**].
- cr This original part number has been "**cross-referenced**" to an equal to or better than replacement part number.

- new This part was **new** to the List Price Book when the product was introduced.
- stock or stk This part should be **stocked**.

- 1 These parts are to be used only as repair parts for units which have been converted to LP (Propane) gas by the appropriate conversion kit.

AIR CONDITIONING DIVISION
UNIVERSAL PARTS®
P.O. Box 17010
FORT SMITH, ARKANSAS 72917-7010
501-646-4311



GAS FURNACE MODEL NUMBER EXPLANATION

[-] G L L - 07E B R K R OPT277
 1 2 3 4 5 6 7 8 9 10

Position

- 1 Tradename
- 2 G = Gas Furnace
- 3 L = Downflow
- 4 Design Series
- 5 Heating Capacity (Input)
Hot Surface

<u>Ignition</u>	<u>NOx</u>	<u>Input BTU/HR</u>
05E	05N	50,000
07E	07N	75,000
10E	10N	100,000
12E	12N	125,000

Position

- 6 Variations -
B = Wide Cabinet
- 7 Blower Designation -
M = 11 x 7 DU
R = 11 x 10 DU
- 8 Heating & Cooling Designation -
K = 800-1200 CFM
Q = 1000-1600 CFM
M = 1200-2000 CFM
- 9 Fuel Designation -
A = Canadian Furnace - Natural Gas
R = U.S. Furnace - Natural Gas
- 10 Option Codes

SERIAL NUMBER EXPANATION

FC 5 D 7 0 7 F 18 99 99999
 A B C D E F G H I J

Position

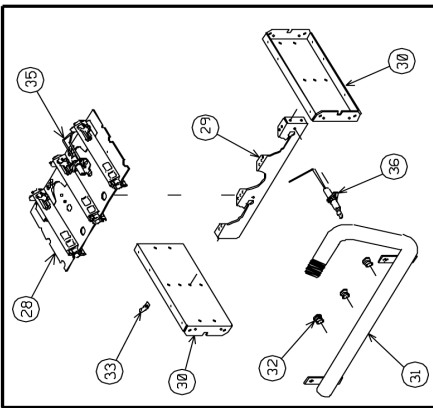
- A Type Of Gas Control Used On Unit:
FC) White Rodger 36E99-201 /
United Technologies 1095-101
Interface Board / Direct Spark Ignitor
- B Limit Control:
1 - Watsco Limit Control
5 - T.O.D. Limit Control
- C Blower - D = Direct Drive
- D Heating Element - 7 = Stainless Steel

Position

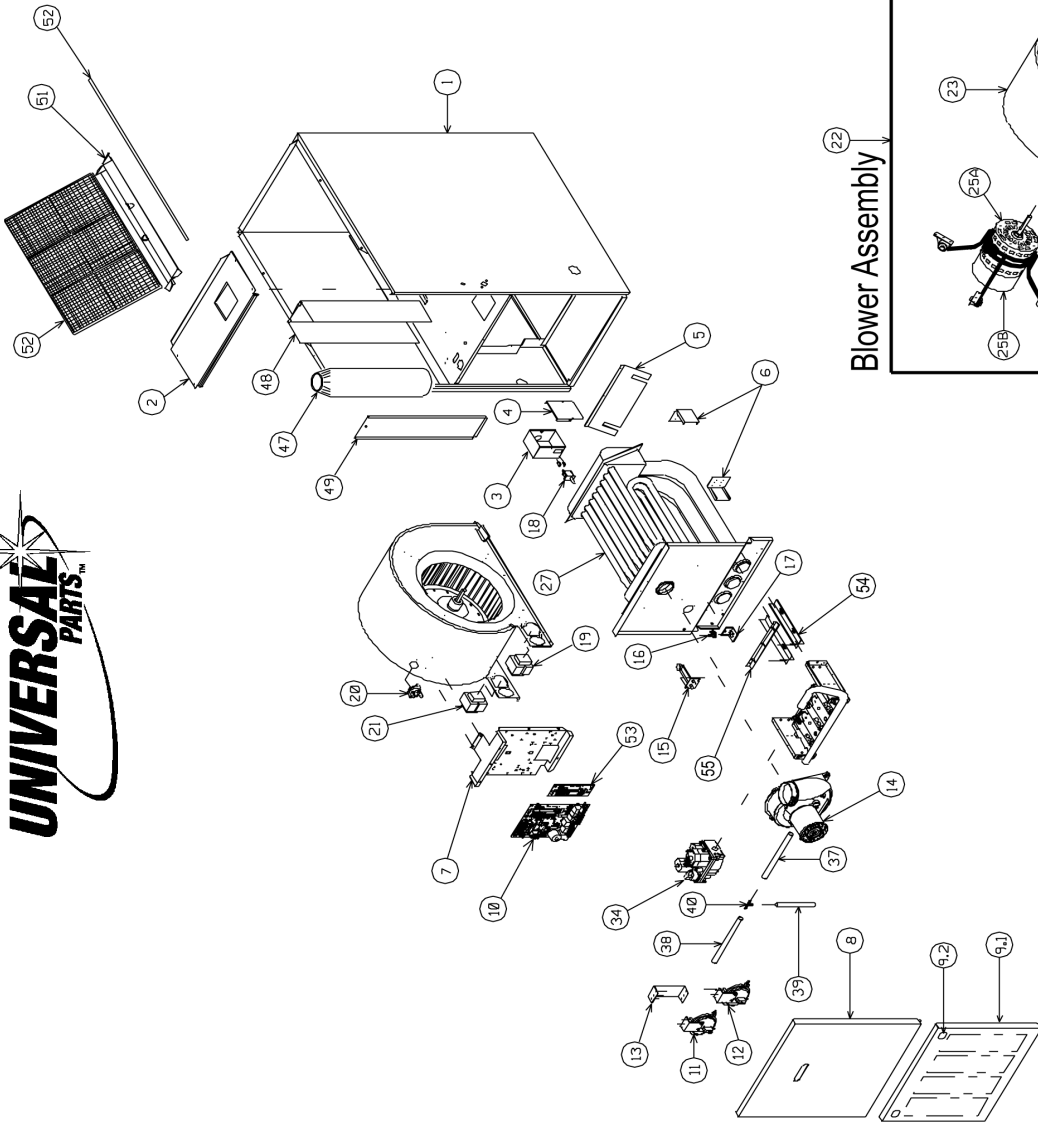
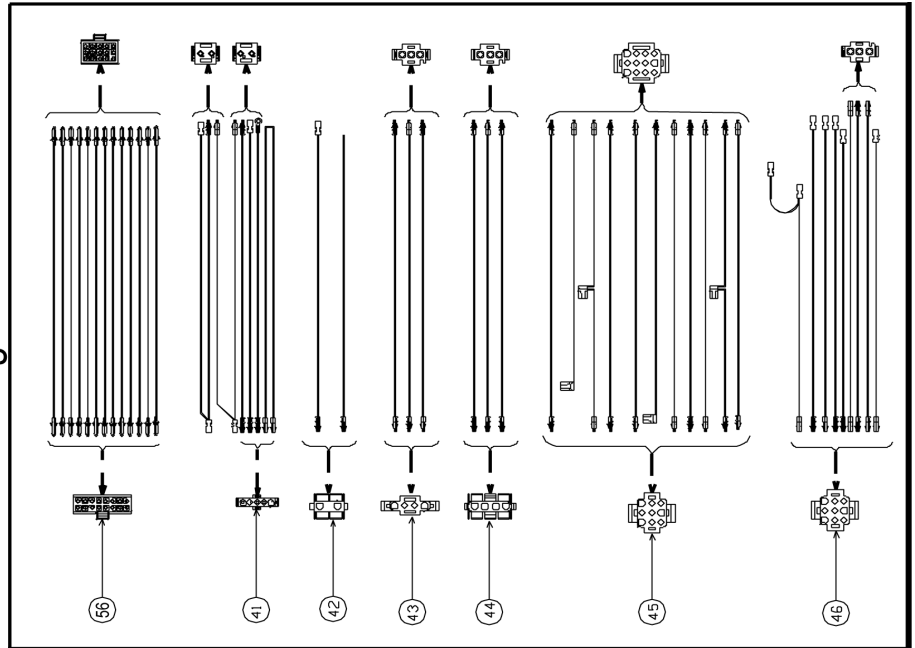
- E Special Area Requirement -
0 = No Area Requirement
- F Motor Horsepower:
2 - 1/2 HP Motor
7 - 3/4 HP Motor
- G Plant - F = Fort Smith, AR
- H Week
- I Year
- J Production Number:
Starts with 00001 & runs through
99999, then starts with 00001 again.



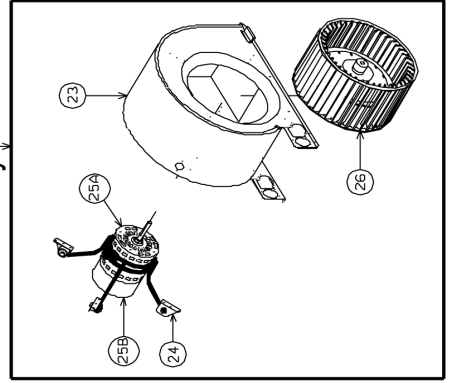
Burner Tray and Ignitor

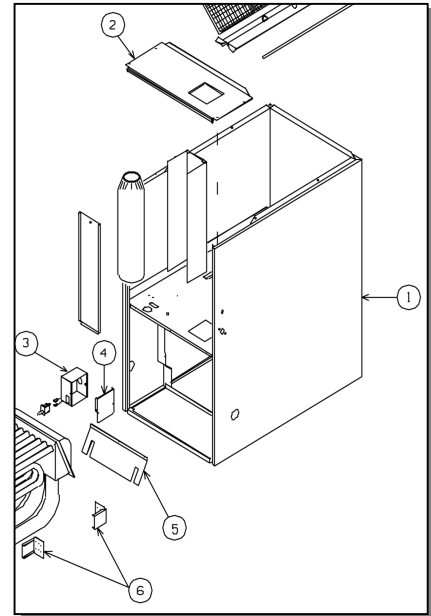
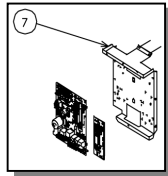
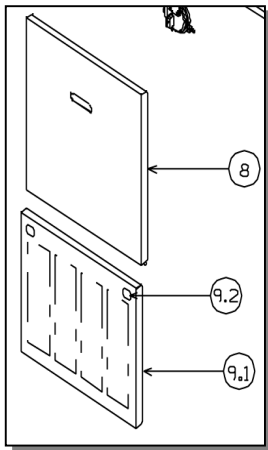


Wiring Harness



Blower Assembly

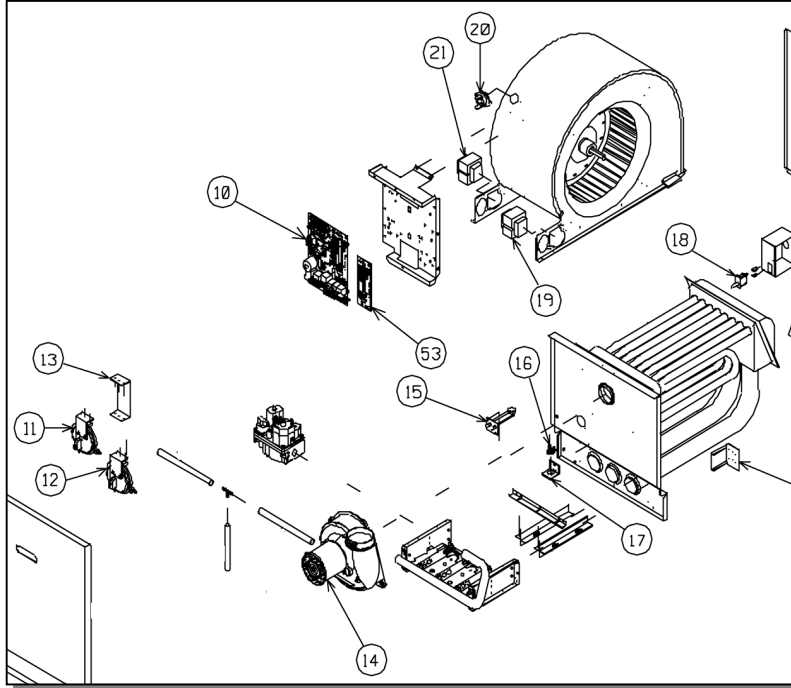




N	MODEL	N	[-]GLL	[-]GLL	[-]GLL	[-]GLL	[-]GLL
O.	HEAT CAPACITY INPUT VARIATIONS	O	-05	-07	-07	-10	-12
	BLOWER DESIGNATION	T	B	B	B	B	A
	HEAT & COOL DESIGN.	E	M	R	R	R	R
			K	K	Q	M	M

Quantities Used On The Unit Are Listed In ().

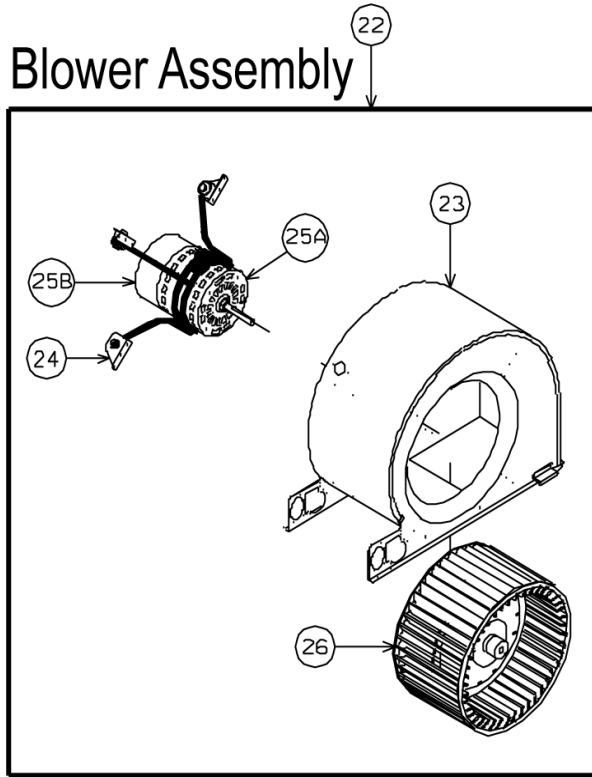
Panels and Sheet Metal Parts							
1	Jacket		AS-66991-22	AS-66991-23	AS-66991-23	AS-66991-23	AS-66991-24
2	Top Plate		AE-66981-02	AE-66981-03	AE-66981-03	AE-66981-03	AE-66981-04
3	Junction Box		AE-61475-02	AE-61475-02	AE-61475-02	AE-61475-02	AE-61475-02
4	Junction Cover		AE-61476-02	AE-61476-02	AE-61476-02	AE-61476-02	AE-61476-02
5	Baffle - Rear		AE-66994-05	AE-66994-02	AE-66994-02	AE-66994-02	AE-66994-04
6	Heat Exchanger Bracket (2)		AE-67846-02	AE-67846-02	AE-67846-02	AE-67846-02	AE-67846-02
7	Mounting Plate/Control Box Less Components		AE-67877-01	AE-67877-01	AE-67877-01	AE-67877-01	AE-67877-01
8	Blower Door/Filter Door with sight glass		AS-67894-01	AS-67895-01	AS-67895-01	AS-67895-01	AS-67896-01
9.1	Control Compartment Door Without Plug Buttons		AE-61676-01	AE-61677-01	AE-61677-01	AE-61677-01	AE-61678-01
9.2	Plug Buttons (2)		45-22980-01	45-22980-01	45-22980-01	45-22980-01	45-22980-01



N	MODEL	N	[-]GLL	[-]GLL	[-]GLL	[-]GLL	[-]GLL
O.	HEAT CAPACITY INPUT VARIATIONS	O	-05	-07	-07	-10	-12
		T	B	B	B	B	A
	BLOWER DESIGNATION	E	M	R	R	R	R
	HEAT & COOL DESIGN.		K	K	Q	M	M

Quantities Used On The Unit Are Listed In ().

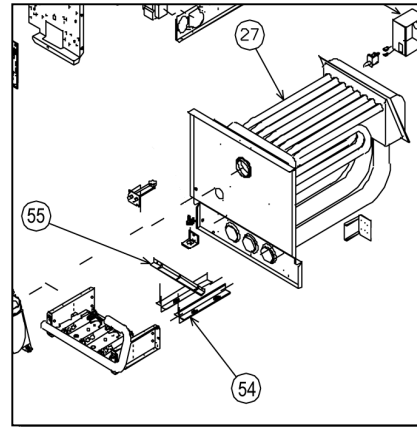
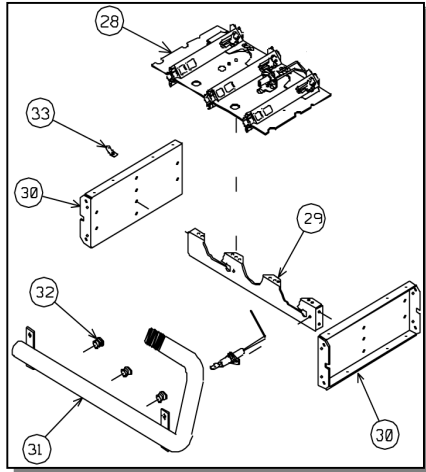
ELECTRIC GROUP							
10	Integrated Furnace Control - Two Stage Direct Spark Ignitor Serial Gas Code - FC	stk	62-24320-02	62-24320-02	62-24320-02	62-24320-02	62-24320-02
53	Interface Control		62-24340-01	62-24340-01	62-24340-01	62-24340-01	62-24340-01
11	High Pressure Switch	new	42-24064-01	42-24064-01	42-24064-01	42-24064-01	42-24064-02
12	Low Pressure Switch	stk	42-24064-85	42-24064-85	42-24064-85	42-24064-85	42-23648-08
13	Pressure Switch Bracket- for plastic mounting		AE-61981-01	AE-61981-01	AE-61981-01	AE-61981-01	AE-61981-01
14	Induced Draft Blower Motor - With Gasket	new	70-24324-02	70-24324-02	70-24324-02	70-24324-02	70-24324-02
np	Induced Draft Blower Gasket	stk	68-22850-01	68-22850-01	68-22850-01	68-22850-01	68-22850-01
15	Main Limit - Includes gasket	new	47-25351-07	47-25351-05	47-25351-05	47-25351-07	47-25351-05
16	Overtemperature Switch - Manual Reset Limit:	stk	47-22861-01	47-22861-01	47-22861-01	47-22861-01	47-22861-01
17	Overtemperature Switch Bracket		AE-61600-02	AE-61600-02	AE-61600-02	AE-61600-02	AE-61600-02
18	Door Switch/Push Button	stk	42-22692-04	42-22692-04	42-22692-04	42-22692-04	42-22692-04
19	Transformer	stk	46-22863-04	46-22863-04	46-22863-04	46-22863-04	46-22863-04
20	Auxiliary Limit - Limit Control With Heater	stk	47-22860-06	47-22860-06	47-22860-06	47-22860-06	47-22860-06
21	Power Factor Choke	stk	46-24256-02	46-24256-02	46-24256-02	46-24256-02	46-24256-02



N	MODEL	N	[-]GLL	[-]GLL	[-]GLL	[-]GLL	[-]GLL
O.	HEAT CAPACITY INPUT VARIATIONS	O	-05	-07	-07	-10	-12
T		T	B	B	B	B	A
E	BLOWER DESIGNATION	E	M	R	R	R	R
	HEAT & COOL DESIGN.		K	K	Q	M	M

Quantities Used On The Unit Are Listed In ().

BLOWER GROUP							
22	Blower Assembly Includes:		AS-67876-10	AS-67876-11	AS-67876-12	AS-67876-13	AS-61697-14
23	Housing		AS-61674-21	AS-61674-06	AS-61674-06	AS-61674-0	AS-61674-06
24	Motor Support Kit for ICM Motor	stk	70-24104-82	70-24104-82	70-24104-82	70-24104-82	70-24104-82
25A	Motor:						
	1/2 HP	stk		51-24259-09			
	3/4 HP	stk	51-24270-06		51-24270-07		
	1 HP	stk				51-24260-12	51-24260-13
25B	Motor Modules	stk	51-24304-86	51-24302-89	51-24304-87	51-24303-92	51-24303-93
26	Blower Wheel:						
	11x7, CW, 1/2" Bore	stk	70-24254-02				
	11x10, CW, 1/2" Bore	stk		70-23111-20	70-23111-20	70-23111-20	70-23111-20



HEAT EXCHANGER / BURNER / MANIFOLD GROUP

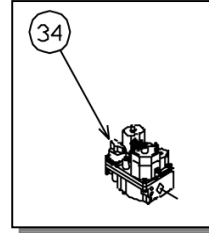
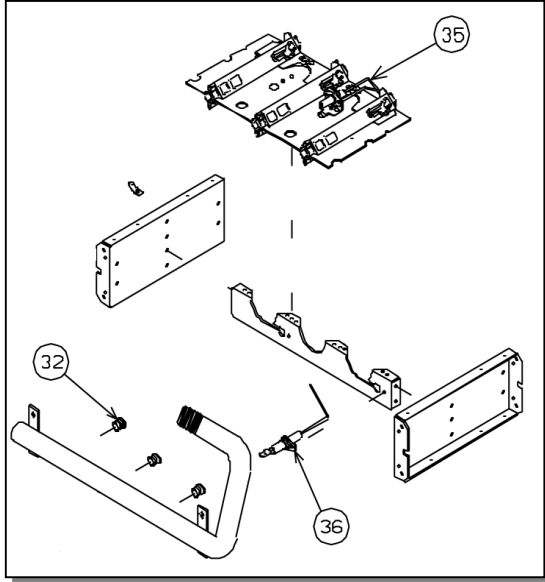
Quantities Used On The Unit Are Listed In ().

N MODEL	N	[-]GLL	[-]GLL	[-]GLL	[-]GLL	[-]GLL		
O. HEAT CAPACITY INPUT VARIATIONS	O	-05E	-07E	-07E	-10E	-12E		
BLOWER DESIGNATION	T	B	B	B	B	A		
HEAT & COOL DESIGN.	E	M	R	R	R	R		
		K	K	Q	M	M		
27 Heat Exchanger Assembly		AS-66997-09	AS-66997-10	AS-66997-10	AS-66997-04	AS-66997-05		
28 Burner Tube Assembly		AS-60993-02	AS-60993-03	AS-60993-03	AS-60993-04	AS-60993-05		
29 Burner Support		AE-60997-01	AE-60997-02	AE-60997-02	AE-60997-03	AE-60997-04		
30 Burner Support Bracket (2)		AE-61588-02	AE-61588-02	AE-61588-02	AE-61588-02	AE-61588-02		
31 Manifold Without Orifices		AS-61663-01	AS-61663-02	AS-61663-02	AS-61663-03	AS-61663-04		
32 Orifice Spud	stk	62-22175-42 (2)	62-22175-42 (3)	62-22175-42 (3)	62-22175-42 (4)	62-22175-42 (5)		
33 Terminal Grounding		45-24315-01	45-24315-01	45-24315-01	45-24315-01	45-24315-01		

N MODEL	N	[-]GLL	[-]GLL	[-]GLL	[-]GLL	[-]GLL		
O. HEAT CAPACITY INPUT VARIATIONS	O	-05N	-07N	-07N	-10N	-12N		
BLOWER DESIGNATION	T	B	B	B	B	A		
HEAT & COOL DESIGN.	E	M	R	R	R	R		
		K	K	Q	M	M		
27 Heat Exchanger Assembly		AS-66997-20	AS-66997-21	AS-66997-21	AS-66997-17	AS-66997-18		
28 Burner Tube Assembly		AS-60993-02	AS-60993-03	AS-60993-03	AS-60993-04	AS-60993-05		
29 Burner Support		AE-60997-01	AE-60997-02	AE-60997-02	AE-60997-03	AE-60997-04		
30 Burner Support Bracket (2)		AE-61588-02	AE-61588-02	AE-61588-02	AE-61588-02	AE-61588-02		
31 Manifold Without Orifices		AS-61663-01	AS-61663-02	AS-61663-02	AS-61663-03	AS-61663-04		
32 Orifice Spud	stk	62-22175-42 (2)	62-22175-42 (3)	62-22175-42 (3)	62-22175-42 (4)	62-22175-42 (5)		
33 Terminal Grounding		45-24315-01	45-24315-01	45-24315-01	45-24315-01	45-24315-01		

NOx Burner Inserts

54 NOx Burner Inserts		AS-67875-01	AS-67875-01	AS-67875-01	AS-67875-01	AS-67875-01		
55 NOx Burner Insert Retainer		AE-67872-01	AE-67872-02	AE-67872-02	AE-67872-03	AE-67872-04		

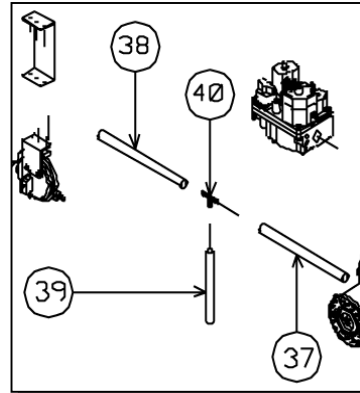
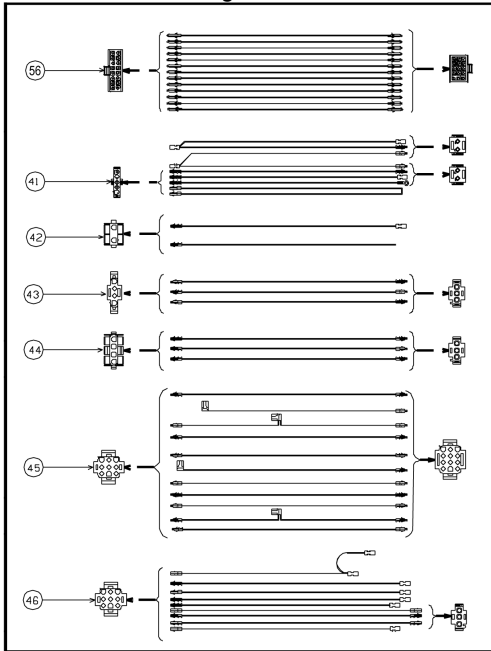


N	MODEL	N	[-]GLL	[-]GLL	[-]GLL	[-]GLL	[-]GLL
O.	HEAT CAPACITY INPUT VARIATIONS	O	-05	-07	-07	-10	-12
		T	B	B	B	B	A
	BLOWER DESIGNATION	E	M	R	R	R	R
	HEAT & COOL DESIGN.		K	K	Q	M	M

Quantities Used On The Unit Are Listed In ().

WHITE RODGERS GAS CONTROLS - SERIAL CONTROL CODE - FC							
34	Gas Valve (W-R #36E99-201) Natural	new	60-23490-08	60-23490-08	60-23490-08	60-23490-08	60-23490-08
35	Ignitor/Dir. Spark	stk	62-24164-01	62-24164-01	62-24164-01	62-24164-01	62-24164-01
	Ignitor/Dir. Spark - Bracket		AE-61885-02	AE-61885-02	AE-61885-02	AE-61885-02	AE-61885-02
36	Remote Sensor	stk	62-23543-01	62-23543-01	62-23543-01	62-23543-01	62-23543-01
LP / PROPANE CONVERSION KIT							
U.S. Models		stk	FP-09	FP-09	FP-09	FP-09	FP-09
34	Gas Valve - Propane - White-Rodges 2 Stage	1	60-23490-07	60-23490-07	60-23490-07	60-23490-07	60-23490-07
32	Burner Orifice - LP	1	62-22175-54 (2)	62-22175-54 (3)	62-22175-54 (3)	62-22175-54 (4)	62-22175-54 (5)
Canadian Models - 0-4500' Elevation		stk	FP-10	FP-10	FP-10	FP-10	FP-10
34	Gas Valve - Propane - White-Rodges 2 Stage	1	60-23490-07	60-23490-07	60-23490-07	60-23490-07	60-23490-07
32	Burner Orifice - Propane 0-1999' Elevation	1	62-22175-54 (2)	62-22175-54 (3)	62-22175-54 (3)	62-22175-54 (4)	62-22175-54 (5)
	2000 - 4500' Elevation	1	62-22175-55 (2)	62-22175-55 (3)	62-22175-55 (3)	62-22175-55 (4)	62-22175-55 (5)

Wiring Harness

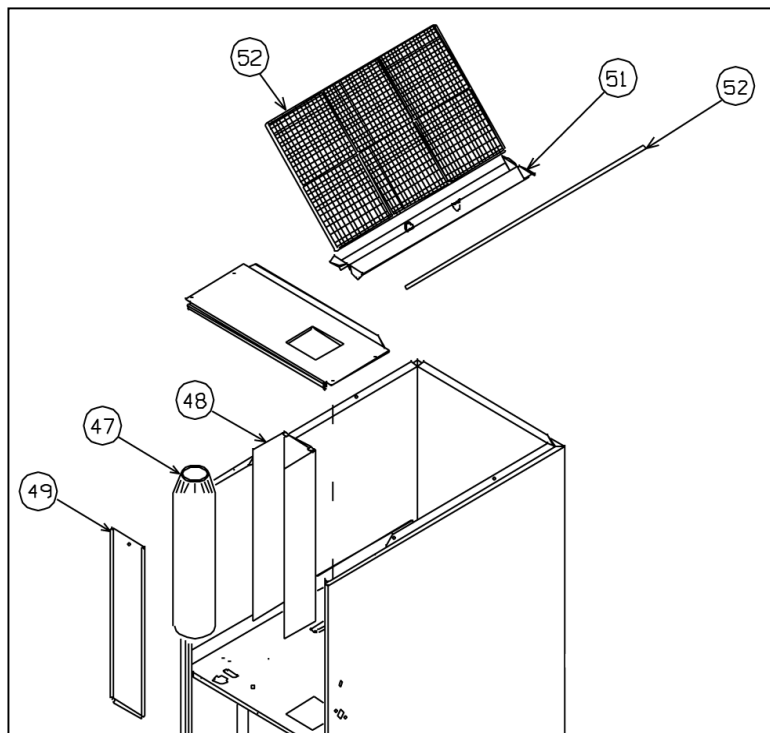


N	MODEL	N	[-]GLL	[-]GLL	[-]GLL	[-]GLL	[-]GLL
O.	HEAT CAPACITY INPUT VARIATIONS	O	-05	-07	-07	-10	-12
	BLOWER DESIGNATION	T	B	B	B	B	A
	HEAT & COOL DESIGN.	E	M	R	R	R	R
			K	K	Q	M	M

Quantities Used On The Unit Are Listed In ().

MISCELLANEOUS - TUBING AND WIRING ASSEMBLIES

Silicone Rubber Tubing:									
37	From Induced Draft Blower to Tee Barbed.	cr	79-21491-83	79-21491-83	79-21491-83	79-21491-83	79-21491-83		
38	From Tee Barbed to High Pressure Switch	cr	79-21491-83	79-21491-83	79-21491-83	79-21491-83	79-21491-83		
39	From Tee Barbed to Low Pressure Switch	cr	79-21491-83	79-21491-83	79-21491-83	79-21491-83	79-21491-83		
40	Tee Barbed	new	79-22461-02	79-22461-02	79-22461-02	79-22461-02	79-22461-02		
Wiring Assemblies - See Picture To Match Assembly (Descriptions were written using the wiring diagram.)									
56	From Control Board to Motor		45-24258-08	45-24258-08	45-24258-08	45-24258-08	45-24258-08		
41	From Control Board To 2-Pin Connector P-6 - To Motor To P9	new	AS-61997-42	AS-61997-42	AS-61997-42	AS-61997-42	AS-61997-42		
42	From 2-Pin Connector P-6 To J-Box	new	AS-61998-15	AS-61998-15	AS-61998-15	AS-61998-15	AS-61998-15		
43	From Control Board To Blower	new	AS-61997-16	AS-61997-16	AS-61997-16	AS-61997-16	AS-61997-16		
44	From Blower Shelf To Draft Blower	new	AS-61998-16	AS-61998-16	AS-61998-16	AS-61998-16	AS-61998-16		
45	From Control Board To Blower Shelf	new	AS-61997-15	AS-61997-15	AS-61997-15	AS-61997-15	AS-61997-15		
46	From Blower Shelf To Gas Valve, Pressure Switches, Main Limit, Rollout Switch & Flame Sensor	new	AS-61998-17	AS-61998-17	AS-61998-17	AS-61998-17	AS-61998-17		



N	MODEL	N	[-]GLL	[-]GLL	[-]GLL	[-]GLL	[-]GLL
O.	HEAT CAPACITY INPUT	O	-05	-07	-07	-10	-12
	VARIATIONS	T	B	B	B	B	A
	BLOWER DESIGNATION	E	M	R	R	R	R
	HEAT & COOL DESIGN.		K	K	Q	M	M

Quantities Used On The Unit Are Listed In ().

MISCELLANEOUS -(Continued) FLUE PIPE AND FILTER COMPONENTS

Flue Pipe Pieces								
47	Flue Pipe 3 " Dia.		AE-66691-14	AE-66691-14	AE-66691-14	AE-66691-14	AE-66691-14	
48	Flue Pipe Enclosure		AE-66982-01	AE-66982-01	AE-66982-01	AE-66982-01	AE-66982-01	
49	Flue Pipe Enclosure Door		AE-66983-01	AE-66983-01	AE-66983-01	AE-66983-01	AE-66983-01	
Filter and Support Pieces								
51	Filter Rack		AE-66681-01	AE-66681-01	AE-66681-01	AE-66681-01	AE-66681-01	
52	Filter - Permanent	stk	54-22699-01 (1)	54-22699-01 (2)	54-22699-01 (2)	54-22699-01 (2)	54-22699-02 (2)	

