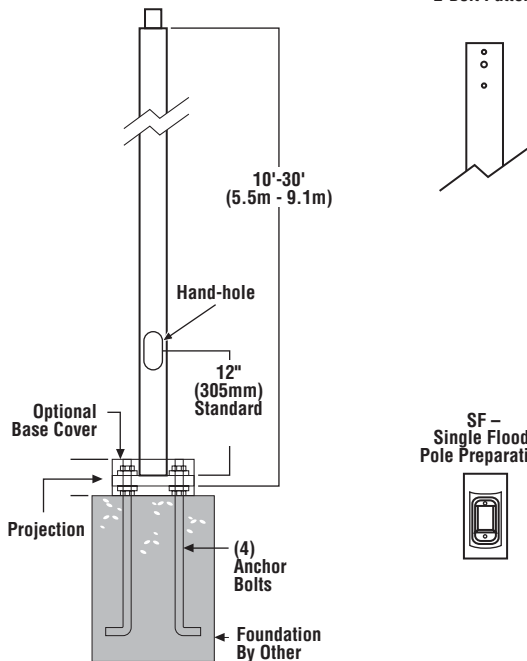


STEEL ROUND POLES

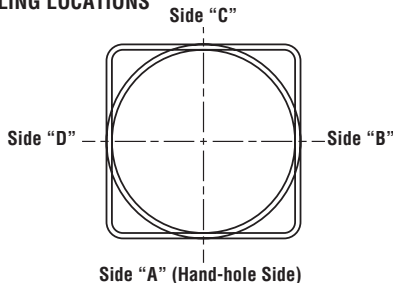
DIMENSIONS

RPN -
 N= 2-3/8" (60mm) O.D. x 4-3/4" (121mm) Tall Tenon
 4N= 4" (102mm) O.D. x 4-7/8" (124mm) Tall Tenon

RPB3, RPB5 -
 Bolt-On Mount,
 2-Bolt Pattern



DRILLING LOCATIONS



Sides	A	B	C	D
Hand-hole	X			
Single	X			
D180°		X		X
D90°	X			X
T90°	X	X		X
TN120°*	X			
Q90°	X	X	X	X
Single FBO	X			
Double FBO		X		X

*Other two locations will be 120° to the left and right of Side A.

Note: Consult factory for custom variations. Standard SF and DF pole preparations are located 3/4 of the height of the pole from the base, unless otherwise specified.

SHIPPING WEIGHTS - Steel Round Poles

4" (102mm) Dia. 10 Ga. is approximately	6.0 lbs./ft.
5" (127mm) Dia. 11 Ga. is approximately	7.0 lbs./ft.
5" (127mm) Dia. 07 Ga. is approximately	10.0 lbs./ft.
Anchor Bolts (3/4" x 30") (19mm x 762mm)	15 lbs. (7kg)/set
Anchor Bolts (1" x 36") (125mm x 914mm)	30 lbs. (14kg)/set

POLE SHAFT - Pole shaft is electro-welded ASTM-A500 Grade C steel tubing with a minimum yield strength of 46,000 psi. On Tenon Mount steel poles, tenon is high-strength pipe. Tenon N option is 2-3/8" O.D. x 4-3/4" tall. Tenon 4N option is 4" O.D. x 4-7/8" tall. Steel round poles are 4" and 5" in diameter.

HAND-HOLE - Standard hand-hole location is 12" above pole base. Poles 18' and above have a 3" x 6" reinforced hand-hole. Shorter poles have 2" x 4" non-reinforced hand-hole.

BASE - Pole base is ASTM-A36 hot-rolled steel plate with a minimum yield strength of 36,000 psi. Two-piece square base cover is optional.

BASE COVERS - Optional two-piece decorative die-cast aluminum (GBC) base covers or square two-piece aluminum base covers are available.

ANCHOR BOLTS - Poles are furnished with anchor bolts featuring zinc-plated double nuts and washers. Galvanized anchor bolts are optional. Anchor bolts conform to ASTM F 1554-07a Grade 55 with a minimum yield strength of 55,000 psi.

GROUND LUG - Ground lug is standard.

DUPLEX RECEPTACLE - Weatherproof duplex receptacle is optional.

GROUND FAULT CIRCUIT INTERRUPTER - Self-testing ground fault circuit interrupter is optional.

FINISHES - Each pole is finished with DuraGrip®, LSI's baked-on polyester-powder finishing process which electrostatically applies and fuses a polyester powder to the pole. Provides an extremely smooth and uniform finish to withstand extreme weather changes without cracking or peeling, and features a five-year limited warranty. Optional DuraGrip® Plus features the added protection of a 3.0 to 5.0 mil thickness of polyester-powder finish plus an inner coating, as well as a seven-year limited warranty.

DETERMINING THE LUMINAIRE/POLE COMBINATION FOR YOUR APPLICATION:

- Select luminaire from luminaire ordering information
- Select bracket configuration if required
- Determine EPA value from luminaire/bracket EPA chart
- Select pole height
- Select MPH to match wind speed in the application area (See windspeed map).
- Confirm pole EPA equal to or exceeding value from note above
- Consult factory for special wind load requirements and banner brackets

POLE SELECTION CHART: 4" (102mm) and 5" (127mm) steel round poles

Height	EPA [†]				Outside Dimensions	Material	Bolt Circle
	70 MPH	80 MPH	90 MPH	100 MPH			
10' (3.0m)	18.5	13.8	10.6	8.2	4" (102mm)	S10G	L
12' (3.7m)	14.6	10.7	8.0	6.1	4" (102mm)	S10G	L
14' (4.3m)	11.7	8.4	6.1	4.5	4" (102mm)	S10G	L
16' (4.9m)	9.9	6.9	4.9	3.4	4" (102mm)	S10G	L
16' (4.9m)	18.6	13.4	9.8	7.3	5" (127mm)	S11G	L
16' (4.9m)	32.2	23.2	17.0	12.6	5" (127mm)	S07G	M
18' (5.5m)	15.5	11.1	8.0	5.8	4" (102mm)	S10G	L
18' (5.5m)	24.2	17.5	12.9	9.6	5" (127mm)	S11G	L
18' (5.5m)	37.5	27.7	20.9	16.1	5" (127mm)	S07G	M
20' (6.1m)	12.5	8.7	6.1	4.2	4" (102mm)	S10G	L
20' (6.1m)	20.0	14.2	10.2	7.4	5" (127mm)	S11G	L
20' (6.1m)	31.7	23.1	17.3	13.1	5" (127mm)	S07G	M
22' (6.7m)	10.0	6.7	4.4	2.8	4" (102mm)	S10G	L
22' (6.7m)	16.6	11.5	8.0	5.5	5" (127mm)	S11G	L
22' (6.7m)	26.9	19.4	14.2	10.5	5" (127mm)	S07G	M
24' (7.3m)	7.8	4.9	3.0	1.5	4" (102mm)	S10G	L
24' (7.3m)	13.6	9.1	6.0	3.8	5" (127mm)	S11G	L
24' (7.3m)	22.9	16.2	11.6	8.3	5" (127mm)	S07G	M
26' (7.9m)	11.1	7.1	4.3	2.3	5" (127mm)	S11G	L
26' (7.9m)	19.5	13.5	9.4	6.4	5" (127mm)	S07G	M
28' (8.5m)	16.5	11.1	7.4	4.7	5" (127mm)	S07G	M
30' (9.1m)	13.8	8.9	5.6	3.2	5" (127mm)	S07G	M

[†] EPA based on ANSI/ASCE 7-93. Refer to EPA information on next page. For applications in Canada and areas using code requirements other than ANSI/ASCE 7-93 and for banner brackets, consult factory. If luminaire weight exceeds 250 lbs. (113.4 kg), consult factory.

ARRA
 Funding Compliant

Project Name _____ Fixture Type _____
 Catalog # _____

11/11/15

© 2015
 LSI INDUSTRIES INC.

STEEL ROUND POLES

POLE ORDERING INFORMATION

TYPICAL ORDER EXAMPLE: **5RPB5 S07G 24 S PLP SF DGP**

Pole Series	Material	Height ⁴	Mounting Configuration	Pole Finish	Options
Bolt-On Mount¹ - See pole selection guide for patterns and fixture matches. 4RPB3 - 3" Reduced Drilling Pattern 5RPB3 - 3" Reduced Drilling Pattern 4RPB5 - 5" Traditional Drilling Pattern 5RPB5 - 5" Traditional Drilling Pattern	S11G – 11 Ga. Steel S10G – 10 Ga. Steel ³ S07G – 07 Ga. Steel	10' 12' 14' 16' 18' 20' 22' 24' 26' 28' 30'	S – Single/Parallel D180° – Double D90° – Double DN90° – Double T90° – Triple TN120° – Triple Q90° – Quad N – Tenon Mount 4N – Tenon Mount (Available with 5RPN only. For 4" poles, use 4RPSF below) ²	BRZ – Bronze BLK – Black PLP – Platinum Plus WHT – White SVG – Satin Verde Green GPT – Graphite MSV – Metallic Silver	GA – Galvanized Anchor Bolts SF – Single Flood ⁵ DF – Double Flood ⁵ DGP – DuraGrip [®] Plus LAB – Less Anchor Bolts OSXX – Pole preparation for PMOS Occupancy Sensor ⁶
Tenon Mount - See pole selection guide for tenon and fixture/bracket matches. 4RPN 5RPN					
Greenlee Slipfit - Use with: • Greenlee Lifestyle CH mounting styles • Constitution, Enterprise & Lexington PT Single mounting styles ² 4RPSF	Consult Pole Selection Chart on opposite page				
Greenlee Universal Bracket¹ (No Drilling) - Use with: • Lifestyle UCLS • Lifestyle UCLD180 4RPI 5RPI					

Standard SF and DF pole preparations are located 3/4 of the height of the pole from the base, unless otherwise specified.

ACCESSORY ORDERING INFORMATION

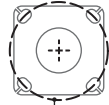
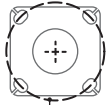
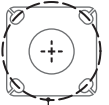
(Accessories are field installed)

Description	Order Number	Description	Order Number
4" SRBC Square Base Cover	158450CLR	GFI – Ground Fault Circuit Interrupter for Reinforced Hand-hole (Poles 18' and above)	122567CLR
5" SRBC Square Base Cover	158451CLR	MHD – Mounting Hole Weatherproof Decal	340120
4" /5" GBC Decorative Base Cover	483859CLR	BB - Banner Brackets	Consult Factory for EPA calculations
ER2 – Weatherproof Duplex Receptacle (Poles below 18')	122557CLR	PMOS120 - 120V Occupancy Sensor	518030CLR ⁷
ER2 – Weatherproof Duplex Receptacle for Reinforced Hand-hole (Poles 18' and above)	122566CLR	PMOS208/240 - 208, 240V Occupancy Sensor	534239CLR ⁷
GFI – Ground Fault Circuit Interrupter (Poles below 18')	122558CLR	PMOS277 - 277V Occupancy Sensor	518029CLR ⁷
		PMOS480 - 480V Occupancy Sensor	534240CLR ⁷

FOOTNOTES:

- Standard flat black pole cap provided. Domed Greenlee pole cap will ship with SA4 and SA5 Constitution, Enterprise, and Lexington fixtures, SA Lifestyle fixtures, BK SPT BO, BK MPT BO and UCL brackets.
- For Constitution, Enterprise, and Lexington D180 or other mounting configuration styles using BK SPT BO and BK MPT BO accessories, see chart on Bolt-on Mount 4RPB3 / 5RPB3 DRILLING PATTERN section on pole selection chart.
- 4" poles are available in S10G only. 5" poles available in S11G and S07G only.
- Pole heights will have +/- 1/2" tolerance.
- See Flood Lighting Brackets section for choice of FBO brackets.
- Order PMOS separately. Change "XX" to indicate height and side of pole location for pole preparation. EX: OS18A indicates preparation is to be 18ft. up from pole base on side A. Optimal distance from ground to sensor is 20ft.
- OSXX option required. Not for use with Metal Halide fixtures.

BOLT CIRCLE

	4" (102mm) Round 10-1/8" (257mm) sq.	5" (127mm) Round 10-1/8" (257mm) sq.	5" (127mm) Round 10-1/8" (257mm) sq.
			
	11" (279mm) Dia. Bolt Circle	11" (279mm) Dia. Bolt Circle	11" (279mm) Dia. Bolt Circle
	L	L	M
Bolt Circle	Slotted 11" (279mm)	Slotted 11" (279mm)	Slotted 11" (279mm)
Anchor Bolt Size	3/4" x 30" (19mm x 762mm)	3/4" x 30" (19mm x 762mm)	1" x 36" (25mm x 914mm)
Anchor Bolt Projection	3-1/4" (83mm)	3-1/4" (83mm)	4" (102mm)
Base Plate Opening for Wireway Entry	3-5/8" (92mm)	4-3/4" (121mm)	4-5/8" (117mm)
Base Plate Dimensions	10-1/8" sq. x 3/4" thk. (257mm x 19mm)	10-1/8" sq. x 3/4" thk. (257mm x 19mm)	10-1/8" sq. x 1" thk. (257mm x 25mm)

Note: Base plate illustrations may change without notice. Do not use for setting anchor bolts. Consult factory for the base plate templates.

EPA INFORMATION

All LSI Industries' poles are guaranteed to meet the EPA requirements listed. LSI Industries is not responsible if a pole order has a lower EPA rating than the indicated wind-loading zone where the pole will be located.
CAUTION: This guarantee does not apply if the pole/bracket/fixture combination is used to support any other items such as flags, pennants, or signs, which would add stress to the pole. LSI Industries cannot accept responsibility for harm or damage caused in these situations.

NOTE: Pole calculations include a 1.3 gust factor over steady wind velocity. Example: poles designed to withstand 80 MPH steady wind will withstand gusts to 104 MPH. EPAs are for locations 100 miles away from hurricane ocean lines. Consult LSI for other areas. Note: Hurricane ocean lines are the Atlantic and Gulf of Mexico coastal areas. For applications in Florida or Canada, consult factory.

Project Name _____ Fixture Type _____

Catalog # _____

10/22/15

© 2015
LSI INDUSTRIES INC.