

**Ch. 10 Test – Part I**  
**(Measurement)**

Answer each of the following questions by showing all of your work. Answers without work will not be accepted. **NO WORK, NO POINTS. Good luck!**

1. **Perform** the following conversions. Show work as always. (7 points each)

(a) 40 cups to gallons

(b) 0.72 cubic meters to cubic centimeters

(c) 1.35 liters to cubic centimeters

1. (cont'd) Perform the following conversions. Show work as always. (7 points each)

(d) 1 quart to cubic inches (use 1 gallon = 231 cubic inches)

2. A 24-kilogram bag of birdseed is priced at \$16.88. If 75 grams of this feed is put in a bird feeder each day, (14 points)

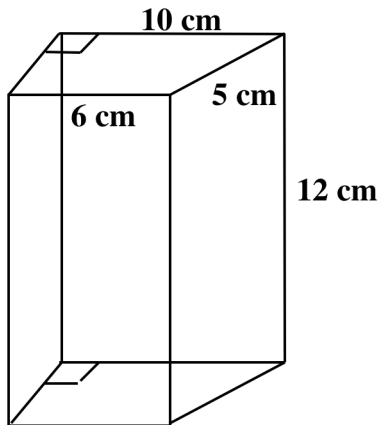
(a) **how many days** will it be before the bag of seed is empty?

(b) **how much** (rounded to the nearest penny) does it cost to feed the birds each day?

**Ch. 10 Test – Part II**

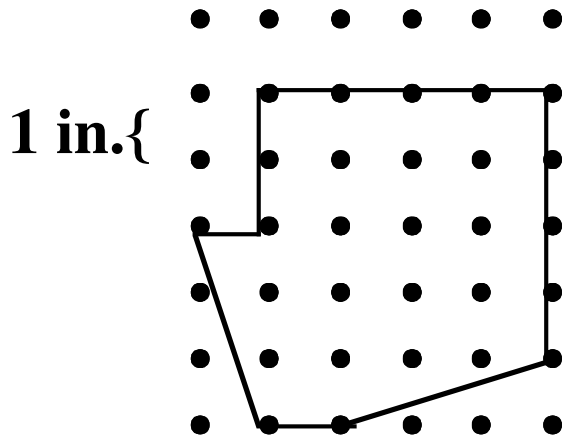
Answer each of the following questions by showing all of your work. Answers without work will not be accepted. **NO WORK, NO POINTS. Good luck!**

3. Find the **surface area** and **volume** of the right trapezoidal prism shown in below: (16 pts)



4. Determine if each of the following is **true or false**. If false, explain why. (10 points)
- (a) If two polygons have the same area, then their perimeters are also equal.
  
  
  
  
  
  
  
  
  
  
  - (b) The circumference of a circle is approximately 3 times the radius of the circle.
  
  
  
  
  
  
  
  
  
  
  - (c) The volume of any prism, right or oblique, is the area of its base face times its height.

4. Find the **perimeter** and **area** of the figure shown below. Answer in exact form; do not approximate. (16 points)



5. Find the **surface area** and **volume** of a right square pyramid whose base has sides of length 12 m and whose slant height is 10 m (on all four faces). (16 points)