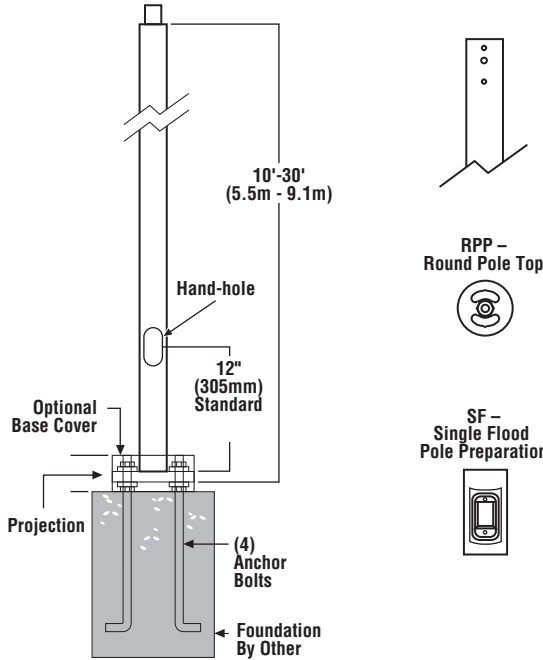


STEEL ROUND POLES

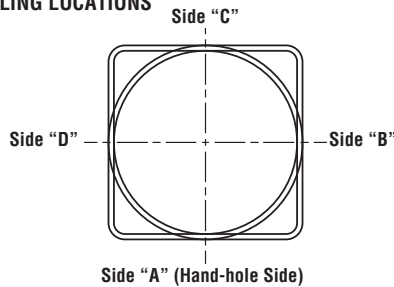
DIMENSIONS

RPN -
N= 2-3/8"(60mm) O.D. x 4-3/4"(121mm) Tall Tenon
4N= 4"(102mm) O.D. x 4-7/8"(124mm) Tall Tenon

RPB3, RPB5 -
Bolt-On Mount,
2-Bolt Pattern



DRILLING LOCATIONS



Sides	A	B	C	D
Hand-hole	X			
Single	X			
D180°		X		X
D90°	X			X
T90°	X	X		X
TN120°*	X			X
Q90°	X	X	X	X
Single FBO	X			
Double FBO		X		X

* Other two locations will be 120° to the left and right of Side A.

Note: Consult factory for custom variations. Standard SF and DF pole preparations are located 3/4 of the height of the pole from the base, unless otherwise specified.

SHIPPING WEIGHTS - Steel Round Poles

4"(102mm) Dia. 10 Ga. is approximately	6.0 lbs./ft.
5"(127mm) Dia. 11 Ga. is approximately	7.0 lbs./ft.
5"(127mm) Dia. 07 Ga. is approximately	10.0 lbs./ft.
Anchor Bolts (3/4" x 30")(19mm x 762mm)	15 lbs.(7kg)/set
Anchor Bolts (1" x 36")(125mm x 914mm)	30 lbs.(14kg)/set

POLE SHAFT - Pole shaft is electro-welded ASTM-A500 Grade C steel tubing with a minimum yield strength of 46,000 psi. On Tenon Mount steel poles, tenon is high-strength pipe. Tenon N option is 2-3/8" O.D. x 4-3/4" tall. Tenon 4N option is 4" O.D. x 4-7/8" tall. Steel round poles are 4" and 5" in diameter.

HAND-HOLE - Standard hand-hole location is 12" above pole base. Poles 18' and above have a 3" x 6" reinforced hand-hole. Shorter poles have 2" x 4" non-reinforced hand-hole.

BASE - Pole base is ASTM-A36 hot-rolled steel plate with a minimum yield strength of 36,000 psi. Two-piece square base cover is optional.

BASE COVERS- Optional two-piece decorative die-cast aluminum (GBC) base covers or square two-piece aluminum base covers are available.

ANCHOR BOLTS - Poles are furnished with anchor bolts featuring zinc-plated double nuts and washers. Galvanized anchor bolts are optional. Anchor bolts conform to ASTM F 1554-07a Grade 55 with a minimum yield strength of 55,000 psi.

GROUND LUG - Ground lug is standard.

DUPLEX RECEPTACLE - Weatherproof duplex receptacle is optional.

GROUND FAULT CIRCUIT INTERRUPTER - Ground fault circuit interrupter is optional.

FINISHES - Each pole is finished with DuraGrip®, LSI's baked-on polyester-powder finishing process which electrostatically applies and fuses a polyester powder to the pole. Provides an extremely smooth and uniform finish to withstand extreme weather changes without cracking or peeling, and features a five-year limited warranty. Optional DuraGrip® Plus features the added protection of a 3.0 to 5.0 mil thickness of polyester-powder finish plus an inner coating, as well as a seven-year limited warranty.

DETERMINING THE LUMINAIRE/POLE COMBINATION FOR YOUR APPLICATION:

- Select luminaire from luminaire ordering information
- Select bracket configuration if required
- Determine EPA value from luminaire/bracket EPA chart
- Select pole height
- Select MPH to match wind speed in the application area (See windspeed map).
- Confirm pole EPA equal to or exceeding value from note above
- Consult factory for special wind load requirements and banner brackets

POLE SELECTION CHART: 4" (102mm) and 5" (127mm) steel round poles

Height	EPA [†]				Outside Dimensions	Material	Bolt Circle
	70 MPH	80 MPH	90 MPH	100 MPH			
10' (3.0m)	18.5	13.8	10.6	8.2	4" (102mm)	S10G	L
12' (3.7m)	14.6	10.7	8.0	6.1	4" (102mm)	S10G	L
14' (4.3m)	11.7	8.4	6.1	4.5	4" (102mm)	S10G	L
16' (4.9m)	9.9	6.9	4.9	3.4	4" (102mm)	S10G	L
16' (4.9m)	18.6	13.4	9.8	7.3	5" (127mm)	S11G	L
16' (4.9m)	32.2	23.2	17.0	12.6	5" (127mm)	S07G	M
18' (5.5m)	15.5	11.1	8.0	5.8	4" (102mm)	S10G	L
18' (5.5m)	24.2	17.5	12.9	9.6	5" (127mm)	S11G	L
18' (5.5m)	37.5	27.7	20.9	16.1	5" (127mm)	S07G	M
20' (6.1m)	12.5	8.7	6.1	4.2	4" (102mm)	S10G	L
20' (6.1m)	20.0	14.2	10.2	7.4	5" (127mm)	S11G	L
20' (6.1m)	31.7	23.1	17.3	13.1	5" (127mm)	S07G	M
22' (6.7m)	10.0	6.7	4.4	2.8	4" (102mm)	S10G	L
22' (6.7m)	16.6	11.5	8.0	5.5	5" (127mm)	S11G	L
22' (6.7m)	26.9	19.4	14.2	10.5	5" (127mm)	S07G	M
24' (7.3m)	7.8	4.9	3.0	1.5	4" (102mm)	S10G	L
24' (7.3m)	13.6	9.1	6.0	3.8	5" (127mm)	S11G	L
24' (7.3m)	22.9	16.2	11.6	8.3	5" (127mm)	S07G	M
26' (7.9m)	11.1	7.1	4.3	2.3	5" (127mm)	S11G	L
26' (7.9m)	19.5	13.5	9.4	6.4	5" (127mm)	S07G	M
28' (8.5m)	16.5	11.1	7.4	4.7	5" (127mm)	S07G	M
30' (9.1m)	13.8	8.9	5.6	3.2	5" (127mm)	S07G	M

[†] Refer to EPA information on next page. If luminaire weight exceeds 250 lbs. (113.4 kg), consult factory. For applications in Canada and areas using code requirements other than ANSI/ASCE 7-93 and for banner brackets, consult factory.

ARRA
Funding Compliant

Project Name _____ Fixture Type _____

Catalog # _____

12/06/11

© 2012
LSI INDUSTRIES INC.

STEEL ROUND POLES

POLE ORDERING INFORMATION

TYPICAL ORDER EXAMPLE: **5RPB5 S07G 24 S PLP SF DGP**

Pole Series	Material	Height ⁵	Mounting Configuration	Pole Finish	Options	
Bolt-On Mount¹ - See selection guide following Steel Round Tapered Poles data sheet for patterns and fixture matches. 4RPB3 - 3" Reduced Drilling Pattern 5RPB3 - 3" Reduced Drilling Pattern 4RPB5 - 5" Traditional Drilling Pattern 5RPB5 - 5" Traditional Drilling Pattern	S11G – 11 Ga. Steel S10G – 10 Ga. Steel ⁴ S07G – 07 Ga. Steel	10' 12' 14' 16' 18' 20' 22' 24' 26' 28' 30'	S – Single/Parallel D180 – Double D90° – Double DN90° – Double T90° – Triple TN120° – Triple Q90° – Quad PT – Pole Top Mount	BRZ – Bronze BLK – Black PLP – Platinum Plus WHT – White SVG – Satin Verde Green GPT – Graphite MSV – Metallic Silver	GA – Galvanized Anchor Bolts SF – Single Flood ⁶ DF – Double Flood ⁶ DGP – DuraGrip [®] Plus LAB – Less Anchor Bolts	
Pole Top Mount² - Use with: • Greenbriar Pole Top • Hilton Pole Top 4RPP 5RPP	Consult Pole Selection Chart on opposite page			Standard SF and DF pole preparations are located 3/4 of the height of the pole from the base, unless otherwise specified.		
Tenon Mount - See selection guide following Steel Round Tapered Poles data page for tenon selection guide. 4RPN 5RPN			N – Tenon Mount 4N – Tenon Mount (Available with 5RPN only. For 4" poles, use 4RPSF below) ³			
Greenlee Slipfit - Use with: • Greenlee Lifestyle CC, SC & CH mounting styles • Enterprise, Intrepid & Lexington PT Single mounting styles ³ 4RPSF			*			
Greenlee Universal Bracket¹ (No Drilling) - Use with: • Lifestyle UCLS • Lifestyle UCLD180 4RPI 5RPI						

FOOTNOTES:

- Standard flat black pole cap provided. Domed Greenlee pole cap will ship with SA4 and SA5 Enterprise, Intrepid and Lexington fixtures, SA Lifestyle fixtures, BK SPT BO, BK MPT BO and UCL brackets.
 - For Enterprise, Intrepid and Lexington PT mounting configuration styles, see Tenon Mount (4N) and Greenlee Slipfit Pole Series (4RPSF).
 - For Enterprise, Intrepid and Lexington D180 or other mounting configuration styles using BK SPT BO and BK MPT BO accessories, see chart on Bolt-on Mount 4RPB3 / 5RPB3 DRILLING PATTERN section on page following Steel Round Tapered Poles data sheet.
- 4 - 4" poles are available in S10G only. 5" poles available in S11G and S07G only.
5 - Pole heights will have +/- 1/2" tolerance.
6- See Flood Lighting Brackets section for choice of FBO brackets.

ACCESSORY ORDERING INFORMATION

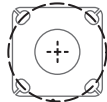
(Accessories are field installed)

Description	Order Number	Description	Order Number
4" SRBC Square Base Cover	158450CLR	GFI – Ground Fault Circuit Interrupter (Poles below 18')	122558CLR
5" SRBC Square Base Cover	158451CLR	GFI – Ground Fault Circuit Interrupter for Reinforced Hand-hole (Poles 18' and above)	122567CLR
4" /5" GBC Decorative Base Cover	Consult Factory	MHD – Mounting Hole Weatherproof Decal	Consult Factory
ER2 – Weatherproof Duplex Receptacle (Poles below 18')	122557CLR	BB – Banner Brackets	Consult Factory for EPA calculations
ER2 – Weatherproof Duplex Receptacle for Reinforced Hand-hole (Poles 18' and above)	122566CLR		

BOLT CIRCLE

4" (102mm) Round

10-1/8" (257mm) sq.



11" (279mm) Dia. Bolt Circle

5" (127mm) Round

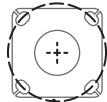
10-1/8" (257mm) sq.



11" (279mm) Dia. Bolt Circle

5" (127mm) Round

10-1/8" (257mm) sq.



11" (279mm) Dia. Bolt Circle

	L	L	M
Bolt Circle	Slotted 11" (279mm)	Slotted 11" (279mm)	Slotted 11" (279mm)
Anchor Bolt Size	3/4" x 30" (19mm x 762mm)	3/4" x 30" (19mm x 762mm)	1" x 36" (25mm x 914mm)
Anchor Bolt Projection	3-1/4" (83mm)	3-1/4" (83mm)	4" (102mm)
Base Plate Opening for Wireway Entry	3-5/8" (92mm)	4-3/4" (121mm)	4-5/8" (117mm)
Base Plate Dimensions	10-1/8" sq. x 3/4" thk. (257mm x 19mm)	10-1/8" sq. x 3/4" thk. (257mm x 19mm)	10-1/8" sq. x 1" thk. (257mm x 25mm)

Note: Base plate illustrations may change without notice. Do not use for setting anchor bolts. Consult factory for the base plate templates.

EPA INFORMATION

All LSI Industries' poles are guaranteed to meet the EPA requirements listed. LSI Industries is not responsible if a pole order has a lower EPA rating than the indicated wind-loading zone where the pole will be located.
CAUTION: This guarantee does not apply if the pole/bracket/fixture combination is used to support any other items such as flags, pennants, or signs, which would add stress to the pole. LSI Industries cannot accept responsibility for harm or damage caused in these situations.

NOTE: Pole calculations include a 1.3 gust factor over steady wind velocity. Example: poles designed to withstand 80 MPH steady wind will withstand gusts to 104 MPH. EPAs are for locations 100 miles away from hurricane ocean lines. Consult LSI for other areas. Note: Hurricane ocean lines are the Atlantic and Gulf of Mexico coastal areas. For applications in Florida or Canada, consult factory.



Project Name _____ Fixture Type _____

Catalog # _____

12/06/11

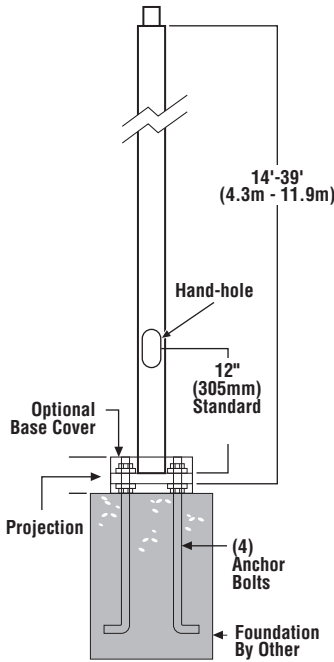
© 2012
LSI INDUSTRIES INC.

STEEL SQUARE POLES

DIMENSIONS

SQN - N=2-3/8" (60mm) O.D. x 4-3/4" (121mm) Tenon

SQB3, SQB5 - Bolt-On Mount 2-Bolt Pattern



SQP - Square Pole Top

SQI - No Mounting Holes

SF - Single Flood Pole Preparation

POLE SHAFT - Pole shaft is electro-welded ASTM-A500 Grade C steel tubing with a minimum yield strength of 50,000 psi. On Tenon Mount steel poles, tenon is 2-3/8" O.D. high-strength pipe. Tenon is 4-3/4" in length. Straight poles are 4", 5", and 6" square.

HAND-HOLE - Standard hand-hole location is 12" above pole base. Poles 22' and above have a 3" x 6" reinforced hand-hole. Shorter poles have a 2" x 4" non-reinforced hand-hole.

BASE - Pole base is ASTM-A36 hot-rolled steel plate with a minimum yield strength of 36,000 psi. Two-piece square base cover is optional.

ANCHOR BOLTS - Poles are furnished with anchor bolts featuring zinc-plated double nuts and washers. Galvanized anchor bolts are optional. Anchor bolts conform to ASTM F 1554-07a Grade 55 with a minimum yield strength of 55,000 psi.

GROUND LUG - Ground lug is standard.

DUPLEX RECEPTACLE - Weatherproof duplex receptacle is optional.

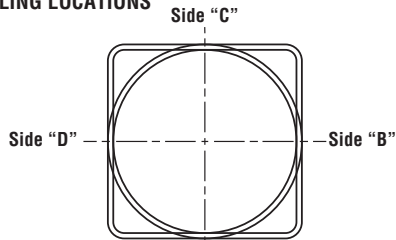
GROUND FAULT CIRCUIT INTERRUPTER - Ground fault circuit interrupter is optional.

FINISHES - Each pole is finished with DuraGrip®, LSI's baked-on polyester-powder finishing process which electrostatically applies and fuses a polyester powder to the pole. Provides an extremely smooth and uniform finish to withstand extreme weather changes without cracking or peeling, and features a five-year limited warranty. Optional DuraGrip® Plus features the added protection of a 3.0 to 5.0 mil thickness of polyester-powder finish plus an inner coating, as well as a seven-year limited warranty.

DETERMINING THE LUMINAIRE/POLE COMBINATION FOR YOUR APPLICATION:

- Select luminaire from luminaire ordering information
- Select bracket configuration if required
- Determine EPA value from luminaire/bracket EPA chart
- Select pole height
- Select MPH to match wind speed in the application area (See windspeed map).
- Confirm pole EPA equal to or exceeding value from note above
- Consult factory for special wind load requirements and banner brackets

DRILLING LOCATIONS



Sides	A	B	C	D
Hand-hole	X			
Single	X			
D180°		X		X
D90°	X			X
T90°	X	X		X
TN120°*	X			
Q90°	X	X	X	X
Single FBO	X			
Double FBO		X		X

*Other two locations will be 120° to the left and right of Side A.

Note: Standard SF and DF pole preparations are located 3/4 of the height of the pole from the base, unless otherwise specified.

SHIPPING WEIGHTS - Steel Square Poles

4"(102mm) sq. 11 Ga. is approximately	7.50 lbs./ft.
4"(102mm) sq. 07 Ga. is approximately	10.00 lbs./ft.
5"(127mm) sq. 11 Ga. is approximately	9.00 lbs./ft.
5"(127mm) sq. 07 Ga. is approximately	12.50 lbs./ft.
6"(152mm) sq. 07 Ga. is approximately	15.40 lbs./ft.
Anchor Bolts (3/4" x 30")(19mm x 762mm)	15 lbs. (7kg)/set
Anchor Bolts (1" x 36")(25mm x 914mm)	30 lbs. (14kg)/set

POLE SELECTION CHART: 4"(102mm), 5"(127mm) and 6"(152mm) steel square poles

Height	EPA ¹				Outside Dimensions	Material	Bolt Circle
	70 MPH	80 MPH	90 MPH	100 MPH			
14' (4.3m)	23.3	16.7	12.2	9.0	4" (102mm)	S11G	B
16' (4.9m)	18.6	13.1	9.3	6.5	4" (102mm)	S11G	B
16' (4.9m)	34.6	25.0	18.5	13.8	5" (127mm)	S11G	C
18' (5.5m)	14.4	9.7	6.5	4.2	4" (102mm)	S11G	B
18' (5.5m)	27.9	19.7	14.1	10.1	5" (127mm)	S11G	C
20' (6.1m)	11.0	7.0	4.2	2.2	4" (102mm)	S11G	B
20' (6.1m)	18.7	12.8	8.8	5.9	4" (102mm)	S07G	B
20' (6.1m)	22.5	15.4	10.5	7.0	5" (127mm)	S11G	C
20' (6.1m)	35.5	25.4	18.4	13.4	5" (127mm)	S07G	D
22' (6.7m)	10.4	6.3	3.4	1.4	4" (102mm)	S11G	B
22' (6.7m)	18.7	12.6	8.4	5.4	4" (102mm)	S07G	B
22' (6.7m)	20.8	13.8	8.9	5.5	5" (127mm)	S11G	C
22' (6.7m)	34.0	23.9	17.0	12.0	5" (127mm)	S07G	D
24' (7.3m)	7.7	4.0	1.5	—	4" (102mm)	S11G	B
24' (7.3m)	15.1	9.7	6.0	3.3	4" (102mm)	S07G	B
24' (7.3m)	16.7	10.5	6.2	3.1	5" (127mm)	S11G	C
24' (7.3m)	28.6	19.6	13.4	8.9	5" (127mm)	S07G	D
24' (7.3m)	46.2	32.6	23.2	16.6	6" (153mm)	S07G	J
26' (7.9m)	5.3	2.1	—	—	4" (102mm)	S11G	B
26' (7.9m)	12.0	7.2	3.9	1.5	4" (102mm)	S07G	B
26' (7.9m)	13.2	7.6	3.8	1.0	5" (127mm)	S11G	C
26' (7.9m)	24.0	15.8	10.3	6.3	5" (127mm)	S07G	D
26' (7.9m)	39.6	27.3	18.9	12.9	6" (152mm)	S07G	J
28' (8.5m)	19.9	12.5	7.5	3.9	5" (127mm)	S07G	D
28' (8.5m)	33.9	22.7	15.1	9.6	6" (152mm)	S07G	J
30' (9.1m)	16.3	9.6	5.0	1.7	5" (127mm)	S07G	D
30' (9.1m)	28.8	18.6	11.6	6.6	6" (152mm)	S07G	J
35' (10.7m)	18.3	10.0	4.3	—	6" (152mm)	S07G	J
39' (11.9m)	11.5	4.3	—	—	6" (152mm)	S07G	J

¹ Refer to EPA information on next page. If luminaire weight exceeds 250 lbs. (113.4kg), consult factory. For applications in Canada and areas using code requirements other than ANSI/ASCE 7-93, consult factory.

ARRA
Funding Compliant

Project Name _____ Fixture Type _____

Catalog # _____

12/06/11

© 2012
LSI INDUSTRIES INC.

STEEL SQUARE POLES

POLE ORDERING INFORMATION

TYPICAL ORDER EXAMPLE: **5SQB5 S07G 24 S PLP SF DGP**

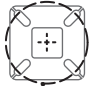
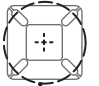
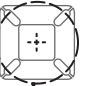
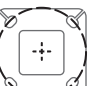
Pole Series	Material	Height ²	Mounting Configuration	Pole Finish	Options
Bolt-on Arm Mount - See selection guide following Steel Round Tapered Poles data sheet for patterns and fixture matches. 4SQB3 - 3" Reduced drilling pattern 5SQB3 - 3" Reduced drilling pattern 4SQB5 - 5" Traditional drilling pattern 5SQB5 - 5" Traditional drilling pattern 6SQB5 - 5" Traditional drilling pattern	S11G – 11 Ga. Steel S07G – 07 Ga. Steel	14' 16' 18' 20' 22' 24' 26' 28' 30' 35' 39'	S – Single/Parallel D180 – Double D90° – Double DN90° – Double T90° – Triple TN120° – Triple Q90° – Quad QN90° – Quad	BRZ – Bronze BLK – Black PLP – Platinum Plus WHT – White SVG – Satin Verde Green GPT – Graphite MSV – Metallic Silver	GA – Galvanized Anchor Bolts SF – Single Flood ³ DF – Double Flood ³ DGP – DuraGrip® Plus LAB – Less Anchor Bolts
Pole Top Mount - Use with: • Greenbriar Pole Top • Hilton Pole Top 4SQP 5SQP 6SQP	Consult Pole Selection Chart on opposite page		PT – Pole Top Mount	Standard SF and DF pole preparations are located 3/4 of the height of the pole from the base, unless otherwise specified.	
Tenon Mount - See selection guide following Steel Round Tapered Poles data page for tenon selection data. 4SQN 5SQN 6SQN			N – Tenon Mount (Standard tenon size is 2-3/8" O.D.)		
No Mounting Holes or Pole Caps - Use with: • BKA 4ISF & BKA 5ISF • BKA X4ISF & BKA X5ISF			*		
Internal Slip-fitter¹ 4SQI 5SQI					

FOOTNOTES:

- 1 - See Area Lighting Brackets - Bolt-on and XAS3/XAM3 Area Lighting Brackets pages for Internal Slip-fitter brackets.
- 2 - Pole heights will have +/- 1/2" tolerance.
- 3 - See Flood Lighting Brackets section for choice of FBO brackets.

ACCESSORY ORDERING INFORMATION (Accessories are field installed)			
Description	Order Number	Description	Order Number
4BC – 4" Square Base Cover	122559CLR	MHP – Mounting Hole Plugs (3 plugs)	132336
5BC – 5" Square Base Cover	122561CLR	Vibration Damper - 4" Square Pole (bolt-on mount only)	172539
6BC – 6" Square Base Cover	122563CLR	Vibration Damper - 5" Square Pole (bolt-on mount only)	172538
ER2 – Weatherproof Duplex Receptacle	122566CLR	Vibration Damper - 6" Square Pole (bolt-on mount only)	178361
GFI – Ground Fault Circuit Interrupter	122567CLR		

BOLT CIRCLE

	4" (102mm) square 10-1/8" (257mm) sq.	5" (127mm) square 10-1/8" (257mm) sq.	5" (127mm) square 10-1/8" (257mm) sq.	6" (152mm) square 12" (305mm) sq.
				
	11" (279mm) Dia. Bolt Circle	11" (279mm) Dia. Bolt Circle	11" (279mm) Dia. Bolt Circle	12" (305mm) Dia. Bolt Circle
	B	C	D	J
Bolt Circle	8"-11" (203mm-279mm)	9"-11" (229mm-279mm)	9"-11" (229mm-279mm)	12" (305mm)
Anchor Bolt Size	3/4" x 30" (19mm x 762mm)	3/4" x 30" (19mm x 762mm)	1" x 36" (25mm x 914mm)	1" x 36" (25mm x 914mm)
Anchor Bolt Projection	3-1/4" (83mm)	3-1/4" (83mm)	4" (102mm)	4" (102mm)
Base Plate Opening for Wireway Entry	3-5/8" (92mm)	4-3/4" (121mm)	4-5/8" (117mm)	5-5/8" (143mm)
Base Plate Dimensions	10-1/8" sq. x 3/4" thk. (257mm x 19mm)	10-1/8" sq. x 3/4" thk. (257mm x 19mm)	10-1/8" sq. x 1" thk. (257mm x 25mm)	12" sq. x 1-1/8" thk. (305mm x 29mm)

Note: Base plate illustrations may change without notice. Do not use for setting anchor bolts. Consult factory for the base plate templates.

EPA INFORMATION

All LSI Industries' poles are guaranteed to meet the EPA requirements listed. LSI Industries is not responsible if a pole order has a lower EPA rating than the indicated wind-loading zone where the pole will be located.
CAUTION: This guarantee does not apply if the pole/bracket/fixture combination is used to support any other items such as flags, pennants, or signs, which would add stress to the pole. LSI Industries cannot accept responsibility for harm or damage caused in these situations.

NOTE: Pole calculations include a 1.3 gust factor over steady wind velocity. Example: poles designed to withstand 80 MPH steady wind will withstand gusts to 104 MPH. EPAs are for locations 100 miles away from hurricane ocean lines. Consult LSI for other areas. Note: Hurricane ocean lines are the Atlantic and Gulf of Mexico coastal areas. For applications in Florida or Canada, consult factory.



Project Name _____ Fixture Type _____

Catalog # _____

12/06/11

© 2012
LSI INDUSTRIES INC.