

M125

Linear Fluorescent Direct
Recessed

selux



Project: _____

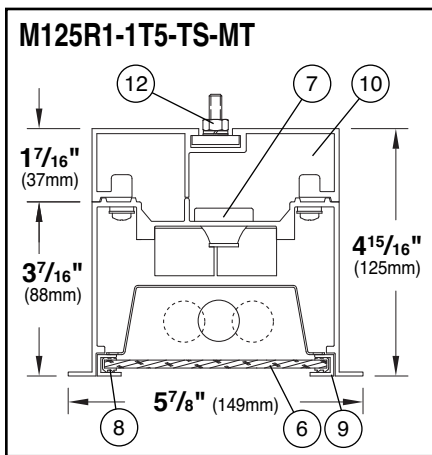
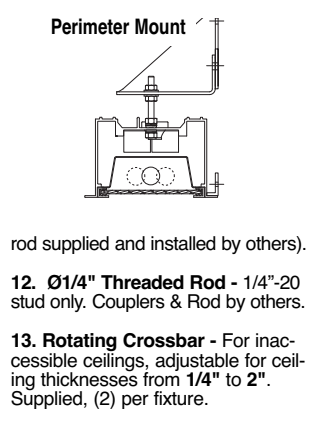
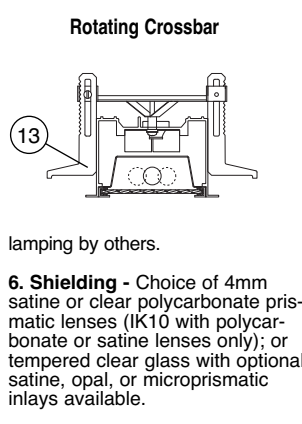
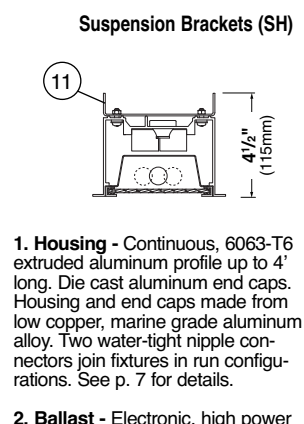
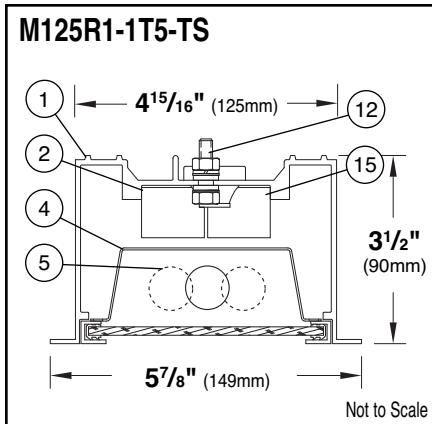
Type: _____ **Qty:** _____

Series	Lamping	Shielding	Mounting	Nominal Length	Finish	Voltage
Options						

Series	Lamping	Shielding	Mounting	Nominal Length	Finish	Voltage	Options
M125R1 Recessed Flanged	1T5	XX Clear Glass only	SH Suspension Bracket	003 3 foot	WH White	120	MT ² Media Trunking
	2T5	SI Clear Glass w/ Satine Inlay	TS 1" Studs (Factory installed)	004 4 foot	BK Black	277	EM1 ^{3,4,5} Stand-by Battery Pack (ISL-28)
M125R2 Recessed Flanged / Flush Endcaps	1T8	OI Clear Glass w/ Opal Inlay	RC Rotating Crossbar	RUN Nominal Lengths*	SV Silver	347	EM2 ^{4,5} Stand-by Battery Pack (ISL-54)
	2T8	MI Clear Glass w/ Microprismatic Inlay	PM Perimeter Mount		SP Specify Premium Color		EM3 ^{4,5} Stand-by Battery Pack (ISL-540)
M125 For Concrete Pour Only	1T5HO	PC ¹ Prismatic Lens	MTB ⁸ Metal Box Concrete Pour				DM Non-Standard Ballast
	2T5HO	SD ¹ Satine Lens					DMA ^{4,5} Lutron: EcoSystem (4-wire Digital Link)

* For actual lengths see p.5. For other lengths, configurations indicate nominal length rounded to the next highest foot. Factory will supply layout drawings. Individual fixtures cannot be field joined.

¹ IK10 rated. ² SH and TS mountings only. ³ Not available with T5HO. ⁴ Not available with 347V. ⁵ Not available with 2T5HO. ⁶ For M125 Concrete Pour Only. ⁷ Not required when MT is used.



1. Housing - Continuous, 6063-T6 extruded aluminum profile up to 4' long. Die cast aluminum end caps. Housing and end caps made from low copper, marine grade aluminum alloy. Two water-tight nipple connectors join fixtures in run configurations. See p. 7 for details.

2. Ballast - Electronic, high power factor, class "P," type "A" sound rating. Specify 120v, 277v, or 347v. Ballast is factory pre-wired with leads to one end of fixture. Cold Weather ballast (-20°F/-29°C) available with CW option. See p. 8 for standard dimming ballast.

3. EM Battery Packs - (not shown) Standard EM Battery Packs (EM1 - EM3) by IOTA™. For detailed information (i.e. operated lamps and average lumen ratings) please see IOTA™ Product specification sheet.

4. Gear Tray - White powder-coated, cold-rolled steel. Gear tray installed as a complete electrical unit fully accessible and removable from below ceiling.

5. Lamps - Single or double T5 (21W 3', 28W 4'), T5HO (39W 3', 54W 4'), or T8 (25W 3', 32W 4')

lamping by others.

6. Shielding - Choice of 4mm satine or clear polycarbonate prismatic lenses (IK10 with polycarbonate or satine lenses only); or tempered clear glass with optional satine, opal, or microprismatic inlays available.

7. Grommet - Rubber Grommet in 13/16" feed hole provided for feed wire.

8. One piece Silicone Gasketing - Fixture lens and end plates are fully gasketed (IP65 rated) for weather proofing, dust, and insect control.

9. Fixture Door - Secure, completely sealed at all points of entry from water, insects and dust. Two tamper-proof stainless steel screws allow access to lamp and gear tray. Door remains captive when servicing with corrosion protected steel safety cable on both ends.

10. Media Trunk - Provides raceway for additional cables, etc. and in continuous run or pattern applications.

11. Suspension Brackets - Bolted onto fixture or media trunk, located nominally every 4'. (Support wires or

rod supplied and installed by others).

12. Ø1/4" Threaded Rod - 1/4"-20 stud only. Couplers & Rod by others.

13. Rotating Crossbar - For inaccessible ceilings, adjustable for ceiling thicknesses from 1/4" to 2". Supplied, (2) per fixture.

14. Nipple Connector - (not shown) 3/8" IP nipple connector for water tight connection between luminaires in a run. Two connectors required per connection. Not required when MT is used. See p. 7 for details.

15. Emergency Battery Pack - (not shown) For details, see p. 8.

Luminaire Finish - Selux utilizes a high quality Polyester Powder Coating. All Selux luminaires and poles are finished in our Tiger Drylac certified facility and undergo a five stage intensive pretreatment process where product is thoroughly cleaned, phosphated and sealed. Selux powder coated products provide excellent salt and humidity resistance as well as ultra violet resistance for color retention. All products are tested in accordance with test specifications for coatings from ASTM and PCI.

Selux Corp. © 2013
TEL (845) 834-1400
FAX (845) 834-1401
www.selux.us
M125R-1013-01 (ss-v2.5)

NRTL Listed for Wet Locations (i.e. UL, CSA)

Union Made Affiliated
with **IBEW Local 363**

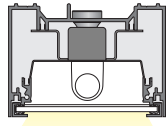
IP65 **IK10**

In a continuing effort to offer the best product possible, we reserve the right to change, without notice, specifications or materials that in our opinion will not alter the function of the product. Specification sheets found at www.selux.us are the most recent versions and supercede all other printed or electronic versions.

Selux premium colors (SP) are available, please specify from your Selux color selection guide.

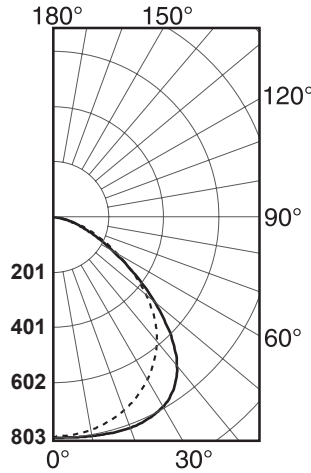
Photometry

M125-1T5-SI Satine Inlay/Clear Lens



Catalog #: **M125-1T5-SI-F-004**
 Lamp: **1F28T5 @ 2610 lumens**
 Report #: **21581**
 Luminaire Efficiency: **73%**
 Maximum Candela: **723 @ 18.5°**

DOWNLOAD IES FILE:
http://www.selux.us/fileadmin/us/interior/ies_file/M125_IES.zip



COEFFICIENTS OF UTILIZATION - Zonal cavity method

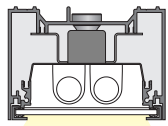
RC	80				70				50				30				10				0			
	RW	70	50	30	10	70	50	30	10	50	30	10	50	30	10	50	30	10	50	30	10	0	0	0
0	87	87	87	87	85	85	85	85	81	81	81	77	77	77	74	74	74	74	74	74	73	73	73	73
1	80	77	74	72	78	75	73	71	72	70	69	70	68	66	67	66	64	63	63	63	63	63	63	63
2	74	68	64	60	72	67	63	59	64	61	58	62	59	57	60	57	55	54	54	54	54	54	54	54
3	68	60	55	51	66	59	54	50	57	53	49	55	52	48	53	50	48	46	46	46	46	46	46	46
4	62	54	48	43	60	53	47	43	51	46	42	50	45	42	48	44	41	40	40	40	40	40	40	40
5	57	48	42	38	56	48	42	37	46	41	37	45	40	37	43	39	36	35	35	35	35	35	35	35
6	53	44	37	33	52	43	37	33	42	36	33	41	36	32	39	35	32	31	31	31	31	31	31	31
7	49	40	34	29	48	39	33	29	38	33	29	37	32	29	36	32	29	27	27	27	27	27	27	27
8	46	36	30	26	45	36	30	26	35	30	26	34	29	26	33	29	26	24	24	24	24	24	24	24
9	43	33	27	24	42	33	27	23	32	27	23	31	27	23	30	26	23	22	22	22	22	22	22	22
10	40	31	25	21	39	30	25	21	30	25	21	29	24	21	28	24	21	20	20	20	20	20	20	20

Effective Floor Cavity Reflectance 0.20

0° Vertical Plane is parallel with the lamp.
 90° Vertical Plane is perpendicular to the lamp.

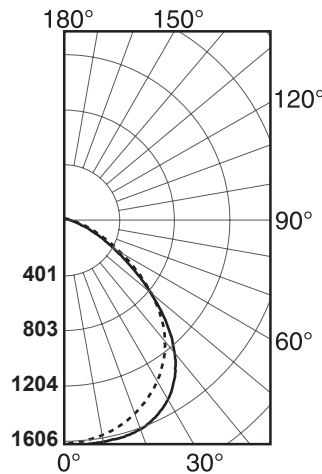
ZONAL LUMEN SUMMARY			
ZONE	LUMENS	%LAMP	%FIXT.
0-30	580.37	22.20	30.50
0-40	972.84	37.30	51.20
0-60	1653.6	63.40	87
0-90	1900.73	72.80	100
90-180	0.00	0.00	0
0-180	1900.73	72.80	100

M125-2T5-SI Satine Inlay/Clear Lens



Catalog #: **M125-2T5-SI-F-004**
 Lamp: **2F28T5 @ 2610 lumens**
 Report #: **21580**
 Luminaire Efficiency: **68%**
 Maximum Candela: **1402 @ 8.5°**

DOWNLOAD IES FILE:
http://www.selux.us/fileadmin/us/interior/ies_file/M125_IES.zip



COEFFICIENTS OF UTILIZATION - Zonal cavity method

RC	80				70				50				30				10				0			
	RW	70	50	30	10	70	50	30	10	50	30	10	50	30	10	50	30	10	50	30	10	0	0	0
0	87	87	87	87	85	85	85	85	81	81	81	77	77	77	74	74	74	74	74	74	73	73	73	73
1	80	77	74	72	78	75	73	71	72	70	69	70	68	66	67	66	64	63	63	63	63	63	63	63
2	74	68	64	60	72	67	63	59	64	61	58	62	59	57	60	57	55	54	54	54	54	54	54	54
3	68	60	55	51	66	59	54	50	57	53	49	55	52	48	53	50	48	46	46	46	46	46	46	46
4	62	54	48	43	60	53	47	43	51	46	42	50	45	42	48	44	41	40	40	40	40	40	40	40
5	57	48	42	38	56	48	42	37	46	41	37	45	40	37	43	39	36	35	35	35	35	35	35	35
6	53	44	37	33	52	43	37	33	42	36	33	41	36	32	39	35	32	31	31	31	31	31	31	31
7	49	40	34	29	48	39	33	29	38	33	29	37	32	29	36	32	29	27	27	27	27	27	27	27
8	46	36	30	26	45	36	30	26	35	30	26	34	29	26	33	29	26	24	24	24	24	24	24	24
9	43	33	27	24	42	33	27	23	32	27	23	31	27	23	30	26	23	22	22	22	22	22	22	22
10	40	31	25	21	39	30	25	21	30	25	21	29	24	21	28	24	21	20	20	20	20	20	20	20

Effective Floor Cavity Reflectance 0.20

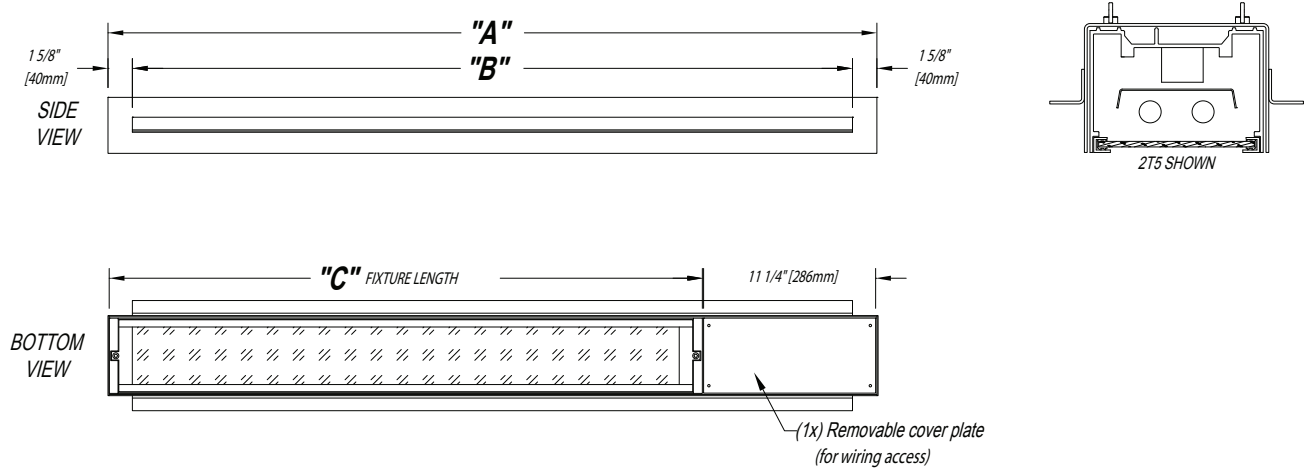
0° Vertical Plane is parallel with the lamp.
 90° Vertical Plane is perpendicular to the lamp.

ZONAL LUMEN SUMMARY			
ZONE	LUMENS	%LAMP	%FIXT.
0-30	1125.86	21.60	31.60
0-40	1863.81	35.70	52.30
0-60	3110.65	59.60	87.30
0-90	3563.2	68.30	100
90-180	.04	0.00	0
0-180	3563.24	68.30	100

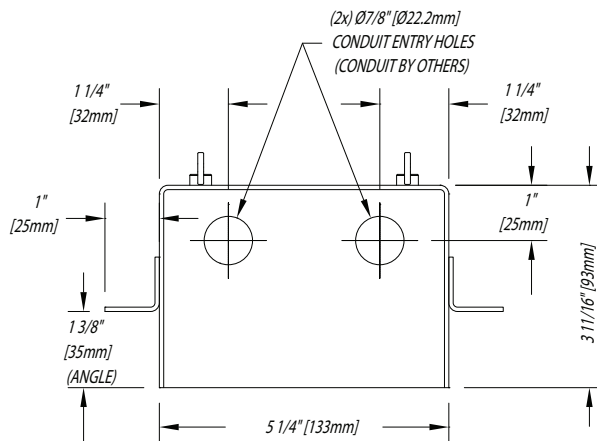
Concrete Pour Mounting Details

Mounting hardware by others. Outlet box and lamp(s) by others. 3' fixture shown as reference.

M125-XXXX-XX-XX- **MTB** -003-XX-XX



M125 - CONCRETE POUR METAL BOX DETAIL



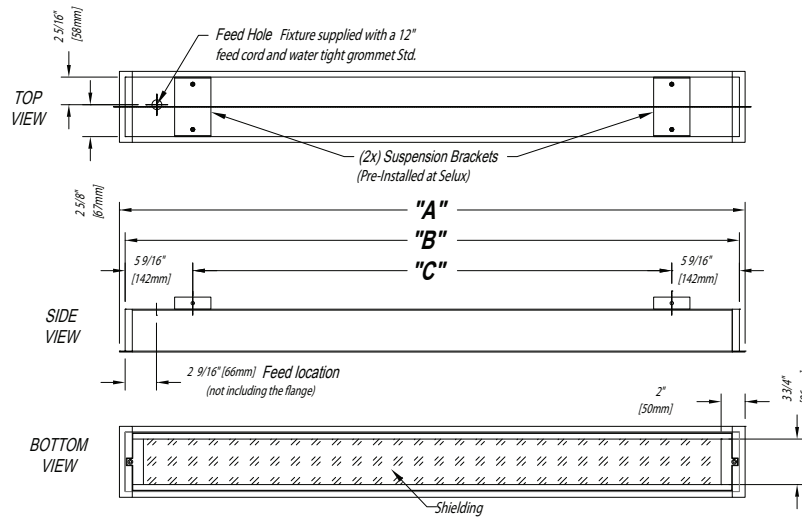
METAL BOX CONCRETE POUR (MTB) MOUNTING DIMENSIONS						
	T5			T8		
	"A" METAL BOX O.A.L.	"B" FLANGE LENGTH	"C" FIXTURE	"A" METAL BOX O.A.L.	"B" FLANGE LENGTH	"C" FIXTURE
3 foot individual	3' - 10 1/4" [1175mm]	3' - 7 1/4" [1099mm]	3' - 1" [940mm]	4' [1219mm]	3' - 9" [1143mm]	3' - 2 13/16" [985mm]
4 foot individual	4' - 10" [1473mm]	4' - 7" [1397mm]	4' - 13/16" [1240mm]	5' [1524mm]	4' - 9" [1448mm]	4' - 2 13/16" [1290mm]

For other lengths, lamping or configurations please specify overall length (in feet), accessories desired and sketch/drawing of configuration. Selux will detail project drawings upon order and supply submittal drawings for approval. If you have any questions, contact Selux customer service or applications engineering for assistance (1-800-SELUX-CS).

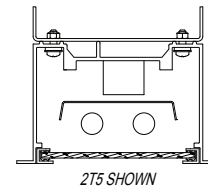
Individual Recessed Mounting Details

Mounting hardware & lamps by others. 4' fixture shown as reference.

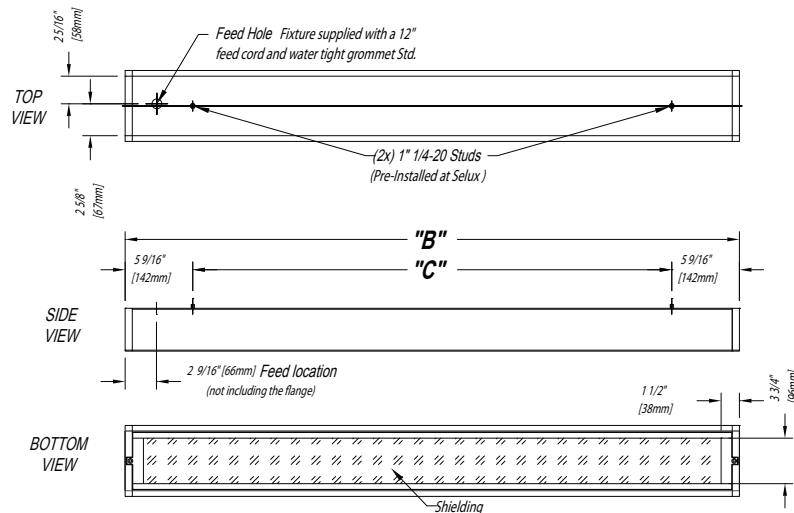
M125R1-xxxx-xx-xx-SH-004-xx-xx



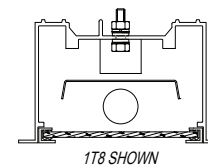
M125R1 - SUSPENSION BRACKET (SH) MOUNT



M125R2-xxxx-xx-xx-TS-004-xx-xx



M125R2 - 1/4-20 THREADED ROD (TS) MOUNT



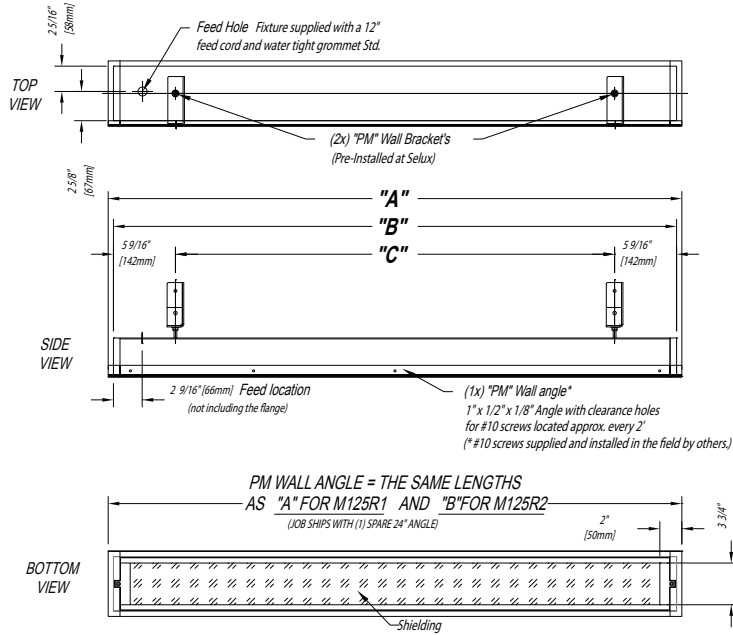
	SUSPENSION BRACKET (SH) AND THREADED STUD (TS) MOUNTING DIMENSIONS					
	T5			T8		
	"A" O.A.L. W/ FLANGE (M125R1 ONLY)	"B" HOUSING LENGTH	"C" SUSPENSION	"A" O.A.L. W/ FLANGE (M125R1 ONLY)	"B" HOUSING LENGTH	"C" SUSPENSION
3 foot individual	3' - 1 15/16" [964mm]	3' - 1" [940mm]	2' - 1 13/16" [656mm]	3' - 3 3/4" [1009mm]	3' - 2 13/16" [985mm]	2' - 3 5/8" [701mm]
4 foot individual	4' - 1 3/4" [1264mm]	4' - 13/16" [1240mm]	3' - 1 5/8" [956mm]	4' - 3 3/4" [1314mm]	4' - 2 13/16" [1290mm]	3' - 3 5/8" [1006mm]

For other lengths, lamping, continuous runs or configurations please specify overall length (in feet), accessories desired and sketch/drawing of configuration. Selux will detail project drawings upon order and supply submittal drawings for approval. If you have any questions, contact Selux customer service or applications engineering for assistance (1-800-SELUX-CS).

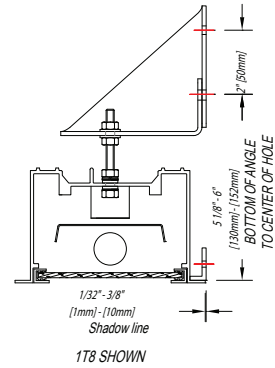
Individual Recessed Mounting Details

Mounting hardware & lamps by others. 4' fixture shown as reference.

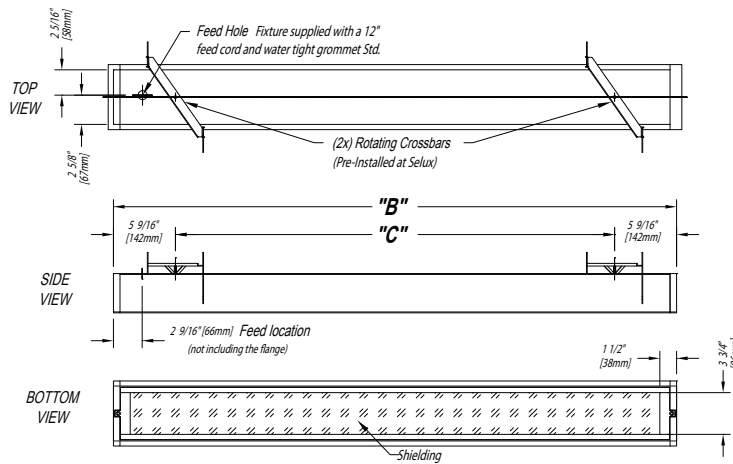
M125R1-xxxx-xx-xx-PM-004-xx-xx



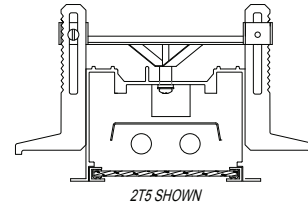
M125R1 - PERIMETER MOUNT (PM)



M125R2-xxxx-xx-xx-RC-004-xx-xx



M125R2 - ROTATING CROSSBARS (RC) MOUNT



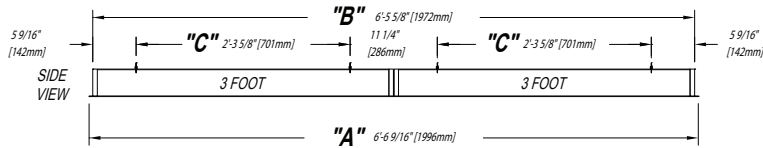
	PERIMETER MOUNT (PM) AND ROTATING CROSSBAR (RC) MOUNTING DIMENSIONS					
	T5			T8		
	"A" O.A.L. W/ FLANGE (M125R1 ONLY)	"B" HOUSING LENGTH	"C" SUSPENSION	"A" O.A.L. W/ FLANGE (M125R1 ONLY)	"B" HOUSING LENGTH	"C" SUSPENSION
3 foot individual	3' - 1 15/16" [964mm]	3' - 1" [940mm]	2' - 1 13/16" [656mm]	3' - 3 3/4" [1009mm]	3' - 2 13/16" [985mm]	2' - 3 5/8" [701mm]
4 foot individual	4' - 1 3/4" [1264mm]	4' - 13/16" [1240mm]	3' - 1 5/8" [956mm]	4' - 3 3/4" [1314mm]	4' - 2 13/16" [1290mm]	3' - 3 5/8" [1006mm]

For other lengths, lamping, continuous runs or configurations please specify overall length (in feet), accessories desired and sketch/drawing of configuration. Selux will detail project drawings upon order and supply submittal drawings for approval. Individual fixtures cannot be field joined. If you have any questions, contact Selux customer service or applications engineering for assistance (1-800-SELUX-CS).

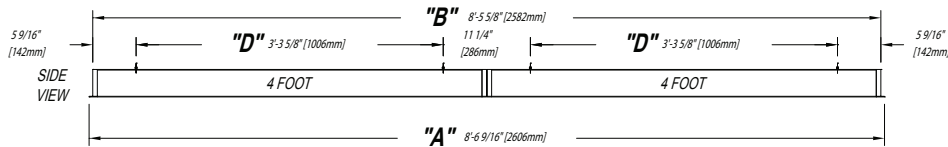
Recessed Linear Run Mounting Details

Nipple Connectors (NC) provide waterproof wiring between fixtures, connected in the field. Mounting hardware and lamps by others. For custom configurations and lengths, please consult factory.

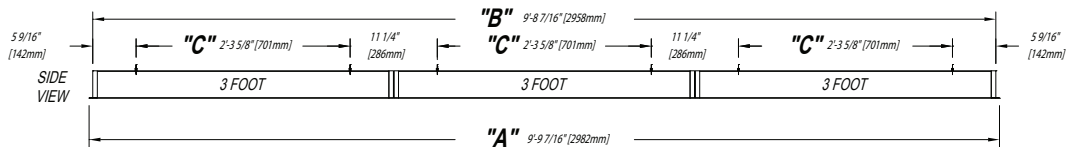
M125R1-xxxx-xx-xx- TS -006-xx-xx-NC



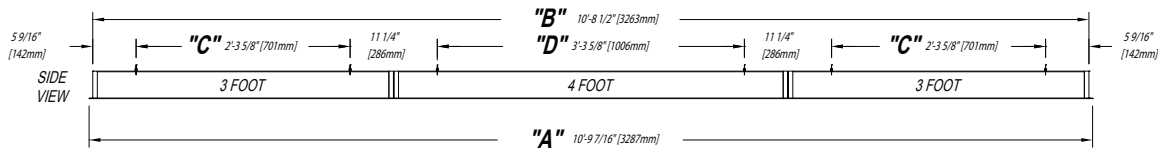
M125R1-xxxx-xx-xx- TS -008-xx-xx-NC



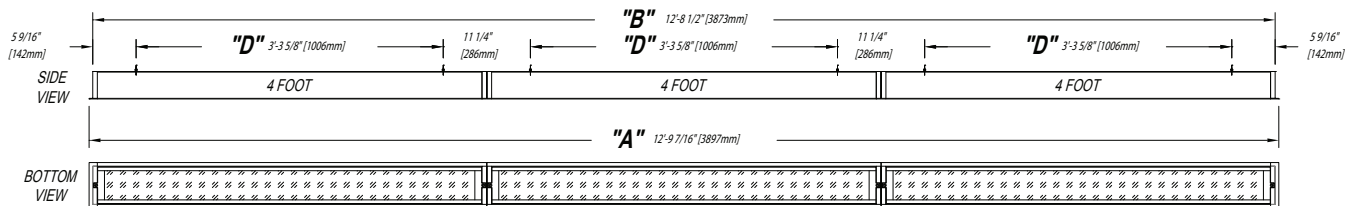
M125R1-xxxx-xx-xx- TS -009-xx-xx-NC



M125R1-xxxx-xx-xx- TS -010-xx-xx-NC



M125R1-xxxx-xx-xx- TS -012-xx-xx-NC



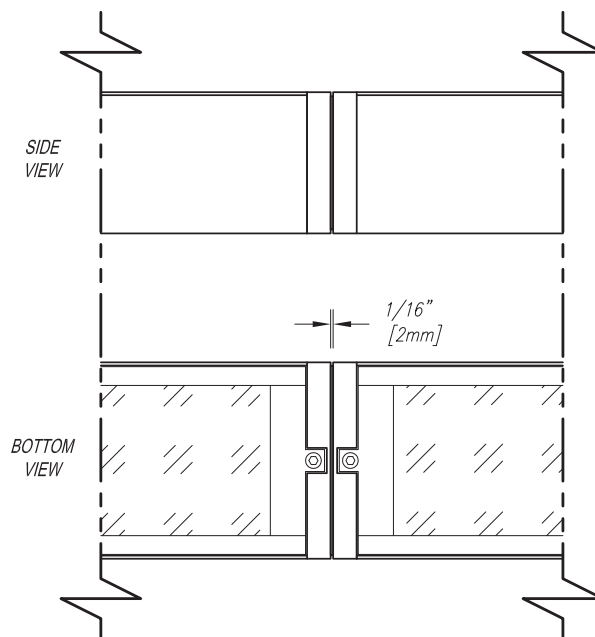
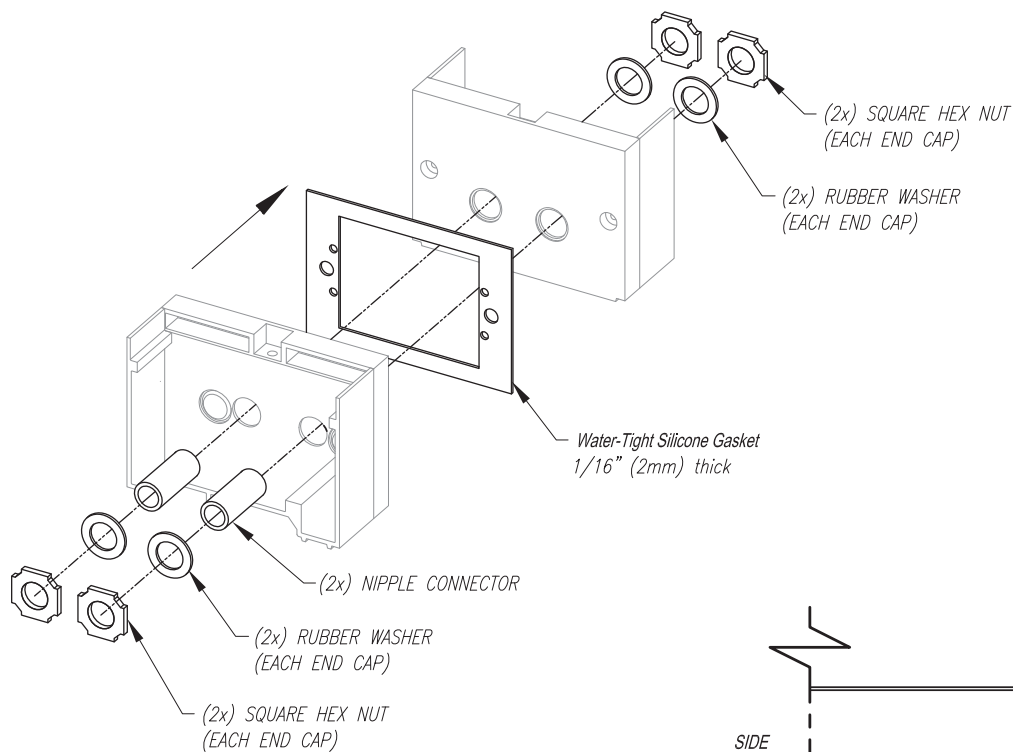
SUSPENSION BRACKET (SH), THREADED STUD (TS), PERIMETER MOUNT (PM) AND ROTATING CROSSBAR (RC) MOUNTING DIMENSIONS								
	T5				T8			
	"A" O.A.L. W/ FLANGE (M125R1 ONLY)	"B" HOUSING LENGTH	"C" SUSPENSION	"D" SUSPENSION	"A" O.A.L. W/ FLANGE (M125R1 ONLY)	"B" HOUSING LENGTH	"C" SUSPENSION	"D" SUSPENSION
6 foot run	6' - 3 1/16" [1906mm]	6' - 2 1/8" [1882mm]	2' - 1 13/16" [656mm]	N/A	6' - 6 9/16" [1996mm]	6' - 5 5/8" [1972mm]	2' - 3 5/8" [701mm]	N/A
8 foot run	8' - 2 11/16" [2506mm]	8' - 1 11/16" [2482mm]	N/A	3' - 1 5/8" [956mm]	8' - 6 9/16" [2606mm]	8' - 5 5/8" [2582mm]	N/A	3' - 3 5/8" [1006mm]
9 foot run	9' - 4 1/8" [2848mm]	9' - 3 3/16" [2824mm]	2' - 1 13/16" [656mm]	N/A	9' - 9 7/16" [2983mm]	9' - 8 7/16" [2959mm]	2' - 3 5/8" [701mm]	N/A
10 foot run	10' - 3 15/16" [3148mm]	10' - 3" [3124mm]	2' - 1 13/16" [656mm]	3' - 1 5/8" [956mm]	10' - 9 7/16" [3288mm]	10' - 8 1/2" [3264mm]	2' - 3 5/8" [701mm]	3' - 3 5/8" [1006mm]
12 foot run	12' - 3 9/16" [3748mm]	12' - 2 5/8" [3724mm]	N/A	3' - 1 5/8" [956mm]	12' - 9 7/16" [3898mm]	12' - 8 1/2" [3874mm]	N/A	3' - 3 5/8" [1006mm]

For other lengths, lamping, continuous runs or configurations please specify overall length (in feet), accessories desired and sketch/drawing of configuration. Selux will detail project drawings upon order and supply submittal drawings for approval. Individual fixtures cannot be field joined. If you have any questions, contact Selux customer service or applications engineering for assistance (1-800-SELUX-CS).

Mounting Details

Nipple Connectors

Water-tight Nipple Connectors supplied for all run configurations. Nipple Connectors are not needed when Media Trunking (MT) is used.

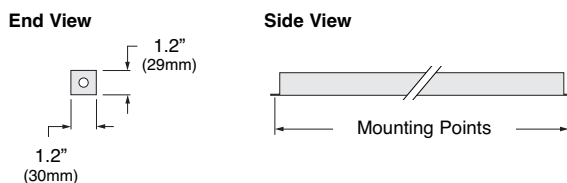


Dimming Option Details

Dimming	Lamping			Voltage	Manufacturers: Standard Ballast
DM7 (0-10V)	T5	T5HO	T8	120V	Advance : Mark 7
	14W	54W	17W	277V	
	21W	80W	25W		
	28W		32W		
DMH Digital Link (4-wire)	14W	24W	17W	120V	Lutron : EcoSystem® H-Series
	21W	39W	25W	277V	
	28W	54W	32W		
	28W	54W	32W	347V	
DM4 Digital Link (4-wire)	14W	24W	17W	120V	Lutron : Hi-Lume 3D
	21W	39W	25W		
	28W	54W	32W	277V	
		80W			
DM3(3-wire Dim)	14W	24W	17W	120V	Lutron: Hi-Lume 3D
	21W	39W	25W		
	28W	54W	32W	277V	
		80W			
DMA	14W	24W	17W	120V	Lutron : EcoSystem
	21W	39W	25W		
	28W	54W	32W	277V	
		80W			
DM 10 (2-wire)		24W	17W	120V	Advance: Mark 10
		54W	25W	277V	
			32W		
DM (Non-Standard Driver)	Please specify Lamping			Please specify manufacturer and model number	

EM Stand-by Battery Packs

Selux only uses name-brand, UL-listed fluorescent EM ballasts that in the event of a power failure, operates one of the existing lamps for 90 minutes. Comes with original manufacturer 5-year warranty. For wiring and maintenance information, please consult factory.



	EM1	EM2	EM3
Lumen Output	500 Lm (1 lamp)	825 Lm (1 lamp)	1300 Lm (1 lamp)
Lamps Operated	Most 2'-4' T5, up to 28W or T8 linear fluorescent lamps	Most 2'-4' T5, 17-40W T8, and most HO linear fluorescent lamps	Most 2'-4' T5, up to 28W or T8 linear fluorescent lamps
Operation Time	90 min.	90 min.	90 min.
Input Voltage	120/277V, 60Hz	120/277V 60Hz	120/277V 60Hz
Average Lumen Ratings			
21W T5	425	500	850
28W T5	500	800	1200
39W T5HO	n/a	700	1100
54W T5HO	n/a	825	1300
F25 T8	360	650	950
F28 T8	380	630	990
F32 T8	425	700	1100