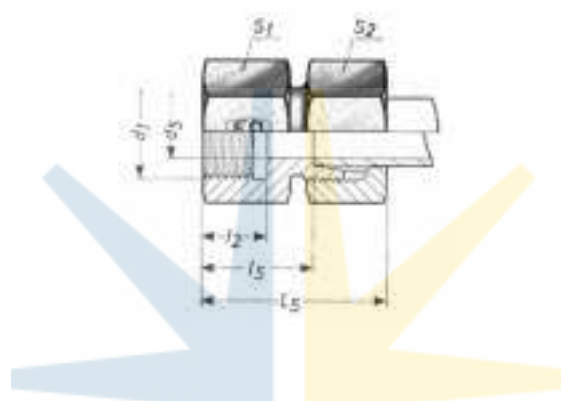




ERMETO ORIGINAL

GAI - Straight Female Stud Fittings

Female thread: BSP



P
A
G
E

Series	Tube o.d.	Connection BSP thread d ₁	d ₅	L ₅	l ₅	t ₂	S ₁	S ₂	Part No.	kg per 100pcs.		
										steel	brass	stainless steel
L light PN 315	6	G 1/8	4	34	19	12	14	14	GAI 6-PLR	2,9	(3,1)	2,9
	8	G 1/4	6	39	24	17	19	17	GAI 8-PLR	5,5	(5,8)	5,5
	8	G 3/8	6	40	25	17	24	17	GAI 8-PL/R 3/8	7,7	(8,1)	(7,7)
	8	G 1/2	6	44	29	20	27	17	GAI 8-PL/R 1/2	9,6	(10,2)	(9,6)
	10	G 1/4	8	40	25	17	19	19	GAI 10-PLR	6,0	(6,3)	6,0
	10	G 3/8	8	41	26	17	24	19	GAI 10-PL/R 3/8	8,3	(8,8)	(8,3)
	10	G 1/2	8	45	30	20	27	19	GAI 10-PL/R 1/2	10,0	(10,6)	(10,0)
	12	G 3/8	10	41	26	17	24	22	GAI 12-PLR	9,1	(9,6)	9,1
	12	G 1/2	10	45	30	20	27	22	GAI 12-PL/R 1/2	10,6	(11,2)	(10,6)
	15	G 1/2	12	46	31	20	27	27	GAI 15-PLR	13,1	(13,9)	13,1
18	G 1/2	15	47	30,5	20	27	32	GAI 18-PLR	15,2	(16,1)	15,2	
PN 160	22	G 3/4	19	52	35,5	22	36	36	GAI 22-PLR	25,9	(27,4)	25,9
	28	G 1	24	55	38	24,5	41	41	GAI 28-PLR	31,1	(32,9)	(31,1)
	35	G 1 1/4	30	63	41	26,5	55	50	GAI 35-PLR	61,6	(65,1)	(61,1)
	42	G 1 1/2	36	65	42,5	28,5	60	60	GAI 42-PLR	75,3	(79,6)	(75,3)

Dimensions given approx. figures with tightened nut.

Part numbers given refer to completely assembled steel parts. If other materials are requested, add suffix "/MS" for brass or "/71" for stainless steel to part number given.

Parts **not** in the standard range are marked with weights in brackets, example:- (0,2).

BACK TO

PLEASE SEE FOLLOWING PAGES FOR FURTHER DETAILS

CATALOGUE