

LUMENTON®
L I G H T I N G



ARCHITECTURAL POLES

T A B L E O F C O N T E N T S

ARCHITECTURAL POLES & ACCESSORIES

For Pole Top Fixtures, Above Grade Fixtures (AG500 & AG800 Series, etc) and Pier Mount Fixture.

The poles listed below are the most commonly available types and sizes. For other poles types (decorative, etc.), sizes, and/or accessories not listed below please contact factory.

Selecting a Pole	P4.3
Pole Design Guidelines	P4.4
Wind Velocity Map	P4.5
Aluminum Poles (POA)	
<input type="radio"/> POATFS Series: Round Tapered, Fixed Base, 4 bolt (8' - 20')	P4.6 / P4.7
<input type="radio"/> POARFS Series: Round Straight, Fixed Base, 4 bolt (8' - 25')	P4.8 / P4.9
<input type="checkbox"/> POAQF Series: Square Straight, Fixed Base, 4 bolt (8' - 25')	P4.10 / P4.11
<input type="radio"/> POATH Series: Round Tapered, Hinged Base, 4 bolt (8' - 20')	P4.12 / P4.13
<input type="radio"/> POARH01 Series: Round Straight, Hinged Base, 4 bolt (8' - 20')	P4.14 / P4.15
<input type="checkbox"/> POAQH Series: Square Straight, Hinged Base, 4 bolt (8' - 20')	P4.16 / P4.17
<input type="radio"/> POAT01 Series: Round Tapered, Embedded (Direct Burial) (8' - 30')	P4.18 / P4.19
Steel Poles (POS)	
Standard (Max. Wt. 125 LBS)	
<input type="radio"/> POST02 Series: Round Tapered, Fixed Triangular Base, 3 bolt (10' - 20')	P4.20 / P4.21
<input type="radio"/> POST01 Series: Round Tapered, Embedded (Direct Burial) (10' - 20')	P4.22 / P4.23
Heavy Duty (+125 LBS)	
<input type="radio"/> POSTF Series: Round Tapered, Fixed Base, 4 bolt (10' - 25')	P4.24 / P4.25
<input type="radio"/> POSRF Series: Round Straight, Fixed Base, 4 bolt (10' - 20')	P4.26 / P4.27
<input type="checkbox"/> POSQF Series: Square Straight, Fixed Base, 4 bolt (Fatigue Resistant) (10' - 25')	P4.28 / P4.29
Accessories	
Round Bullhorn Bracket	P4.30
Square Bullhorn bracket	P4.31
Wall Arms, Adapters, Bases & Aluminum Arms	P4.32
Work Sheet - Custom Aluminum Pole Tenon Request Form	P4.33
Work Sheet - Custom Banner Arms Request Form	P4.34
Notes	P4.35

Selecting a Pole

Four factors are essential to selecting the optimum pole.

They are 1) Mounting Height, 2) Effective Projected Area (E.P.A.) of all the equipment on a pole, 3) Weight (Wt), and 4) Wind Area (at job site location) (see bottom of the page for detailed descriptions of these 4 term). With these four items known one can select an optimum pole (See below example).

NOTE: If the pole is to be mounted above grade level, contact factory for custom loading analysis.

(1) The EPA and Weight of your equipment to be mounted on a pole must not exceed the pole's luminaire weight and EPA rating found in this catalog.

EXAMPLE . Selecting a Pole (Your requirements may differ)

First find your four requirements: (EXAMPLE IN BOLD).

- 1) Your example mounting Height: **18 ft** (determind by lighting requirements).
- 2) Calculate the total E.P.A. (in square feet) of equipment luminaires, flood lights, arms, etc.) to be used on the pole: Total EPA : **2.0 ft²** or **9.5 ft²** (see example work see #1 or 2 right).
- 3) Calculate the total weight of equipment luminaires, flood lights, arms, etc.) to be used on the pole: Total Weight : **32 LBS** or **73 LBS** (see example work see #1 or 2 right).
- 4) Wind Velocity at the job site : **80 MPH**

Second select a pole:

1) Select a pole using the Lumenton pole catalog with the above criteria, using the above requirements of the total EPA and weight of your equipment **. Make sure you know the Pole Top tenon size needed on the pole and you know the pole powder coat finish. (for this example see work sheet at right and also pole catalog and example pole at lower right).

2) Note your optimum pole selection; Cat # POARH/6060C/18/3030/B (page P4.14 / P4.15). An 18' Round Straight, Hinged, 6" OD and with a 3" OD x 3" long tenon.

3) Check to make sure that the EPA and Weight of your equipment (see above example work sheet #1 and #2 right circled) to be mounted on a pole (see example work sheet right circled) must not exceed the pole's luminaire weight and EPA rating found in this catalog (see pole example at right circled). If it does, select another pole that meets your requirements.

NOTE:

1) Pole example (see right) partial chart taken from the Lumenton Catalog.

** The EPA and Weight of your equipment to be mounted on a pole must not exceed the pole's luminaire weight and EPA rating found in this catalog.

Example	Equipment on pole	Calculations	S. Total EPA (Sq. Ft.) & Wt	
			Weight (LBS)	EPA (Sq. Ft.)
# 1	One PT945 fixture only (1) PT945, EPA: 2.0, Wt: 32LBS	(32 lbs x 1, 2.0 EPA x 1)	32	2.0
Total			32 Lbs	2.0 ft²
Example	Equipment on pole	Calculations	S. Total EPA (Sq. Ft.) & Wt	
# 2	Two PT945 fixtures on pole with brackets etc... (2) PT945, EPA: 2.0, Wt: 32LBS, 2.0 ft ² EPA	(32 lbs x 2, 2.0 ft ² EPA x 2)	64	4.0 ft ²
	(1) Double arm bracket (EPA: 5.3, Wt: 9lbs)	(5.3 EPA x 1, 9 lbs x 1)	9	5.3 ft ²
Total			73 Lbs	9.5 ft²

(Pole or Tenon size for PT945 is 3" OD pole or 3" OD x 3" long tenon (/3030/))

Pole Example: Partial chart taken from Lumenton pole catalog page P4.15 (See pages P4.14 / P4.15 for complete pole information)

POLE (POARH) Aluminum, Round Straight, Hinged (4 bolt)

Catalog Numbers	Pole Information				Typical Weight and Allowable Sizes of Luminaires				
	Dimensions and Weight				Luminaire Info.		Effective Projected Area In Square Feet At:		
	Pole Ht.	Top Dia.	Base Dia. (G)	Wall Thk.	Nom. Mtg. Ht.	Typ. Lum. Wt. (LBS)	70 MPH	80 MPH	90 MPH
POARH/5050A/14/	14'	5"	5"	.125"	14'	50	11.3	8.1	6.2
POARH/5050C/16/	16'	5"	5"	.188"	16'	50	14.4	10.4	8.0
POARH/6060C/18/	18'	6"	6"	.188"	18'	75	18.8	14.1	10.9
POARH/6060C/20/	20'	6"	6"	.188"	20'	75	15.7	11.7	9.0

Pole Selection Detailed Descriptions.

1) **Mounting Height** : Is determined by the type and numbers of luminaires, floodlights, accessories, etc. required to product the specified minimum foot candles and acceptable distribution patterns.

2) **Effective Projected Area (E.P.A.)** (1) : Is determined by multiplying the total number of square feet in surface area of all of the equipment (luminaire, brackets, arms, etc.) mounted on the pole that is silhouetted against the force of the wind by a drag coefficient. If each equipment already has an E.P.A. (Sq. Ft.) specified then addition of all the equipment(s) E.P.A. may just be needed to find the total E.P.A. per pole (see below examples).

3) **Weight** (1) : Is the total weight of all equipment (luminaires, brackets, arms, accessories, etc.) that is to be mounted on and supported by the pole.

4) **Wind Area (at job site location)** : Refers to the wind velocity map. This is a 50 year mean recurrence interval map. The wind values found on the map represent wind velocities 30 feet above the ground. Each pole in this catalog has been designed to support the listed E.P.A. and weight load silhouetted to the force of the wind velocities listed. The design is based on a 1.3 gust factor.

The wind velocity map found in this catalog (Page P4.5) is intended as a general guide only. Check your local area for unique wind conditions, consult local engineering standards, engineers, etc. to determine the exact wind loading conditions for your application.

NOTE: If the pole is to be mounted above grade level, contact factory for custom loading analysis.

(1) The EPA and Weight of your equipment to be mounted on a pole must not exceed the pole's luminaire weight and EPA rating found in this catalog.

2011.10.18



Pole Design Guidelines

VIBRATION

Many factors may contribute to the development of a vibration problem. It is not, however the result of defective material or poor workmanship and therefore is not covered by the Lumenton warranty.

Lumenton recommends that VIBRATION DAMPENERS BE SPECIFIED when any of the following conditions exist:

- A) Poles will be installed on a:
 - Bridge Structure
 - Parking Ramp Structure
 - Airport Location
- B) Poles are going to a:
 - Project with a history of vibration problems
- C) Poles will have an:
 - E.P.A. load of 0.5 or smaller (Aluminum Poles only)
 - When specified for steel pole please make sure that tops of poles are 3 1/2" O.D. or larger.
- D) Poles will be installed in a:
 - Special Wind Region (as shown on the Wind Velocity Map on page P4.5). Check your local area for unique wind conditions and/or consult local engineering standards (engineers, etc.) to determine the exact wind loading conditions for your application.)
 - Camera Support Poles
May also qualify for dampeners:
 - Several non-lighting types of poles and some other types of special-use poles.
(Please inquire about non-standard applications and products.)

TENONS AND MULTIPLE LUMINAIRE MOUNTING

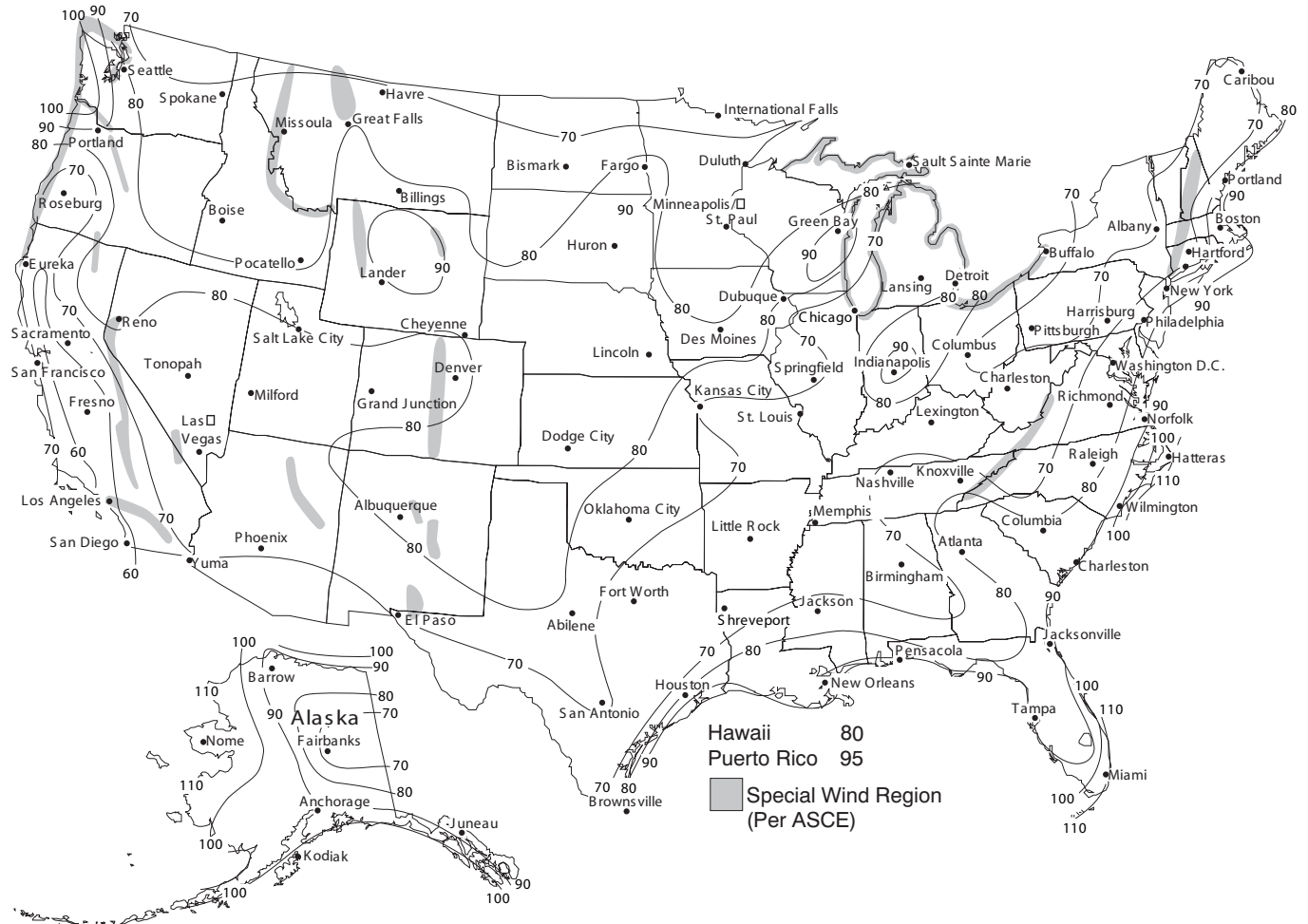
When ordering aluminum poles with tenons for multiple luminaire mounting the following should be followed:

- Tenons are designed for single luminaire mounting. When eccentric loads or multiple luminaires mounting is required please fill out the bracket work sheet (page P4.33), for each type of multiple mounting configuration, with the pole, bracket luminaire information and fax it back to Lumeton for evaluation.

CUSTOM BANNER ARMS (page P4.34)

Pole E.P.A. and Technical Date has not been calculated for Custom Banner Arms. Please fill out the work sheet on page P4.34 and send back to Lumenton for evaluation when ordering a pole with custom banner arms.

Wind Velocity Map

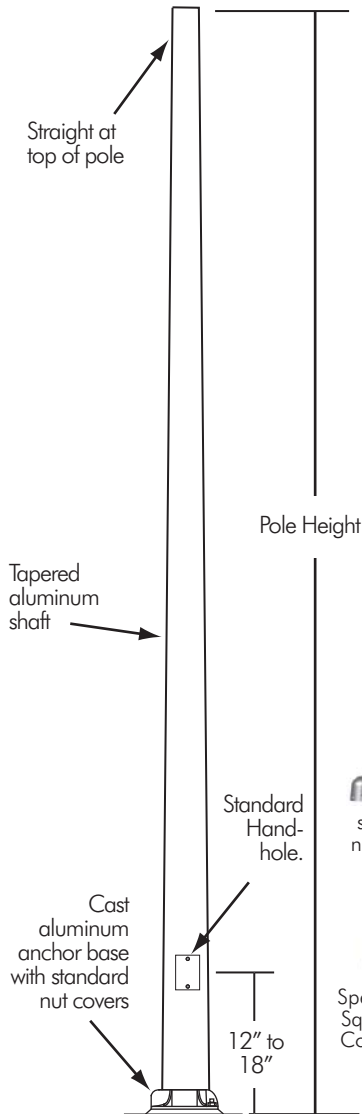


Notes:

1. Values are based on annual extreme-mile 30 feet above ground. And 50 year mean recurrence interval for United States.
2. Caution is advised in using wind velocity contours in special wind areas such as mountainous areas and areas around the Great Lakes.
3. Locations lying between isotach lines should be rated at the higher of the two wind speeds.
4. Hawaii has an 80 mph wind velocity
5. This map is intended as a general guide only. Check your local area for unique wind conditions and/or consult local engineering standards (engineers, etc.) to determine the exact wind loading conditions for your application.

POATFS Poles

Aluminum Round Tapered, Fixed Base, 4 Bolt (8' - 20')



Features:

- Aluminum Round Tapered Fixed Base Pole: 4" O.D., 4.5" O.D., 5" O.D., 6" O.D. (ii).
- 8' to 20' Mounting Height (ii).
- For single or multiple luminaire mounting.
Luminaires/Flood Lights may be mounted on pole tenons or bracket accessories (order separately)
- Tenons: Luminaire may be mounted on tenon or open pole top.

Specifications

Shaft: Extruded straight seamless alloy aluminum.

Pole Top: An open pole top or tenon is provided for top mount luminaires (specify) and/or brackets. A removable pole cap is available for poles receiving drilling patterns for side-mount luminaires arm assemblies.

Anchor Base: Cast A356 alloy aluminum (heat treated to T6 with complete assembly), inserted and welded inside the bottom of the shaft. Includes standard nut covers or optional 2 piece cast aluminum square base covers with stainless steel hardware (special order, specify "SQB" in catalog number). Installs on existing poles.

Handhole: A standard covered handholes (specify code "S" in part number) located 12" to 18" centered from the bottom of the pole with hardware and ground provisions are provided (sizes below). For a custom reinforced handhole (i) (replace "S" with "R" in catalog number, example: POATFR/...) and consult factory for availability.

- Handholes, Standard: 2" x 4" x 12" high (4", 4 1/2", 5" dia. base poles), & 2" x 4" x 18" high (6" dia. base poles).
- Handholes, Reinforced (i) : 2 3/8" x 4" x 18" High (4" dia. pole), 3" x 5" x 18" high (4 1/2" & 5" dia base poles), & 3 1/2" x 5" x 18" high (6" dia. base poles).



Anchor Bolts (iii): 4 steel hot dip galvanized anchor bolts with two hex nuts and two flat washers sized to match the anchor bolt. Anchor Bolts are "L" shaped and are galvanized a minimum of 12" on the threaded end.

Finish: Polyester powder coat. Standard colors in Black (B), White (W), Natural (N) and Architectural Bronze (AB) that closely match Pole Top fixtures, Above Grade fixtures, and accessories. Custom colors available upon request. Supply two (2) samples.

Notes:

- (i) Custom Product: Not a standard option. Please consult factory for availability and specify when ordering (Replace "S" with "R" in catalog number in TABLE I next page, example: POATFR/...).
- (ii) See next page (TABLE I) for the most common available heights and pole sizes. Other pole heights, pole sizes with EPA's available (consult factory).
- (iii) Please specify (at time of pole order) if pole anchor bolts and templates need to be shipped prior to the pole being shipped.

Catalog Code:

Pole Type	Handhole	Pole Diameter (Top & Bottom)	Wall Thk.	Pole Height	Tenon (O. D. / Length)	Optional Square Base	Finish
POATF = Aluminum Round Tapered Fixed Base, 4 Bolt Pole		See next page (TABLE I) for the most common available pole sizes. For additional pole heights and sizes consult factory (ii).			Select your 4 number Tenon Code (open or O.D. and Length) based on your Lumenton Pole Top fixture. See next page (at bottom) for information.		B = Black W = White N = Natural AB = Architectural Bronze (for custom colors please specify)
S = Standard Handhole (Standard Pole) See next page (TABLE I) R = Reinforced Handhole (i) (Custom.Consult Factory for Availability) (Replace "S" with "R" in catalog number in TABLE I next page)							

LEAVE BLANK = Nut Covers (Standard Pole).
SQB = Square 2 piece Base Cover (optional).

Catalog Example:

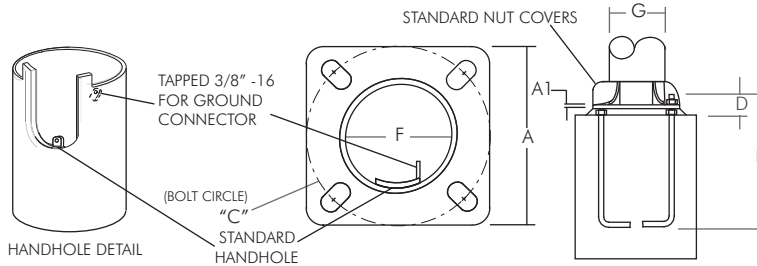
POATFS/3050A/12/3030/B

Pole, Aluminum Round Tapered Standard Handhole, Fixed Base, 3" O.D. Top x 5" O.D. Bottom x .125" wall, 12 FT High, with 3" OD x 3" L Tenon, Nut Covers, Color: Black.

POATFS Poles

Pole EPA and Technical Data

TABLE I Pole information (most common pole sizes, weights, and EPA. For other pole sizes consult factory.)



EFFECTIVE PROJECTED AREA (EPA) , DIMENSIONAL AND LOAD CHART

Catalog Numbers (1) (3) (w/ standard handhole)	Pole Information (1) (2)											Typical Weight and Allowable Sizes of Luminaires (1) (2)						
	Dimensions and Weight					Base Dim.		Anchor Base and Opening Details				Luminaire Info. MAX. Effective Projected Area (EPA) In Square Foot At:						
	Pole Ht. (Ft)	Top Dia.	Base Dia. (C)	Wall Thk. (IN)	Pole Wt. (LBS)	Squ. Base Size (A)	Base Thk. (A1) (IN)	Bolt Circle (C)	Bolt Proj. (D)	Anchor Bolts (Dia. x L x Hook) (E)	Conduit Opening (F)	Nom. Mtg. Ht. (Ft)	Lum Max. Wt. (LBS)	70 MPH w/ 1.3 GUST	80 MPH w/ 1.3 GUST	90 MPH w/ 1.3 GUST	100 MPH w/ 1.3 GUST	110 MPH w/ 1.3 GUST
POATFS/3040A/08/	7' 8"	3"	4"	.125"	17	8.91"	0.63"	7.5" +/- 0.75"	3.25"	.75" x 17" x 3"	3 3/4"	8'	75	11.3	8.5	6.5	5.1	4.1
POATFS/3040A/10/	9' 8"	3"	4"	.125"	20	8.91"	0.63"	7.5" +/- 0.75"	3.25"	.75" x 17" x 3"	3 3/4"	10'	75	8.7	6.4	4.8	3.7	2.9
POATFS/3050A/10/	9' 8"	3"	5"	.125"	24	9.61"	0.63"	8.63" +/- 0.88"	3.25"	.75" x 17" x 3"	4 1/2"	10'	75	16.4	12.3	9.5	7.5	6.1
POATFS/3040A/12/	11' 8"	3"	4"	.125"	23	8.91"	0.63"	7.5" +/- 0.75"	3.25"	.75" x 17" x 3"	3 3/4"	12'	75	6.7	4.8	3.5	2.6	1.9
POATFS/3050A/12/	11' 8"	3"	5"	.125"	26	9.61"	0.63"	8.63" +/- 0.88"	3.25"	.75" x 17" x 3"	4 1/2"	12'	75	13.3	9.8	7.4	5.8	4.6
POATFS/3040A/14/	13' 8"	3"	4"	.125"	27	8.91"	0.63"	7.5" +/- 0.75"	3.25"	.75" x 17" x 3"	3 3/4"	14'	75	5.2	3.5	2.4	1.6	1.1
POATFS/3050B/14/	13' 8"	3"	5"	.156"	37	9.61"	0.63"	8.63" +/- 0.88"	3.25"	.75" x 17" x 3"	4 1/2"	14'	75	13.7	10.0	7.5	5.8	4.6
POATFS/3040A/16/	15' 8"	3"	4"	.125"	30	8.91"	0.63"	7.5" +/- 0.75"	3.25"	.75" x 17" x 3"	3 3/4"	16'	75	3.8	2.4	1.5	0.8	0.4
POATFS/3050B/16/	15' 8"	3"	5"	.156"	42	9.61"	0.63"	8.63" +/- 0.88"	3.25"	.75" x 17" x 3"	4 1/2"	16'	75	10.9	7.8	5.8	4.4	3.4
POATFS/3050A/18/	17' 8"	3"	5"	.125"	40	9.61"	0.63"	8.63" +/- 0.88"	3.25"	.75" x 17" x 3"	4 1/2"	18'	100	6.5	4.4	3.1	2.2	1.5
POATFS/4060B/18/	17' 8"	4"	6"	.156"	59	10.32"	0.63"	9.5" +/- 0.75"	3.50"	.75" x 17" x 3"	5 1/2"	18'	100	15.4	11.3	8.6	6.8	5.5
POATFS/3050C/20/	19' 8"	3"	5"	.188"	60	9.61"	0.63"	8.63" +/- 0.88"	3.25"	.75" x 17" x 3"	4 1/2"	20'	100	8.8	6.1	4.3	3.1	2.3
POATFS/4060C/20/	19' 8"	4"	6"	.188"	74	10.32"	0.63"	9.5" +/- 0.75"	3.50"	.75" x 17" x 3"	5 1/2"	20'	100	15.8	11.4	8.6	6.8	5.4

(1) EPA represents the Effective Projected Area of each Luminaire. Designs are limited to top mount or side mount luminaires. Satisfactory performance of poles is dependent upon the pole being properly attached to a supporting foundation of adequate design. Consult your local civil engineer and/or structural engineer, etc. for adequate design. Additional pole heights and sizes available with different EPA (Consult factory).

(2) Pole weight is a nominal value which includes the pole shaft and base plate.

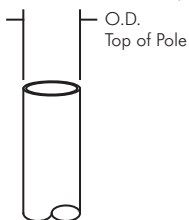
(3) Catalog numbers are with standard handholes and do not include tenon option (see below), finish and/or optional square base cover (SQB). Custom reinforced handholes (Replace "S" in catalog number with "R" in catalog number, example: POARFR/...) are ordered separately (contact factory for availability).

Tenon Codes:

Tenons are designed for single luminaire mounting. When eccentric loads or multiple luminaires mounting is required, contact factory for evaluation.

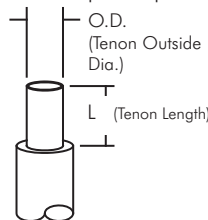
Select your Open Pole or Tenon O.D. and Length code based on your Lumenton fixture.

A) Use "0000" code for no tenon on pole (see below) when pole top fixture fitting is the same size as the top of the pole and fits over the pole.



- No Tenon - (Open Pole)

OR B) Select a 4 number Tenon code that fits your pole top fixture fitting using Table II below when pole top fixture fitting is smaller than the top of a pole.



for Tenon O.D. & Lengths codes

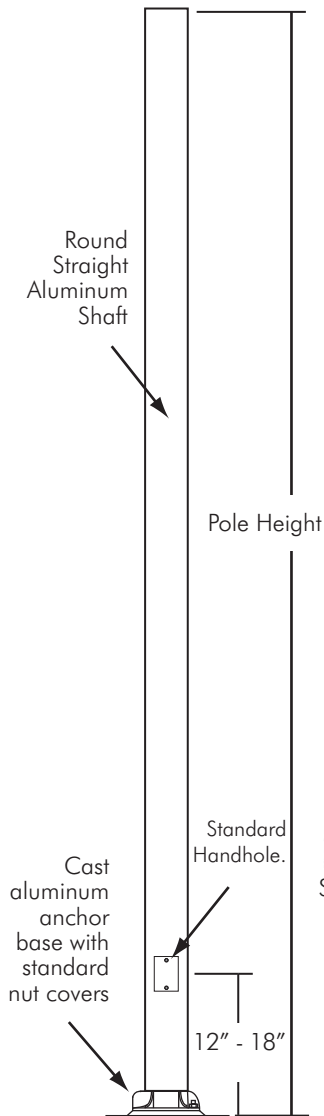
Table II (Tenon O.D. and Length Code)

O.D. (Tenon Outside Dia.)	L (Tenon Length)
24 = Ø 2 3/8" O.D.	3" L to 9 1/2" Long (1/2" Increments)
30 = Ø 3" O.D.	10" and Longer (1/2" Increments)
Some Common Tenon codes below:	
2430 (Ø 2 3/8" O.D. x 3" Long)	35 = 3 1/2" Long
3030 (Ø 3" O.D. x 3" Long)	40 = 4" Long
3045 (Ø 3" O.D. x 4 1/2" Long)	45 = 4 1/2" Long
etc ...	50 = 5" Long
3050 (Ø 3" O.D. x 5" Long)	55 = 5 1/2" Long
3010 (Ø 3" O.D. x 10" Long)	etc ...
	10 = 10" Long
	11 = 11" Long
	12 = 12" Long
	13 = 13" Long
	etc ...
	90 = 9" Long
	95 = 9 1/2" Long

2015.4.20

POARFS Poles

Aluminum Round Straight, Fixed Base, 4 Bolt (8' - 25')



Features:

- Aluminum Round Straight Fixed Base Pole: 4" O.D., 4.5" O.D., 5" O.D., 6" O.D. (ii).
- 8' to 25' Mounting Height (ii).
- For single or multiple luminaire mounting.
- Luminaires/Flood Lights may be mounted on tenons or bracket accessories
- Tenons: Luminaire may be mounted on tenon or open pole top.

Specifications:

Shaft: Extruded straight seamless alloy aluminum.

Pole Top: An open pole top or tenon is provided for top mount luminaires (specify) and/or brackets. A removable pole cap is available for poles receiving drilling patterns for side-mount luminaires arm assemblies.

Anchor Base: Cast A356 alloy aluminum (heat treated to T6 with complete assembly), inserted and welded inside the bottom of the shaft. Includes standard nut covers or optional 2 piece cast aluminum square base covers with stainless steel hardware (special order, specify "SQB" in catalog number). Installs on existing poles.

Handhole: A standard covered handholes (specify code "S" in part number) located 12" to 18" centered from the bottom of the pole and ground provisions are provided. For a custom reinforced handhole (i) (replace "S" with "R" in catalog number, example: POARFR/...) consult factory for availability.

Anchor Bolts (iii): 4 steel hot dip galvanized anchor bolts with two hex nuts and two flat washers sized to match the anchor bolt. Anchor Bolts are "L" shaped and are galvanized a minimum of 12" on the threaded end.

Finish: Polyester powder coat. Standard colors in Black (B), White (W), Natural (N) and Architectural Bronze (AB) that closely match Pole Top fixtures, Above Grade fixtures, and accessories. Custom colors available upon request. Supply two (2) samples.



Standard nut covers



Special order Square Base Cover (SQB)

Notes:

(i) Custom Product: Not a standard option. Please consult factory for availability and specify when ordering (Replace "S" with "R" in catalog number in TABLE I next page, example: POARFR/...).

(ii) See next page (TABLE I) for the most common available heights and pole sizes. Other pole heights and pole sizes available (consult factory) and please specify your pole requirements: pole height, outside diameter (see above) and wall thickness (.125" wall, .156" wall or .188" wall), and pole quantity. Also include job site wind speed and job site name, city and zip code as well as the Lumenton pole top catalog number (or another pole top with EPA and weight and/or any accessories) used on the pole (example: 25 each, POARFS, 10ft high, 4-1/2" OD with .125 wall, 70 MPH wind speed, for Culver City Park job in Los Angeles, CA 90016 for PT925).

(iii) Please specify (at time of pole order) if pole anchor bolts and templates need to be shipped prior to the pole being shipped.

Catalog Code:

Pole Type	Handhole	Pole Diameter (Top & Bottom)	Wall Thk. / Pole Height	Tenon (O. D. / Length)	Optional Square Base	Finish
POARF = Aluminum Round Straight Fixed Base, 4 Bolt Pole		See next page (TABLE I) for the most common available pole sizes. For additional pole heights and sizes consult factory (see note ii).		Select your 4 number Tenon Code (open or O.D. and Length) based on your Lumenton Pole Top fixture. See next page (at bottom) for information.		B = Black W = White N = Natural AB = Architectural Bronze (for custom colors please specify)
S = Standard Handhole (Standard Pole) See next page (TABLE I) R = Reinforced Handhole (i) (Custom. Consult Factory for Availability) (Replace "S" with "R" in catalog number in TABLE I next page)						

LEAVE BLANK = Nut Covers (Standard Pole).

SQB = Square 2 piece Base Cover (optional).

Catalog Example:

POARFS/4040A/12/3030/B

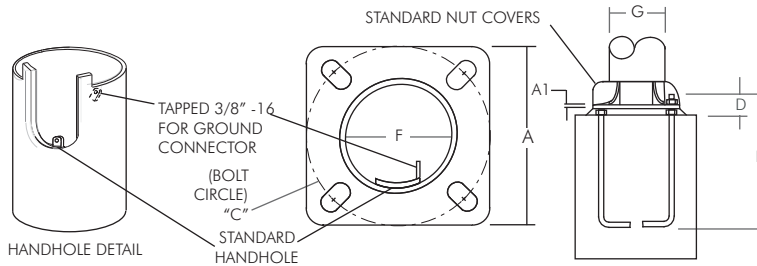
Pole, Aluminum Round Straight Fixed Base, Standard Handhole, 4" O.D. Top x 4" O.D. Bottom x .125" wall, 12 FT High, with 3" OD x 3" L Tenon, Nut Covers, Color: Black

POARFS Poles

Pole EPA and Technical Data

TABLE I

Pole information (most common pole sizes, weights, and EPA. For other pole sizes consult factory)



EFFECTIVE PROJECTED AREA (EPA), DIMENSIONAL AND LOAD CHART

Catalog Numbers (1) (3) (w/ standard handhole)	Pole Information (1) (2)											Typical Weight and Allowable Sizes of Luminaires (1) (2)						
	Dimensions and Weight				Base Dim.		Anchor Base and Opening Details					Luminaire Info.		MAX. Effective Projected Area (EPA) In Square Foot At:				
	Pole Ht. (Ft)	Top Dia.	Base Dia. (G)	Wall Thk.	Pole Wt. (2) (LBS)	Squ. Base Size (A)	Base Thk. (A1) (IN)	Bolt Circle (C)	Bolt Proj. (D)	Anchor Bolts (Dia. x L x Hook) (E)	Conduit Opening (F)	Nom. Mtg. Ht. (Ft)	Lum. Max. Wt. (LBS)	70 MPH w/ 1.3 GUST	80 MPH w/ 1.3 GUST	90 MPH w/ 1.3 GUST	100 MPH w/ 1.3 GUST	110 MPH w/ 1.3 GUST
POARFS/4040A/08/	8'	4"	4"	.125"	19	8.91"	0.63"	7.5" +/- 0.75"	3.25"	.75" x 17" x 3"	3 3/4"	8'	75	10.7	7.9	6.0	4.7	3.9
POARFS/4040A/10/	10'	4"	4"	.125"	22	8.91"	0.63"	7.5" +/- 0.75"	3.25"	.75" x 17" x 3"	3 3/4"	10'	75	8.1	5.9	4.3	3.3	2.7
POARFS/4545C/10/	10'	4 1/2"	4 1/2"	.188"	35	9.26"	0.63"	7.84" +/- 0.78"	3.25"	.75" x 17" x 3"	4 1/8"	10'	100	17.3	12.8	9.9	7.9	6.5
POARFS/4040A/12/	12'	4"	4"	.125"	26	8.91"	0.63"	7.5" +/- 0.75"	3.25"	.75" x 17" x 3"	3 3/4"	12'	75	6.2	4.3	3.0	2.2	1.7
POARFS/5050A/12/	12'	5"	5"	.125"	32	9.61"	0.63"	8.63" +/- 0.88"	3.25"	.75" x 17" x 3"	4 1/2"	12'	100	12.2	9.0	6.9	5.5	4.4
POARFS/4040A/14/	14'	4"	4"	.125"	30	8.91"	0.63"	7.5" +/- 0.75"	3.25"	.75" x 17" x 3"	3 3/4"	14'	100	4.6	3.0	1.9	1.2	0.9
POARFS/5050B/14/	14'	5"	5"	.156"	44	9.61"	0.63"	8.63" +/- 0.88"	3.25"	.75" x 17" x 3"	4 1/2"	14'	100	12.5	9.1	7.0	5.5	4.4
POARFS/4545A/16/	16'	4 1/2"	4 1/2"	.125"	37	8.91"	0.63"	7.84" +/- 0.78"	3.25"	.75" x 17" x 3"	4 1/8"	16'	100	5.1	3.3	2.2	1.6	1.2
POARFS/4545C/16/	16'	4 1/2"	4 1/2"	.188"	53	9.26"	0.63"	7.84" +/- 0.78"	3.25"	.75" x 17" x 3"	4 1/8"	16'	100	8.7	6.0	4.3	3.4	2.6
POARFS/5050B/16/	16'	5"	5"	.156"	50	9.61"	0.63"	8.63" +/- 0.88"	3.25"	.75" x 17" x 3"	4 1/2"	16'	100	9.8	6.9	5.3	4.1	3.3
POARFS/4545C/18/	18'	4 1/2"	4 1/2"	.188"	59	9.26"	0.63"	7.84" +/- 0.78"	3.25"	.75" x 17" x 3"	4 1/8"	18'	100	6.7	4.5	3.1	2.3	1.8
POARFS/5050C/18/	18'	5"	5"	.188"	65	9.61"	0.63"	8.63" +/- 0.88"	3.25"	.75" x 17" x 3"	4 1/2"	18'	100	9.7	6.8	5.1	4.0	3.1
POARFS/6060C/18/	18'	6"	6"	.188"	78	10.32"	0.63"	9.50" +/- 0.75"	3.25"	.75" x 17" x 3"	5 1/2"	18'	100	18.0	13.5	10.5	8.3	6.7
POARFS/4545C/20/	20'	4 1/2"	4 1/2"	.188"	64	9.26"	0.63"	7.84" +/- 0.78"	3.25"	.75" x 17" x 3"	4 1/8"	20'	100	5.1	3.2	2.0	1.4	1.0
POARFS/5050A/20/	20'	5"	5"	.125"	50	9.61"	0.63"	8.63" +/- 0.88"	3.25"	.75" x 17" x 3"	4 1/2"	20'	100	4.1	2.4	1.7	1.2	0.8
POARFS/5050C/20/	20'	5"	5"	.188"	72	9.61"	0.63"	8.63" +/- 0.88"	3.25"	.75" x 17" x 3"	4 1/2"	20'	100	7.6	5.2	3.8	2.9	2.2
POARFS/6060C/20/	20'	6"	6"	.188"	86	10.32"	0.63"	9.50" +/- 0.75"	3.50"	.75" x 17" x 3"	5 1/2"	20'	100	14.9	11.1	8.5	6.7	5.4
POARFS/6060C/25/	25'	6"	6"	.188"	106	10.32"	0.63"	9.50" +/- 0.75"	3.50"	.75" x 17" x 3"	5 1/2"	25'	100	9.1	6.6	4.9	3.8	2.9

(1) EPA represents the Effective Projected Area of each Luminaire. Designs are limited to top mount or side mount luminaires. Satisfactory performance of poles is dependent upon the pole being properly attached to a supporting foundation of adequate design. Consult your local civil engineer and/or structural engineer, etc. for adequate design. Additional pole heights and sizes available with different EPA (see note "ii" previous page and Consult factory).

(2) Pole weight is a nominal value which includes the pole shaft and base plate.

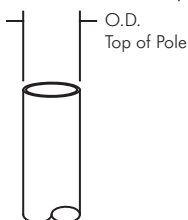
(3) Catalog numbers are with standard handholes and do not include tenon option (see below), finish and/or optional square base cover (SQB). Custom reinforced handholes (Replace "S" in catalog number with "R" in catalog number, example: POARFR/...) are ordered separately (contact factory for availability).

Tenon Codes:

Tenons are designed for single luminaire mounting. When eccentric loads or multiple luminaires mounting is required, contact factory for evaluation.

Select your Open Pole or Tenon O.D. and Length code based on your Lumenton fixture.

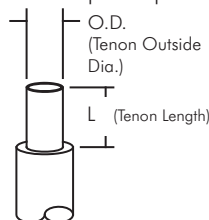
A) Use "0000" code for no tenon on pole (see below) when pole top fixture fitting is the same size as the top of the pole and fits over the pole.



0000

- No Tenon - (Open Pole)

OR B) Select a 4 number Tenon code that fits your pole top fixture fitting using Table II below when pole top fixture fitting is smaller than the top of a pole.



See Table II

for Tenon O.D. & Lengths codes

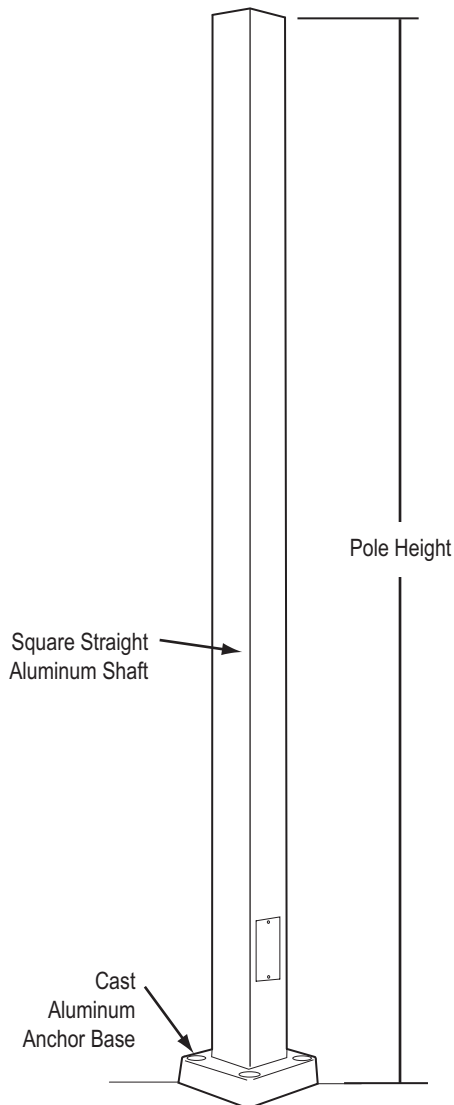
Table II (Tenon O.D. and Length Code)

O.D. (Tenon Outside Dia.)	L (Tenon Length)
24 = Ø 2 3/8" O.D. 30 = Ø 3" O.D.	3" L to 9 1/2" Long (1/2" Increments) 10" and Longer (1/2" Increments)
Some Common Tenon codes below: Tenon Codes (Tenon Sizes) 2430 (Ø 2 3/8" O.D. x 3" Long) 3030 (Ø 3" O.D. x 3" Long) 3045 (Ø 3" O.D. x 4 1/2" Long) etc ... 3050 (Ø 3" O.D. x 5" Long) 3010 (Ø 3" O.D. x 10" Long)	10 = 10" Long 11 = 11" Long 12 = 12" Long 13 = 13" Long etc ... 90 = 9" Long 95 = 9 1/2" Long

2014.1.10

POLE (POAQF)

Aluminum Square Straight, Fixed Base, 4 bolt (8' - 25')



Features:

- Aluminum Square Straight Fixed Base Pole: 4" O.D., 5" O.D., 6" O.D.
- 8' to 25' Mounting Height **.
- For single or multiple luminaire mounting.
Luminaires/Flood Lights may be mounted on tenons or bracket accessories
- Tenons: Luminaire may be mounted on tenon or open pole top.

Specifications

Shaft: Extruded seamless 6000 alloy aluminum tubing (heat treated to T6 with base). Shaft is wrapped for protection for shipping.

Anchor Base: Cast A356 alloy aluminum, inserted and welded inside the bottom of the shaft. Includes four (4) round nut cover disks.

Handhole: Reinforced flush covered handholes located 18" centered from the bottom of the pole and measuring 2" x 4" (4" square poles), and 2 1/2" x 4" (5" and 6" square pole).

Anchor Bolts: 4 steel hot dip galvanized anchor bolts with 2 nuts and two flat washers sized to match the anchor bolt.

Finish: Polyester powder coat. Standard colors in Black (B), White (W), Natural (N) and Architectural Bronze (AB) that closely match Pole Top fixtures, Above Grade fixtures, and accessories. Custom colors available upon request. Supply two (2) samples.

Available Options (1):

- Vibration Dampener

(1) Not part of standard product. Please specify when ordering.

** Other sizes available, consult factory.

Catalog Code:

Pole	Material	Shape	Base	Diameter / (Top / Bottom)	Wall Thk. /	Pole Height /	Tenon (O. D. / Length)	Finish
PO	A = Aluminum	Q = Square Straight	F = Fixed	4040 = 4" Top / 4" Bottom 5050 = 5" Top / 5" Bottom 6060 = 6" Top / 6" Bottom	A = .125" C = .188"	08 = 8 FT 10 = 10 FT 12 = 12 FT 14 = 14 FT 16 = 16 FT 18 = 18 FT 20 = 20 FT 25 = 25 FT	0000 = Open Pole 2430 = Ø2 3/8" Dia x 3" L 3030 = Ø3" Dia x 3" L 3010 = Ø3" Dia x 10" L (See second page for more lengths & info.)	B = Black W = White N = Natural AB = Architectural Bronze (for custom colors please specify)

Catalog Example:

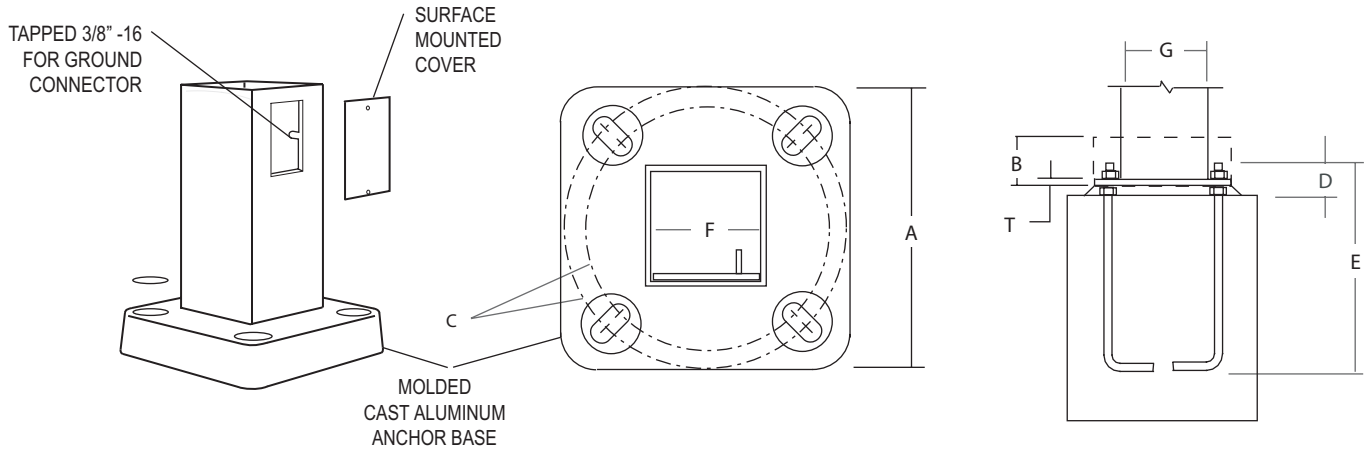
POAQF/4040C/16/3040/B

Pole, Aluminum Square Straight, Fixed Base, 4" Top x 4" Bottom x .188" wall, 16 FT High, with 3" OD x 4" L Tenon, Color: Black

(POAQF)

Aluminum Square Straight, Fixed Base, 4 bolt (8' - 25')

Pole EPA and Technical Data



EFFECTIVE PROJECTED AREA (EPA), DIMENSIONAL AND LOAD CHART

Catalog Numbers (2)	Pole Information											Typical Weight and Allowable Sizes of Luminaires (1)						
	Dimensions and Weight				Base Dimensions		Anchor Base and Opening Details					Luminaire Info.		Effective Projected Area In Square Feet At: (3)				
	Pole Ht. (Ft)	Top Squ. (G)	Base Squ. (G)	Wall Thk.	Pole Wt. (LBS)	Base Width (A)	Base Ht. (B)	Bolt Circle (C)	Bolt Proj. (D)	Anchor Bolts (E)	Conduit Opening (F)	Nom. Mtg. Ht.	Typ. Lum. Wt. (LBS)	70 MPH	80 MPH	90 MPH	100 MPH	110 MPH
POAQF/4040A/08/	8'	4"	4"	.125"	34	9 15/16"	2"	8 1/2" - 9 5/8"	3 1/8" +/-1/8"	.75" x 17"	3 1/2"	8'	350	26.6	19.9	15.2	11.9	9.5
POAQF/1010A/10/	10'	4"	4"	.125"	39	9 15/16"	2"	8 1/2" - 9 5/8"	3 1/8" +/-1/8"	.75" x 17"	3 1/2"	10'	260	20.6	15.2	11.4	8.8	6.8
POAQF/4040A/12/	12'	4"	4"	.125"	43	9 15/16"	2"	8 1/2" - 9 5/8"	3 1/8" +/-1/8"	.75" x 17"	3 1/2"	12'	260	16.0	11.5	8.5	6.3	4.6
POAQF/4040A/14/	14'	4"	4"	.125"	48	9 15/16"	2"	8 1/2" - 9 5/8"	3 1/8" +/-1/8"	.75" x 17"	3 1/2"	14'	200	12.9	9.0	6.4	4.5	3.1
POAQF/4040A/15/	15'	4"	4"	.125"	50	9 15/16"	2"	8 1/2" - 9 5/8"	3 1/8" +/-1/8"	.75" x 17"	3 1/2"	15'	200	9.1	6.2	4.2	2.8	1.8
POAQF/4040A/16/	16'	4"	4"	.125"	52	9 15/16"	2"	8 1/2" - 9 5/8"	3 1/8" +/-1/8"	.75" x 17"	3 1/2"	16'	200	7.9	5.3	3.4	2.1	1.1
POAQF/4040C/16/	16'	4"	4"	.188"	61	9 15/16"	2"	8 1/2" - 9 5/8"	3 1/8" +/-1/8"	.75" x 17"	3 1/2"	16'	200	13.3	9.4	6.7	4.7	3.3
POAQF/4040A/18/	18'	4"	4"	.125"	57	9 15/16"	2"	8 1/2" - 9 5/8"	3 1/8" +/-1/8"	.75" x 17"	3 1/2"	18'	100	6.4	4.0	2.3	1.1	-
POAQF/4040C/18/	18'	4"	4"	.188"	68	9 15/16"	2"	8 1/2" - 9 5/8"	3 1/8" +/-1/8"	.75" x 17"	3 1/2"	18'	150	11.0	7.4	5.0	3.3	2.0
POAQF/5050C/18/	18'	5"	5"	.188"	87	11 5/16"	2 1/2"	10 1/2" - 11 1/2"	3 1/4" +/-1/8"	.75" x 17"	4 1/2"	18'	260	19.2	13.5	9.6	6.8	4.7
POAQF/4040C/20/	20'	4"	4"	.188"	75	9 15/16"	2"	8 1/2" - 9 5/8"	3 1/8" +/-1/8"	.75" x 17"	3 1/2"	20'	150	8.8	5.6	3.5	1.9	-
POAQF/5050C/20/	20'	5"	5"	.188"	96	11 5/16"	2 1/2"	10 1/2" - 11 1/2"	3 1/4" +/-1/8"	.75" x 17"	4 1/2"	20'	150	16.4	11.2	7.6	5.0	3.2
POAQF/6060C/20/	20'	6"	6"	.188"	151	12 3/4"	2 3/4"	12" - 13"	4" +/-1/8"	1" X 36"	5 1/2"	20'	150	26.8	18.3	13.0	9.2	6.4
POAQF/5050C/25/	25'	5"	5"	.188"	118	11 5/16"	2 1/2"	10 1/2" - 11 1/2"	3 1/4" +/-1/8"	.75" x 17"	4 1/2"	25'	100	10.2	6.0	3.2	1.1	-
POAQF/6060C/25/	25'	6"	6"	.188"	177	12 3/4"	2 3/4"	12" - 13"	4" +/-1/8"	1" X 36"	5 1/2"	25'	260	16.6	10.6	6.5	3.5	1.3

(1) Effective Projected Area (EPA) calculations are based on a 1.3 Gust Factor. Satisfactory performance of lighting poles is dependent upon the pole being properly attached to a supporting foundation of adequate design.

(2) Catalog numbers do not include tenon option or finish.

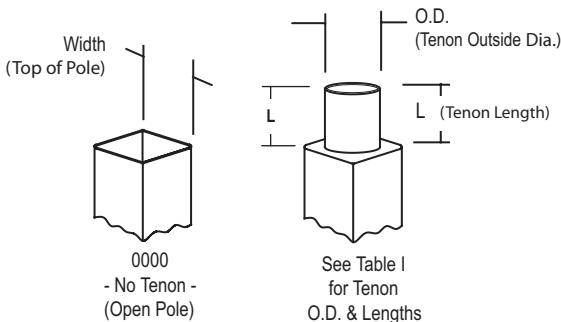
(3) Additional pole heights and sizes available with different EPA. Consult factory for options.

2007.11.14

Tenon Codes:

Tenons are designed for single luminaire mounting.

When eccentric loads or multiple luminaires mounting is required, contact factory for evaluation.



O.D. (Tenon Outside Dia.)	L (Tenon Length)
24 = Ø 2 3/8"	3" to 9 1/2" (1/2" Increments)
30 = Ø 3"	+10" (1" Increments)
00 = No Tenon (Open Pole)	30 = 3"
	35 = 3 1/2"
	etc ...
	90 = 9"
	95 = 9 1/2"
	etc ...
	00 = No Tenon (Open Pole)

Examples:
 2430 = Ø2 3/8" O.D. x 3" L
 3045 = Ø3" O.D. x 4 1/2" L
 3010 = Ø3" O.D. x 10" L
 0000 = Open Pole (No Tenon)



Tel:888.458.6368

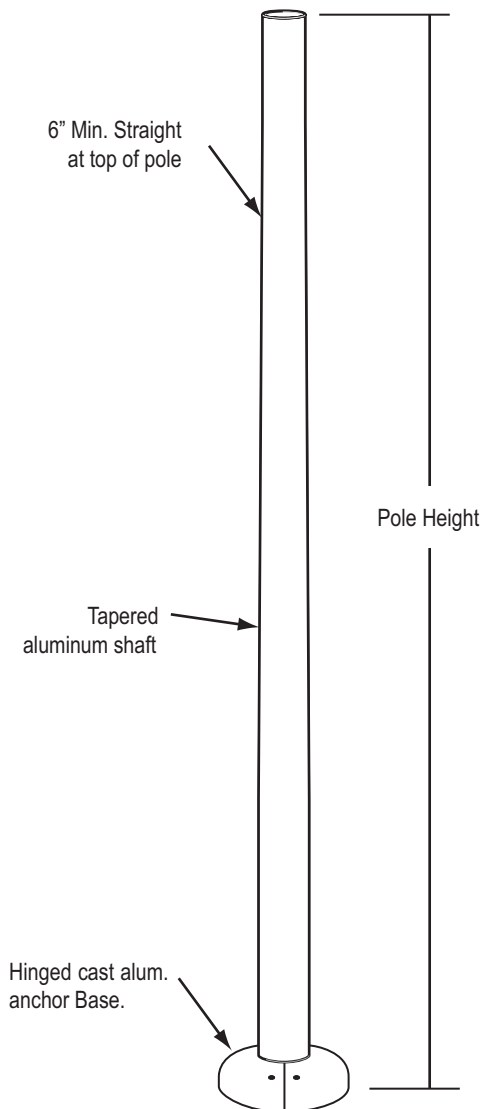
Los Angeles, CA

www.lumenton.com

Product specifications subject to change without notice.

POLE (POATH)

Aluminum Round Tapered, Hinged Base (8' - 20')



Features:

- Aluminum Round Tapered Hinged Base Pole: 4" O.D. and 5" O.D.
- 8' to 20' Mounting Height.
- For single or multiple luminaire mounting.
 - Luminaires/Flood Lights may be mounted on tenons or bracket accessories
- Tenons: Luminaire may be mounted on tenon or open pole top.

Specifications

Shaft: Spun tapered seamless 6063 alloy aluminum with a minimum of 6" of straight section at the top of the pole. Shaft is wrapped for protection for shipping.

Hinged Anchor Base: Cast A356 alloy aluminum, with the shaft inserted and welded in the tilting section of the hinge base (heat treated to T6). Hinged base is joined by a 3/4" diameter aluminum pivot rod. Includes a two (2) piece cast aluminum cover.

Anchor Bolts: 4 steel hot dip galvanized anchor bolts with 2 nuts and two flat washers sized to match the anchor bolt.

Finish: Polyester powder coat. Standard colors in Black (B), White (W), Natural (N) and Architectural Bronze (AB) that closely match Pole Top fixtures, Above Grade fixtures, and accessories. Custom colors available upon request. Supply two (2) samples.

Available Options (1):

- Vibration Dampener
- Handhole

(1) Not part of standard product. Please specify when ordering.

Catalog Code:

Pole	Material	Shape	Base	Diameter / (Top / Bottom)	Wall Thk. /	Pole Height /	Tenon (O. D. / Length) /	Finish
PO	A = Aluminum	T = Round Tapered	H = Hinged	3040 = 3" Top / 4" Bottom 3050 = 3" Top / 5" Bottom	A = .125" B = .156" C = .188"	08 = 8 FT 10 = 10 FT 12 = 12 FT 14 = 14 FT 16 = 16 FT 18 = 18 FT 20 = 20 FT	0000 = Open Pole 2430 = Ø2 3/8" Dia x 3" L 3030 = Ø3" Dia x 3" L 3010 = Ø3" Dia x 10" L (See second page for more lengths & info.)	B = Black W = White N = Natural AB = Architectural Bronze (for custom colors please specify)

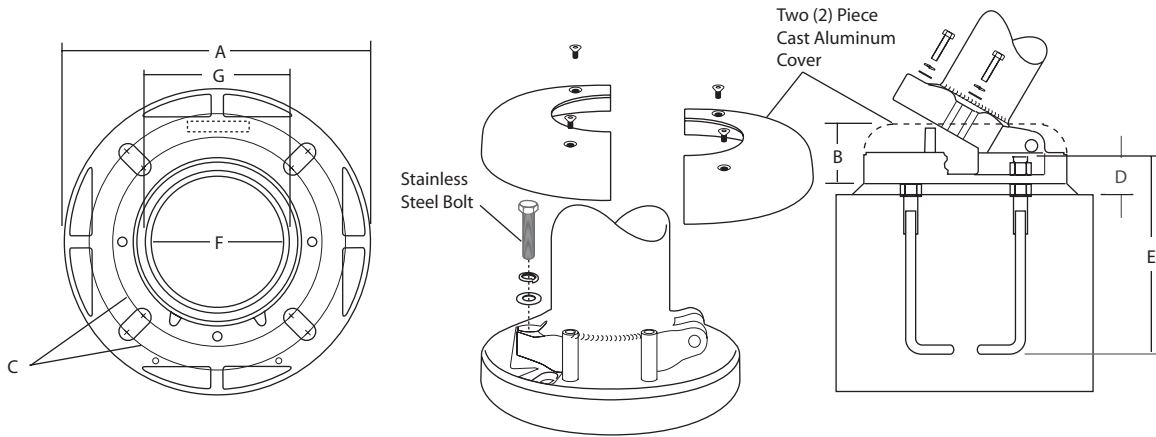
Catalog Example:

POATH/3050A/12/3030/B

Pole, Aluminum Round Tapered Hinged Base, 3" O.D. Top x 5" O.D. Bottom x .125" wall, 12 FT High, with 3" OD x 3" L Tenon, Color: Black

(POATH)

Pole EPA and Technical Data



EFFECTIVE PROJECTED AREA (EPA), DIMENSIONAL AND LOAD CHART

Catalog Numbers (2)	Pole Information											Typical Weight and Allowable Sizes of Luminaires (1)								
	Dimensions and Weight					Base Dimensions		Anchor Base and Opening Details				Luminaire Info.		Effective Projected Area In Square Feet At: (3)						
	Pole Ht.	Top Dia.	Base Dia. (G)	Wall Thk.	Pole Wt. (LBS)	Base Dia. (A)	Base Ht. (B)	Bolt Circle (C)	Bolt Proj. (D)	Anchor Bolts (E)	Conduit Opening (F)	Conduit Proj.	Nom. Mtg. Ht.	Typ. Lum. Wt. (LBS)	70 MPH	80 MPH	90 MPH	100 MPH	110 MPH	120 MPH
POATH/3040A/08/	7' 8"	3"	4"	.125"	38	12 5/8"	3 1/16"	8 1/2" - 10"	3 1/2"	.75" x 17"	3 1/2"	1 1/2"	8'	50	16.1	12.1	9.3	7.3	5.9	4.9
POATH/3050A/10/	9' 8"	3"	5"	.125"	45	12 5/8"	3 1/16"	8 1/2" - 10"	3 1/2"	.75" x 17"	4 1/2"	1 1/2"	10'	50	19.7	14.7	11.4	9.0	7.3	6.4
POATH/3050A/12/	11' 8"	3"	5"	.125"	50	12 5/8"	3 1/16"	8 1/2" - 10"	3 1/2"	.75" x 17"	4 1/2"	1 1/2"	12'	50	15.5	11.5	8.7	6.8	5.4	4.7
POATH/3050B/14/	13' 8"	3"	5"	.156"	62	12 5/8"	3 1/16"	8 1/2" - 10"	3 1/2"	.75" x 17"	4 1/2"	1 1/2"	14'	50	15.6	11.5	8.7	6.7	5.3	4.8
POATH/3050B/16/	15' 8"	3"	5"	.156"	67	12 5/8"	3 1/16"	8 1/2" - 10"	3 1/2"	.75" x 17"	4 1/2"	1 1/2"	16'	50	12.6	9.1	6.8	5.2	4.0	3.6
POATH/3050C/18/	17' 8"	3"	5"	.188"	81	12 5/8"	3 1/16"	8 1/2" - 10"	3 1/2"	.75" x 17"	4 1/2"	1 1/2"	18'	75	12.7	9.1	6.7	5.1	4.0	3.5
POATH/3050C/20/	19' 8"	3"	5"	.188"	87	12 5/8"	3 1/16"	8 1/2" - 10"	3 1/2"	.75" x 17"	4 1/2"	1 1/2"	20'	75	10.7	7.5	5.3	3.9	2.9	2.5

(1) Effective Projected Area (EPA) calculations are based on a 1.3 Gust Factor. Satisfactory performance of lighting poles is dependent upon the pole being properly attached to a supporting foundation of adequate design.

(2) Catalog numbers do not include tenon option or finish.

(3) Additional pole heights and sizes available with different EPA. Consult factory for options.

2007.11.14

Tenon Codes:

Tenons are designed for single luminaire mounting.

When eccentric loads or multiple luminaires mounting is required, contact factory for evaluation.

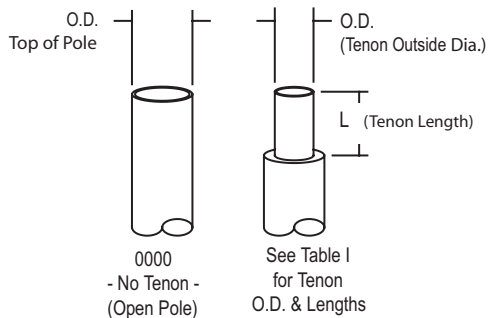
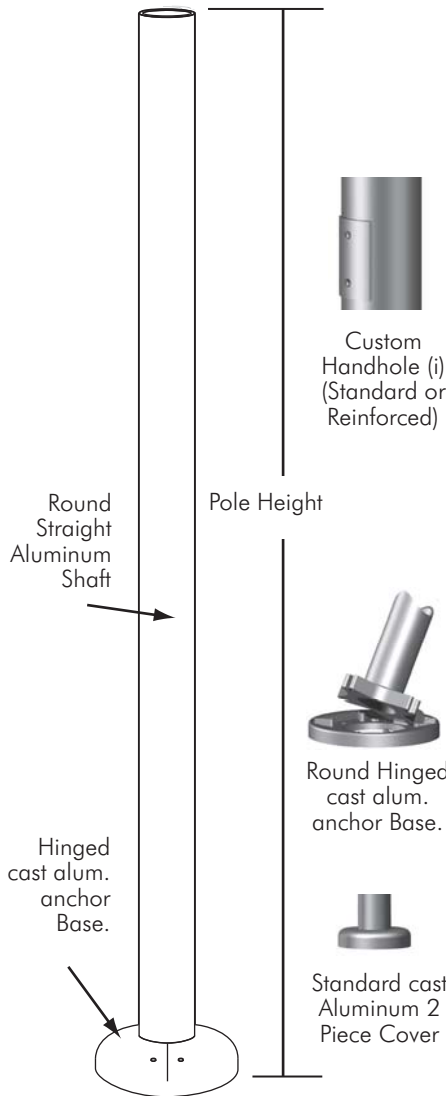


Table I	
O.D. (Tenon Outside Dia.)	L (Tenon Length)
24 = Ø 2 3/8"	3" to 9 1/2" (1/2" Increments)
30 = Ø 3"	+10" (1" Increments)
00 = No Tenon (Open Pole)	
Examples:	
2430 = Ø 2 3/8" O.D. x 3" L	
3045 = Ø 3" O.D. x 4 1/2" L	
3010 = Ø 3" O.D. x 10" L	
0000 = Open Pole (No Tenon)	
	3" = 3"
	35 = 3 1/2"
	etc ...
	90 = 9"
	95 = 9 1/2"
	etc ...
	00 = No Tenon (Open Pole)

POARH01 Poles

Aluminum Round Straight, Hinged Base, 4 Bolt (8' - 20')



Features:

- Aluminum Round Straight Hinged Base Pole: 4" O.D., 5" O.D., 6" O.D. (ii).
- 8' to 20' Mounting Height (ii).
- For single or multiple luminaire mounting.
- Luminaires/Flood Lights may be mounted on tenons or bracket accessories
- Tenons: Luminaire may be mounted on tenon or open pole top.

Specifications:

Shaft: Extruded straight seamless alloy aluminum.

Pole Top: An open pole top or tenon is provided for top mount luminaires (specify) and/or brackets. A removable pole cap is available for poles receiving drilling patterns for side-mount luminaires arm assemblies.

Hinged Anchor Base: Cast A356 alloy aluminum, with the shaft inserted and welded in the tilting section of the hinge base (heat treated to T6). Hinged base is joined by a pivot rod. Includes a two (2) piece cast aluminum cover.

Handhole (i): Custom covered standard or reinforced handholes available. Handhole are located 12" (4" O.D. and 5" O.D. poles) and 18" high (6" O.D. poles) opposite the hinge unless otherwise specified and ground provisions are provided. Please specify for standard handhole (i) "S" in part number or for reinforced handhole (i) "R" in part number (example standard handhole: POARH01S/... or reinforced handhole: POARH01R/...). Consult factory for availability.

Anchor Bolts (iii): 4 steel hot dip galvanized anchor bolts with two hex nuts and two flat washers sized to match the anchor bolt. Anchor Bolts are "L" shaped and are galvanized a minimum of 12" on the threaded end.

Finish: Polyester powder coat. Standard colors in Black (B), White (W), Natural (N) and Architectural Bronze (AB) that closely match Pole Top fixtures, Above Grade fixtures, and accessories. Custom colors available upon request. Supply two (2) samples.

Notes:

(i) Custom Product: Not a standard option. Please consult factory for availability and specify when ordering (Add "S" or "R" in catalog number in TABLE I next page, example: POARH01S/... or POARH01R/...).

(ii) See next page (TABLE I) for the most common available heights and pole sizes. Other pole heights and pole sizes available (consult factory) and please specify your pole requirements: pole height, outside diameter (see above) and wall thickness (.125" wall, .156" wall or .188" wall), and pole quantity. Also include job site wind speed and job site name, city and zip code as well as the Lumenton pole top catalog number (or another pole top with EPA and weight and/or any accessories) used on the pole (example: 25 each, POARH01, 10ft high, 5" OD with .156 wall, 70 MPH wind speed, for Culver City Park job in Los Angeles, CA 90016 for PT925).

(iii) Please specify (at time of pole order) if pole anchor bolts and templates need to be shipped prior to the pole being shipped.

Catalog Code:

Pole Type	Handhole	Pole Diameter (Top & Bottom)	Wall Thk.	Pole Height	Tenon (O. D. / Length)	Optional Square Base	Finish
POARH01 = Aluminum Round Straight Hinged Base, 4 Bolt Pole		See next page (TABLE I) for the most common available pole sizes. For additional pole heights and sizes consult factory (see note ii).			Select your 4 number Tenon Code (open or O.D. and Length) based on your Lumenton Pole Top fixture. See next page (at bottom) for information.		B = Black W = White N = Natural AB = Architectural Bronze (for custom colors please specify)
S = Standard Handhole (i) (Custom.Consult Factory for Availability) R = Reinforced Handhole (i) (Custom.Consult Factory for Availability) Add "S" or "R" in catalog number in TABLE I next page. See note (i) above.							
LEAVE BLANK = Standard 2 piece Round Base Cover.							

Catalog Example:

POARH01/5050B/12/3030/B

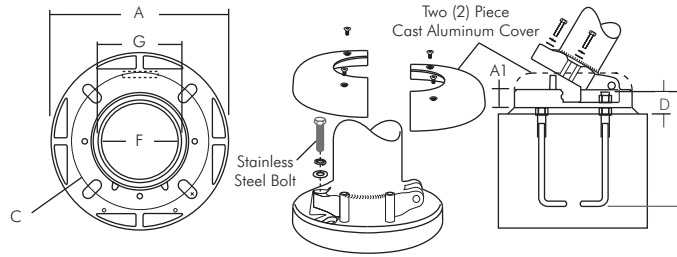
Pole, Aluminum Round Straight Hinged Base, 5" O.D. Top x 5" O.D. Bottom x .156" wall, 12 FT High, with 3" OD x 3" L Tenon, Color: Black

POARH01 Poles

Pole EPA and Technical Data

TABLE I

Pole information (most common pole sizes, weights, and EPA. For other pole sizes consult factory)



EFFECTIVE PROJECTED AREA (EPA) , DIMENSIONAL AND LOAD CHART

Catalog Numbers (1) (3) (with tenons or finish codes)	Pole Information (1) (2) (4)										Typical Weight and Allowable Sizes of Luminaires (1) (2)							
	Dimensions and Weight				Base Dimensions		Anchor Base and Opening Details				Luminaire Info.							
	Pole Ht. (Ft)	Pole Top Dia.	Pole Base Dia. (G)	Pole Wall Thk.	Pole Wt. (2) (4) (LBS)	Base Dia. (A)	Base Thk. (A1) (In)	Bolt Circle (C)	Bolt Proj. (D)	Anchor Bolts (Dia. x L x Hook) (E)	Conduit Opening (F)	Nom. Mtg. Ht.	Lum. Max. Wt. (LBS)	70 MPH w/ 1.3 GUST	80 MPH w/ 1.3 GUST	90 MPH w/ 1.3 GUST	100 MPH w/ 1.3 GUST	110 MPH w/ 1.3 GUST
POARH01/4040A/08/	8'	4"	4"	.125"	19	12.63"	0.75"	9.25" +/- 0.75"	3.50"	.75" x 17" x 3"	3 3/4"	8'	50	10.6	8.0	6.1	4.8	3.9
POARH01/4040A/10/	10'	4"	4"	.125"	22	12.63"	0.75"	9.25" +/- 0.75"	3.50"	.75" x 17" x 3"	3 1/2"	10'	50	8.2	5.9	4.4	3.3	2.7
POARH01/5050A/10/	10'	5"	5"	.125"	27	12.63"	0.75"	9.25" +/- 0.75"	3.50"	.75" x 17" x 3"	3 1/2"	10'	50	15.5	11.6	9.0	7.2	5.9
POARH01/4040A/12/	12'	4"	4"	.125"	26	12.63"	0.75"	9.25" +/- 0.75"	3.50"	.75" x 17" x 3"	3 1/2"	12'	50	6.3	4.4	3.1	2.2	1.8
POARH01/5050A/12/	12'	5"	5"	.125"	32	12.63"	0.75"	9.25" +/- 0.75"	3.50"	.75" x 17" x 3"	4 1/2"	12'	50	12.4	9.1	7.0	5.6	4.5
POARH01/5050B/12/	12'	5"	5"	.156"	38	12.63"	0.75"	9.25" +/- 0.75"	3.50"	.75" x 17" x 3"	4 1/2"	12'	50	15.7	11.6	9.0	7.2	5.8
POARH01/4040A/14/	14'	4"	4"	.125"	30	12.63"	0.75"	9.25" +/- 0.75"	3.50"	.75" x 17" x 3"	3 1/2"	14'	50	4.7	3.1	2.0	1.3	1.0
POARH01/5050A/14/	14'	5"	5"	.125"	36	12.63"	0.75"	9.25" +/- 0.75"	3.50"	.75" x 17" x 3"	4 1/2"	14'	50	9.8	7.0	5.4	4.2	3.4
POARH01/5050B/14/	14'	5"	5"	.156"	44	12.63"	0.75"	9.25" +/- 0.75"	3.50"	.75" x 17" x 3"	4 1/2"	14'	50	12.6	9.2	7.1	5.6	4.5
POARH01/5050B/16/	16'	5"	5"	.156"	50	12.63"	0.75"	9.25" +/- 0.75"	3.50"	.75" x 17" x 3"	4 1/2"	16'	50	10.0	7.1	5.4	4.2	3.3
POARH01/5050C/16/	16'	5"	5"	.188"	58	12.63"	0.75"	9.25" +/- 0.75"	3.50"	.75" x 17" x 3"	4 1/2"	16'	50	12.3	8.9	6.8	5.3	4.3
POARH01/6060B/16/	16'	6"	6"	.156"	59	12.63"	0.75"	9.25" +/- 0.75"	3.50"	.75" x 17" x 3"	4 1/2"	16'	50	18.1	13.6	10.6	8.4	6.8
POARH01/5050C/18/	18'	5"	5"	.188"	65	12.63"	0.75"	9.25" +/- 0.75"	3.50"	.75" x 17" x 3"	4 1/2"	18'	75	9.8	6.8	5.2	4.0	3.2
POARH01/6060C/18/	18'	6"	6"	.188"	78	12.63"	0.75"	9.25" +/- 0.75"	3.50"	.75" x 17" x 3"	5 1/2"	18'	75	18.1	13.6	10.5	8.4	6.8
POARH01/6060B/20/	20'	6"	6"	.156"	73	12.63"	0.75"	9.25" +/- 0.75"	3.50"	.75" x 17" x 3"	5 1/2"	20'	75	12	8.9	6.8	5.3	4.2
POARH01/6060C/20/	20'	6"	6"	.188"	86	12.63"	0.75"	9.25" +/- 0.75"	3.50"	.75" x 17" x 3"	5 1/2"	20'	75	15.0	11.1	8.6	6.8	5.4

(1) EPA represents the Effective Projected Area of each Luminaire. Designs are limited to top mount or side mount luminaires. Satisfactory performance of poles is dependent upon the pole being properly attached to a supporting foundation of adequate design. Consult your local civil engineer and/or structural engineer, etc. for adequate design. Additional pole heights and sizes available with different EPA (see note "ii" previous page and Consult factory).

(2) Pole weight is a nominal value which includes the pole shaft and base plate.

(3) Catalog numbers do not include custom standard or reinforced handholes and do not include tenon option (see below), and finish. Custom standard or reinforced handholes (Add "S" or "R" in catalog number in TABLE I above, example: POARH01S/... or POARH01R/...) are ordered separately (see note "i" previous page and contact factory for availability).

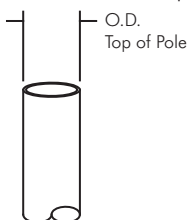
(4) **CAUTION:** Raising or lowering of the pole requires adequate preparation. Do not underestimate the force required to raise or lower poles with heavy luminaires at top.

Tenon Codes:

Tenons are designed for single luminaire mounting. When eccentric loads or multiple luminaires mounting is required, contact factory for evaluation.

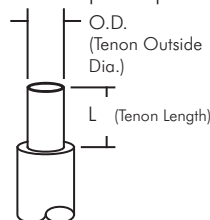
Select your Open Pole or Tenon O.D. and Length code based on your Lumenton fixture.

A) Use "0000" code for no tenon on pole (see below) when pole top fixture fitting is the same size as the top of the pole and fits over the pole.



- No Tenon - (Open Pole)

OR B) Select a 4 number Tenon code that fits your pole top fixture fitting using Table II below when pole top fixture fitting is smaller than the top of a pole.



See Table II (right) for Tenon O.D. & Lengths codes

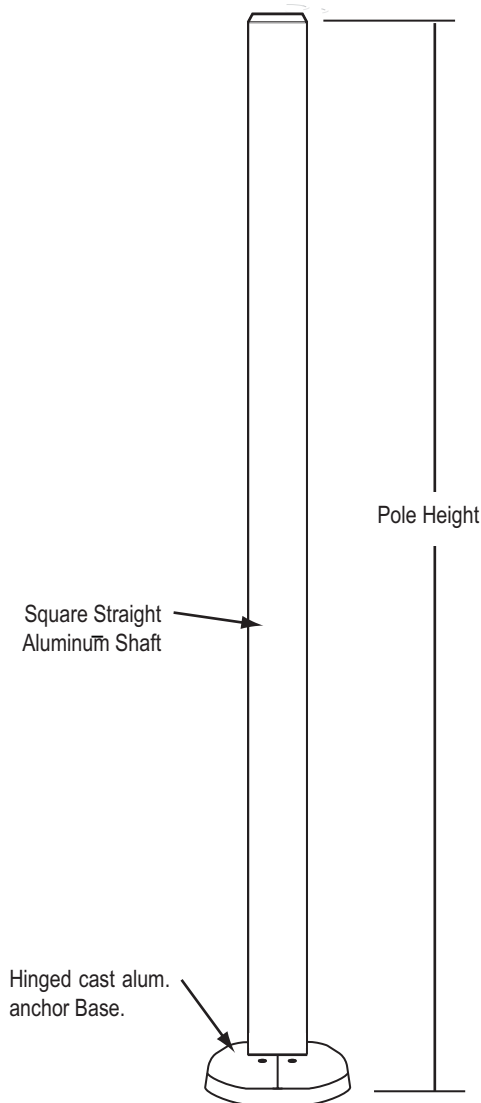
Table II (Tenon O.D. and Length Code)

O.D. (Tenon Outside Dia.)	L (Tenon Length)
24 = Ø 2 3/8" O.D. 30 = Ø 3" O.D.	3" L to 9 1/2" Long (1/2" Increments) 10" and Longer (1/2" Increments)
Some Common Tenon codes below:	
Tenon Codes (Tenon Sizes)	
2430 (Ø 2 3/8" O.D. x 3" Long)	10 = 10" Long
3030 (Ø 3" O.D. x 3" Long)	11 = 11" Long
3045 (Ø 3" O.D. x 4 1/2" Long)	12 = 12" Long
3050 (Ø 3" O.D. x 5" Long)	13 = 13" Long
3010 (Ø 3" O.D. x 10" Long)	etc ...

2014.1.14

POLE (POAQH)

Aluminum Square Straight, Hinged Base (8' - 20')



Features:

- Aluminum Square Straight Hinged Base Pole: 4" O.D., 5" O.D.
- 8' to 20' Mounting Height.
- For single or multiple luminaire mounting.
Luminaires/Flood Lights may be mounted on tenons or bracket accessories
- Tenons: Luminaire may be mounted on tenon or open pole top.

Specifications

Shaft: Extruded seamless 6000 alloy aluminum. Shaft is wrapped for protection for shipping.

Hinged Anchor Base: Cast A356 alloy aluminum, with the shaft inserted and welded in the tilting section of the hinge base (heat treated to T6). Hinged base is joined by a 3/4" diameter aluminum pivot rod. Includes a two (2) piece cast aluminum cover.

Anchor Bolts: 4 steel hot dip galvanized anchor bolts with 2 nuts and two flat washers sized to match the anchor bolt.

Finish: Polyester powder coat. Standard colors in Black (B), White (W), Natural (N) and Architectural Bronze (AB) that closely match Pole Top fixtures, Above Grade fixtures, and accessories. Custom colors available upon request. Supply two (2) samples.

Available Options (1):

- Vibration Dampener
- Handhole

(1) Not part of standard product. Please specify when ordering.

Catalog Code:

Pole	Material	Shape	Base	Diameter / (Top / Bottom)	Wall Thk. /	Pole Height /	Tenon (O. D. / Length) /	Finish
PO	A = Aluminum	Q = Square Straight	H = Hinged	4040 = 4" Top / 4" Bottom 5050 = 5" Top / 5" Bottom	A = .125" C = .188"	08 = 8 FT 10 = 10 FT 12 = 12 FT 14 = 14 FT 16 = 16 FT 18 = 18 FT 20 = 20 FT	0000 = Open Pole 2430 = Ø2 3/8" Dia x 3" L 3030 = Ø3" Dia x 3" L 3010 = Ø3" Dia x 10" L (See second page for more lengths & info.)	B = Black W = White N = Natural AB = Architectural Bronze (for custom colors please specify)

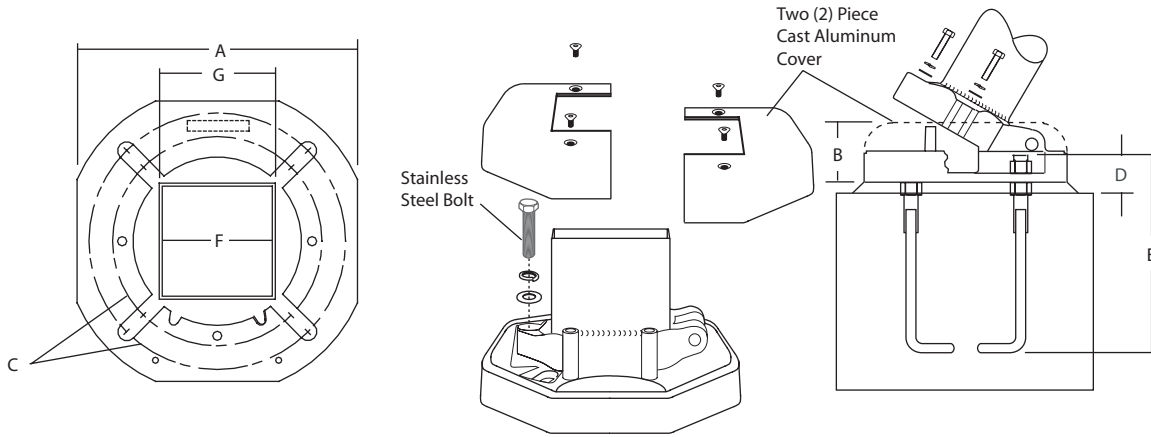
Catalog Example:

POAQH/4040A/12/3030/B

Pole, Aluminum Square Straight, Hinged Base, 4" Top x 4" Bottom x .125" wall, 12 FT High, with 3" OD x 3" L Tenon, Color: Black

(POAQH)

Pole EPA and Technical Data



EFFECTIVE PROJECTED AREA (EPA), DIMENSIONAL AND LOAD CHART

Catalog Numbers (2)	Pole Information											Typical Weight and Allowable Sizes of Luminaires (1)								
	Dimensions and Weight				Base Dimensions		Anchor Base and Opening Details					Luminaire Info.		Effective Projected Area In Square Feet At: (3)						
	Pole Ht.	Top Squ. Size	Base Squ. (G)	Wall Thk.	Pole Wt. (LBS)	Base Width (A)	Base Ht. (B)	Bolt Circle (C)	Bolt Proj. (D)	Anchor Bolts (E)	Conduit Opening (F)	Conduit Proj.	Nom. Mtg. Ht.	Typ. Lum. Wt. (LBS)	70 MPH	80 MPH	90 MPH	100 MPH	110 MPH	120 MPH
POAQH/4040A/08/	8'	4"	4"	.125"	44	11 11/16"	3 1/16"	8 1/2" - 10"	3 1/2"	.75" x 17"	3 1/2"	1 1/2"	8'	50	26.6	19.9	15.2	11.9	9.5	7.5
POAQH/4040A/10/	10'	4"	4"	.125"	48	11 11/16"	3 1/16"	8 1/2" - 10"	3 1/2"	.75" x 17"	3 1/2"	1 1/2"	10'	50	20.6	15.2	11.4	8.8	6.8	5.1
POAQH/4040A/12/	12'	4"	4"	.125"	53	11 11/16"	3 1/16"	8 1/2" - 10"	3 1/2"	.75" x 17"	3 1/2"	1 1/2"	12'	50	16.0	11.5	8.5	6.3	4.6	3.1
POAQH/4040A/14/	14'	4"	4"	.125"	57	11 11/16"	3 1/16"	8 1/2" - 10"	3 1/2"	.75" x 17"	3 1/2"	1 1/2"	14'	50	12.9	9.0	6.4	4.5	3.1	1.5
POAQH/4040A/16/	16'	4"	4"	.125"	62	11 11/16"	3 1/16"	8 1/2" - 10"	3 1/2"	.75" x 17"	3 1/2"	1 1/2"	16'	50	7.9	5.3	3.4	2.1	1.1	-
POAQH/4040C/16/	16"	4"	4"	.188"	70	11 11/16"	3 1/16"	8 1/2" - 10"	3 1/2"	.75" x 17"	3 1/2"	1 1/2"	16'	50	13.3	9.4	6.7	4.7	3.3	1.9
POAQH/4040A/18/	18'	4"	4"	.125"	67	11 11/16"	3 1/16"	8 1/2" - 10"	3 1/2"	.75" x 17"	3 1/2"	1 1/2"	18'	75	6.4	4.0	2.3	1.1	-	-
POAQH/5050C/18/	18'	5"	5"	.188"	80	11 11/16"	3 1/16"	9 5/16" - 10"	3 1/2"	.75" x 17"	4 1/2"	1 1/2"	18'	75	19.2	13.5	9.6	6.8	4.7	2.7
POAQH/4040C/20/	20'	4"	4"	.188"	84	11 11/16"	3 1/16"	8 1/2" - 10"	3 1/2"	.75" x 17"	3 1/2"	1 1/2"	20'	75	8.8	5.6	3.5	1.9	-	-
POAQH/5050C/20/	20'	5"	5"	.188"	89	11 11/16"	3 1/16"	9 5/16" - 10"	3 1/2"	.75" x 17"	4 1/2"	1 1/2"	20'	75	16.4	11.2	7.6	5.0	3.2	0.9

(1) Effective Projected Area (EPA) calculations are based on a 1.3 Gust Factor. Satisfactory performance of lighting poles is dependent upon the pole being properly attached to a supporting foundation of adequate design.

(2) Catalog numbers do not include tenon option or finish.

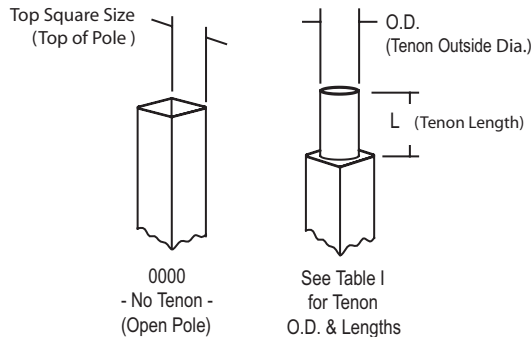
(3) Additional pole heights and sizes available with different EPA. Consult factory for options.

2008.02.20

Tenon Codes:

Tenons are designed for single luminaire mounting.

When eccentric loads or multiple luminaires mounting is required, contact factory for evaluation.

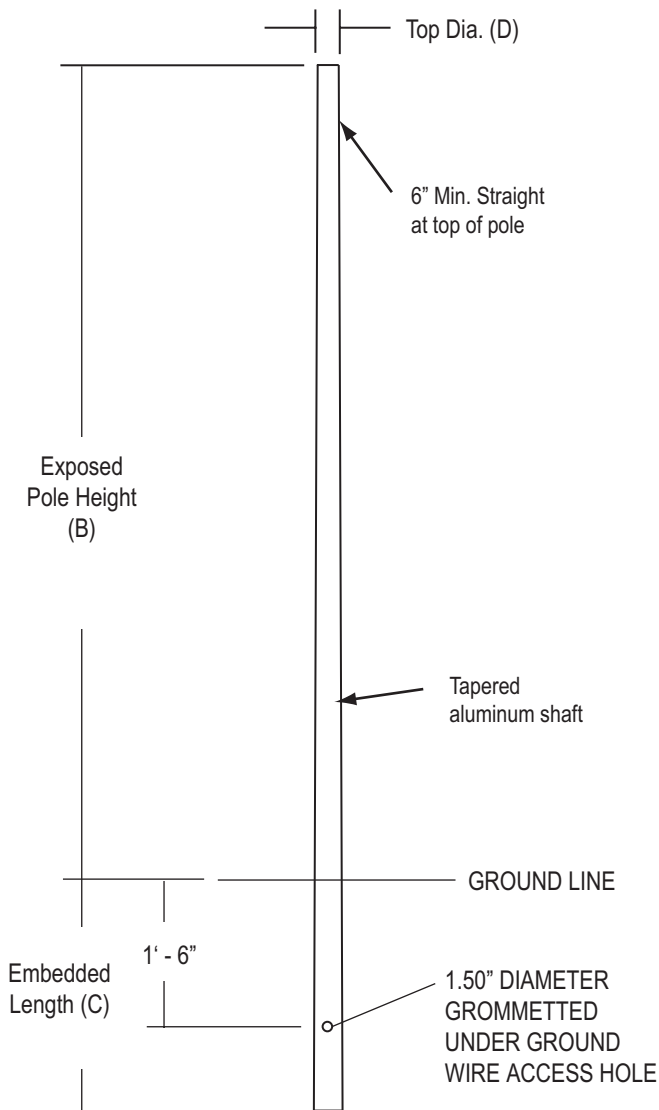


O.D. (Tenon Outside Dia.)	XX XX L (Tenon Length)
24 = Ø 2 3/8"	3" to 9 1/2" (+10" (1/2" Increments))
30 = Ø 3"	10 = 10"
00 = No Tenon (Open Pole)	11 = 11"
	etc ...
	12 = 12"
	13 = 13"
	etc ...
	00 = No Tenon (Open Pole)

Examples:
 2430 = Ø2 3/8" O.D. x 3" L
 3045 = Ø3" O.D. x 4 1/2" L
 3010 = Ø3" O.D. x 10" L
 0000 = Open Pole (No Tenon)

POLE (POAT01)

Aluminum Round Tapered Embedded (Direct Burial) (8' - 30')



Features:

- Aluminum Round Tapered Embedded Base (Direct Burial) Pole: 4" O.D., 5" O.D., 6" O.D. and 8" O.D.
- 8' to 30' Mounting Height.
- For single or multiple luminaire mounting.
Luminaires/Floodlights may be mounted on tenons or bracket accessories
- Tenons: Luminaire May be mounted on tenon or open pole top.

Specifications

Shaft: Spun tapered seamless 6063 alloy aluminum (heat treated to T6) with a minimum of 6" of straight section at the top of the pole. Shaft is wrapped for protection for shipping.

Embedded Pole Section: The embedded pole, coated with zinc rich paint, section shall be either 3', 4' or 5' deep and shall have a 1 1/2" dia. hole grommetted below grade.

Finish: Polyester powder coat. Standard colors in Black (B), White (W), Natural (N) and Architectural Bronze (AB) that closely match Pole Top fixtures, Above Grade fixtures, and accessories. Custom colors available upon request. Supply two (2) samples.

Available Options (1):

- Vibration Dampener
- Handhole
- Anti-Rotation Device

(1) Not part of standard product. Please specify when ordering.

Catalog Code:

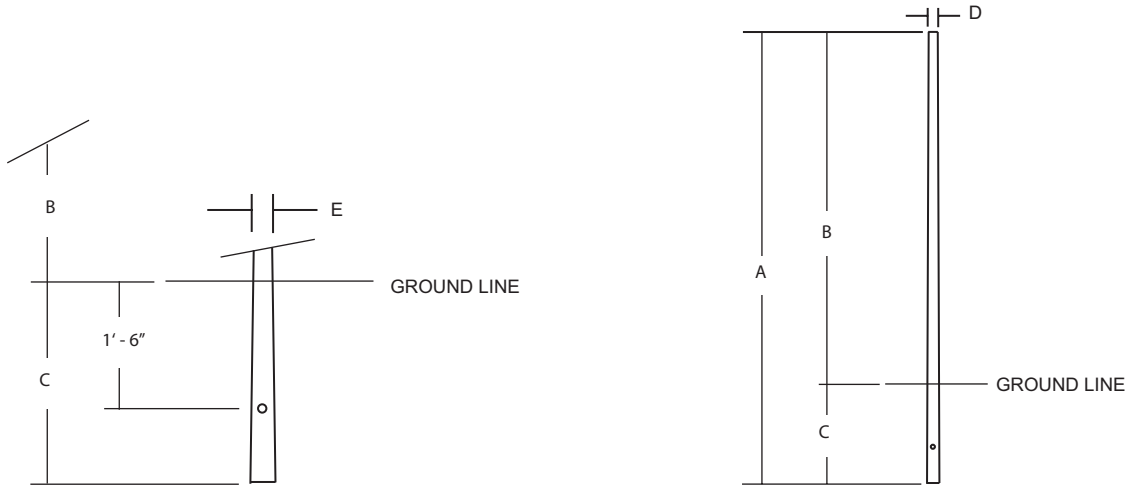
Pole	Material	Shape	Base	Diameter (Top / Bottom)	Wall Thk.	Pole Height	Tenon (O. D. / Length)	Finish
PO	A = Aluminum	T = Round Tapered	01 = Embedded (Direct Burial)	3040 = 3" Top / 4" Bottom 3050 = 3" Top / 5" Bottom 4060 = 4" Top / 6" Bottom 4560 = 4.5" Top / 6" Bottom	A = .125" B = .156" C = .188"	08 = 7' 8" 10 = 9' 8" 12 = 11' 8" 14 = 13' 8" 16 = 15' 8" 18 = 17' 8" 20 = 19' 8" 20 = 19' 8" 25 = 24' 8" 30 = 29' 8"	0000 = Open Pole 2430 = Ø2 3/8" Dia x 3" L 3030 = Ø3" Dia x 3" L 3010 = Ø3" Dia x 10" L (See second page for more lengths & info.)	B = Black W = White N = Natural AB = Architectural Bronze (for custom colors please specify)

Catalog Example:

POAT01/3050A/12/3030/B

Pole, Aluminum Round Tapered, Embedded (Direct Burial), 3" O.D. Top x 5" O.D. Bottom x .125" wall, 12 FT High, with 3" OD x 3" L Tenon, Color: Black

Pole EPA and Technical Data



EFFECTIVE PROJECTED AREA (EPA), DIMENSIONAL AND LOAD CHART

Catalog Numbers (2)	Pole Information							Typical Weight and Allowable Sizes of Luminaires (1)						
	Dimensions and Weight (Includes Base Dimensions)							Luminaire Info.		Effective Projected Area In Square Feet At: (3)				
	Exposed Pole Ht. (B)	Overall Shaft Length (A)	Top Dia. (D)	Base Dia. (E)	Wall Thk.	Pole Wt. (LBS)	Embedded Length (Ft) (C)	Nom. Mtg. Ht.	Typ. Lum. Wt. (LBS)	70 MPH	80 MPH	90 MPH	100 MPH	110 MPH
POA01/3040A/08/	7' 8"	10' 8"	3"	4"	.125"	19	3'	8'	75	19.1	14.4	11.1	8.8	7.1
POA01/3040A/10/	9' 8"	12' 8"	3"	4"	.125"	23	3'	10'	75	14.3	10.6	8.1	6.3	5.0
POA01/3040A/12/	11' 8"	14' 8"	3"	4"	.125"	26	3'	12'	75	11.0	8.0	6.0	4.5	3.5
POA01/3050A/12/	11' 8"	15' 8"	3"	5"	.125"	32	4'	12'	75	18.5	13.8	10.5	8.3	6.6
POA01/3050A/14/	13' 8"	17' 8"	3"	5"	.125"	36	4'	14'	75	14.8	10.8	8.2	6.3	5.0
POA01/3050B/16/	13' 8"	17' 8"	3"	5"	.156"	52	4'	16'	75	15.3	11.1	8.4	6.5	5.1
POA01/3050B/18/	17' 8"	21' 8"	3"	5"	.156"	57	4'	18'	150	12.2	8.7	6.4	4.9	3.8
POA01/4060B/18/	17' 8"	21' 8"	4"	6"	.156"	69	4'	18'	150	19.1	14.1	10.8	8.5	6.9
POA01/3050B/20/	19' 8"	23' 8"	3"	5"	.156"	61	4'	20'	75	10.4	7.2	5.1	3.7	2.8
POA01/4060C/25/	24' 8"	28' 8"	4"	6"	.188"	112	4'	25'	150	13.5	9.4	6.9	5.3	4.2
POA01/4580B/30/	29' 8"	34' 8"	4 1/2"	8"	.156"	134	5'	30'	150	16.7	12.0	9.1	7.0	5.5

(1) Effective Projected Area (EPA) calculations are based on a 1.3 Gust Factor. Satisfactory performance of lighting poles is dependent upon the pole being properly attached to a supporting foundation of adequate design.

(2) Catalog numbers do not include tenon option or finish.

(3) Additional pole heights and sizes available with different EPA. Consult factory for options.

2007.11.14

Tenon Codes:

Tenons are designed for single luminaire mounting.

When eccentric loads or multiple luminaires mounting is required, contact factory for evaluation.

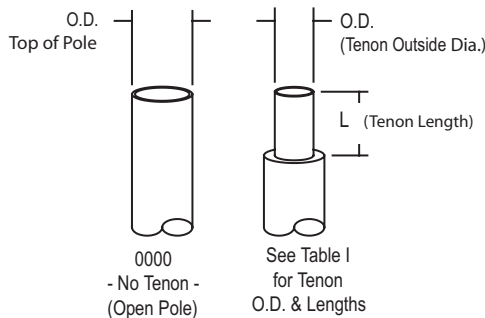
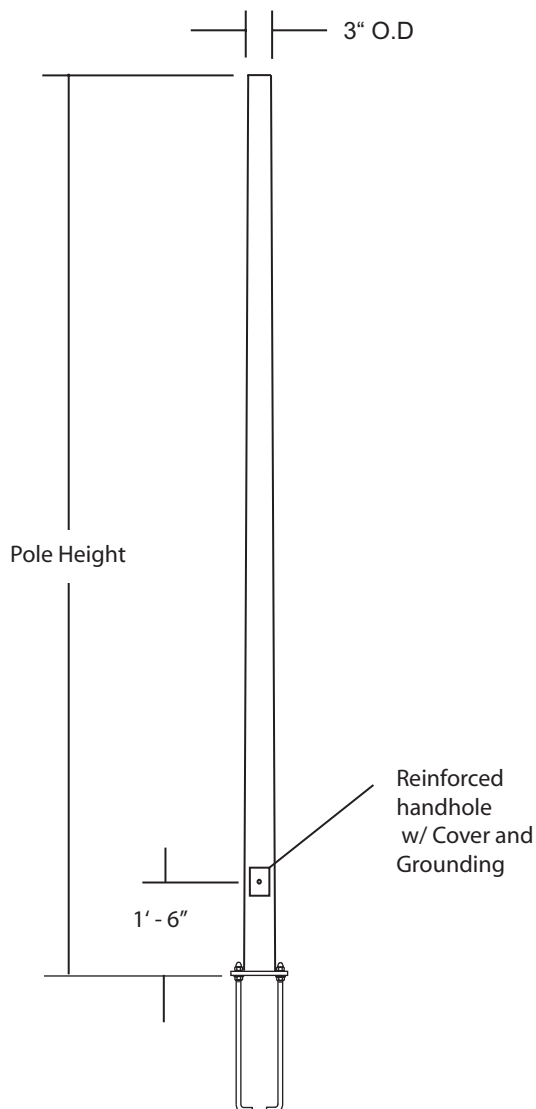


Table I	
O.D. (Tenon Outside Dia.)	L (Tenon Length)
24 = Ø 2 3/8"	3" to 9 1/2" (1/2" Increments)
30 = Ø 3"	+10" (1" Increments)
00 = No Tenon (Open Pole)	30 = 3"
	35 = 3 1/2"
	etc ...
	90 = 9"
	95 = 9 1/2"
	etc ...
	00 = No Tenon (Open Pole)

Examples:
 2430 = Ø 2 3/8" O.D. x 3" L
 3045 = Ø 3" O.D. x 4 1/2" L
 3010 = Ø 3" O.D. x 10" L
 0000 = Open Pole (No Tenon)

POLE (POST02)

Steel Round Tapered, Fixed Base, 3 Bolt (10' - 20')



Features:

- Steel, Round Tapered Fixed Base Poles: 4.4" O.D. to 5.8" O.D.
- 10' to 20' Mounting Height. Other heights available, consult factory.
- For single or multiple luminaire mounting.
- Tenons: Must be use when mounting Luminaire, Flood Lights, or other accessories.

Specifications

Shaft: Steel. Conforms to ASTM A595 Grade-A with an 11 gauge wall thickness and tapers to the top of the pole with no straight section. Must use a tenon when mounting Luminaires, Flood Lights, accessories etc.

Anchor Base: Fabricated from structural quality hot rolled carbon steel plate conforming to ASTM A36. Welded to the pole shaft top and bottom.

Handhole: Reinforced 3" x 5" handhole made of rectangular tubing located 1' - 6" above the base. Provided with a steel attachment bar, steel cover with screw.

Electrical Grounding: Provided with a nut holder near the handhole that includes a 1/2"-13 UNC bolt and nut.

Anchor Bolts: 3 steel galvanized anchor bolts each with 1 acorn nut, 1 nut and 2 flat washers.

Finish: Polyester powder coat. Standard colors in Black (B), White (W), Natural (N) and Architectural Bronze (AB) that closely match Pole Top fixtures, Above Grade fixtures, and accessories. Custom colors available upon request. Supply two (2) samples.

Catalog Code:

Pole	Material	Shape	Base	Diameter / (Top / Bottom)	Wall Thk. /	Pole Height /	Tenon (O. D. / Length)	Finish
PO	S = Steel	T = Round Tapered	02 = Fixed (3 bolt)	3044 = 3" Top / 4.4" Bottom 3046 = 3" Top / 4.6" Bottom (See second page for more sizes)	11 = 11 gauge	10 = 10 FT 12 = 12 FT 14 = 14 FT 16 = 16 FT 18 = 18 FT 20 = 20 FT	0000 = Open Pole 2430 = Ø2 3/8" Dia x 3" L 3030 = Ø3" Dia x 3" L 3010 = Ø3" Dia x 10" L (See second page for more lengths & info.)	B = Black W = White N = Natural AB = Architectural Bronze (for custom colors please specify)

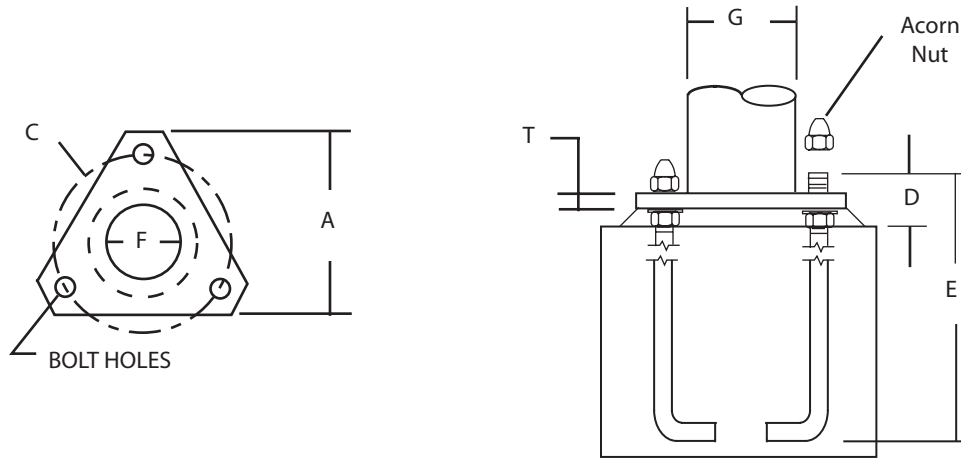
Catalog Example:

POST02/304411/10/3030/B

Pole, Steel Round Tapered, Fixed Base, 3 bolt, 3" O.D. Top x 4.4" O.D. Bottom x .11 gauge wall, 10 FT High, with 3" OD x 3" L Tenon, Color: Black

(POST02)

Pole EPA and Technical Data



EFFECTIVE PROJECTED AREA (EPA) , DIMENSIONAL AND LOAD CHART

Catalog Numbers (2)	Pole Information											Typical Weight and Allowable Sizes of Luminaires				
	Dimensions and Weight				Base Dimensions		Anchor Base and Opening Details					Luminaire Info.		Max EPA (F ²)		
	Pole Ht. (Ft)	Top Dia.	Base Dia. (G)	Wall Thk. (ga.)	Pole Wt. (1) (LBS)	Base Dia. (A)	Base Thk. (T)	Bolt Circle (C)	Bolt Proj. (D)	Anchor Bolts (E)	Conduit Opening (F)	Nom. Mtg. Ht. (Ft)	Max. Lum. Wt. (LBS)	80 MPH w/ 1.3 Gust	90 MPH w/ 1.3 Gust	100 MPH w/ 1.3 Gust
POST02/304411/10/	10'	3"	4.40"	11 ga.	60	8.5"	3/4"	8"	3.75" ± 0.25"	.75" x 17"	4"	10'	125	11.6	8.9	7.0
POST02/304611/12/	12'	3"	4.64"	11 ga.	70	8.5"	3/4"	8"	3.75" ± 0.25"	.75" x 17"	4 3/8"	12'	125	11.8	9.0	7.1
POST02/304911/14/	14'	3"	4.96"	11 ga.	80	8.5"	3/4"	8"	3.75" ± 0.25"	.75" x 17"	4 5/8"	14'	125	11.4	8.7	6.8
POST02/305211/16/	16'	3"	5.24"	11 ga.	95	8.5"	3/4"	8"	3.75" ± 0.25"	.75" x 17"	5"	16'	125	10.0	7.6	5.9
POST02/305511/18/	18'	3"	5.52"	11 ga.	110	8.5"	3/4"	8"	3.75" ± 0.25"	.75" x 17"	5 1/4"	18'	125	8.9	6.7	5.2
POST02/305811/20/	20'	3"	5.80"	11 ga.	125	8.5"	3/4"	8"	3.75" ± 0.25"	.75" x 17"	5 1/2"	20'	125	7.5	5.5	4.2

Maximum weight and EPA values are based on top mounted luminaires and/or brackets having a centroid 2' - 0" above nominal mounting height.

(1) Includes Pole Shaft and Base Plate Only (Nominal Value)

(2) Catalog numbers do not include tenon option or finish.

2007.11.14

Tenon Codes:

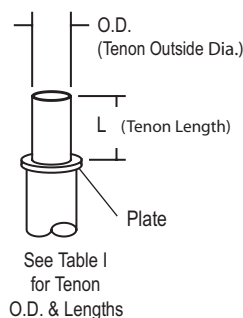
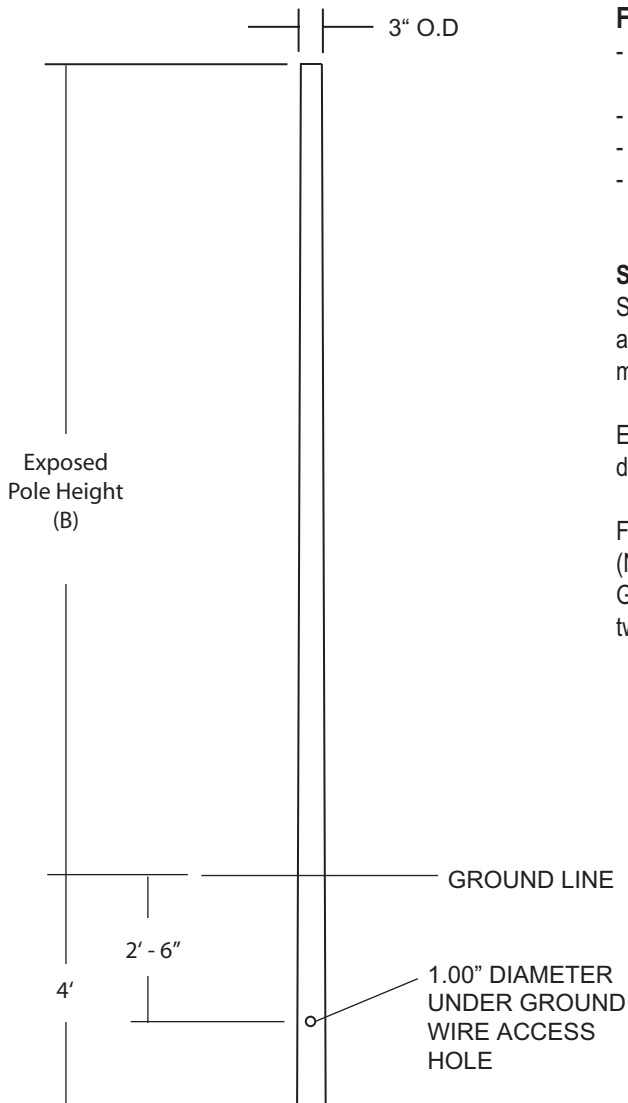


Table I		
O.D. (Tenon Outside Dia.)	XX	XX L (Tenon Length)
24 = Ø 2 3/8"	3" to 9 1/2"	+10"
30 = Ø 3"	(1/2" Increments)	(1" Increments)
	30 = 3"	10 = 10"
	35 = 3 1/2"	11 = 11"
	etc ...	12 = 12"
	90 = 9"	13 = 13"
	95 = 9 1/2"	etc ...

Examples:
 2430 = Ø 2 3/8" O.D. x 3" L
 3045 = Ø 3" O.D. x 4 1/2" L
 3010 = Ø 3" O.D. x 10" L

POLE (POST01)

Steel Round Tapered, Embedded (Direct Burial) (10' - 20')



Features:

- Steel Round Tapered Embedded Base (Direct Burial) Pole: 4.4" O.D. to 5.8" O.D.
- 10' to 30' Mounting Height. Other heights available, consult factory.
- For single or multiple luminaire mounting.
- Tenons: Must be use when mounting Luminaire, Flood Lights, or other accessories.

Specifications

Shaft: Steel. Conforms to ASTM A595 Grade-A with an 11 gauge wall thickness and tapers to the top of the pole with no straight section. Must use a tenon when mounting Luminaires, Flood Lights, accessories etc.

Embedded Pole Section: The embedded pole section shall be either 3', 4' or 5' deep and shall have a 1 1/2" dia. hole grommetted below grade.

Finish: Polyester powder coat. Standard colors in Black (B), White (W), Natural (N) and Architectural Bronze (AB) that closely match Pole Top fixtures, Above Grade fixtures, and accessories. Custom colors available upon request. Supply two (2) samples.

Catalog Code:

Pole	Material	Shape	Base	Diameter / (Top / Bottom)	Wall Thk. /	Nom. Ht (Ft) /	Tenon (O. D. / Length) /	Finish
PO	S = Steel	T = Round Tapered	01 = Embedded (Direct Burial)	3049 = 3" Top / 4.9" Bottom 3052 = 3" Top / 5.2" Bottom (See second page for more sizes)	11 = 11 gauge	10 = 10 FT 12 = 12 FT 14 = 14 FT 16 = 16 FT 18 = 18 FT 20 = 20 FT	0000 = Open Pole 2430 = Ø2 3/8" Dia x 3" L 3030 = Ø3" Dia x 3" L 3010 = Ø3" Dia x 10" L (See second page for more lengths & info.)	B = Black W = White N = Natural AB = Architectural Bronze (for custom colors please specify)

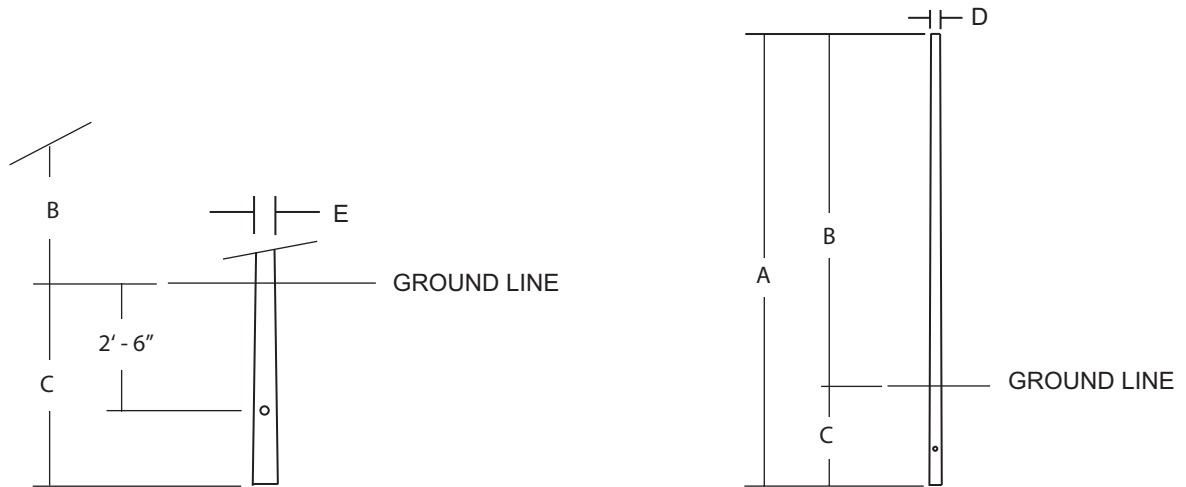
Catalog Example:

POST02/304411/10/3030/B

Pole, Steel Round Tapered, Embedded (Direct Burial), 3" O.D. Top x 4.4" O.D. Bottom x 11 gauge wall, 10 FT High, with 3" OD x 3" L Tenon, Color: Black

(POST01)

Pole EPA and Technical Data



EFFECTIVE PROJECTED AREA (EPA) , DIMENSIONAL AND LOAD CHART

Catalog Numbers (2)	Pole Information							Typical Weight and Allowable Sizes of Luminaires				
	Dimensions and Weight							Luminaire Info.		Max EPA (Ft ²)		
	Exposed Pole Ht. (Ft) (B)	Overall Shaft Length (A)	Top Dia. (D)	Base Dia. (E)	Wall Thk. (ga.)	Pole Wt. (1) (LBS)	Embedded Length (Ft) (C)	Nom. Mtg. Ht. (Ft)	Max. Lum. Wt. (LBS)	80 MPH w/ 1.3 Gust	90 MPH w/ 1.3 Gust	100 MPH w/ 1.3 Gust
POST01/304911/10/	10'	14'	3"	4.96"	11 ga.	75	4'	10'	125	10.0	7.7	6.8
POST01/305211/12/	12'	16'	3"	5.24"	11 ga.	90	4'	12'	125	9.3	7.2	5.7
POST01/305511/14/	14'	18'	3"	5.52"	11 ga.	100	4'	14'	125	8.7	6.6	5.2
POST01/305811/16/	16'	20'	3"	5.80"	11 ga.	110	4'	16'	125	8.1	6.1	4.7
POST01/306011/18/	18'	22'	3"	6.08"	11 ga.	125	4'	18'	125	7.6	5.7	4.3
POST01/306311/20/	20'	24'	3"	6.36"	11 ga.	150	4'	20'	125	7.1	5.3	3.9

Maximum weight and EPA values are based on top mounted luminaires and/or brackets having a centroid 2' - 0" above nominal mounting height.

(1) Includes Pole Shaft Only (Nominal Value)

(2) Catalog numbers do not include tenon option or finish.

2007.11.14

Tenon Codes:

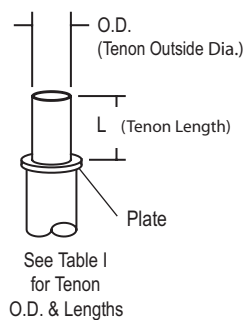
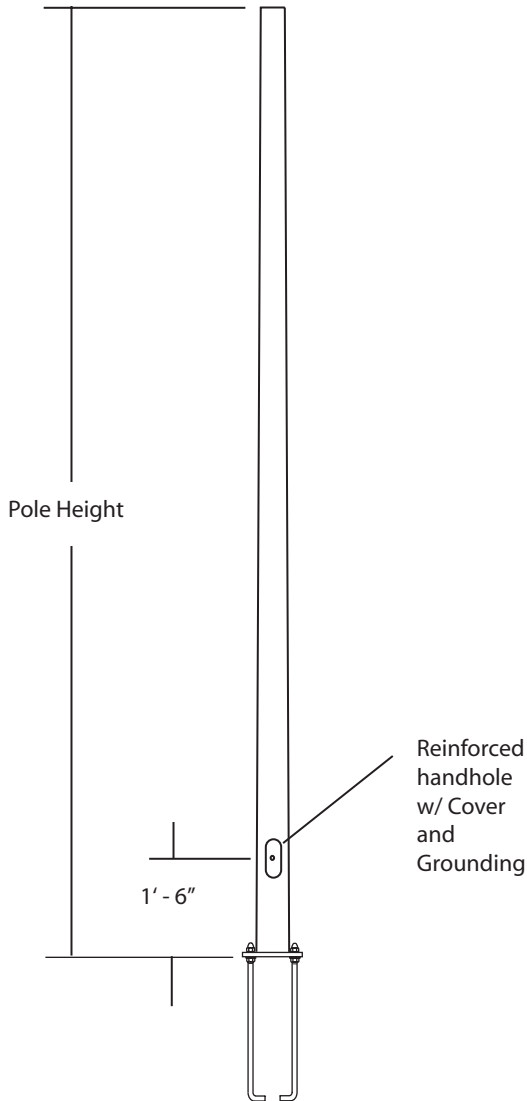


Table I		
O.D. (Tenon Outside Dia.)	XX	XX L (Tenon Length)
24 = Ø 2 3/8"		
30 = Ø 3"		
Examples:		
2430 = Ø 2 3/8" O.D. x 3" L		
3045 = Ø 3" O.D. x 4 1/2" L		
3010 = Ø 3" O.D. x 10" L		
	3" to 9 1/2" (1/2" Increments)	+10" (1" Increments)
	30 = 3"	10 = 10"
	35 = 3 1/2"	11 = 11"
	etc ...	12 = 12"
	90 = 9"	13 = 13"
	95 = 9 1/2"	etc ...

POLE (POSTF)

Steel Round Tapered, Fixed Base, 4 bolt (10' - 25')



Features:

- Steel Round Tapered Fixed Base Pole: 5.9" O.D. though 7" O.D.
- 10' to 25' Mounting Height **.
- For single or multiple luminaire mounting.
- Tenons: Must be use when mounting Luminaire, Flood Lights, or other accessories.

Specifications

Shaft: Steel. Conforms to ASTM A595 Grade-A with an 11 gauge wall thickness and tapers to the top of the pole with no straight section. Must use a tenon when mounting Luminaires, Flood Lights, accessories etc.

Anchor Base: Fabricated from structural quality hot rolled carbon steel plate conforming to ASTM A36. Welded to the pole shaft top and bottom. Includes a 2 piece ABS plastic cover. Optional nut covers (not included), please specify.

Handhole: Reinforced 3" x 5" handhole made of rectangular tubing located 1' - 6" above the base. Provided with a steel attachment bar, steel cover with screw.

Anchor Bolts: 4 steel galvanized anchor bolts with 2 nuts and two flat washers sized to match the anchor bolt.

Finish: Polyester powder coat. Standard colors in Black (B), White (W), Natural (N) and Architectural Bronze (AB) that closely match Pole Top fixtures, Above Grade fixtures, and accessories. Custom colors available upon request. Supply two (2) samples.

Available Options (1):

- Vibration Dampener (for poles with top dia. of 3 1/2" OD or larger)
- Nut Covers (Zinc Die cast).

(1) Not part of standard product. Please specify when ordering.

** Other sizes available, consult factory.

Catalog Code:

Pole	Material	Shape	Base	Diameter (Top / Bottom)	Wall Thk.	Pole Height	Tenon (O. D. / Length)	Finish
PO	S = Steel	T = Round Tapered	F = Fixed	4459 = 4.2" Top / 5.9" Bottom 4559 = 4.5" Top / 5.9" Bottom (See second page for more information)	11 = 11 gauge	10 = 10 FT 12 = 12 FT 14 = 14 FT 16 = 16 FT 18 = 18 FT 20 = 20 FT 25 = 25 FT	0000 = Open Pole 2430 = Ø2 3/8" Dia x 3" L 3030 = Ø3" Dia x 3" L 3010 = Ø3" Dia x 10" L (See second page for more lengths & info.)	B = Black W = White N = Natural AB = Architectural Bronze (for custom colors please specify)

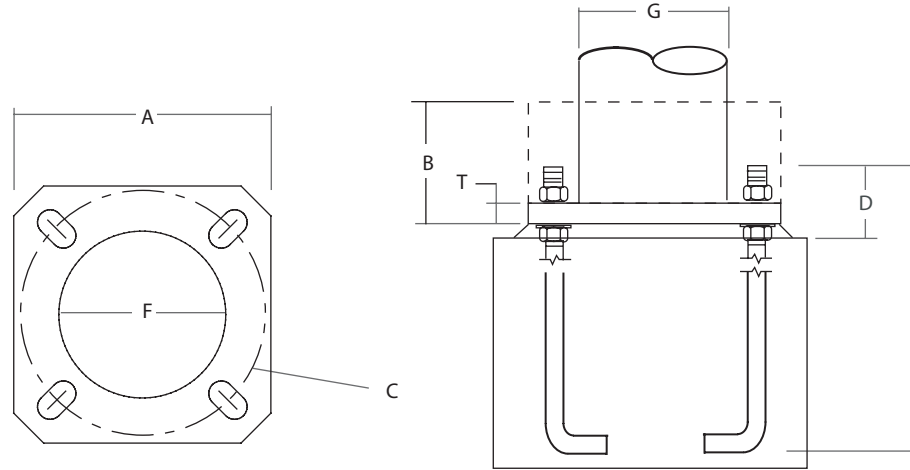
Catalog Example:

POSTF/455911/12/3030/B

Pole, Steel, Round Tapered Fixed Base, 4.5" O.D. Top x 5.9" O.D. Bottom x 11 gauge wall, 12 FT High, with 3" OD x 3" L Tenon, Color: Black

(POSTF)

Pole EPA and Technical Data



EFFECTIVE PROJECTED AREA (EPA), DIMENSIONAL AND LOAD CHART

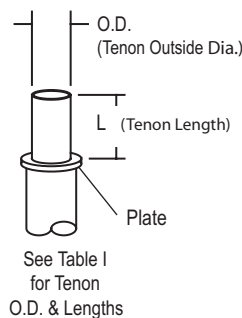
Catalog Numbers (2)	Pole Information											Typical Weight and Allowable Sizes of Luminaires												
	Dimensions and Weight				Base Dimensions			Anchor Base and Opening Details				Effective Projected Area In Square Feet At: (3)												
	Pole Ht. (Ft)	Top Dia.	Base Dia. (G)	Wall Thk. (ga.)	Pole Wt. (1) (LBS)	Base Width (A)	Base Ht. (B)	Base Thk. (T)	Bolt Circle (C)	Bolt Proj. (D)	Anchor Bolts (E)	Conduit Opening (F)	70 MPH (4)		80 MPH (4)		90 MPH (4)		100 MPH (4)		110 MPH (4)		120 MPH (4)	
													Max. EPA (Ft²)	Max. Lum. Wt. (LBS)	Max. EPA (Ft²)	Max. Lum. Wt. (LBS)	Max. EPA (Ft²)	Max. Lum. Wt. (LBS)	Max. EPA (Ft²)	Max. Lum. Wt. (LBS)	Max. EPA (Ft²)	Max. Lum. Wt. (LBS)	Max. EPA (Ft²)	Max. Lum. Wt. (LBS)
POSTF/455911/10/	10'	4.5"	5.9"	11 ga.	96	10"	5.38"	.88"	9" +/- 1/2"	4.13" ± 0.25"	1" x 36"	5.5"	60.0	1500	47.0	1175	37.0	925	30.0	750	25.0	625	21.0	525
POSTF/425911/12/	12'	4.2"	5.9"	11 ga.	108	10"	5.38"	.88"	9" +/- 1/2"	4.13" ± 0.25"	1" x 36"	5.5"	51.0	1275	39.0	975	31.0	775	25.0	625	27.0	525	18.0	450
POSTF/395911/14/	14'	3.9"	5.9"	11 ga.	119	10"	5.38"	.88"	9" +/- 1/2"	4.13" ± 0.25"	1" x 36"	5.5"	42.0	1050	32.0	800	26.0	650	21.0	525	17.8	444	15.0	375
POSTF/365911/16/	16'	3.6"	5.9"	11 ga.	129	10"	5.38"	.88"	9" +/- 1/2"	4.13" ± 0.25"	1" x 36"	5.5"	35.0	875	27.0	675	22.0	550	18.0	450	15.0	375	12.5	325
POSTF/335911/18/	18'	3.3"	5.9"	11 ga.	138	10"	5.38"	.88"	9" +/- 1/2"	4.13" ± 0.25"	1" x 36"	5.5"	30.8	770	23.0	575	18.0	450	15.0	375	12.8	319	10.5	263
POSTF/315911/20/	20'	3.1"	5.9"	11 ga.	140	10"	5.38"	.88"	9" +/- 1/2"	4.13" ± 0.25"	1" x 36"	5.5"	26.0	650	19.3	482	15.1	377	12.2	305	10.5	262	8.5	212
POSTF/357011/25/	25'	3.5"	7.0"	11 ga.	200	10.88"	5.38"	.88"	10" +/- 1/2"	4.13" ± 0.25"	1" x 36"	7.5"	26.0	650	20.3	507	16.2	405	13.1	327	10.8	270	9.0	225

Maximum weight and EPA values are based on top mounted luminaires and/or brackets having a centroid 2' - 0" above nominal mounting height.

- (1) Includes Pole Shaft and Base Plate Only (Nominal Value)
- (2) Catalog numbers do not include tenon option or finish.
- (3) Additional pole heights and sizes available with different EPA. Consult factory for options.
- (4) with 1.3 Gust.

2007.10.31

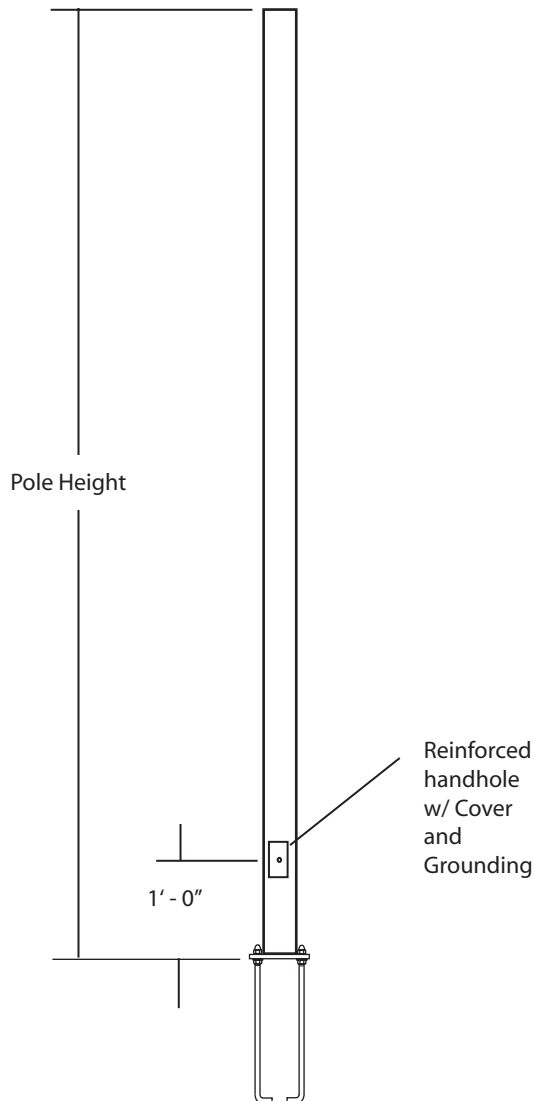
Tenon Codes:



O.D. (Tenon Outside Dia.)	XX XX L (Tenon Length)
24 = Ø 2 3/8"	3" to 9 1/2" (1/2" Increments)
30 = Ø 3"	+10" (1" Increments)
Examples:	
2430 = Ø2 3/8" O.D. x 3" L	10 = 10"
3045 = Ø3" O.D. x 4 1/2" L	11 = 11"
3010 = Ø3" O.D. x 10" L	12 = 12"
	90 = 9"
	13 = 13"
	etc ...

POLE (POSRF)

Steel Round Straight, Fixed Base, 4 bolt (10' - 20')



Features:

- Steel Round Straight Fixed Base Pole: 5.9" O.D. though 7" O.D.
- 10' to 20' Mounting Height **.
- For single or multiple luminaire mounting.
- Tenons: Must be use when mounting Luminaire, Flood Lights, or other accessories.

Specifications

Shaft: Hot rolled steel with an 11 gauge wall thickness. Must use a tenon when mounting Luminaires, Flood Lights, accessories etc.

Anchor Base: Fabricated from structural quality hot rolled carbon steel plate conforming to ASTM A36. Welded to the pole shaft top and bottom. Includes a 2 piece ABS plastic cover. Optional nut covers (not included), please specify.

Handhole: Reinforced 2 1/2" x 5" handhole made of rectangular tubing located 1' - 0" above the base. Provided with a steel attachment bar, steel cover with screw.

Anchor Bolts: 4 steel galvanized anchor bolts with 2 nuts and two flat washers sized to match the anchor bolt.

Finish: Polyester powder coat. Standard colors in Black (B), White (W), Natural (N) and Architectural Bronze (AB) that closely match Pole Top fixtures, Above Grade fixtures, and accessories. Custom colors available upon request. Supply two (2) samples.

Available Options (1):

- Vibration Dampener (for poles with top dia. of 3 1/2" OD or larger)
- Nut Covers (Zinc Die cast).

(1) Not part of standard product. Please specify when ordering.

** Other sizes available, consult factory.

Catalog Code:

Pole	Material	Shape	Base	Diameter (Top / Bottom)	Wall Thk.	Pole Height	Tenon (O. D. / Length)	Finish
PO	S = Steel	R = Round Straight	F = Fixed	3030 = 3" Top / 3" Bottom 4040 = 4" Top / 4" Bottom	11 = 11 gauge	10 = 10 FT 12 = 12 FT 14 = 14 FT 16 = 16 FT 18 = 18 FT 20 = 20 FT	0000 = Open Pole 2430 = Ø2 3/8" Dia x 3" L 3030 = Ø3" Dia x 3" L 3010 = Ø3" Dia x 10" L (See second page for more lengths & info.)	B = Black W = White N = Natural AB = Architectural Bronze (for custom colors please specify)

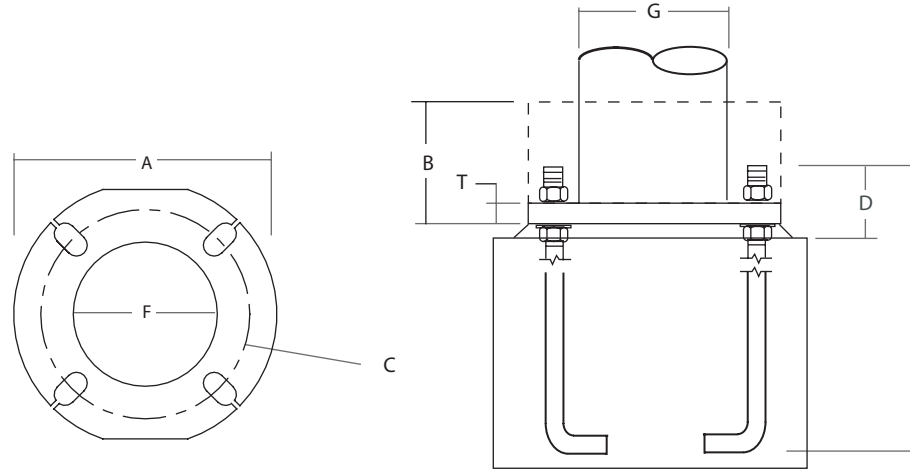
Catalog Example:

POSRF/404011/12/3030/B

Pole, Steel Round Straight, Fixed Base, 4" O.D. Top x 4" O.D. Bottom x 11 gauge wall, 12 FT High, with 3" OD x 3" L Tenon, Color: Black

(POSRF)

Pole EPA and Technical Data



EFFECTIVE PROJECTED AREA (EPA), DIMENSIONAL AND LOAD CHART

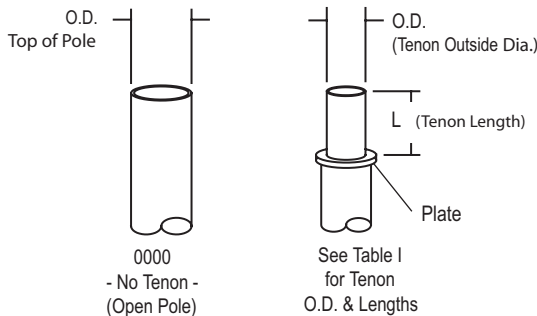
Catalog Numbers (2)	Pole Information												Typical Weight and Allowable Sizes of Luminaires											
	Dimensions and Weight					Base Dimensions			Anchor Base and Opening Details				Effective Projected Area In Square Feet At: (3)											
	Pole Ht. (Ft)	Top Dia.	Base Dia. (G)	Wall Thk. (ga.)	Pole Wt. (1) (LBS)	Base Width (A)	Base Thk. (T)	Base Ht. (B)	Bolt Circle (C)	Bolt Proj. (D)	Anchor Bolts (E)	Conduit Opening (F)	Max EPA (Ft²)	Max. Lum. Wt. (LBS)	70 MPH (4)	80 MPH (4)	90 MPH (4)	100 MPH (4)	110 MPH (4)	120 MPH (4)				
POSRF/303011/10/	10'	3"	3"	11 ga.	55	10.5"	.75"	4.5"	8" +/- 1"	3.50" ± 0.25"	.75" x 17"	2.62"	10.8	340	8.0	240	6.2	180	4.8	165	4.0	115	3.2	90
POSRF/404011/10/	10'	4"	4"	11 ga.	70	10.5"	.75"	4.5"	8" +/- 1"	3.50" ± 0.25"	.75" x 17"	3.62"	20.8	640	15.3	470	12.0	365	9.8	295	8.0	240	6.8	215
POSRF/303011/12/	12'	3"	3"	11 ga.	60	10.5"	.75"	4.5"	8" +/- 1"	3.50" ± 0.25"	.75" x 17"	2.62"	8.9	265	6.4	185	4.8	135	3.6	120	3.0	90	2.5	65
POSRF/404011/12/	12'	4"	4"	11 ga.	80	10.5"	.75"	4.5"	8" +/- 1"	3.50" ± 0.25"	.75" x 17"	3.62"	17.2	515	12.4	380	9.8	290	7.9	230	6.6	190	5.6	165
POSRF/303011/14/	14'	3"	3"	11 ga.	70	10.5"	.75"	4.5"	8" +/- 1"	3.50" ± 0.25"	.75" x 17"	2.62"	7.4	215	5.1	165	3.7	120	2.8	80	2.2	65	1.8	65
POSRF/404011/14/	14'	4"	4"	11 ga.	90	10.5"	.75"	4.5"	8" +/- 1"	3.50" ± 0.25"	.75" x 17"	3.62"	14.4	440	10.4	295	8.0	240	6.4	185	5.5	165	4.5	140
POSRF/303011/16/	16'	3"	3"	11 ga.	80	10.5"	.75"	4.5"	8" +/- 1"	3.50" ± 0.25"	.75" x 17"	2.62"	5.9	165	4.0	115	2.8	90	2.0	50	1.5	40	1.1	40
POSRF/404011/16/	16'	4"	4"	11 ga.	100	10.5"	.75"	4.5"	8" +/- 1"	3.50" ± 0.25"	.75" x 17"	3.62"	11.9	340	8.3	240	6.4	175	5.1	140	4.3	115	3.5	115
POSRF/303011/18/	18'	3"	3"	11 ga.	90	10.5"	.75"	4.5"	8" +/- 1"	3.50" ± 0.25"	.75" x 17"	2.62"	4.6	140	3.0	80	2.0	50	1.2	60	0.8	40	0.6	40
POSRF/404011/18/	18'	4"	4"	11 ga.	110	10.5"	.75"	4.5"	8" +/- 1"	3.50" ± 0.25"	.75" x 17"	3.62"	9.7	265	6.7	180	5.0	170	4.0	120	3.4	90	2.8	90
POSRF/303011/20/	20'	3"	3"	11 ga.	100	10.5"	.75"	4.5"	8" +/- 1"	3.50" ± 0.25"	.75" x 17"	2.62"	3.7	115	2.1	90	1.2	65	-	-	-	-	-	-
POSRF/404011/20/	20'	4"	4"	11 ga.	120	10.5"	.75"	4.5"	8" +/- 1"	3.50" ± 0.25"	.75" x 17"	3.62"	8.0	215	5.3	140	4.0	140	3.1	115	2.6	65	2.1	65

Maximum weight and EPA values are based on top mounted luminaires and/or brackets having a centroid 2' - 0" above nominal mounting height.

- (1) Includes Pole Shaft and Base Plate Only (Nominal Value)
- (2) Catalog numbers do not include tenon option or finish.
- (3) Additional pole heights and sizes available with different EPA. Consult factory for options.
- (4) with 1.3 Gust.

2007.11.14

Tenon Codes:

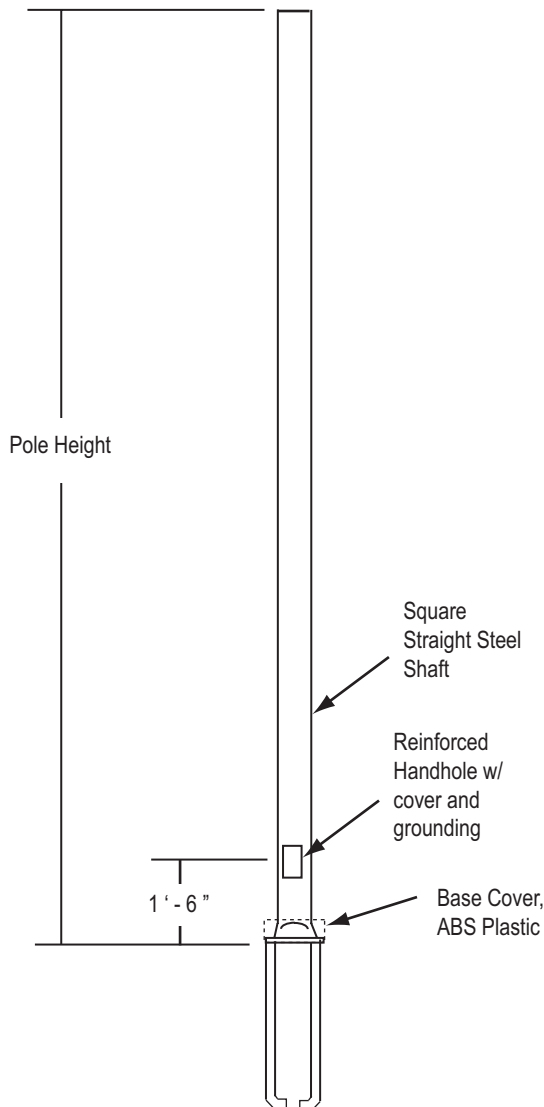


O.D. (Tenon Outside Dia.)	L (Tenon Length)
24 = Ø 2 3/8"	3" to 9 1/2" (1/2" Increments)
30 = Ø 3"	+10" (1" Increments)
00 = No Tenon (Open Pole)	30 = 3"
	35 = 3 1/2"
	etc ...
	90 = 9"
	95 = 9 1/2"
	etc ...
	10 = 10"
	11 = 11"
	12 = 12"
	13 = 13"
	etc ...
	00 = No Tenon (Open Pole)

Examples:
 2430 = Ø2 3/8" O.D. x 3" L
 3045 = Ø3" O.D. x 4 1/2" L
 3010 = Ø3" O.D. x 10" L
 0000 = Open Pole (No Tenon)

POLE (POSQF)

Steel Square Straight, Fixed Base, 4 bolt (10' - 25') - Fatigue Resistant



Features:

- Steel Square Straight Fixed Base Pole: 4" O.D.
- 10' to 25' Mounting Height **.
- For single or multiple luminaire mounting.
- Tenons: Must be use when mounting Luminaire, Flood Lights, or other accessories.

Specifications

Shaft: Hot rolled steel with an 11 gauge wall thickness. Must use a tenon when mounting luminaires, Flood Lights, accessories etc.

Anchor Base: Fabricated from structural quality hot rolled carbon steel plate conforming to ASTM A36. Welded to the pole shaft top and bottom.

Handhole: Reinforced 2 1/2" x 5" handhole made of rectangular tubing located 1' - 6" above the base. Provided with a steel attachment bar, steel cover with screw.

Anchor Bolts: 4 steel galvanized anchor bolts with 2 nuts and two flat washers sized to match the anchor bolt.

Finish: Polyester powder coat. Standard colors in Black (B), White (W), Natural (N) and Architectural Bronze (AB) that closely match Pole Top fixtures, Above Grade fixtures, and accessories. Custom colors available upon request. Supply two (2) samples.

Available Options (1):

- Vibration Dampener (for poles with top dia. of 3 1/2" OD or larger)

(1) Not part of standard product. Please specify when ordering.

** Other sizes available, consult factory.

Catalog Code:

Pole	Material	Shape	Base	Diameter / (Top / Bottom)	Wall Thk. /	Pole Height /	Tenon (O. D. / Length) /	Finish
PO	S = Steel	Q = Square Straight	F = Fixed)	4040 = 4" Top / 4" Bottom	11 = 11 gauge	10 = 10 FT 12 = 12 FT 14 = 14 FT 16 = 16 FT 18 = 18 FT 20 = 20 FT 25 = 25 FT	2430 = Ø2 3/8" Dia x 3" L 3030 = Ø3" Dia x 3" L 3010 = Ø3" Dia x 10" L (See second page for more lengths & info.)	B = Black W = White N = Natural AB = Architectural Bronze (for custom colors please specify)

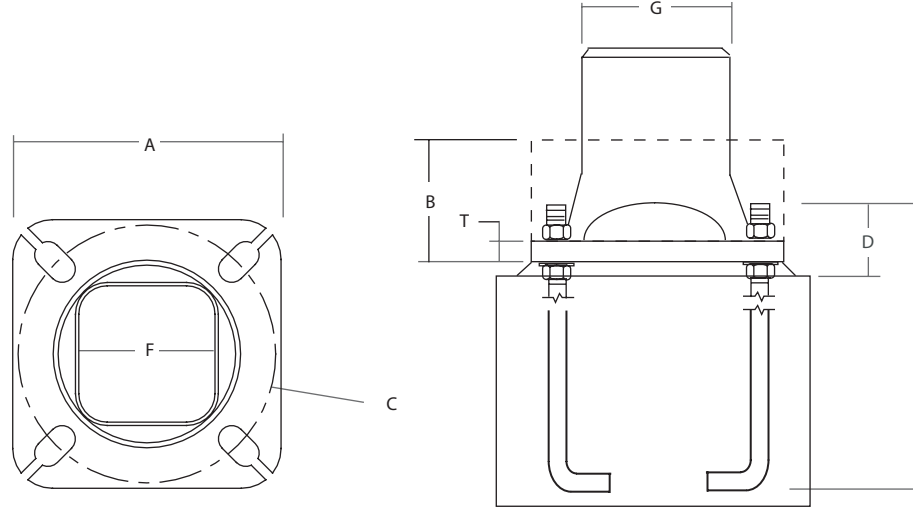
Catalog Example:

POSQF/404011/10/3030/B

Pole, Aluminum Square Fixed, 4" Top x 4" Bottom x 11 gauge wall, 10 FT High, with 3" OD x 3" L Tenon, Color: Black

(POSQF)

Pole EPA and Technical Data



EFFECTIVE PROJECTED AREA (EPA), DIMENSIONAL AND LOAD CHART

Catalog Numbers (2)	Pole Information												Typical Weight and Allowable Sizes of Luminaires											
	Dimensions and Weight					Base Dim.		Anchor Base and Opening Details					Effective Projected Area In Square Feet At: (3)											
	Pole Ht.	Top Width	Base Width (G)	Wall Thk. (ga.)	Pole Wt. (1) (LBS)	Base Width (A)	Base Ht. (B)	Bolt Circle (C)	Bolt Proj. (D)	Anchor Bolts (E)	Conduit Opening (F)	70 MPH (4)		80 MPH (4)		90 MPH (4)		100 MPH (4)		110 MPH (4)		120 MPH (4)		
												Max. EPA (Ft²)	Max. Lum. Wt. (LBS)	Max. EPA (Ft²)	Max. Lum. Wt. (LBS)	Max. EPA (Ft²)	Max. Lum. Wt. (LBS)	Max. EPA (Ft²)	Max. Lum. Wt. (LBS)	Max. EPA (Ft²)	Max. Lum. Wt. (LBS)	Max. EPA (Ft²)	Max. Lum. Wt. (LBS)	
POSQF/404011/10/	10'	4"	4"	11 ga.	75	8.25"	.75"	8.5" +/- 1/2"	3.50" ± 0.25"	.75" x 17"	4.63"	30.4	940	24.5	755	19.0	585	15.1	463	11.6	353	9.6	290	
POSQF/404011/12/	12'	4"	4"	11 ga.	90	8.25"	.75"	8.5" +/- 1/2"	3.50" ± 0.25"	.75" x 17"	4.63"	25.7	765	20.2	600	15.6	460	12.2	360	9.4	273	7.6	220	
POSQF/404011/14/	14'	4"	4"	11 ga.	100	8.25"	.75"	8.5" +/- 1/2"	3.50" ± 0.25"	.75" x 17"	4.63"	21.6	625	16.9	488	12.8	368	9.9	283	7.5	210	5.9	165	
POSQF/404011/16/	16'	4"	4"	11 ga.	115	8.25"	.75"	8.5" +/- 1/2"	3.50" ± 0.25"	.75" x 17"	4.63"	17.7	503	13.8	388	10.2	285	7.7	213	5.8	158	4.3	115	
POSQF/404011/18/	18'	4"	4"	11 ga.	125	8.25"	.75"	8.5" +/- 1/2"	3.50" ± 0.25"	.75" x 17"	4.63"	14.9	415	11.1	305	8.1	220	5.9	158	4.2	110	3.1	78	
POSQF/404011/20/	20'	4"	4"	11 ga.	140	8.25"	.75"	8.5" +/- 1/2"	3.50" ± 0.25"	.75" x 17"	4.63"	12.3	335	8.5	230	6.0	157	4.0	140	2.9	73	1.7	38	
POSQF/404011/25/	25'	4"	4"	11 ga.	170	8.25"	.75"	8.5" +/- 1/2"	3.50" ± 0.25"	.75" x 17"	4.63"	7.5	195	4.4	140	2.4	90	-	-	-	-	-	-	

Maximum weight and EPA values are based on top mounted luminaires and/or brackets having a centroid 2' - 0" above nominal mounting height.

- (1) Includes Pole Shaft and Base Plate Only (Nominal Value)
- (2) Catalog numbers do not include tenon option or finish.
- (3) Additional pole heights and sizes available with different EPA. Consult factory for options.
- (4) with 1.3 Gust.

2007.10.31

Tenon Codes:

Tenons are designed for single luminaire mounting.
When eccentric loads or multiple luminaires mounting is required, contact factory for evaluation.

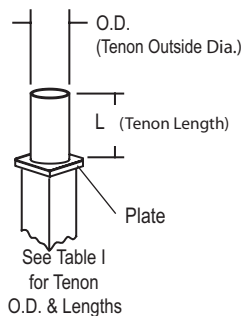


Table I	
O.D. (Tenon Outside Dia.)	L (Tenon Length)
24 = Ø 2 3/8"	3" to 9 1/2" (1/2" Increments)
30 = Ø 3"	+10" (1" Increments)
Examples:	
2430 = Ø2 3/8" O.D. x 3" L	30 = 3"
3045 = Ø3" O.D. x 4 1/2" L	35 = 3 1/2"
3010 = Ø3" O.D. x 10" L	etc ...
	90 = 9"
	95 = 9 1/2"
	10 = 10"
	11 = 11"
	12 = 12"
	13 = 13"
	etc ...

Accessories

Aluminum Bullhorn Brackets for Round Poles or Tenons

Ideal for Pole Top and Flood Lights luminaires

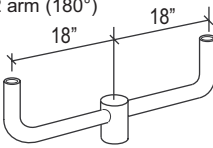
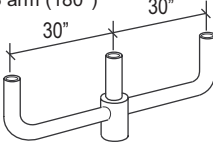
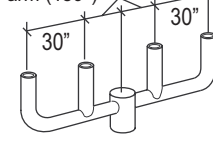
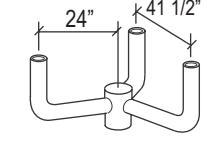
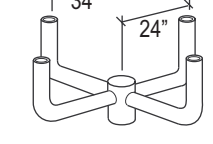
Bracket EPA and Technical Data

Bracket tenon loading is calculated for weights based on a 100 M.P.H. constant wind with a 1.3 gust factor located 30' above grade.

When bracket tenon loading requirements exceed these limits contact factory for evaluation.

Note: Finishes for products on this page closely match Pole Top fixtures, Above Grade fixtures. Custom colors available upon request. Supply two (2) samples.

EFFECTIVE PROJECTED AREA (EPA) , DIMENSIONAL AND LOAD CHART

Description	Catalog Numbers (1)	Bracket Information			Luminaire Info.		
		Base Size (Fits over a round tenon or pole)	Brkt. Wt. (LBS)	Tenon Size (O.D. x Len)	Brkt. EPA	Max. Lum. Wt. Load per Tenon (100 MPH)	Max. Lum. EPA Load per Tenon (100 MPH)
 <p>Twin Bullhorn Bracket 2 arm (180°)</p>	PA0002-244530/	Tenon: Ø3" O.D. x 6" Long. Pole: Ø3" O.D.	8	Ø2 3/8" x 4 1/2" L	0.78	100 LBS	5.3
	PA0002-244540/	Tenon: Ø4" O.D. x 6" Long. Pole: Ø4" O.D.	9				
	PA0002-244545/	Tenon: Ø4 1/2" O.D. x 6" Long. Pole: Ø4 1/2" O.D.	9.5				
	PA0002-244550/	Tenon: Ø5" O.D. x 6" Long. Pole: Ø5" O.D.	10				
	PA0002-244560/	Tenon: Ø6" O.D. x 6" Long. Pole: Ø6" O.D.	11				
 <p>Triple Bullhorn Bracket 3 arm (180°)</p>	PA0003-244530/	Tenon: Ø3" O.D. x 6" Long. Pole: Ø3" O.D.	12	Ø2 3/8" x 4 1/2" L	1.21	100 LBS	4.4
	PA0003-244540/	Tenon: Ø4" O.D. x 6" Long. Pole: Ø4" O.D.	14				
	PA0003-244545/	Tenon: Ø4 1/2" O.D. x 6" Long. Pole: Ø4 1/2" O.D.	14				
	PA0003-244550/	Tenon: Ø5" O.D. x 6" Long. Pole: Ø5" O.D.	15				
	PA0003-244560/	Tenon: Ø6" O.D. x 6" Long. Pole: Ø6" O.D.	15.5				
 <p>Quad Bullhorn Bracket 4 arm (180°)</p>	PA0004-244530/	Tenon: Ø3" O.D. x 6" Long. Pole: Ø3" O.D.	16	Ø2 3/8" x 4 1/2" L	1.76	100 LBS	2.2
	PA0004-244540/	Tenon: Ø4" O.D. x 6" Long. Pole: Ø4" O.D.	17				
	PA0004-244545/	Tenon: Ø4 1/2" O.D. x 6" Long. Pole: Ø4 1/2" O.D.	18				
	PA0004-244550/	Tenon: Ø5" O.D. x 6" Long. Pole: Ø5" O.D.	19				
	PA0004-244560/	Tenon: Ø6" O.D. x 6" Long. Pole: Ø6" O.D.	20				
 <p>Triple Bullhorn Bracket 3 arm (120°)</p>	PA0005-244530/	Tenon: Ø3" O.D. x 6" Long. Pole: Ø3" O.D.	12.5	Ø2 3/8" x 4 1/2" L	0.88	100 LBS	4.8
	PA0005-244540/	Tenon: Ø4" O.D. x 6" Long. Pole: Ø4" O.D.	13.5				
	PA0005-244545/	Tenon: Ø4 1/2" O.D. x 6" Long. Pole: Ø4 1/2" O.D.	14				
	PA0005-244550/	Tenon: Ø5" O.D. x 6" Long. Pole: Ø5" O.D.	15				
	PA0005-244560/	Tenon: Ø6" O.D. x 6" Long. Pole: Ø6" O.D.	16				
 <p>Quad Bullhorn Bracket 4 arm (90°)</p>	PA0006-244530/	Tenon: Ø3" O.D. x 6" Long. Pole: Ø3" O.D.	16	Ø2 3/8" x 4 1/2" L	1	100 LBS	4.8
	PA0006-244540/	Tenon: Ø4" O.D. x 6" Long. Pole: Ø4" O.D.	17				
	PA0006-244545/	Tenon: Ø4 1/2" O.D. x 6" Long. Pole: Ø4 1/2" O.D.	17.5				
	PA0006-244550/	Tenon: Ø5" O.D. x 6" Long. Pole: Ø5" O.D.	18.5				
	PA0006-244560/	Tenon: Ø6" O.D. x 6" Long. Pole: Ø6" O.D.	19.5				

2007.10.31

Variations from sizes listed above are available upon request, please consult factory. For custom brackets please consult factory.

(1) Catalog numbers do not include finish. See pole spec page for finish codes

Dash Number Codes & Tenons:

Pole Tenons (for aluminum pole only) are designed for single luminaire mounting. When eccentric loads or multiple luminaires mounting is required, contact factory for evaluation.

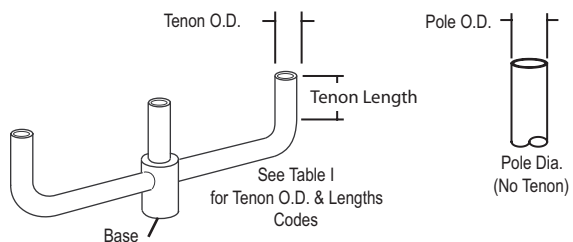


Table I (Dash Numbers)	
<p>Tenon O.D. — XX</p> <p>24 = Ø2 3/8" O.D.</p>	<p>YY ZZ / XX</p> <p>Finish: (see pole finish colors for codes)</p>
<p>Tenon Length — ZZ</p> <p>45 = 4 1/2" L</p> <p>(For other custom tenon lengths please contact factory for evaluation).</p>	<p>Base (Fits over a Tenon Dia. x Length or Pole Dia. w/ no tenon)</p> <p>30 = Ø3" x 4 1/2" L</p> <p>40 = Ø4" x 4 1/2" L</p> <p>45 = Ø4 1/2" x 4 1/2" L</p> <p>50 = Ø5" x 4 1/2" L</p> <p>60 = Ø6" x 4 1/2" L</p>
<p>Dash Number Examples:</p> <p>-244530 = Tenon Ø2 3/8" O.D. x 4 1/2" L. Fits over a Ø3" Pole</p> <p>-244560 = Tenon Ø2 3/8" O.D. x 4 1/2" L. Fits over a Ø6" Pole</p>	

Accessories

Aluminum Bullhorn Brackets for Square Aluminum Poles

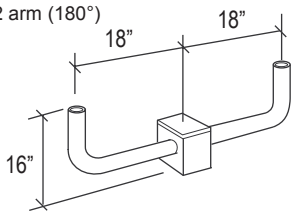
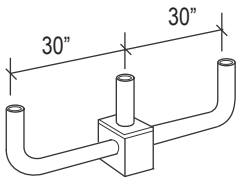
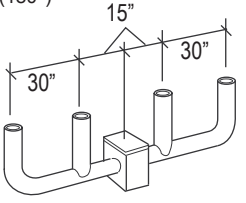
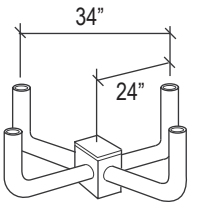
Bracket EPA and Technical Data

Ideal for Pole Top and Flood Lights luminaires

Bracket tenon loading is calculated for weights based on a 100 M.P.H. constant wind with a 1.3 gust factor located 30' above grade. When bracket tenon loading requirements exceed these limits contact factory for evaluation.

Note: Finishes for products on this page closely match Pole Top fixtures, Above Grade fixtures. Custom colors available upon request. Supply two (2) samples.

EFFECTIVE PROJECTED AREA (EPA) , DIMENSIONAL AND LOAD CHART

Description	Catalog Numbers (1)	Bracket Information			Luminaire Info.		
		Base Size (Flush mounts on a Square Aluminum Pole)	Bracket Wt. (LBS)	Tenon Size (O.D. x Len)	Bracket EPA	Max. Lum. Wt. Load per Tenon (100 MPH)	Max Lum. EPA Load per Tenon (100 MPH)
Twin Bullhorn Bracket 2 arm (180°) 	PA0007-244540/	Pole: 4" Square	19	Ø2 3/8" x 4 1/2" L	0.8	100 LBS	5.3
	PA0007-244550/	Pole: 5" Square	21				
	PA0007-244560/	Pole: 6" Square	23				
Triple Bullhorn Bracket 3 arm (180°) 	PA0008-244540/	Pole: 4" Square	23	Ø2 3/8" x 4 1/2" L	1.5	100 LBS	6.0
	PA0008-244550/	Pole: 5" Square	24.5				
	PA0008-244560/	Pole: 6" Square	26.5				
Quad Bullhorn Bracket 4 arm (180°) 	PA0009-244540/	Pole: 4" Square	22	Ø2 3/8" x 4 1/2" L	2.25	75 LBS	4.0
	PA0009-244550/	Pole: 5" Square	24				
	PA0009-244560/	Pole: 6" Square	26				
Quad Bullhorn Bracket 4 arm (90°) 	PA0010-244540/	Pole: 4" Square	15	Ø2 3/8" x 4 1/2" L	1.7	100 LBS	6.0
	PA0010-244550/	Pole: 5" Square	15.5				
	PA0010-244560/	Pole: 6" Square	16.5				

2013.2.6

Variations from sizes listed above are available upon request, please consult factory. For custom brackets please consult factory.

(1) Catalog numbers do not include finish. See pole spec page for finish codes

Dash Number Codes & Tenons:

Pole Tenons (for aluminum pole only) are designed for single luminaire mounting. When eccentric loads or multiple luminaires mounting is required, contact factory for evaluation.

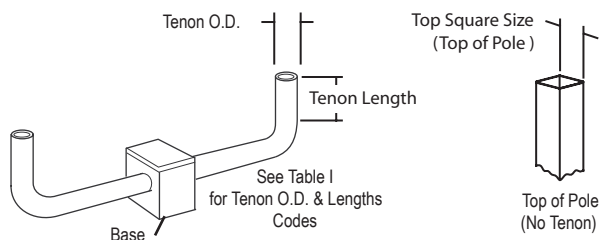


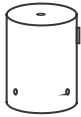
Table I (Dash Numbers)	
Tenon O.D. \overline{XX} \overline{YY} $\overline{ZZ} / \overline{XX}$ Tenon O.D. $\overline{24} = \text{Ø}2 \text{ } 3/8" \text{ O.D.}$ Tenon Length $\overline{45} = 4 \text{ } 1/2" \text{ L}$ (For other custom tenon lengths please contact factory for evaluation).	Finish: (see pole finish colors for codes) Base (Top Square Size) $\overline{40} = 4" \text{ Square Pole}$ $\overline{50} = 5" \text{ Square Pole}$ $\overline{60} = 6" \text{ Square Pole}$ Dash Number Examples: -244540 = Tenon Ø2 3/8" O.D. x 4 1/2" L. Flush mounts over a 4" Pole -244560 = Tenon Ø2 3/8" O.D. x 4 1/2" L. Flush mounts over a 6" Pole

Accessories

Wall Arms and Adapters

Adapters (PA) (For Pole Tops, Flood Lights, Brackets, etc)

Note: Finishes for products on this page closely match Pole Top fixtures, Above Grade fixtures. Custom colors available upon request. Supply two (2) samples.



Flood Light Tenon Adapter

- Mounts AG800 and AG500 Series fixtures on poles, tenons, Wall Brackets, accessories, etc.
- Includes liquid tight fitting for cord entry in pole.

Catalog No's :
 - AG500 Series
 PA0025-2430/** (Fits 2 3/8" OD x 3" L Tenon)
 PA0026-3035/** (Fits 3" OD x 3 1/2" L Tenon)
 - AG800 Series:
 PA0011-2430/** (Fits 2 3/8" OD x 3" L Tenon)
 PA0012-3035/** (Fits 3" OD x 3 1/2" L Tenon)
 EPA: 0.12 ft². Weight: 3 LBS.
 ** (Cat No. does not include finish code. See fixture for finish code)



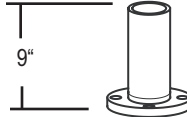
Pole Mount Adapter

- Mounts a PM907 or PM909 to Pole

Catalog No.:
 PA0013-2435/ (PM907 fixture)
 PA0014-2435/ (PM909 fixture)
 (Cat No. does not include finish code. See fixture for finish code)

Fits over a 2 3/8" O.D. x 3 1/2" long tenon
 Other lengths available. Consult factory.

EPA : 0.9 ft² . Weight: 5 LBS.

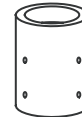


Pier Mount Adapter

- Allows Pole Top fixtures to mount on Pier

Catalog No.:
 PA0015-2460/** (2 3/8" OD x 6" L Tenon)
 PA0015-3060/** (3" OD x 6" L Tenon)
 ** (Does not include finish code. See fixture for finish code)

Base: 6" Dia. with 2" of bolt clearance.
 Bolt Circle : 4 3/4" DIA. w/ four (4) 3/4" holes
 Other lengths available. Consult Factory.



Tenon Adapter (3" O.D x 5" Long)

- Changes Tenon size from 2 3/8 OD to 3" OD x 5" Long.

Catalog No.:
 PA0016-244550/
 (Cat No. does not include finish code. See fixture for finish code)

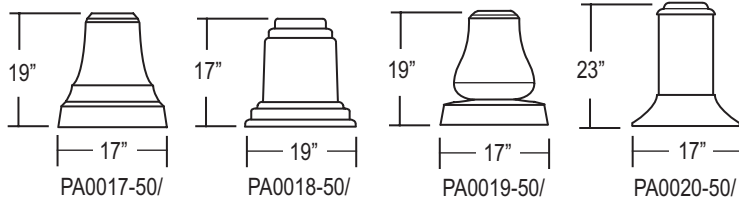
Fits over a 2 3/8" O.D. x 4 1/2" long tenon
 Other lengths available. Consult factory.

Weight: 4.5 LBS.

Aluminum Spun Anchor Base Covers

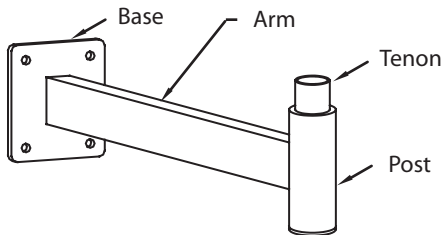
- Fits over a 5" O.D. base aluminum 4 bolt, 3 bolt, and embedded pole (when there are no obstructions on the pole).

Catalog No.:
 PA0017-50/, PA0018-50/, PA0019-50/, PA0012-50/
 (Cat No. does not include finish code. See fixture for finish code)



Aluminum and Steel Square Wall Arm (WAQ)

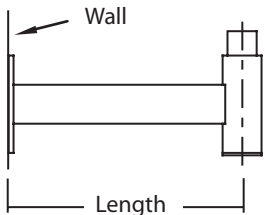
(For Pole Tops, Flood Lights, Brackets, etc)



Catalog Code:

Arm	Shape	Product Type (Sequence)	Length (Wall to Ctr of Post)	Tenon (O. D. / Length)	Finish
WA	Q = Square	0001, 0002, etc.	24 = 24" 30 = 30"	2430 = Ø2 3/8" Dia x 3" L 3030 = Ø3" Dia x 3" L (See below for more lengths & info.)	B = Black W = White N = Natural AB = Architectural Bronze (for custom colors please specify)

Example:
 WAQ0001/24/3030/AB
 Wall Arm Square, 24" Length, with 3" OD x 3" L Tenon,
 Color: Architectural Bronze



EFFECTIVE PROJECTED AREA (EPA) , DIMENSIONAL AND LOAD CHART

Catalog Numbers (1)	Material	Arm Dimensions & Weight				Typical Weights and Allowable Sizes of Luminaires (1)								
		Base Dimensions		Opening		Luminaire Typ. Lum. Wt. (LBS)	EPA In Square Feet At: (3)							
		Length	Base (W x H)	Hole Distance (W x H)	Hole Size		Rear Opening	70 MPH	80 MPH	90 MPH	100 MPH	110 MPH	120 MPH	
WAQ0001/24/...	Aluminum	24"	8" x 10"	5 1/2" X 7 1/2"	3/4" O.D.	1.5" x 3 1/2"	15	150	9.5	7.2	5.6	4.5	3.6	3.0
WAQ0002/24/...		24"	8" x 10"	5 1/2" X 7 1/2"	3/4" O.D.	1.5" x 3 1/2"	17	150	16.7	12.7	9.9	7.9	6.5	5.4
WAQ0003/30/...		30"	8" x 10"	5 1/2" X 7 1/2"	3/4" O.D.	1.5" x 3 1/2"	16	150	9.5	7.2	5.6	4.5	3.6	3.0
WAQ0004/30/...	Steel	30"	8" x 10"	5 1/2" X 7 1/2"	3/4" O.D.	1.5" x 3 1/2"	18	150	16.7	12.7	9.9	7.9	6.5	5.4
WAQ0005/24/...		24"	8" x 10"	5 1/2" X 7 1/2"	3/4" O.D.	1.5" x 3 1/2"	28	-	-	-	-	-	-	
WAQ0006/30/...		30"	8" x 10"	5 1/2" X 7 1/2"	3/4" O.D.	1.5" x 3 1/2"	31	-	-	-	-	-	-	

(1) Effective Projected Area (EPA). Satisfactory performance of Wall Arm is dependent upon the Wall Arm being properly attached to a supporting foundation of adequate design.
 (2) Catalog numbers do not include tenon option or finish.
 (3) Additional arm sizes available with different EPA. Consult factory for options.

Tenon Codes:

Pole Tenons are designed for single luminaire mounting. When eccentric loads or multiple luminaires mounting is required, contact factory for evaluation.

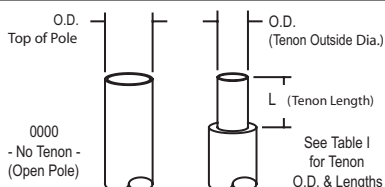


Table I (Dash Numbers)

O.D. (Tenon Outside Dia.)	XX XX	L (Tenon Length)
24 = Ø 2 3/8"	30 = 3"	30 = 3"
30 = Ø 3"	35 = 3 1/2"	35 = 3 1/2"
00 = No Tenon (Open Pole)	etc ...	etc ...
	95 = 9 1/2"	95 = 9 1/2"

Examples:
 2430 = Ø2 3/8" O.D. x 3" L
 3045 = Ø3" O.D. x 4 1/2" L
 3010 = Ø3" O.D. x 10" L
 0000 = Open Pole (No Tenon)

Work Sheet

Custom Aluminum Pole Tenon Request Form

Please fill in the following work sheet for each pole tenon configuration and send back to Lumenton when eccentric loads or multiple luminaires mounting is required for evaluation (for aluminum poles with tenons).

Also available on-line at http://www.lumenton.com/forms/worksheet_custom_tenon.pdf.

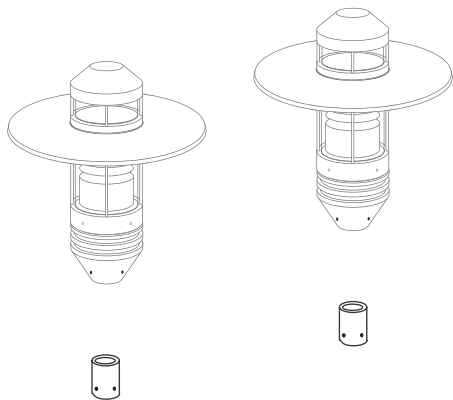
Please note that the custom aluminum pole tenon request form needs to be evaluated prior to the Order Agreement.

Information: (Please Print)	Date _____
Company Name (Sold To) _____	Account No. _____
Company P.O. No _____	Phone No. _____
Contact Person _____	Fax No. _____
Job _____	Email _____

Be sure to include the the Lumenton Catalog number and Qty. for each item.

(a) If any of the below equipment (Luminaire, Flood Light, Brackets or Adapters, etc.) are not a Lumenton product then please also included the Weight and E.P.A. for each item.

1) Job site E.P.A. (MPH) _____



2) Luminaire Cat. No. (a)
(e.g. PT940/MH100/120/B)

_____ QTY _____

E.P.A (per one Luminaire) _____

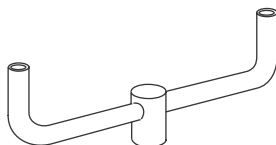
Weight (per one Luminaire) _____

3) Accessory Cat. No. (a)
(e.g. PA0016-244550/B)

_____ QTY _____

E.P.A (per one accessory) _____

Weight (per one accessory) _____



4) Bracket Cat. No. (a)
(e.g. PA0002-244530/B)

_____ QTY _____

_____ 1 _____

E.P.A (per one accessory) _____

Weight (per one accessory) _____



5) Pole Cat. No.
(e.g. POARH/6060C/18/3060/B)

_____ QTY _____

_____ _____

Lumenton Fax: 310.904.0203



Work Sheet

Custom Banner Arm Request Form

Please fill in the following work sheet for each pole / banner configuration and send back to Lumenton for your custom arm request. Use only one work sheet for each pole / banner arm configuration. We will inform you of the Poles new EPA and Banner Arm Diameter. Also available on-line at http://www.lumenton.com/forms/worksheet_banner_arms.pdf. Please note that the custom arms request form needs to be evaluated prior to the Order Agreement.

Information: (Please Print)		Date _____
Company Name (Sold To) _____	Account No. _____	
Company P.O. No _____	Phone No. _____	
Contact Person _____	Fax No. _____	
Job _____	Email _____	
Type _____		

1) Job site E.P.A. (MPH) _____ Pole Qty. _____

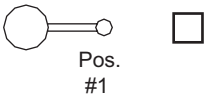
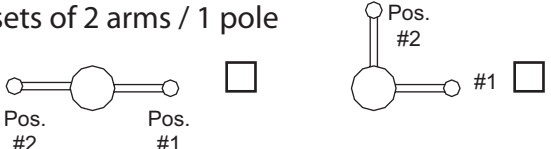

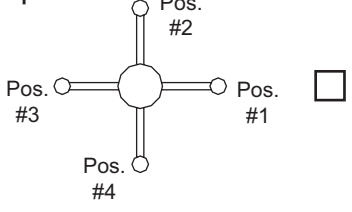
2) Pole Cat. No. (e.g. POARH/6060C/18/3060/B) _____

If there is any other equipment (Luminaires, Flood Lights, Brackets, accessories, etc.) please list below.

3) Do you want a breakaway banner arm (bottom arm only) ? Please check if YES only. YES

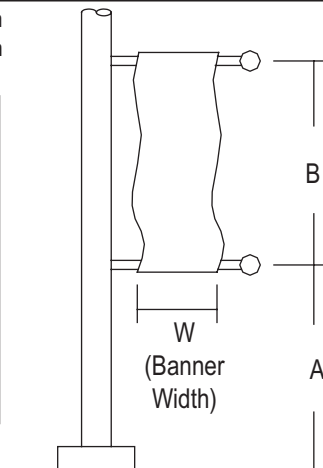
Breakaway Banner MPH (if different than 40 to 50 MPH): _____ MPH

4) Please check only one (1) box below for your pole / banner arm configuration. Use only one work sheet for each pole / banner arm configuration.

<p>1 set of 2 arms / 1 pole</p> 	<p>2 sets of 2 arms / 1 pole</p> 
<p>3 sets of 2 arms / 1 pole</p> 	<p>4 sets of 2 arms / 1 pole</p> 


5) Please fill in the dimension (feet and/or inches... e.g 3'- 6", 48", etc.) for each banner arm position (as required). If all the dimensions for the arms (A, B & W) are the same then fill in one column only.

	Position #1	Position #2	Position #3	Position #4
A				
B				
W				



Lumenton Fax: 310.904.0203



Lumenton, Inc.		A Division of EEMA Industries, Inc.			
Los Angeles	California	Phone: 888.458.6368	Fax: 888.758.6368	info@lumenton.com	
Product specifications subject to change without notice. ©2006 Lumenton Lighting, Inc. DBA General Lighting Company. All Rights Reserved.					