

To our customers,

Old Company Name in Catalogs and Other Documents

On April 1st, 2010, NEC Electronics Corporation merged with Renesas Technology Corporation, and Renesas Electronics Corporation took over all the business of both companies. Therefore, although the old company name remains in this document, it is a valid Renesas Electronics document. We appreciate your understanding.

Renesas Electronics website: <http://www.renesas.com>

April 1st, 2010
Renesas Electronics Corporation

Issued by: Renesas Electronics Corporation (<http://www.renesas.com>)

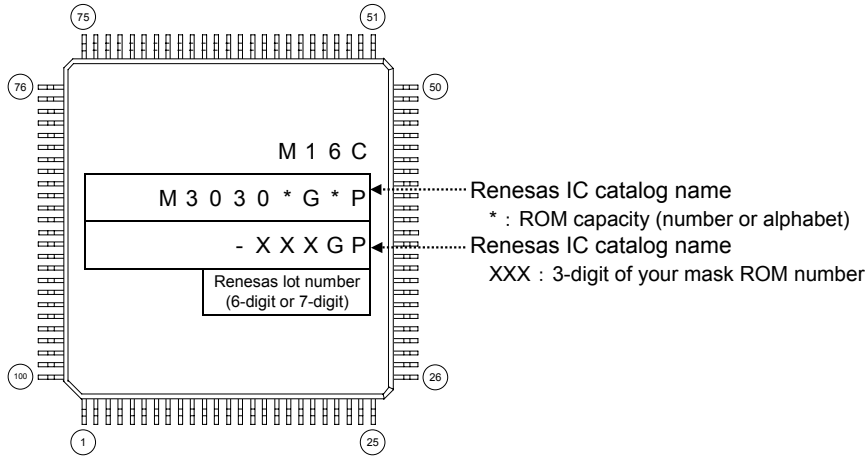
Send any inquiries to <http://www.renesas.com/inquiry>.

100P6Q(100-PIN LQFP)MARK SPECIFICATION FORM <M16C/30P Only> One Time Flash only

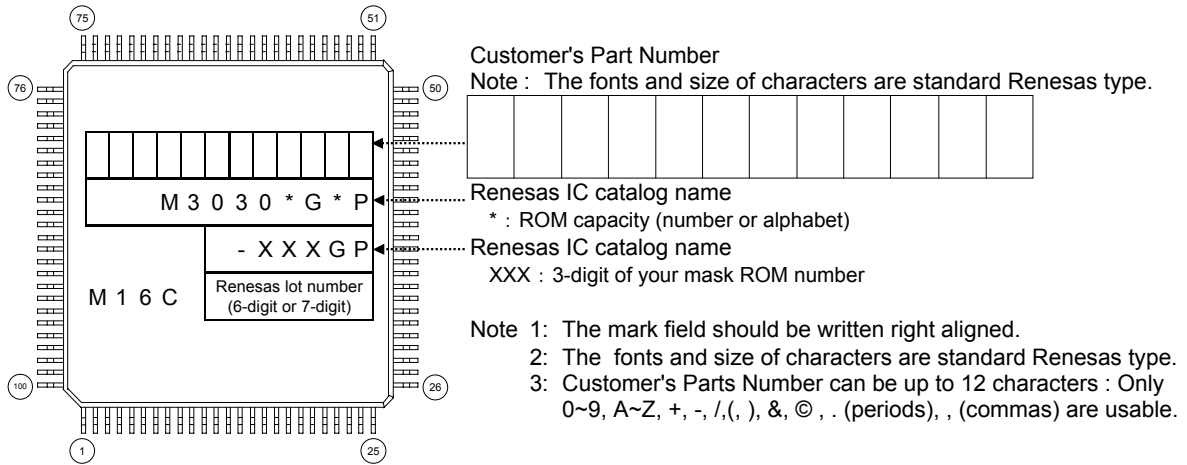
Renesas IC catalog name

Please choose one of the marking types below (A, B), and enter the Renesas catalog name and the Customer's Parts Number. (if needed).

A. Standard Renesas Mark



B. Customer's Parts Number + Renesas catalog name



We can't deal with special font marking (customer's trademark etc.) in this microcomputer.